



US00D529950S

(12) **United States Design Patent**
Katayama et al.

(10) **Patent No.:** **US D529,950 S**

(45) **Date of Patent:** **** Oct. 10, 2006**

(54) **PRINTER**

(75) Inventors: **Shigeharu Katayama**, Kakamigahara (JP); **Yasutake Yamaguchi**, Chiryu (JP); **Yousuke Mase**, Chita-gun (JP); **Shinji Kojima**, Nagoya (JP)

(73) Assignee: **Brother Industries, Ltd.**, Nagoya (JP)

(**) Term: **14 Years**

(21) Appl. No.: **29/225,710**

(22) Filed: **Mar. 21, 2005**

(30) **Foreign Application Priority Data**

Sep. 30, 2004 (JP) 2004-029828

(51) **LOC (8) Cl.** **14-02**

(52) **U.S. Cl.** **D18/50**

(58) **Field of Classification Search** D18/36-39, D18/51, 53-54, 54.1, 55; D14/420-425, D14/462-470; 399/107; 400/613, 613.1-613.4, 400/691.1-691.4, 691-694
See application file for complete search history.

(56) **References Cited**

U.S. PATENT DOCUMENTS

D271,202 S * 11/1983 Endt D14/368

D286,050 S	*	10/1986	Roots et al.	D14/368
D368,255 S	*	3/1996	Sasaki et al.	D14/420
6,068,420 A	*	5/2000	Austin et al.	400/693
D435,849 S	*	1/2001	Tasi	D14/422
D442,963 S	*	5/2001	Salazar et al.	D14/420
D444,811 S	*	7/2001	Yamamoto	D18/50
D470,164 S	*	2/2003	Obata	D18/50
D519,151 S	*	4/2006	Tashiro	D18/54
D519,549 S	*	4/2006	Tanio	D18/50

* cited by examiner

Primary Examiner—Cathy Anne MacCormac

(74) *Attorney, Agent, or Firm*—Oliff & Berridge, PLC

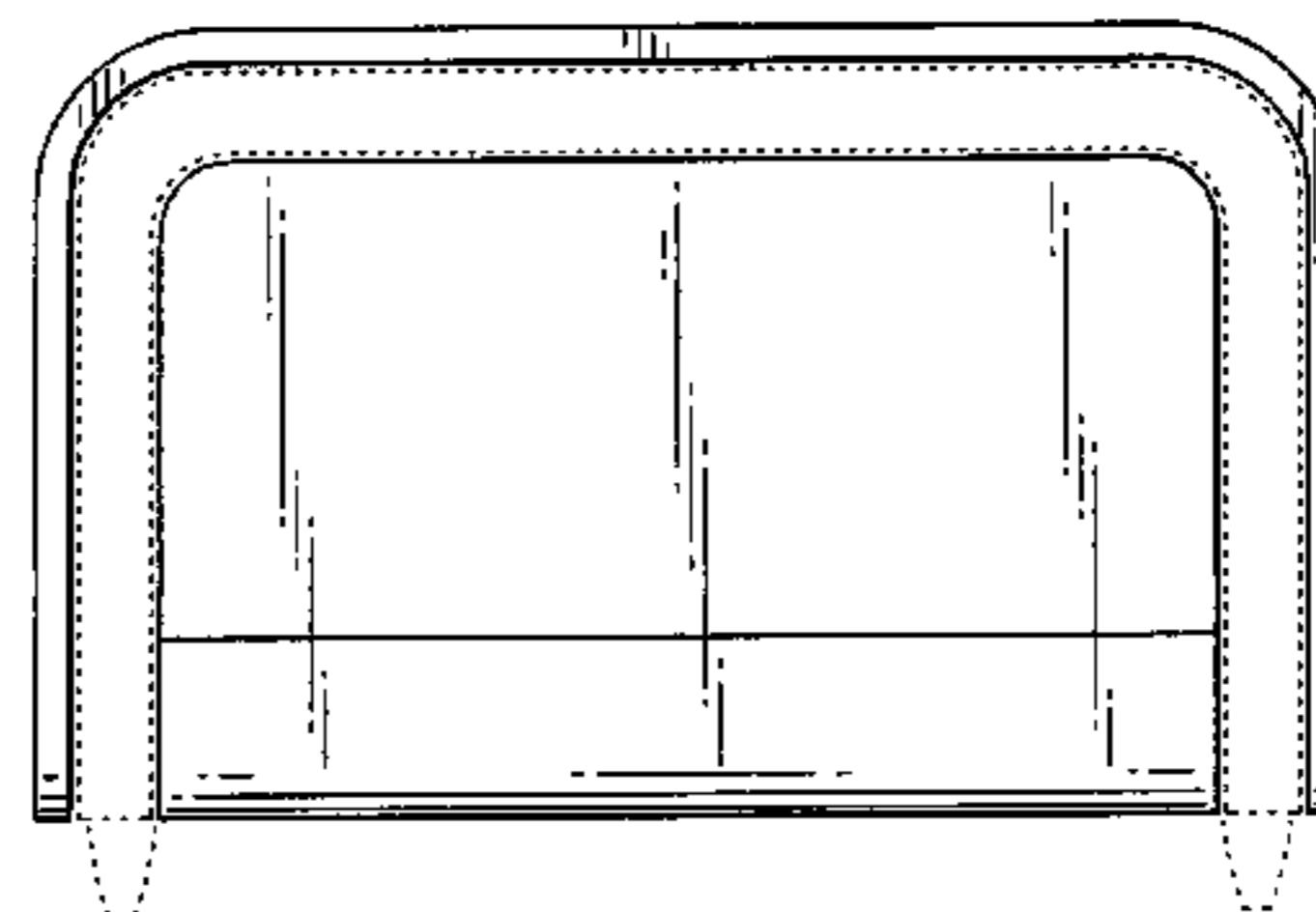
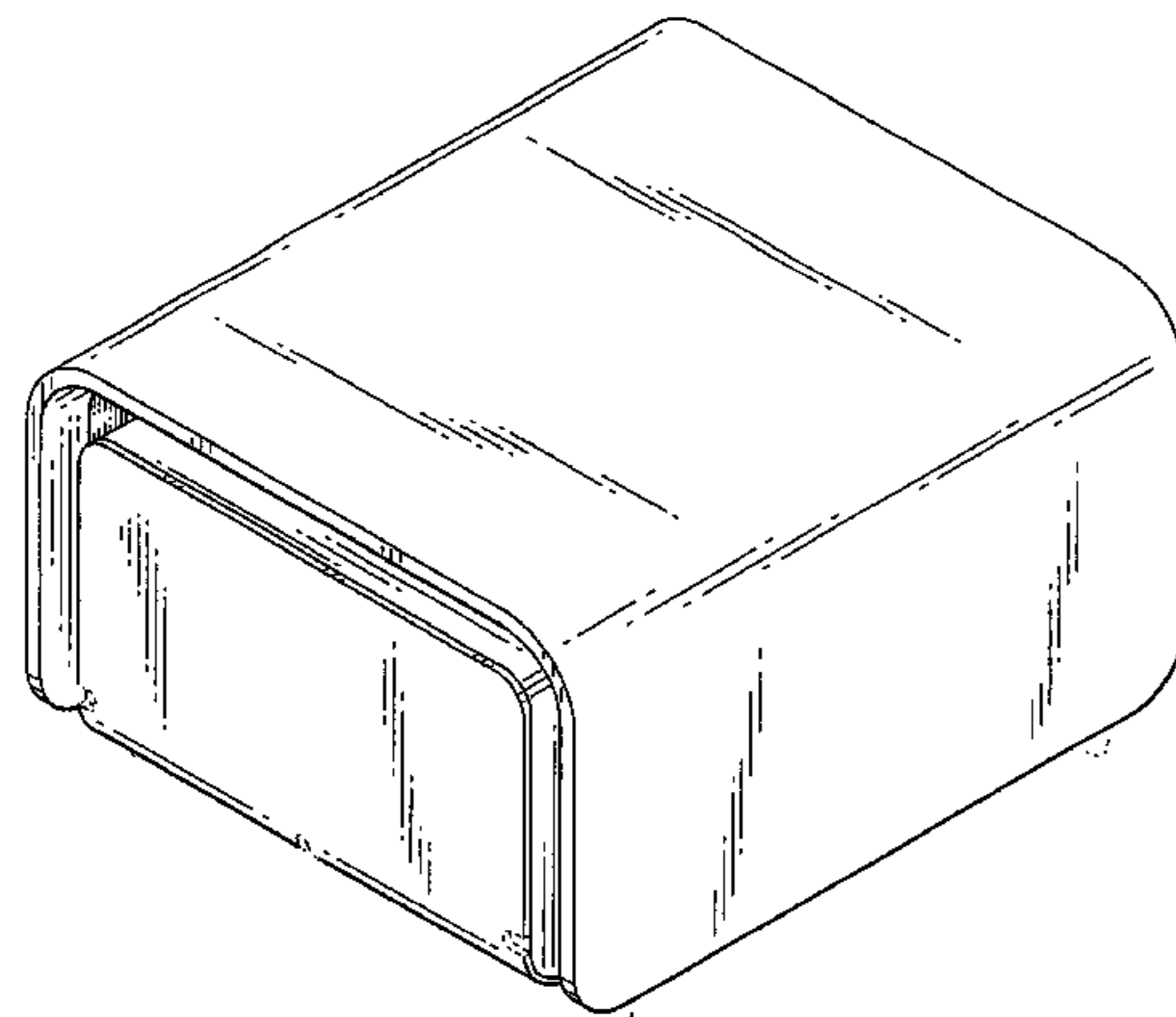
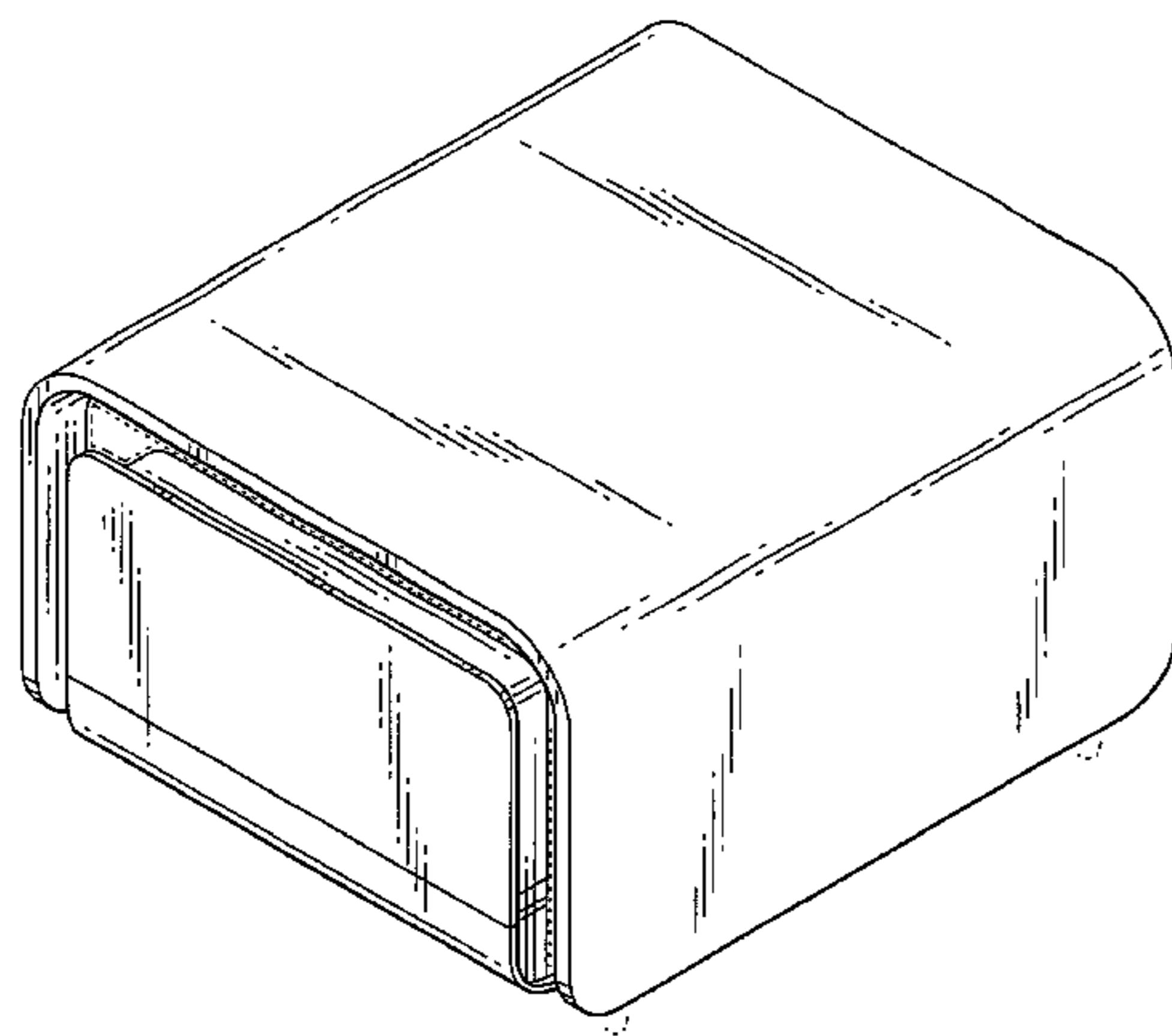
(57) **CLAIM**

The ornamental design for printer, as shown and described.

DESCRIPTION

FIG. 1 is a front perspective view of a printer;
FIG. 2 is a rear perspective view thereof;
FIG. 3 is a front view thereof;
FIG. 4 is a top view thereof;
FIG. 5 is a right side view thereof;
FIG. 6 is a left side view thereof;
FIG. 7 is a rear view thereof; and,
FIG. 8 is a bottom view thereof.
The broken lines are for illustrative purposes only and form no part of the claimed design.

1 Claim, 4 Drawing Sheets



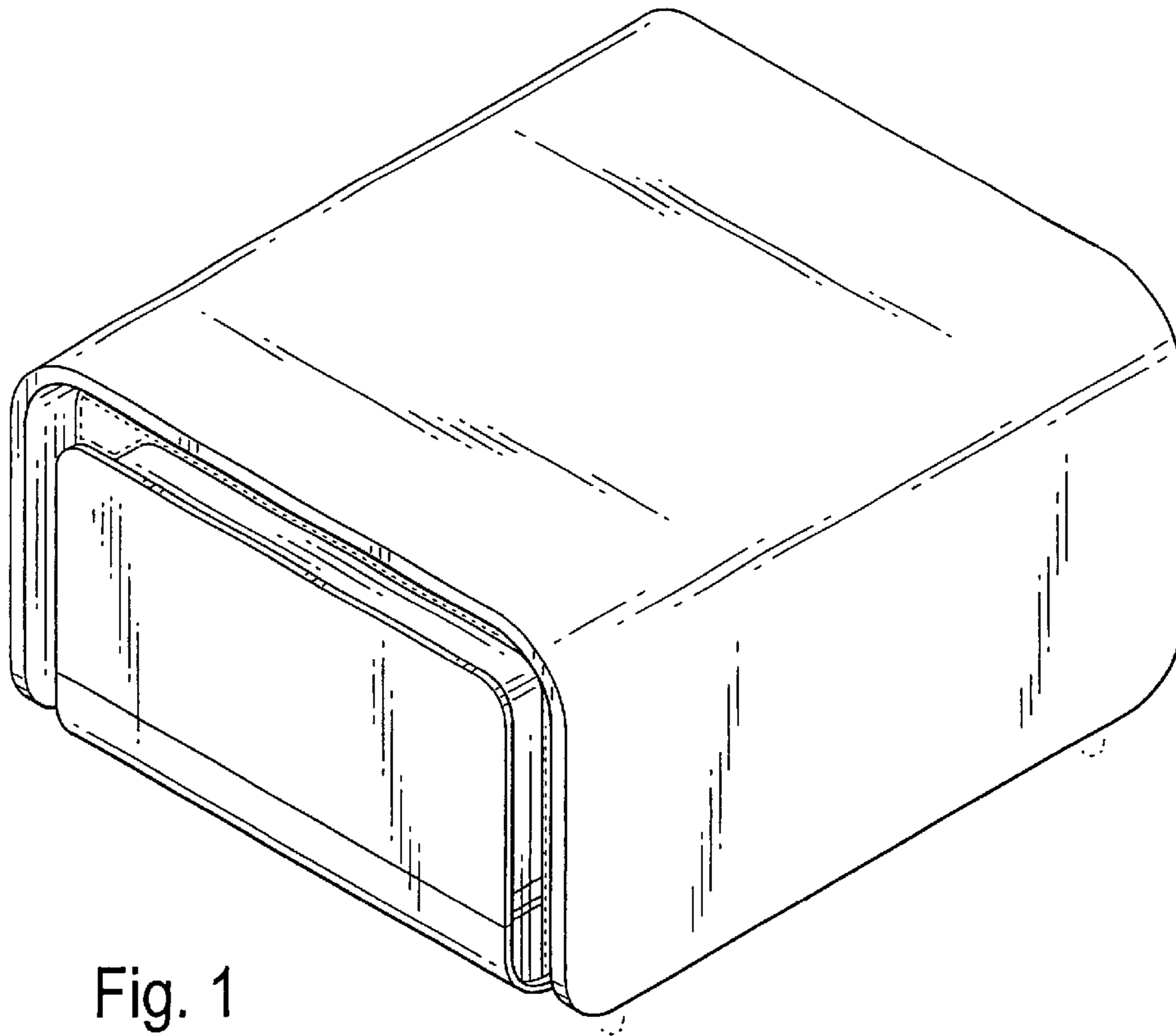


Fig. 1

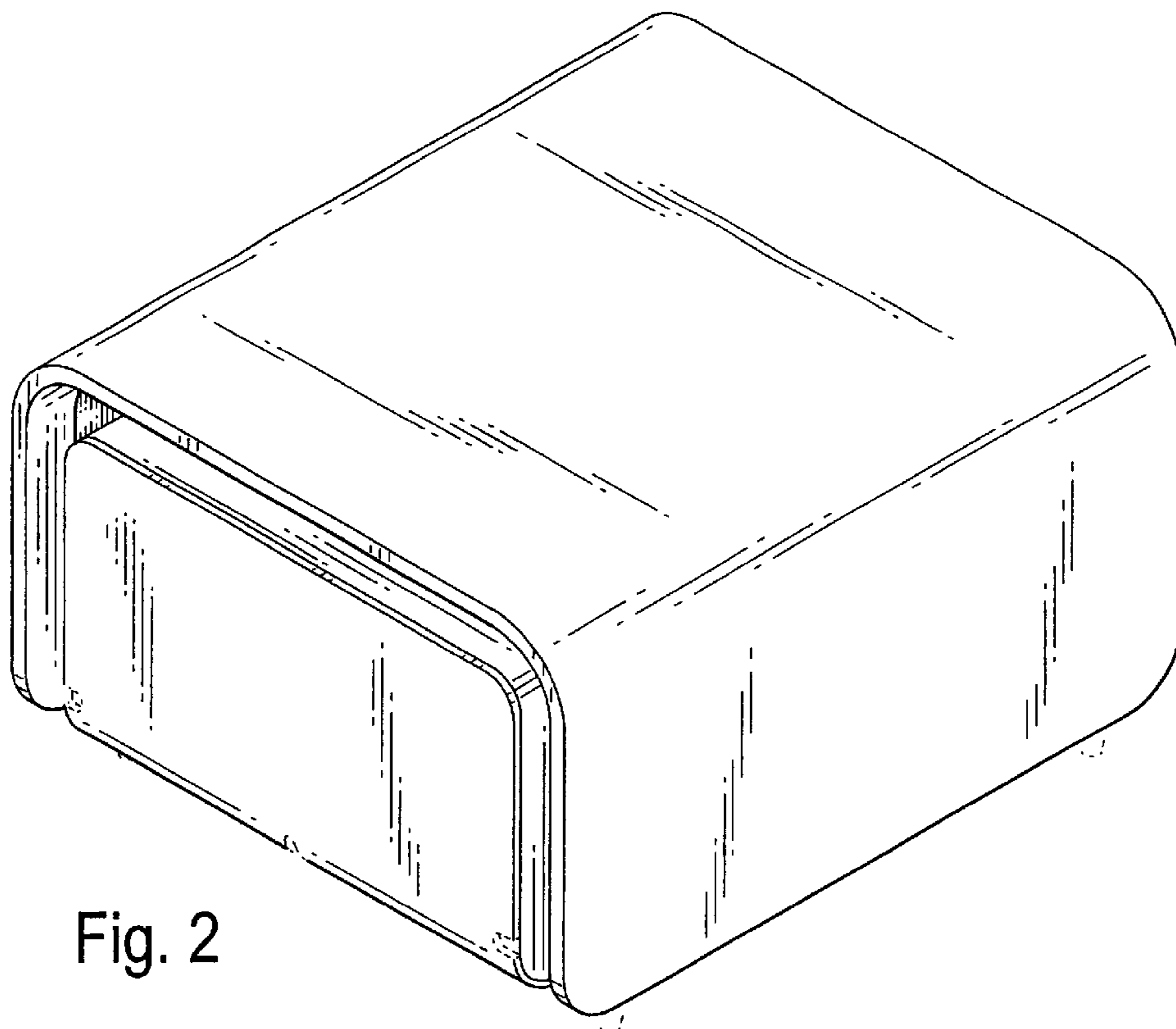


Fig. 2

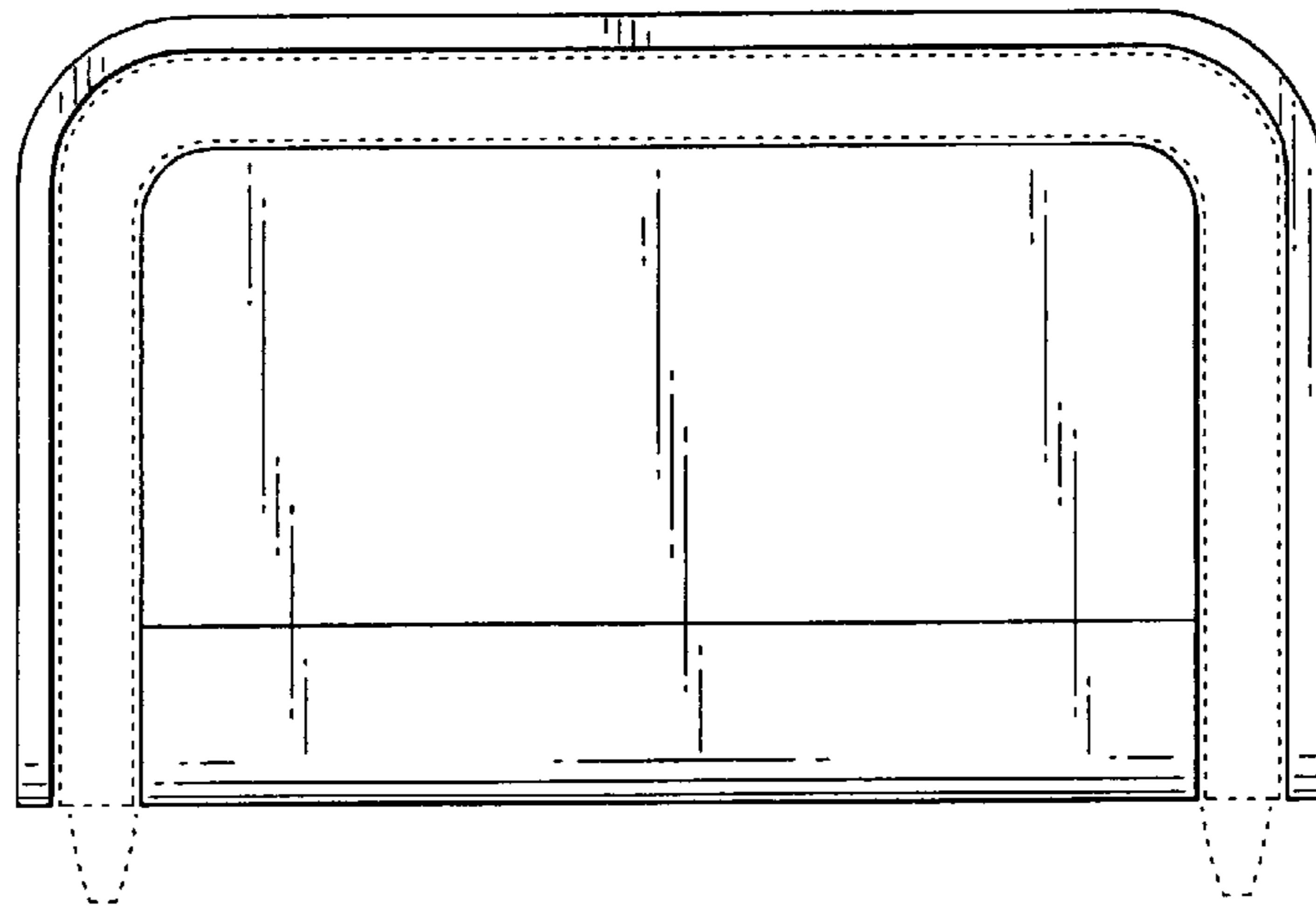


Fig. 3

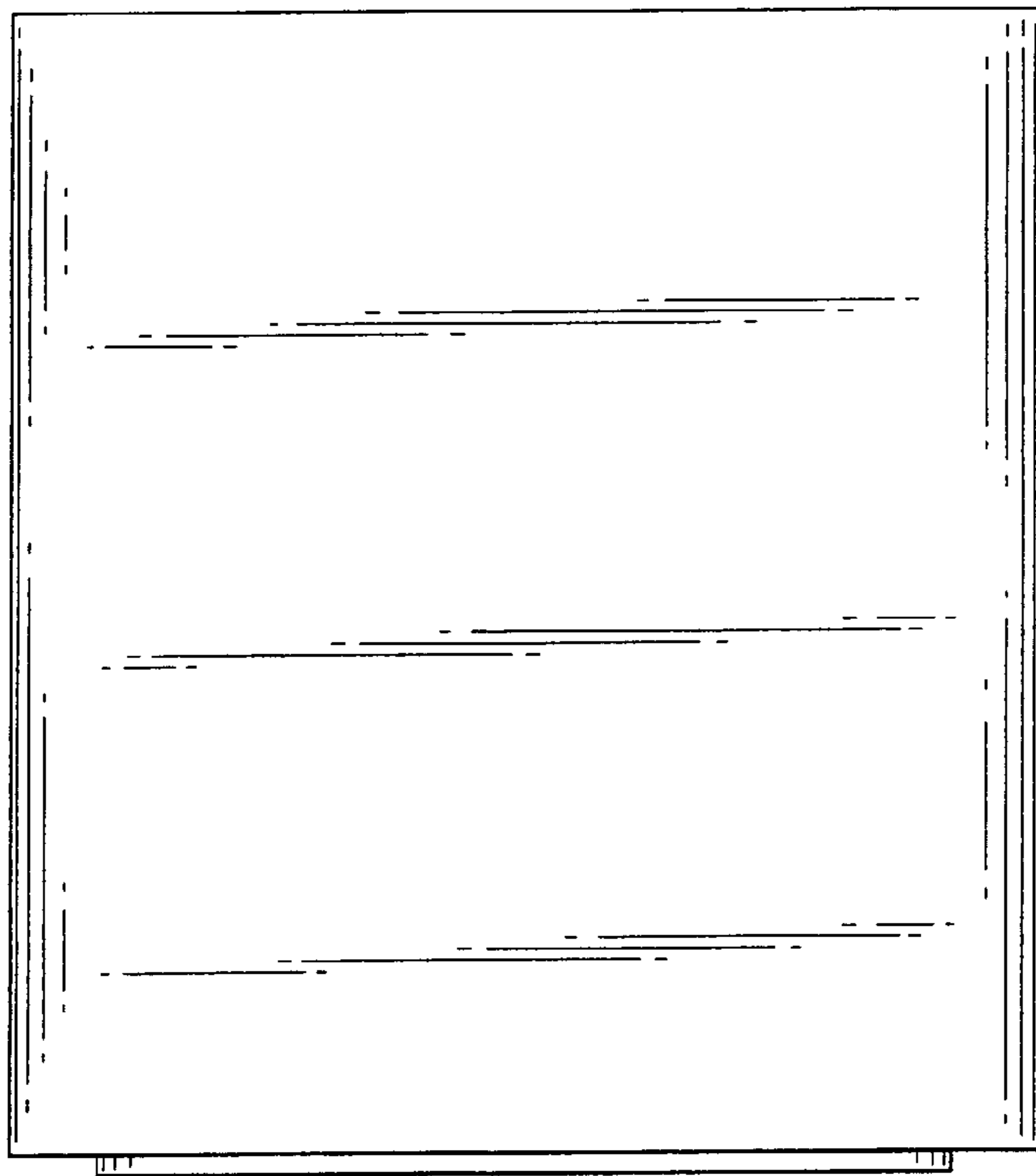


Fig. 4

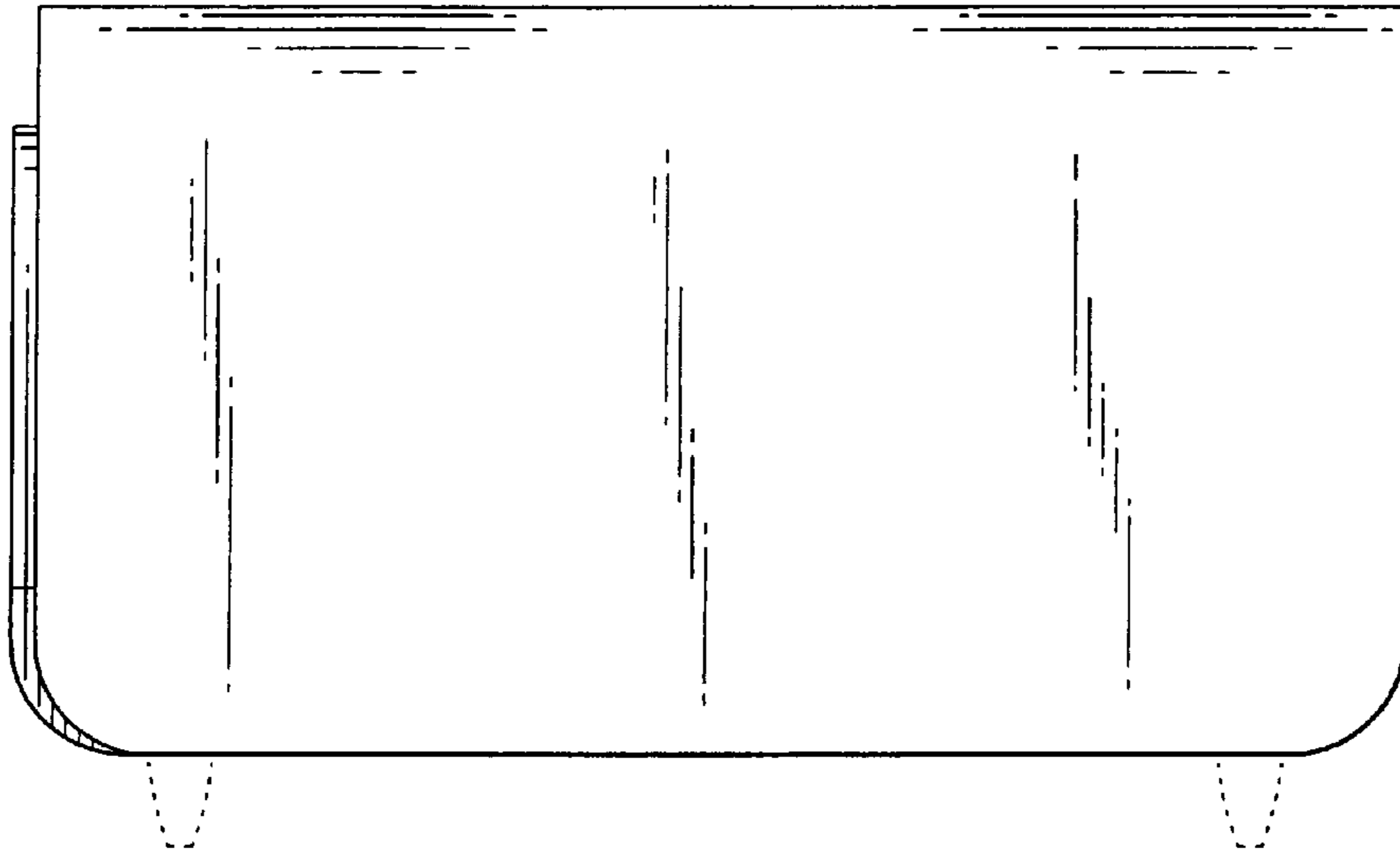


Fig. 5

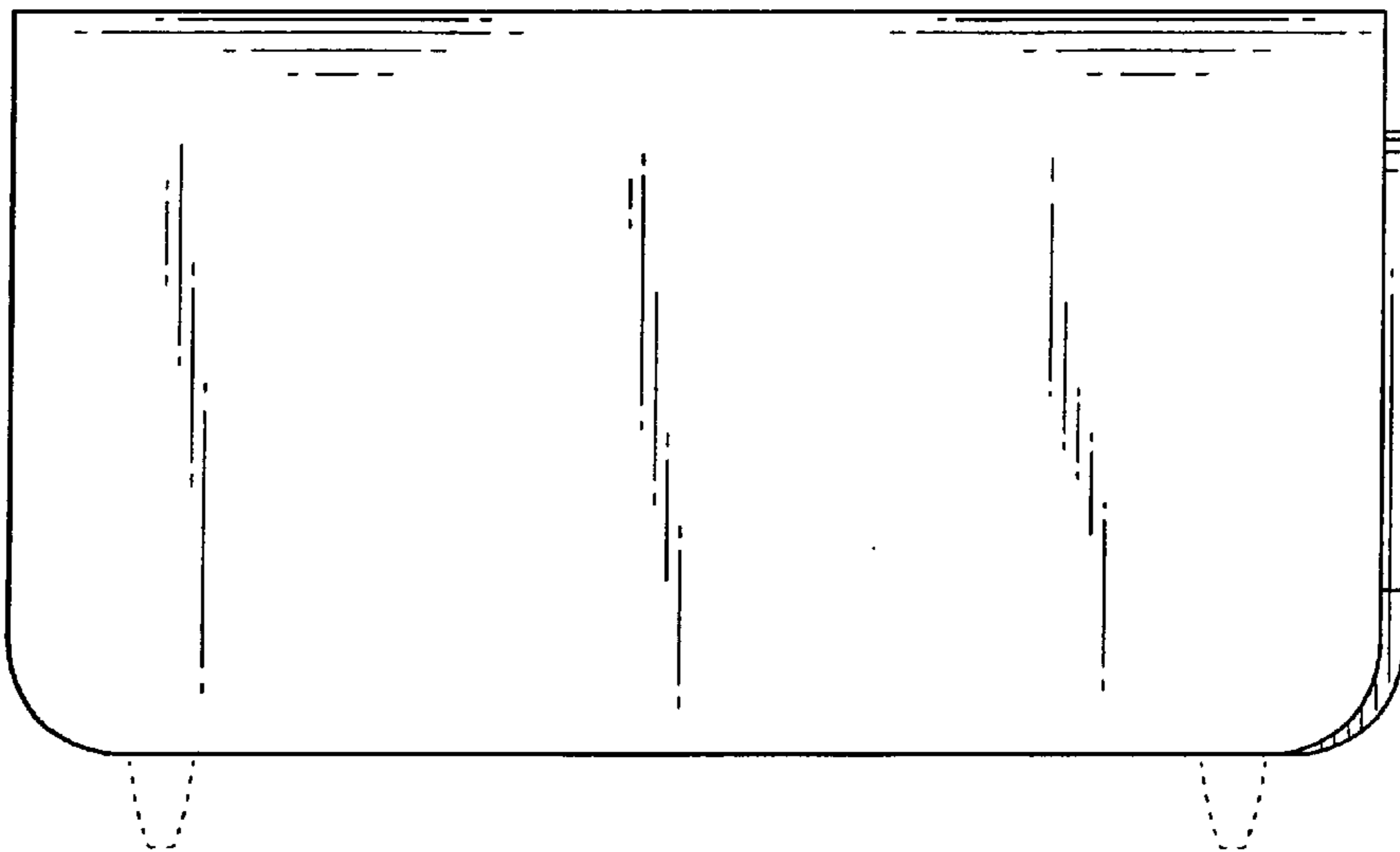


Fig. 6

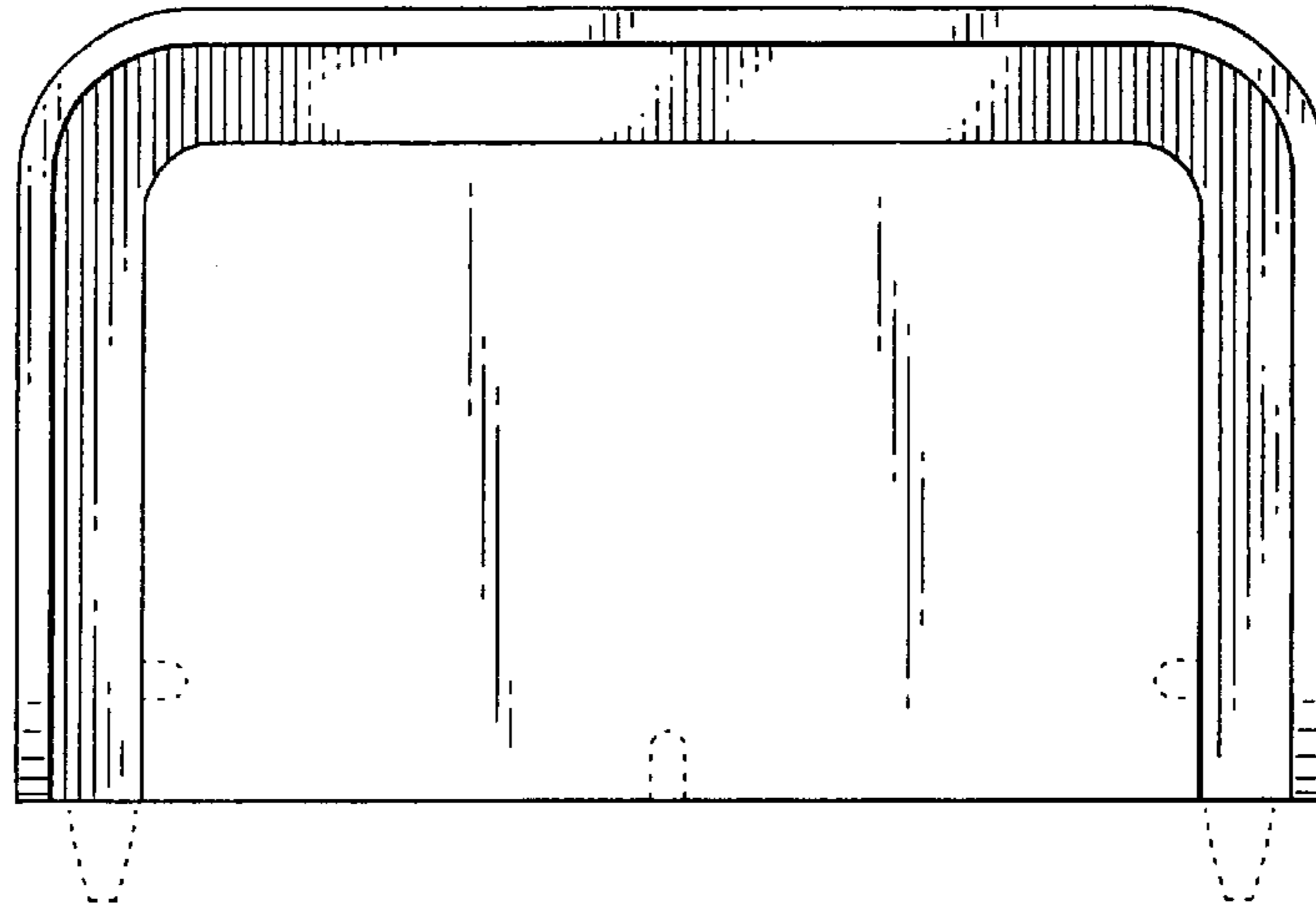


Fig. 7

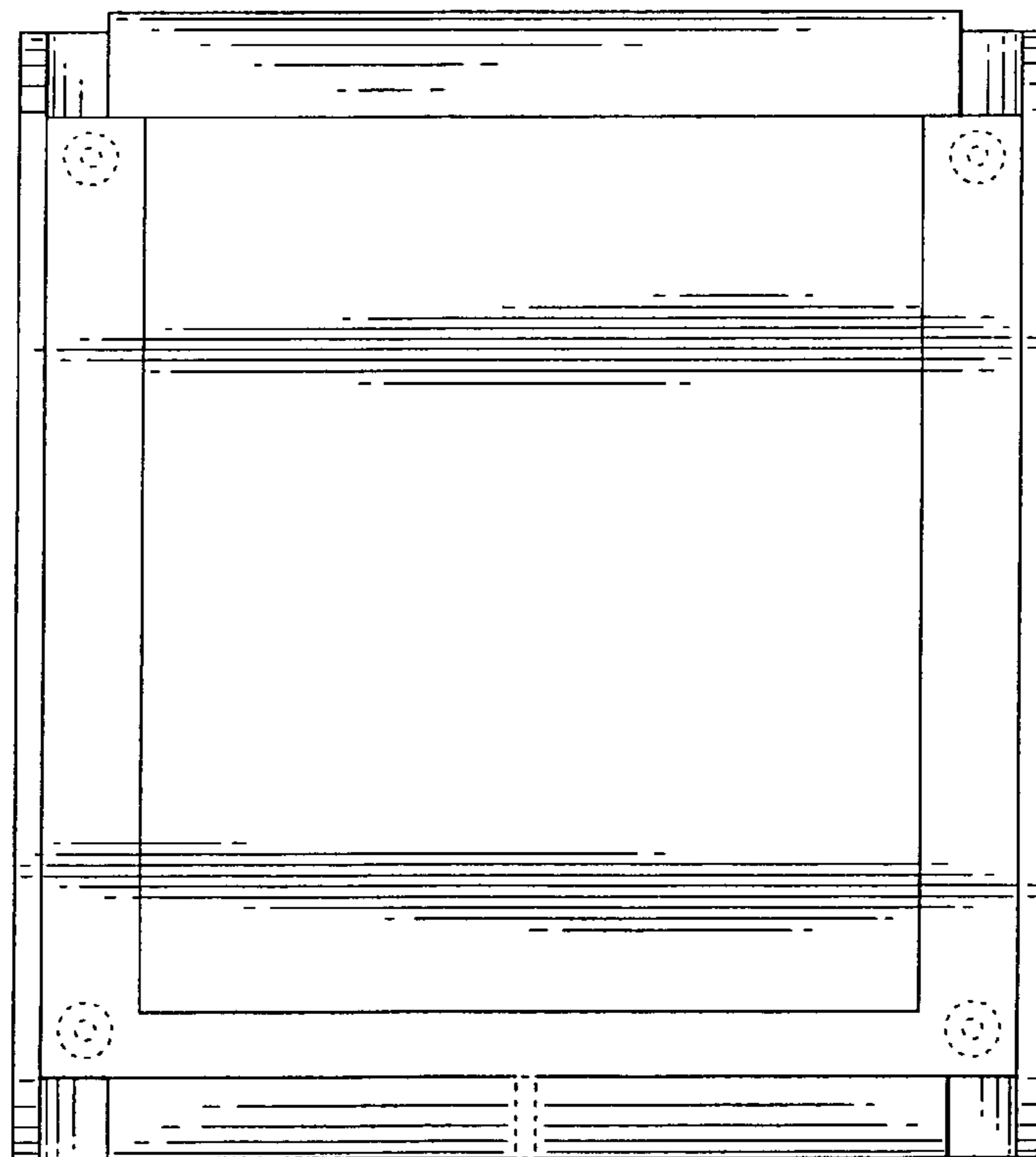


Fig. 8