



US00D529949S

(12) **United States Design Patent**  
**Murakami et al.**

(10) **Patent No.:** **US D529,949 S**  
(45) **Date of Patent:** **\*\* Oct. 10, 2006**

(54) **DEVELOPER SUPPLYING CONTAINER**  
(75) Inventors: **Katsuya Murakami**, Toride (JP);  
**Kyoichi Ando**, Fucu (JP); **Yasuhiro**  
**Morishita**, Nerimia-ku (JP)  
(73) Assignee: **Canon Kabushiki Kaisha**, Tokyo (JP)  
(\*\*) Term: **14 Years**  
(21) Appl. No.: **29/244,363**  
(22) Filed: **Dec. 9, 2005**

(30) **Foreign Application Priority Data**  
Sep. 14, 2005 (JP) ..... 2005-026550  
(51) **LOC (8) Cl.** ..... **16-03**  
(52) **U.S. Cl.** ..... **D18/43**  
(58) **Field of Classification Search** ..... D18/12,  
D18/36, 40, 43, 44, 56; D14/462, 469-471,  
D14/474-484; 222/DIG. 1; 347/49, 86, 87,  
347/197, 214, 222; 399/24-28, 107-112,  
399/119, 222-224; 400/194, 196, 207, 208  
See application file for complete search history.

(56) **References Cited**  
U.S. PATENT DOCUMENTS  
D284,865 S \* 7/1986 Gendron ..... D18/43  
D298,332 S \* 11/1988 Yoshiyama ..... D18/43  
D362,678 S \* 9/1995 Ishibashi et al. .... D18/43  
D386,518 S \* 11/1997 Miyamoto et al. .... D18/43  
D398,634 S \* 9/1998 Katayama et al. .... D18/43  
D399,870 S \* 10/1998 Okada et al. .... D18/43  
5,870,652 A \* 2/1999 Kanamori et al. .... 399/106

D408,845 S \* 4/1999 Harumoto ..... D18/43  
D414,507 S \* 9/1999 Nozawa et al. .... D18/43  
6,021,292 A \* 2/2000 Nakajima et al. .... 222/DIG. 1  
6,185,401 B1 \* 2/2001 Kanamori et al. .... 399/119  
D448,795 S \* 10/2001 Kusanagi et al. .... D18/43  
D451,537 S \* 12/2001 Ozawa et al. .... D18/40  
6,438,345 B1 \* 8/2002 Ban et al. .... 222/DIG. 1  
D466,918 S \* 12/2002 Shiozaki et al. .... D18/43  
6,490,422 B1 \* 12/2002 Harumoto ..... 399/27  
D469,119 S \* 1/2003 Shiba ..... D18/43  
D477,357 S \* 7/2003 Nakajima et al. .... D18/43  
D491,979 S \* 6/2004 Irie et al. .... D18/43

\* cited by examiner

*Primary Examiner*—Caron Veynar  
*Assistant Examiner*—Garth Rademaker  
(74) *Attorney, Agent, or Firm*—Fitzpatrick, Cella, Harper &  
Scinto

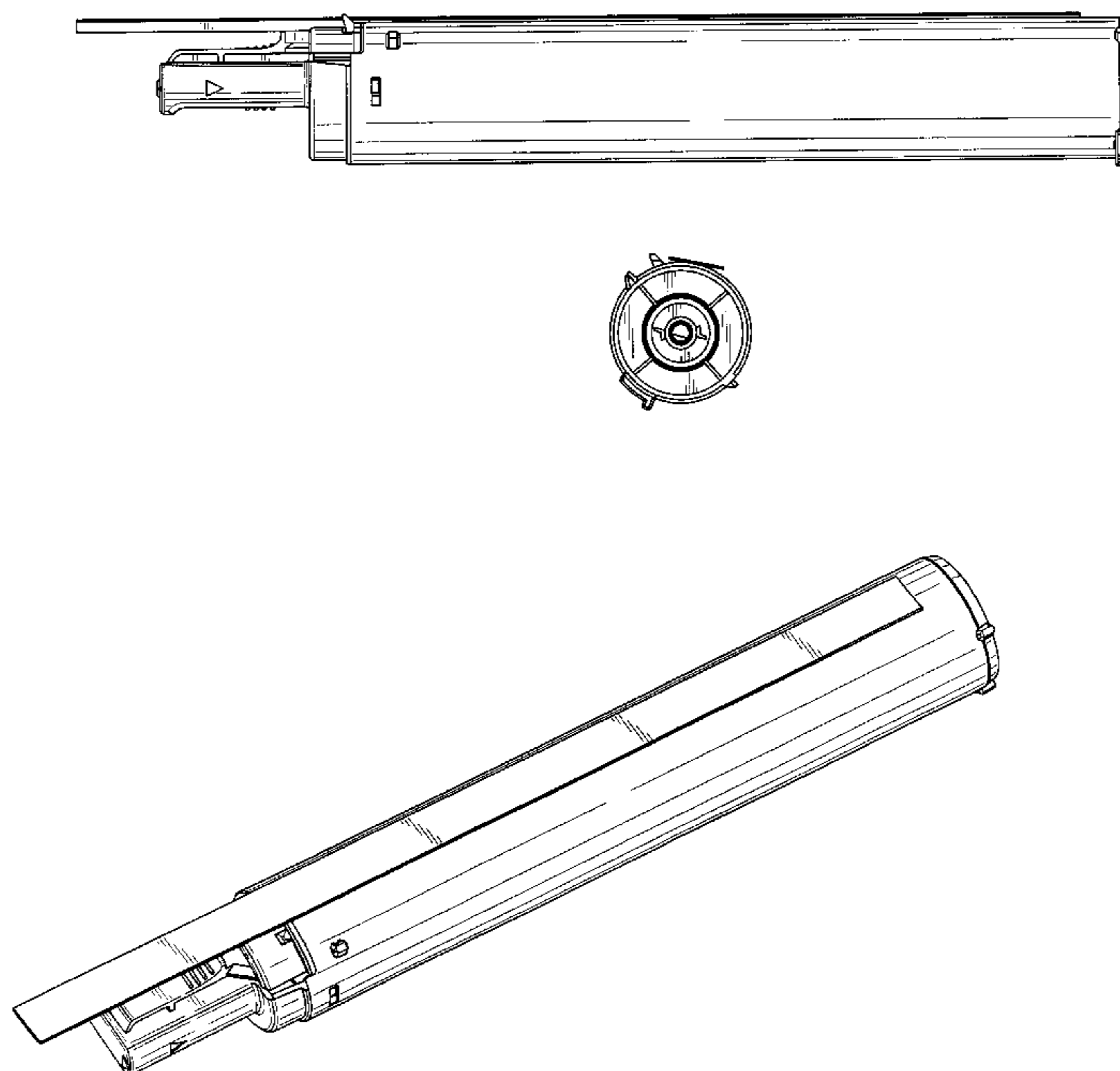
(57) **CLAIM**

The ornamental design for a developer supplying container,  
as shown.

**DESCRIPTION**

FIG. 1 is a front view of a developer supplying container  
showing our new design;  
FIG. 2 is a rear view thereof;  
FIG. 3 is a top plan view thereof;  
FIG. 4 is a bottom plan view thereof;  
FIG. 5 is a left side view thereof;  
FIG. 6 is a right side view thereof; and,  
FIG. 7 is a perspective view thereof.

**1 Claim, 4 Drawing Sheets**



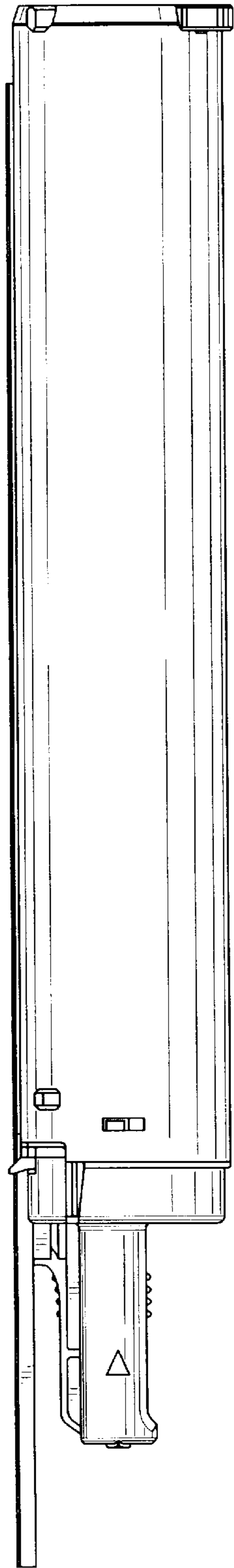


FIG. 1

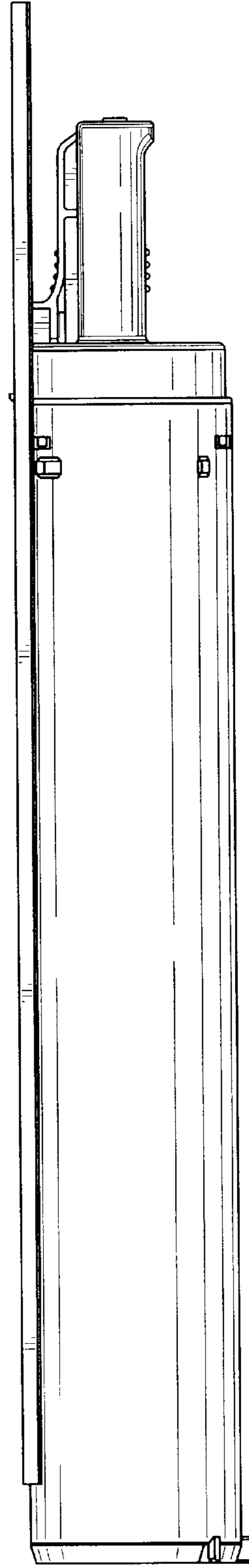


FIG. 2

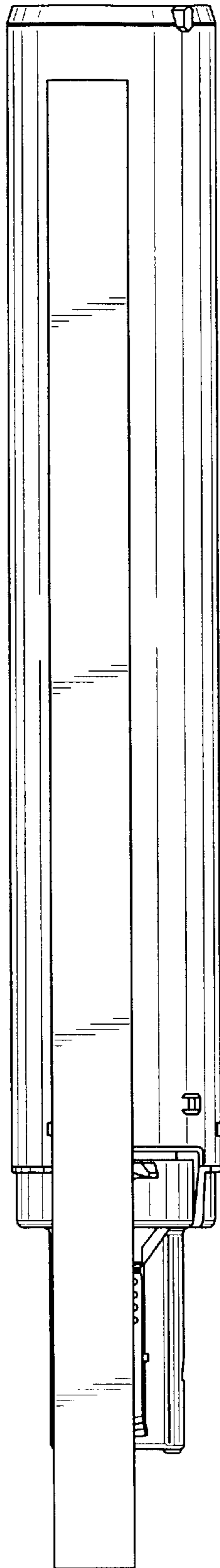


FIG. 3

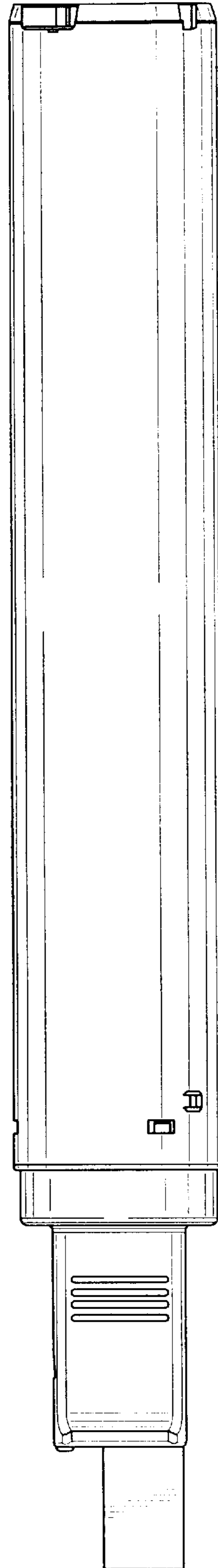
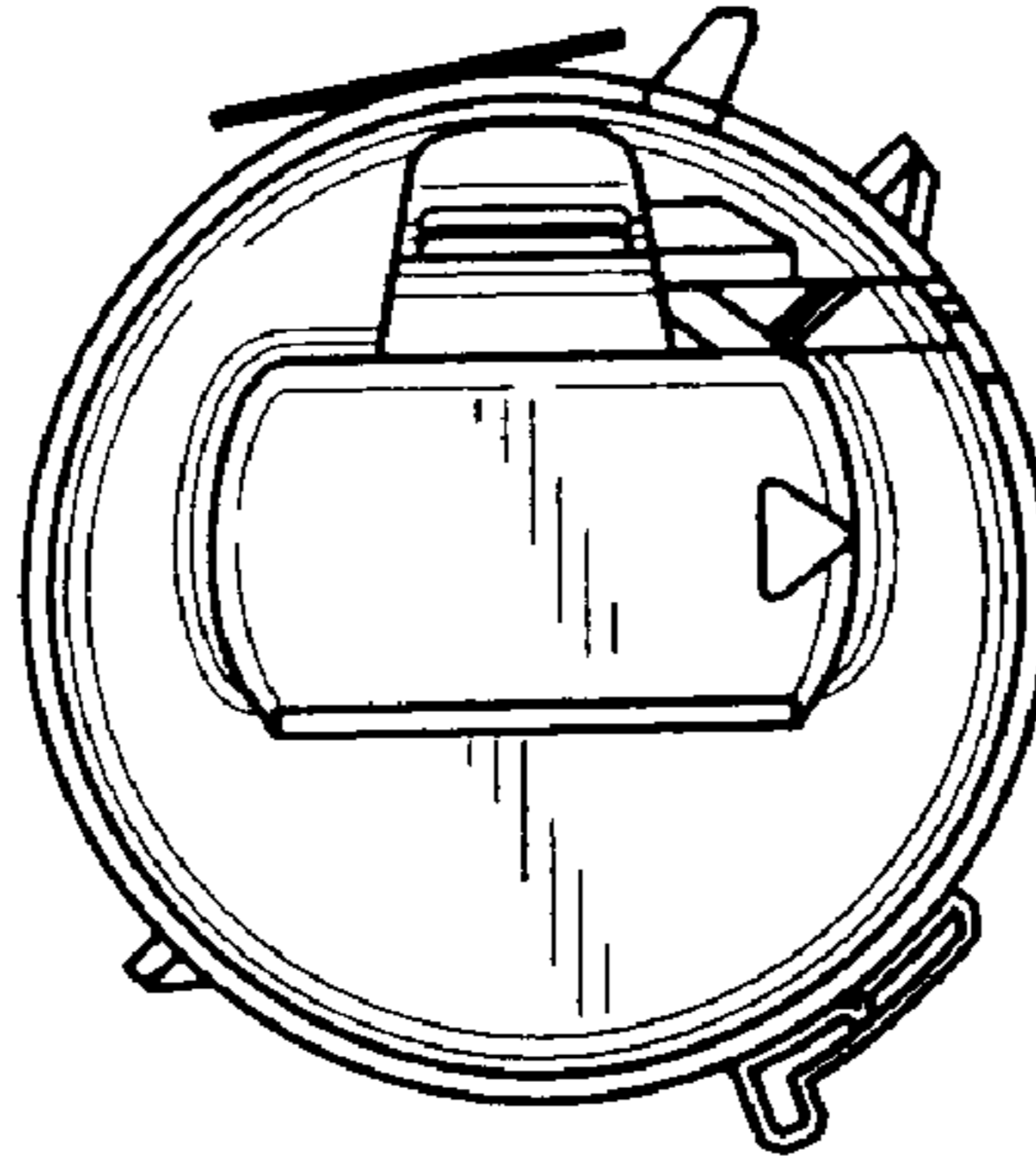
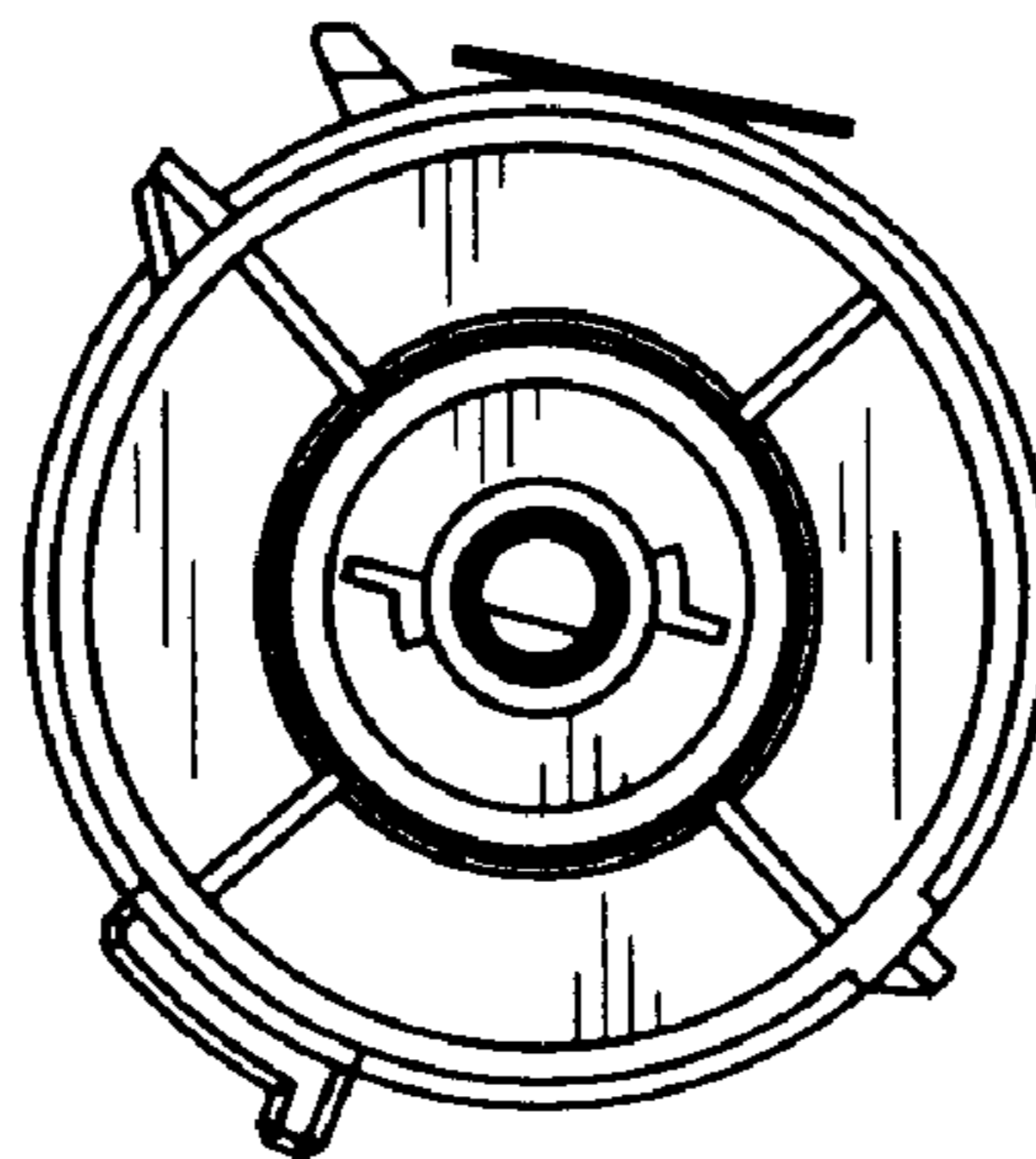


FIG. 4



*FIG. 5*



*FIG. 6*

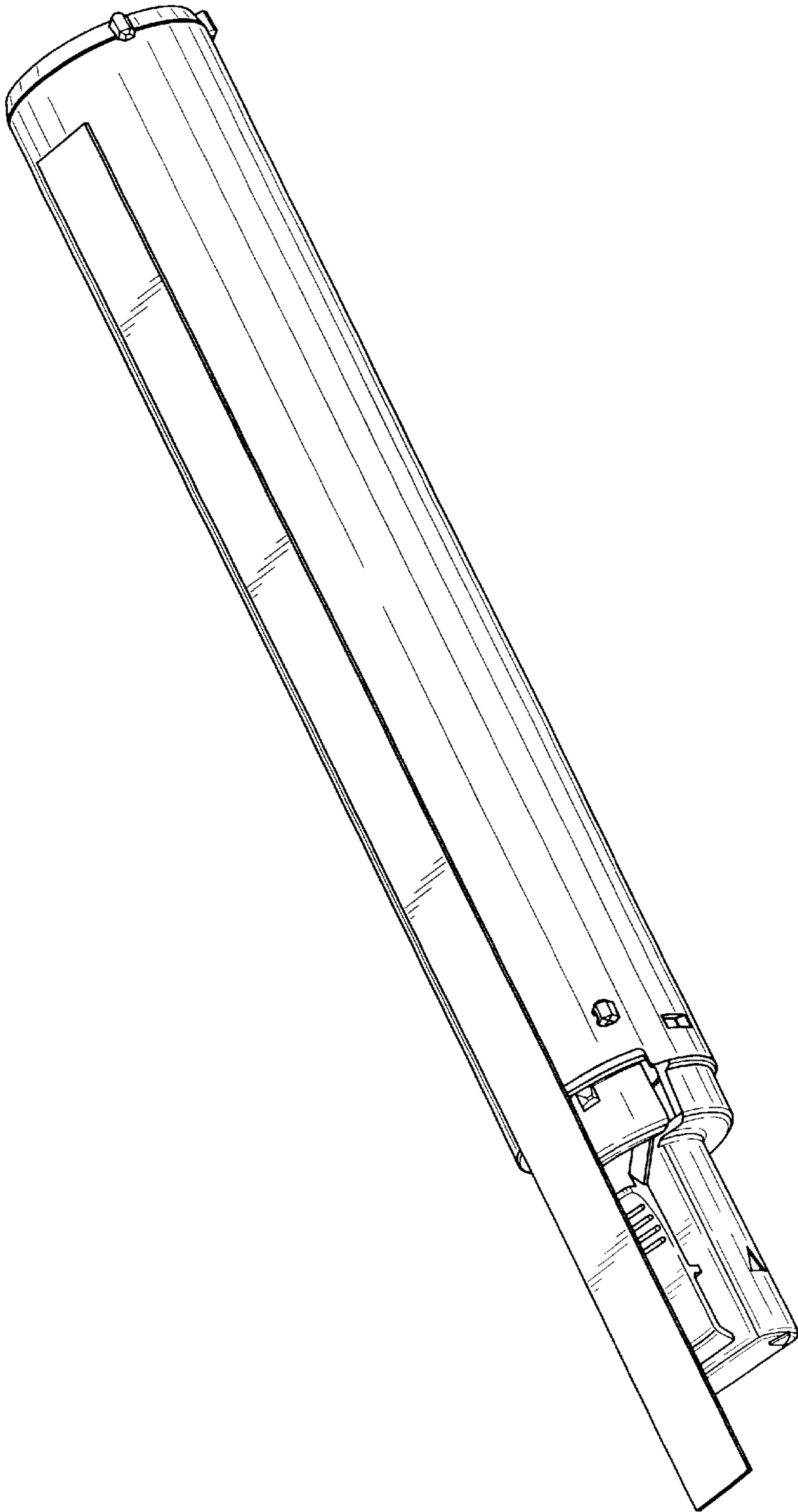


FIG. 7

UNITED STATES PATENT AND TRADEMARK OFFICE  
**CERTIFICATE OF CORRECTION**

PATENT NO. : Des. 529,949 S  
APPLICATION NO. : 29/244363  
DATED : October 10, 2006  
INVENTOR(S) : Katsuya Murakami et al.

Page 1 of 1

It is certified that error appears in the above-identified patent and that said Letters Patent is hereby corrected as shown below:

On Title Page, Item (75) INVENTORS

“Kyoichi Ando, Fucu (JP); Yasuhiro Morishia, Nerimia-ku (JP)” should read  
--Kyoichi Ando, Fuchu (JP); Yasuhiro Morishia, Nerima-ku (JP)--.

Signed and Sealed this

Thirteenth Day of February, 2007

A handwritten signature in black ink on a light gray dotted background. The signature reads "Jon W. Dudas" in a cursive style.

JON W. DUDAS

*Director of the United States Patent and Trademark Office*