



US00D529948S

(12) **United States Design Patent**
Jimba et al.

(10) **Patent No.:** **US D529,948 S**

(45) **Date of Patent:** **** Oct. 10, 2006**

(54) **DEVELOPER SUPPLYING CONTAINER**

(75) Inventors: **Manabu Jimba**, Toride (JP); **Yusuke Yamada**, Moriya (JP)

(73) Assignee: **Canon Kabushiki Kaisha**, Tokyo (JP)

(**) Term: **14 Years**

(21) Appl. No.: **29/244,355**

(22) Filed: **Dec. 9, 2005**

(30) **Foreign Application Priority Data**

Sep. 14, 2005 (JP) 2005-026549

(51) **LOC (8) Cl.** **16-03**

(52) **U.S. Cl.** **D18/43**

(58) **Field of Classification Search** D18/12,
D18/36, 40, 43, 44, 56; D14/462, 469-471,
D14/474-484; 222/DIG. 1; 347/49, 86, 87,
347/197, 214, 222; 399/24-28, 107-112,
399/119, 222-224; 400/294, 196, 207, 208
See application file for complete search history.

(56) **References Cited**

U.S. PATENT DOCUMENTS

- D307,767 S * 5/1990 Tsumuro D18/43
- D310,240 S * 8/1990 Smith D18/43
- D329,659 S * 9/1992 Mizukami et al. D18/43
- D346,819 S * 5/1994 Taniguchi et al. D18/43

- D356,107 S * 3/1995 Watanabe et al. D18/43
- D358,163 S * 5/1995 Nomura D18/43
- D379,194 S * 5/1997 Sundquist et al. D18/43
- D400,915 S * 11/1998 Nomura et al. D18/40
- D410,247 S * 5/1999 Nomura D18/43
- D422,303 S * 4/2000 Takeuchi et al. D18/43
- D422,623 S * 4/2000 Fukuoka D18/12
- D431,593 S * 10/2000 Gumbe D18/40
- D471,582 S * 3/2003 Mori D18/40

* cited by examiner

Primary Examiner—Caron Veynar

Assistant Examiner—Garth Rademaker

(74) *Attorney, Agent, or Firm*—Fitzpatrick, Cella, Harper & Scinto

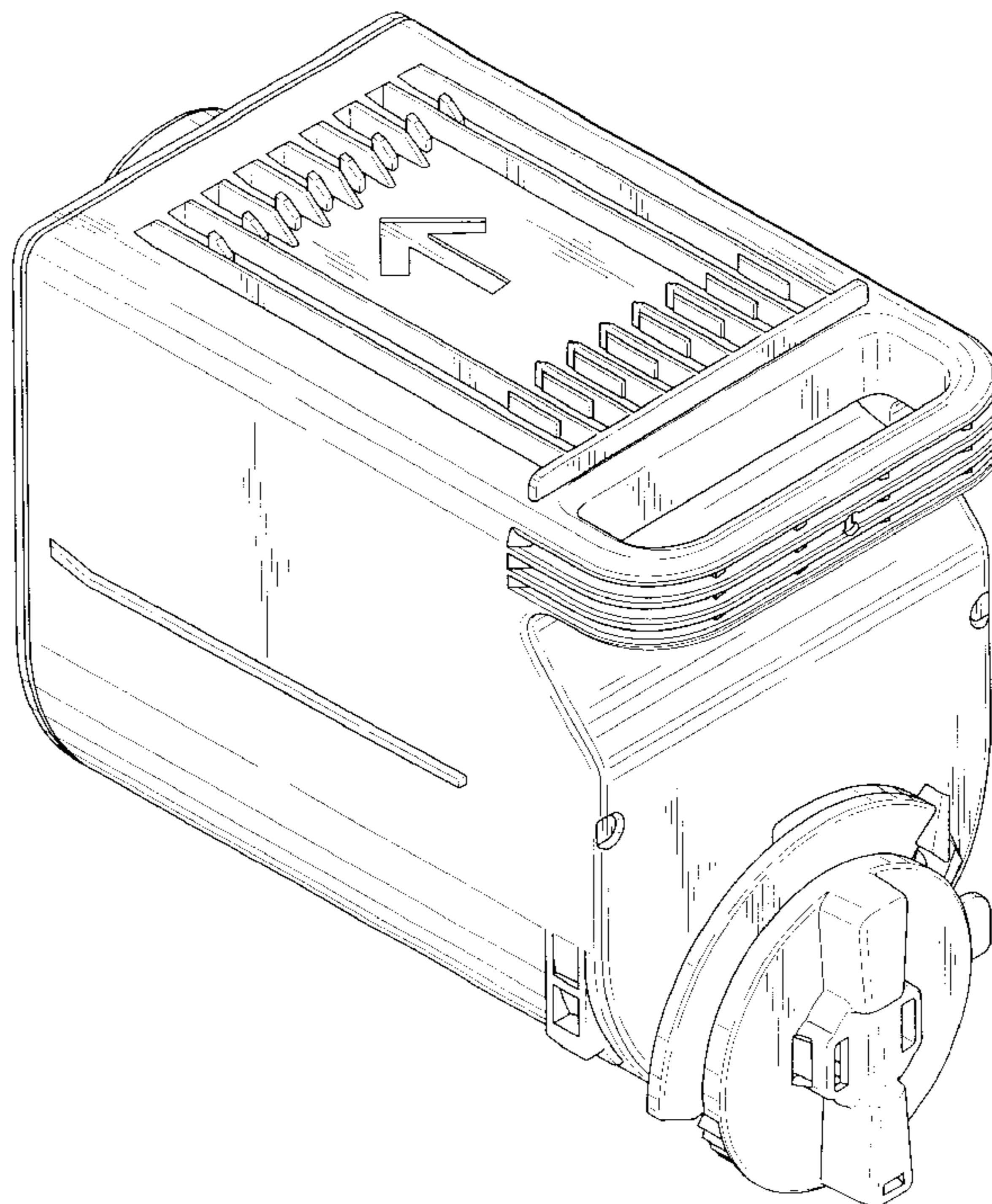
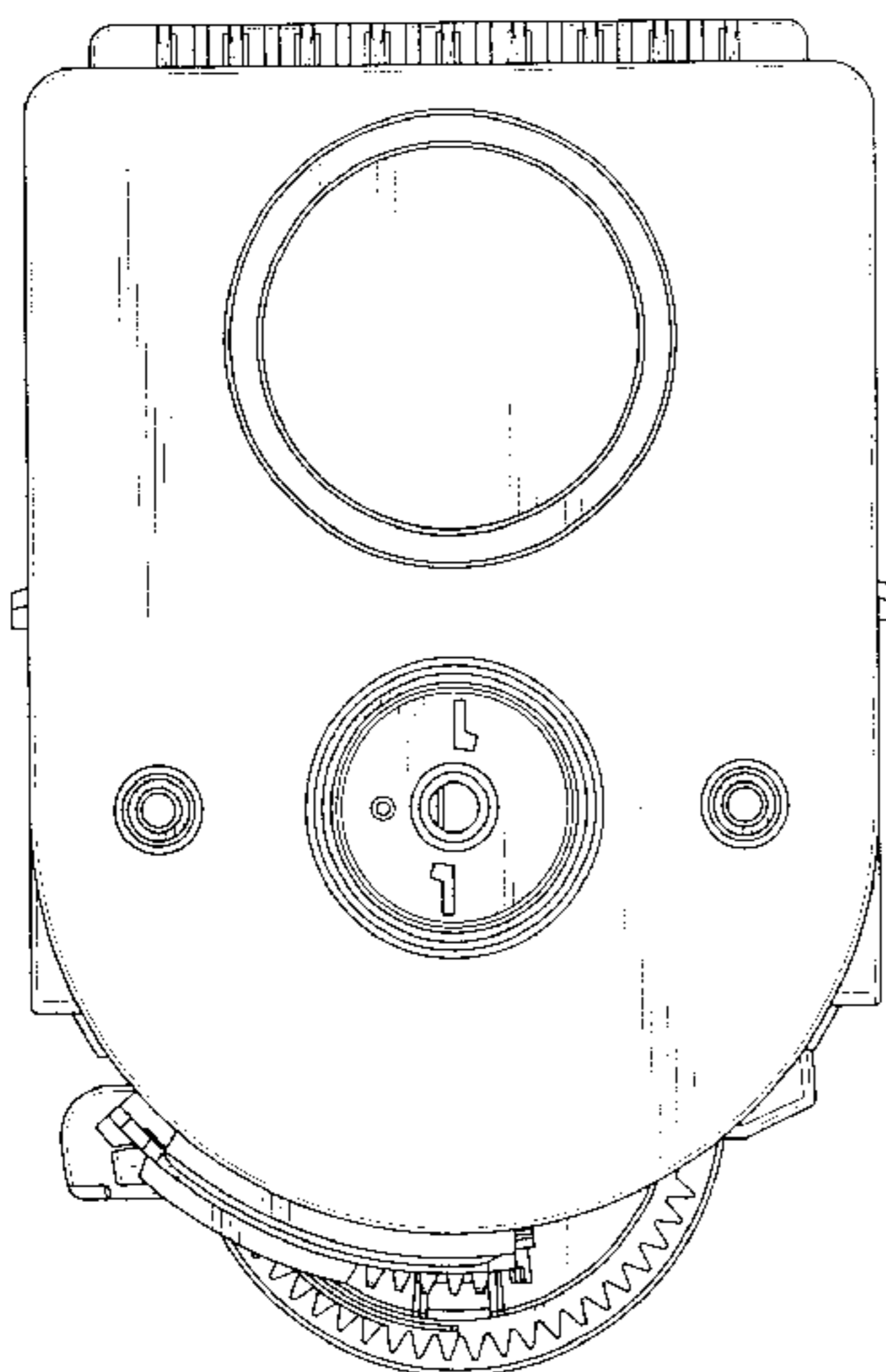
(57) **CLAIM**

The ornamental design for a developer supplying container, as shown.

DESCRIPTION

FIG. 1 is a front view of a developer supplying container showing our new design;
FIG. 2 is a rear view thereof;
FIG. 3 is a top plan view thereof;
FIG. 4 is a bottom plan view thereof;
FIG. 5 is a left side view thereof;
FIG. 6 is a right side view thereof; and,
FIG. 7 is a perspective view thereof.

1 Claim, 7 Drawing Sheets



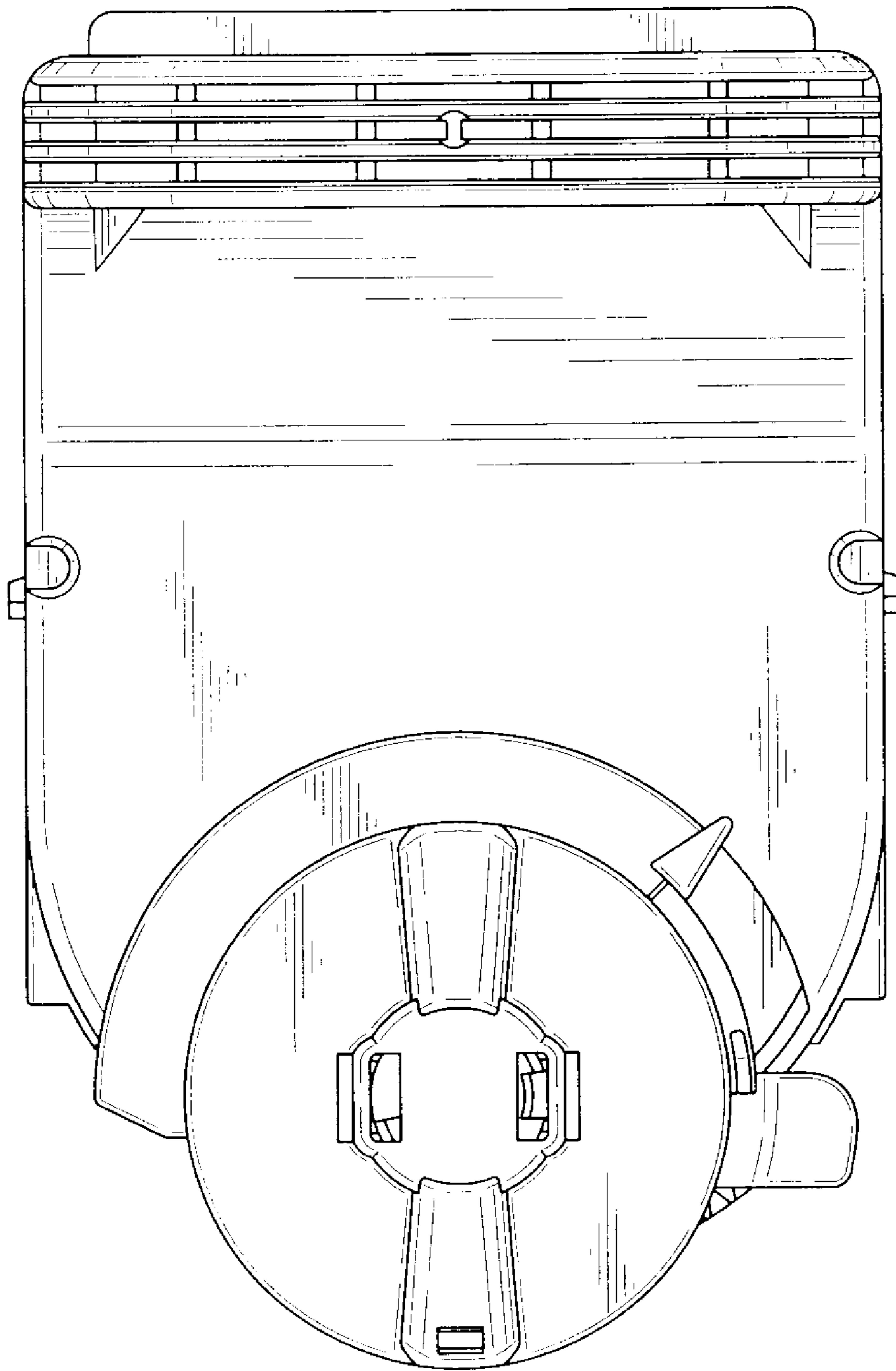


FIG. 1

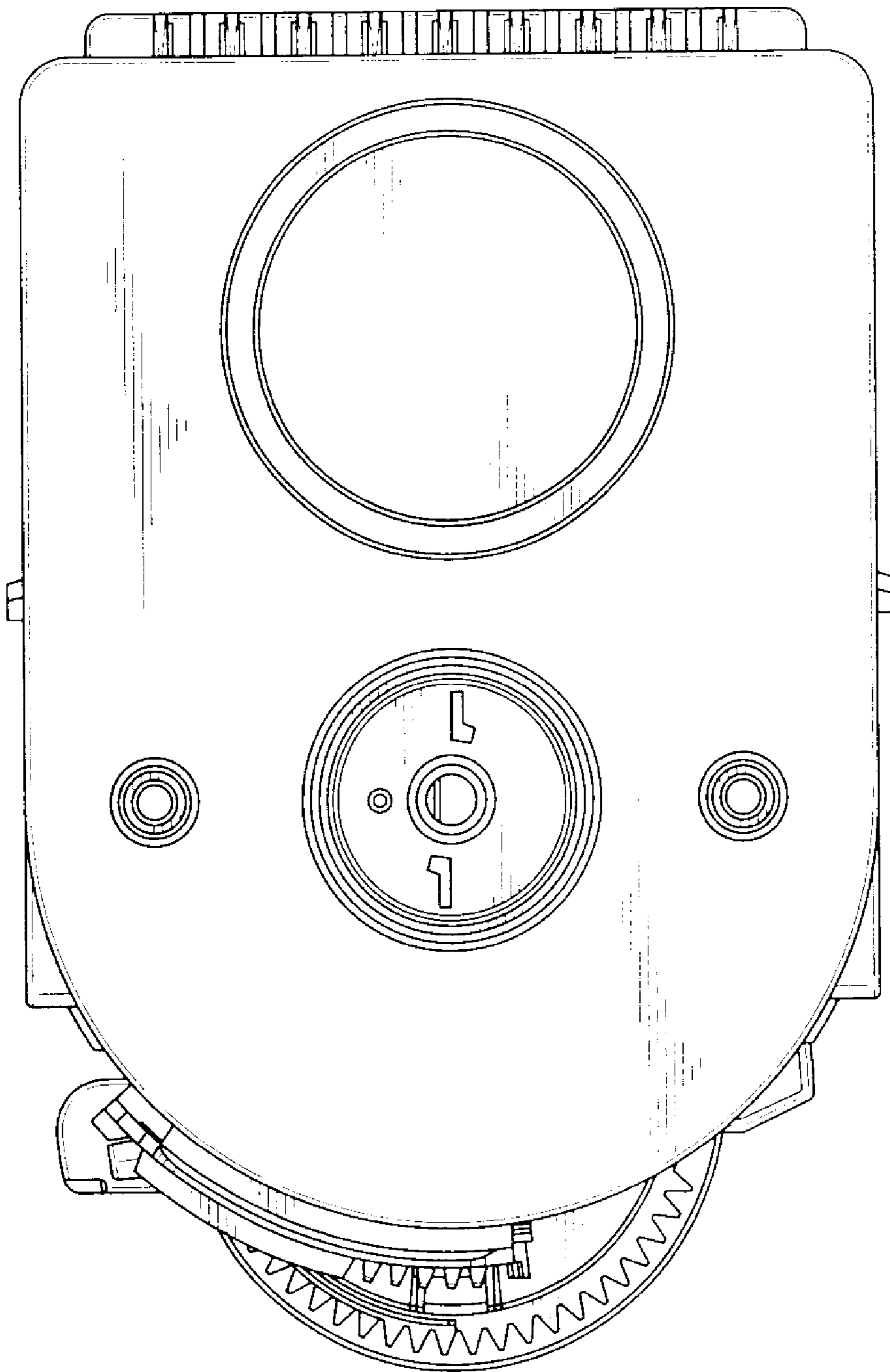


FIG. 2

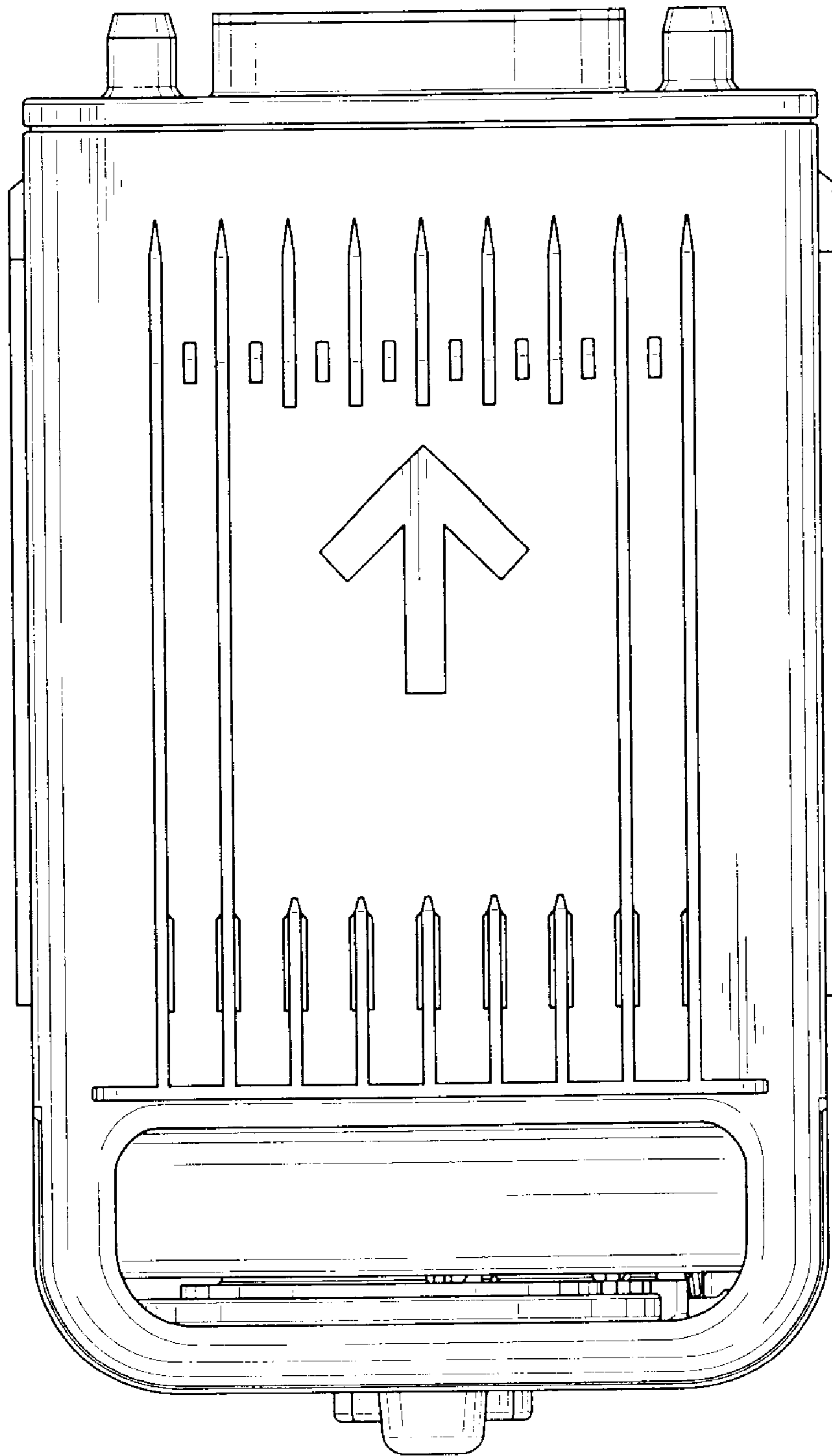


FIG. 3

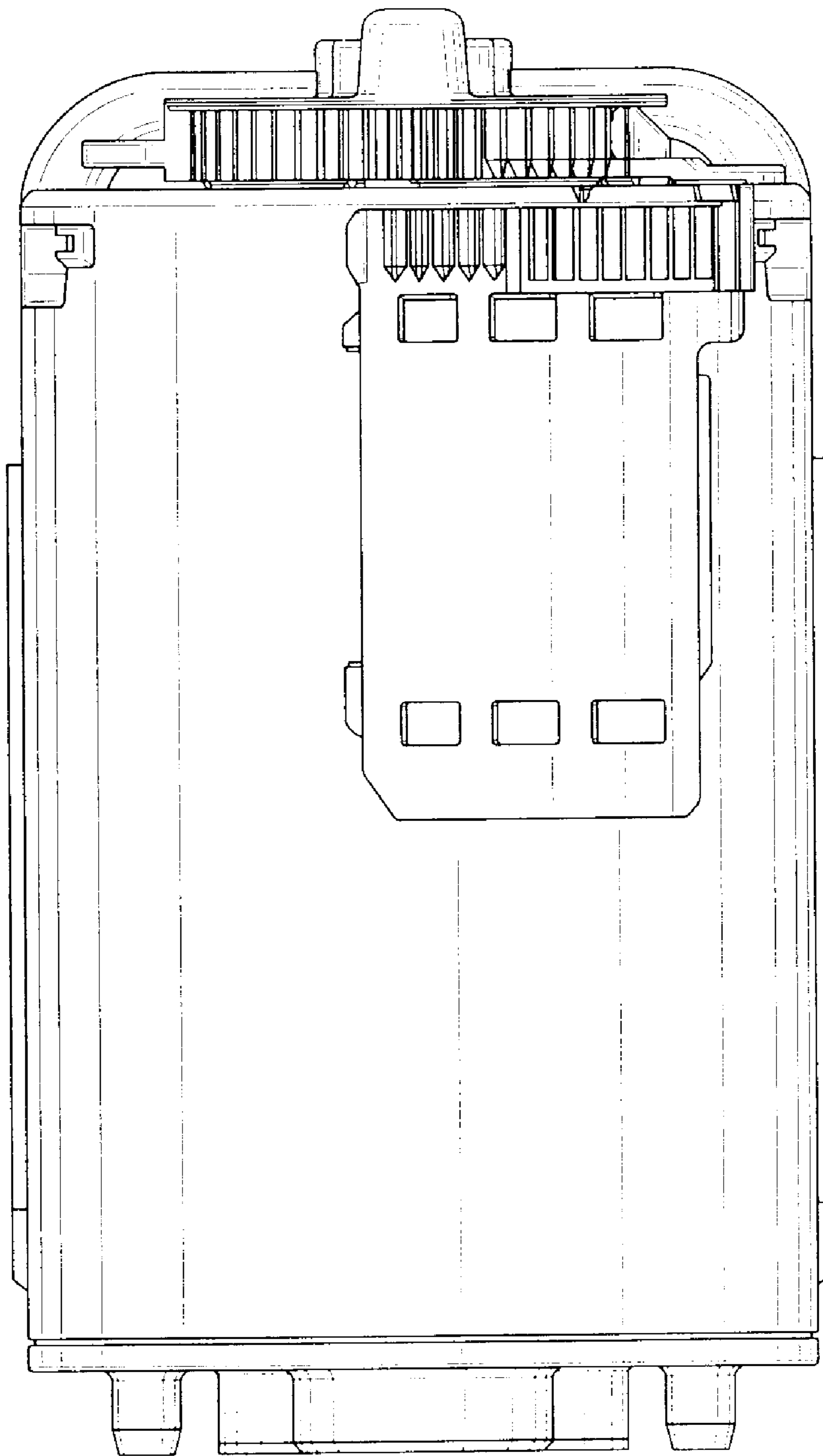


FIG. 4

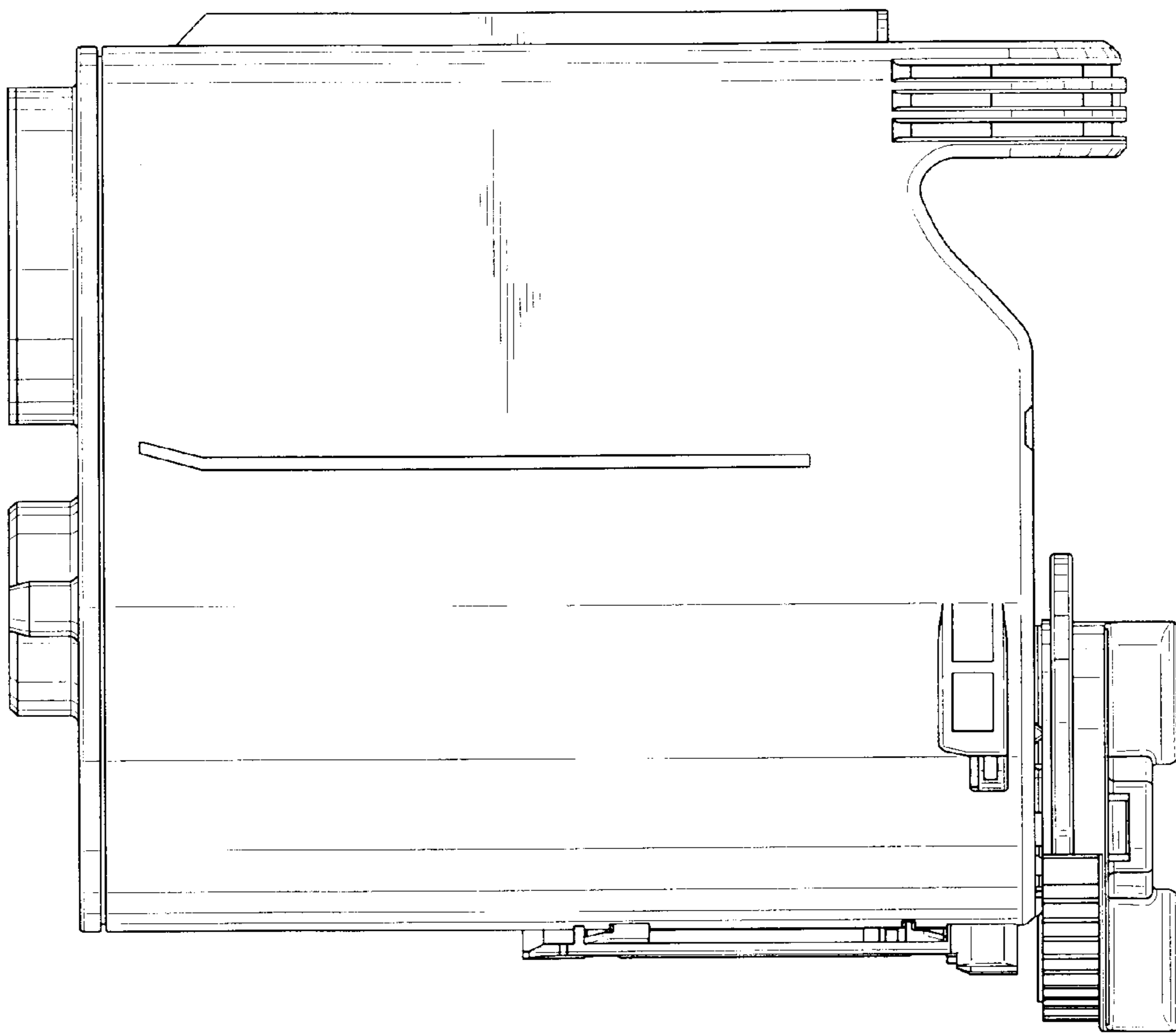


FIG. 5

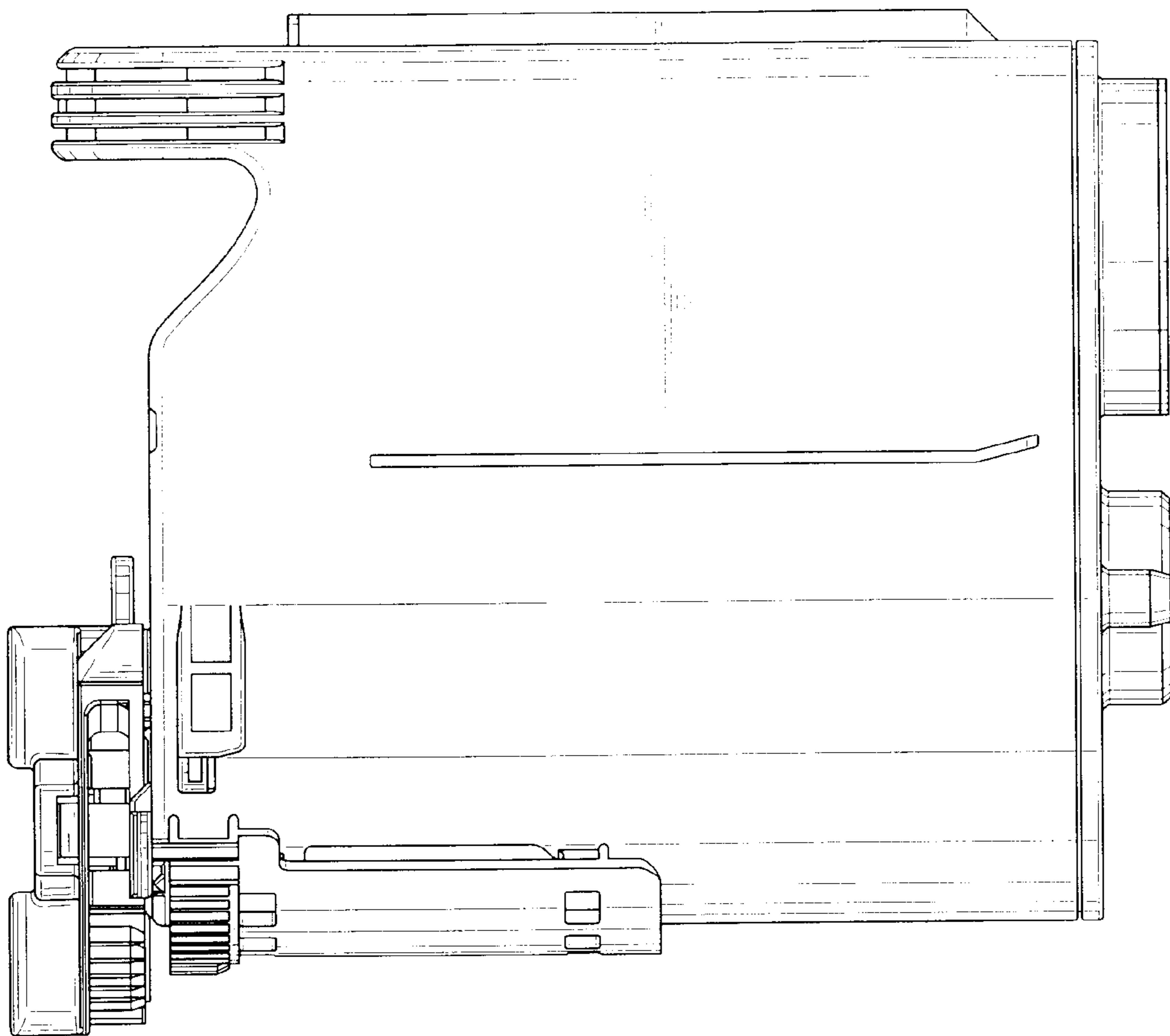


FIG. 6

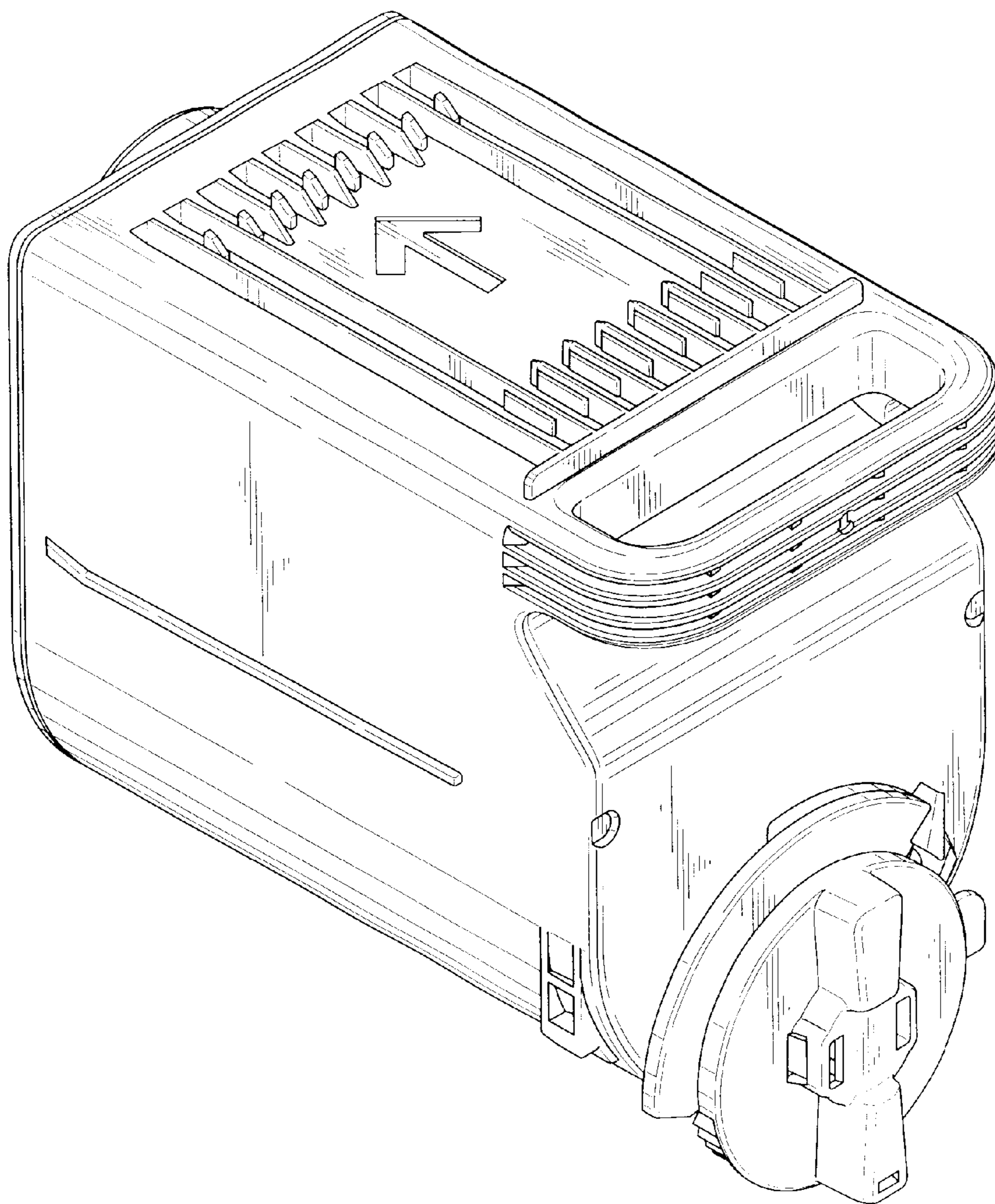


FIG. 7