

US00D529947S

(12) **United States Design Patent**  
**Nakajima et al.**

(10) **Patent No.:** **US D529,947 S**

(45) **Date of Patent:** **\*\* Oct. 10, 2006**

(54) **TONER SUPPLYING CARTRIDGE**

(75) Inventors: **Nobuo Nakajima**, Kashiwa (JP);  
**Hiroaki Ohashi**, Komae (JP);  
**Kazuyoshi Sasae**, Toride (JP)

(73) Assignee: **Canon Kabushiki Kaisha**, Tokyo (JP)

(\*\*) Term: **14 Years**

(21) Appl. No.: **29/228,902**

(22) Filed: **May 2, 2005**

(30) **Foreign Application Priority Data**

Nov. 11, 2004 (JP) ..... 2004-034351

(51) **LOC (8) Cl.** ..... **16-03**

(52) **U.S. Cl.** ..... **D18/43**

(58) **Field of Classification Search** ..... D18/12,  
D18/36, 40, 43, 44, 56; D14/462, 469-471,  
D14/474-484; 222/DIG. 1; 347/49, 86, 87,  
347/197, 214, 222; 399/24-28, 107-112,  
399/119, 222-224; 400/294, 196, 207, 208  
See application file for complete search history.

(56) **References Cited**

**U.S. PATENT DOCUMENTS**

4,851,873 A \* 7/1989 Sakao et al. .... 399/119  
D310,240 S \* 8/1990 Smith ..... D18/43  
D310,845 S \* 9/1990 Ohata ..... D18/43  
D346,819 S \* 5/1994 Taniguchi et al. .... D18/43  
D358,163 S \* 5/1995 Nomura ..... D18/43  
D375,322 S \* 11/1996 Nagashima et al. .... D18/40

D395,914 S \* 7/1998 Yoshino et al. .... D18/43  
D400,915 S \* 11/1998 Nomura et al. .... D18/40  
D410,247 S \* 5/1999 Nomura ..... D18/43  
D422,623 S \* 4/2000 Fukuoka ..... D18/12  
D431,593 S \* 10/2000 Gumbe ..... D18/40  
D471,582 S \* 3/2003 Mori ..... D18/40  
D477,357 S 7/2003 Nakajima et al. .... D18/43  
2003/0161655 A1 \* 8/2003 Fukuda et al. .... 399/111

**OTHER PUBLICATIONS**

U.S. Appl. No. 29/228,906.

\* cited by examiner

*Primary Examiner*—Caron Veynar

*Assistant Examiner*—Garth Rademaker

(74) *Attorney, Agent, or Firm*—Fitzpatrick, Cella, Harper & Scinto

(57) **CLAIM**

The ornamental design for a toner supplying cartridge, as shown.

**DESCRIPTION**

FIG. 1 is a front view of a toner supplying cartridge showing our new design;

FIG. 2 is a rear view thereof;

FIG. 3 is a top plan view thereof;

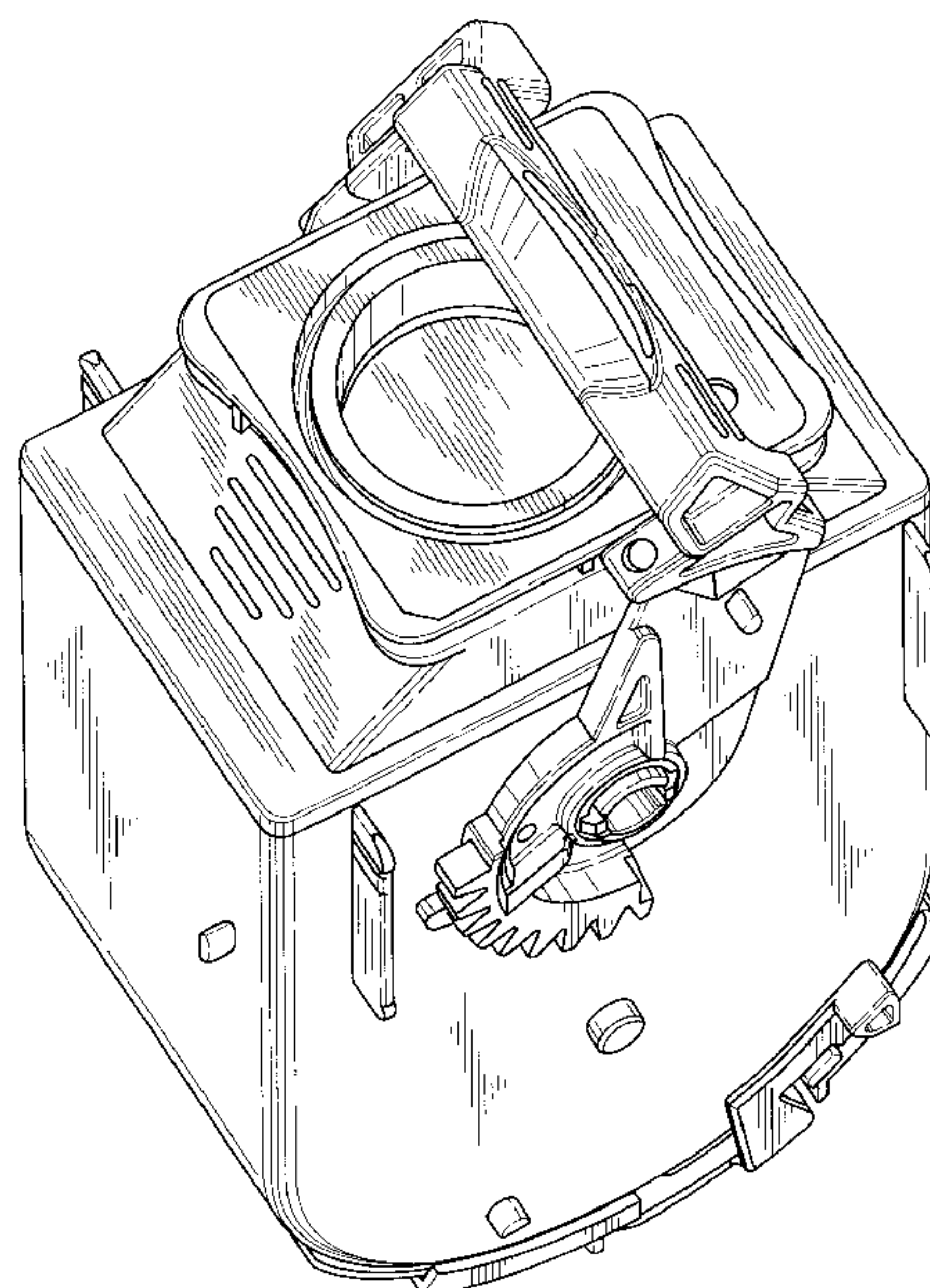
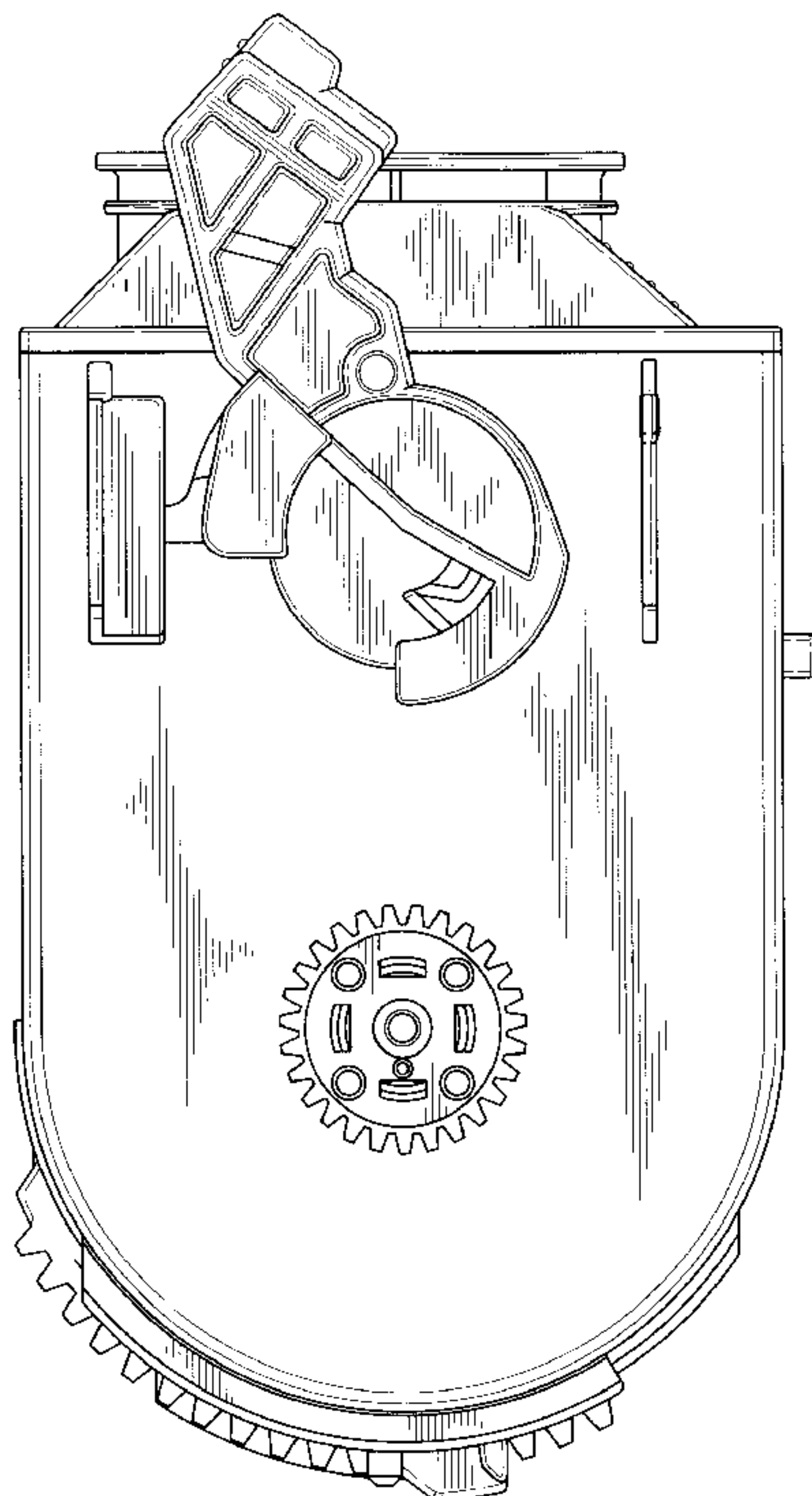
FIG. 4 is a bottom plan view thereof;

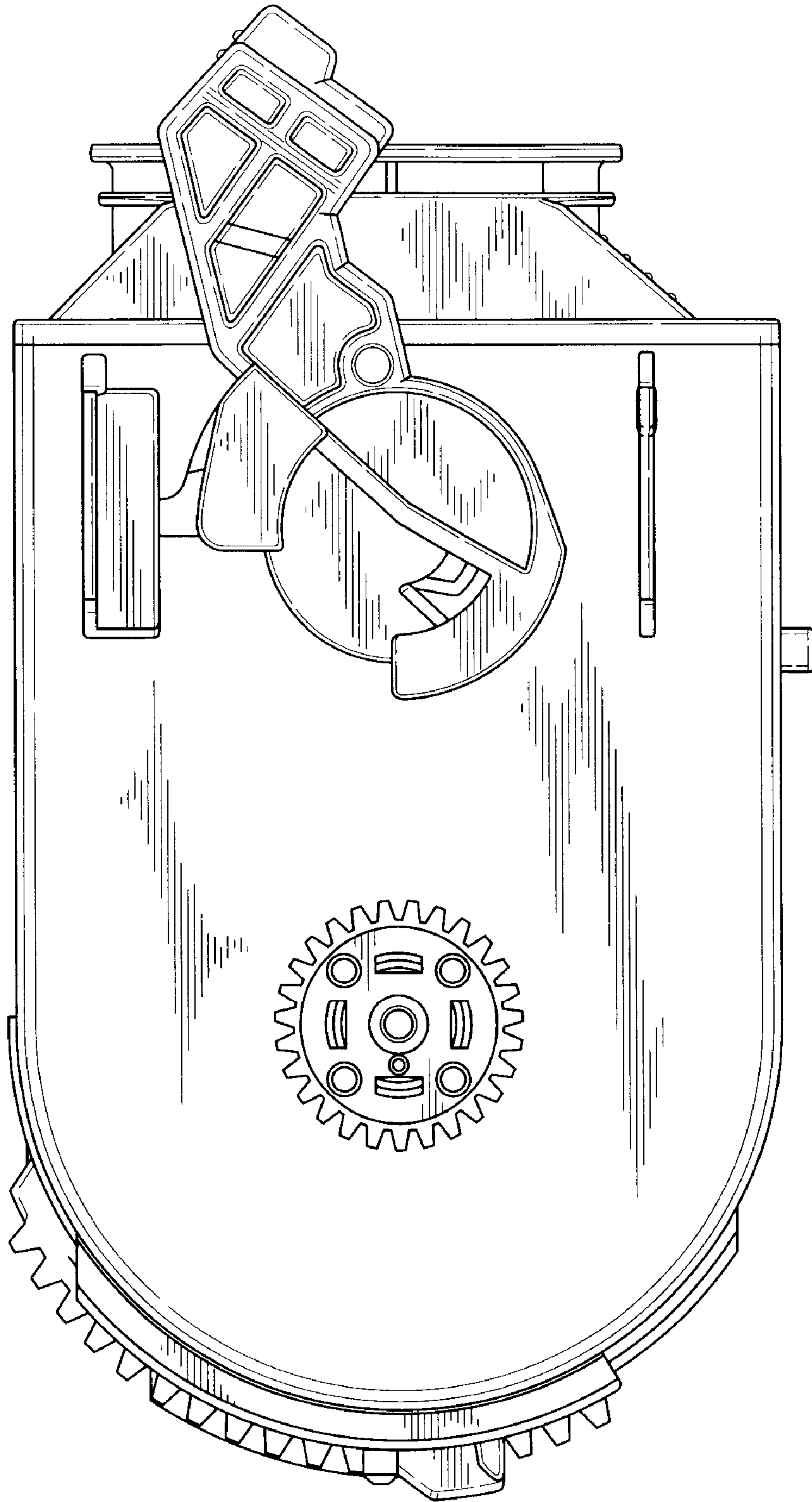
FIG. 5 is a left side view thereof;

FIG. 6 is a right side view thereof; and,

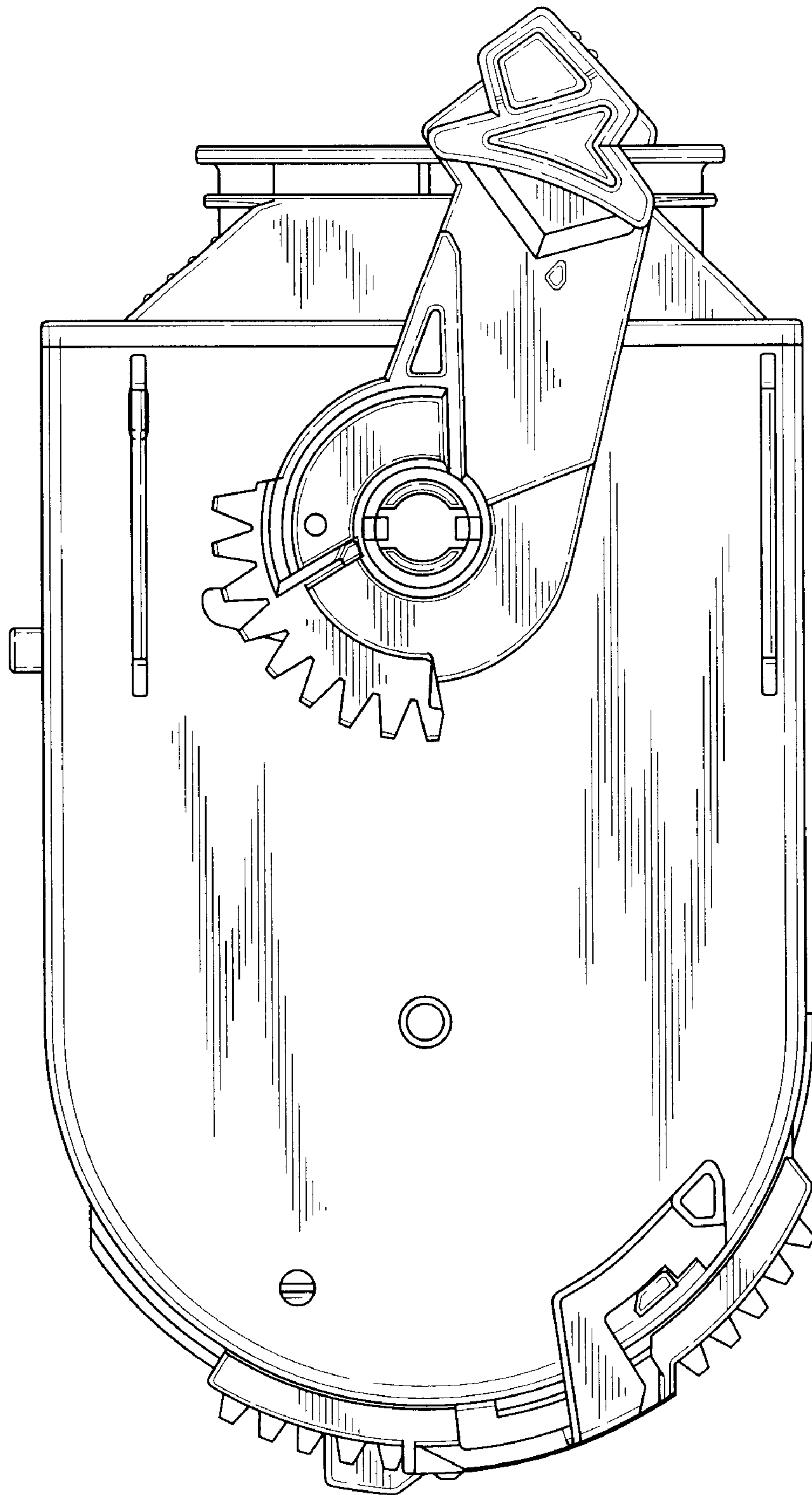
FIG. 7 is a perspective view thereof.

**1 Claim, 7 Drawing Sheets**



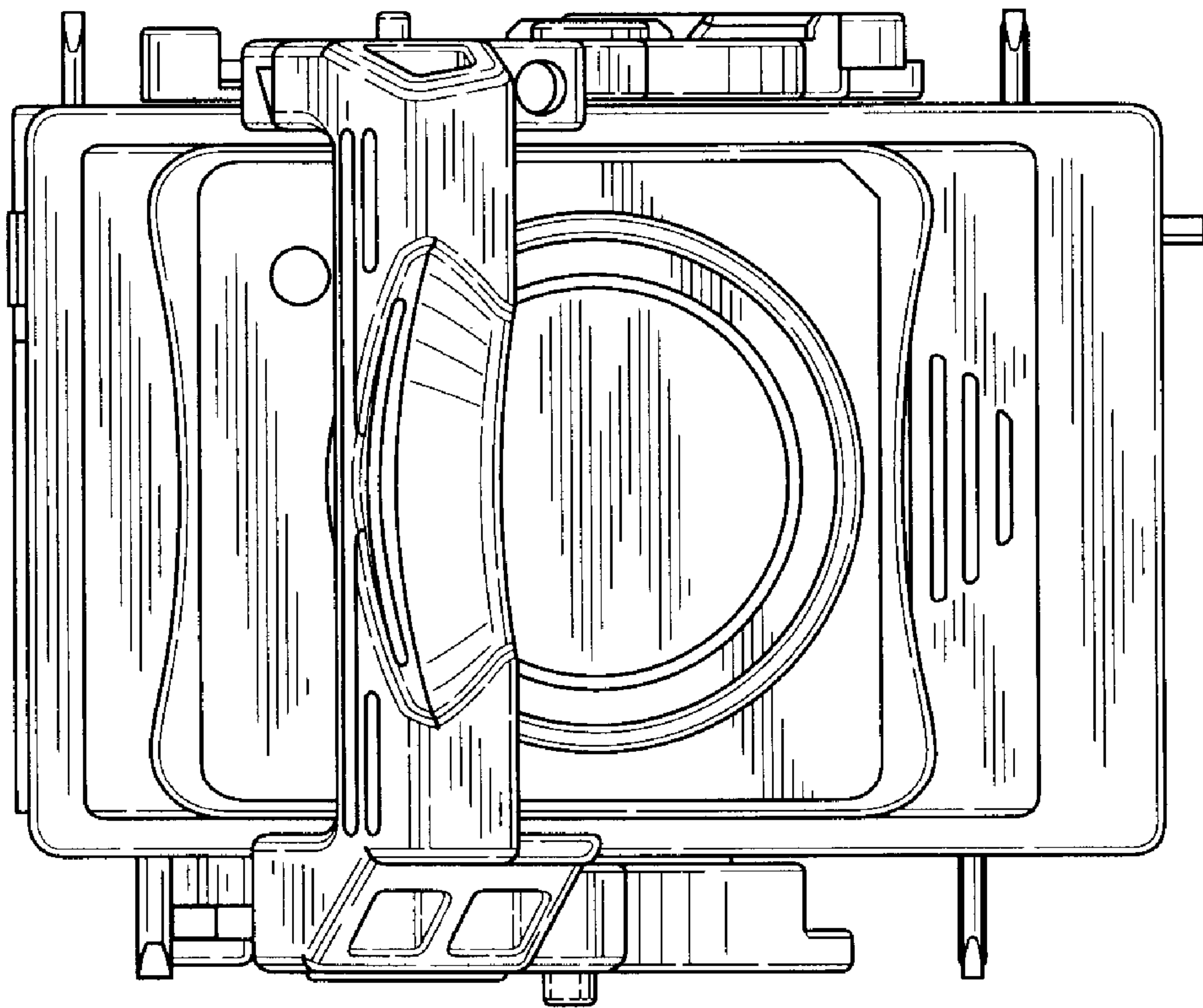


**FIG. 1**

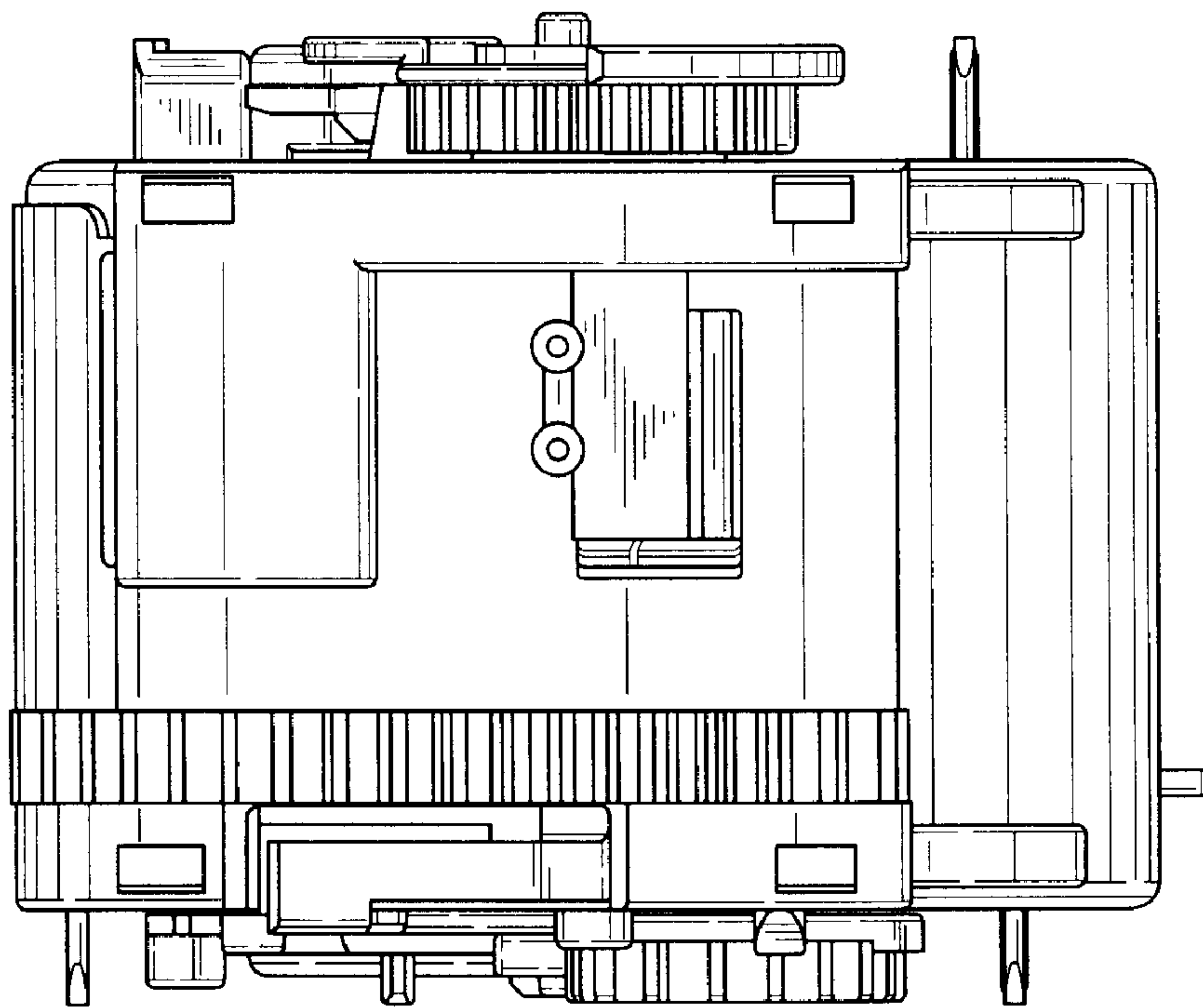


*FIG. 2*

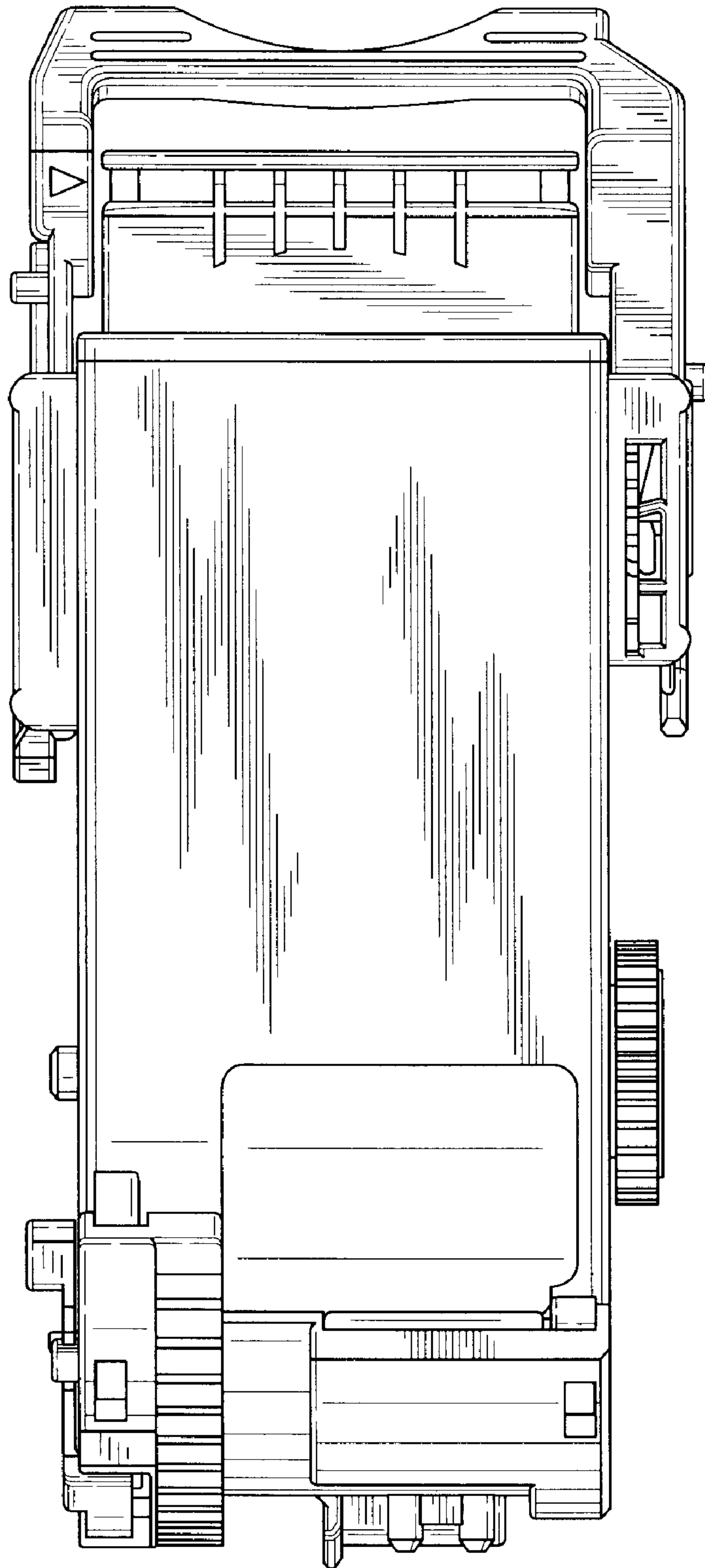




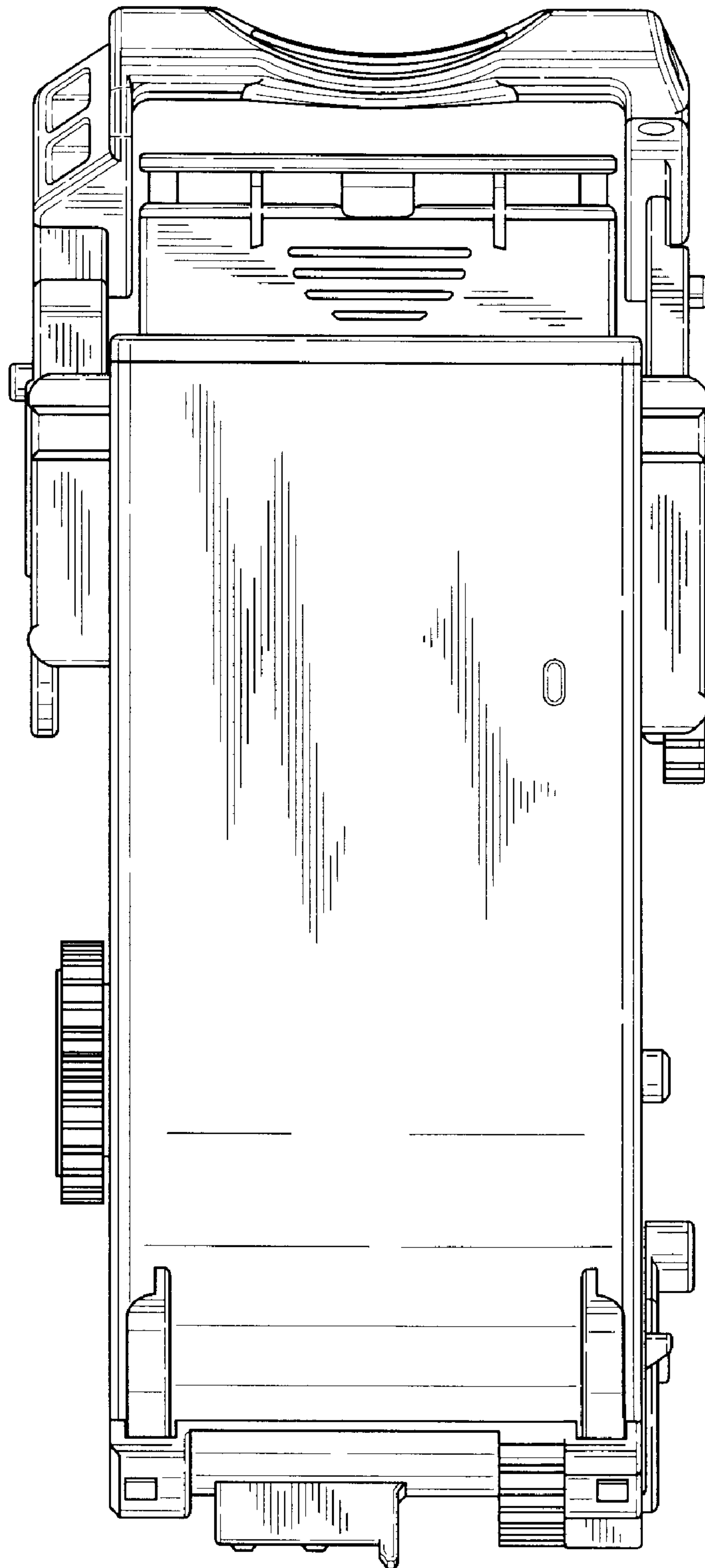
*FIG. 3*



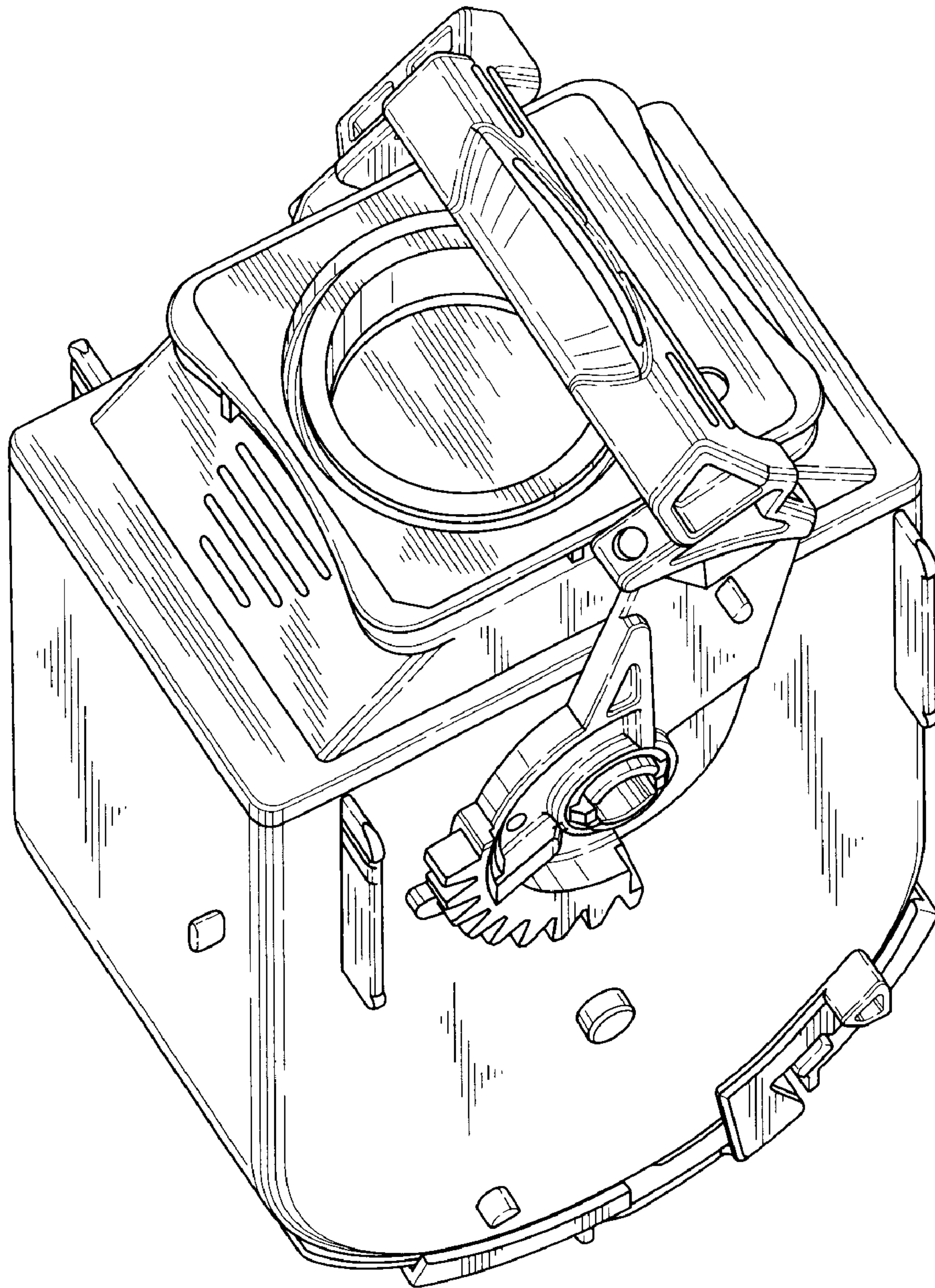
*FIG. 4*



*FIG. 5*



*FIG. 6*



**FIG. 7**