

US00D529946S

(12) **United States Design Patent**  
**Amano**

(10) **Patent No.:** **US D529,946 S**

(45) **Date of Patent:** **\*\* Oct. 10, 2006**

(54) **TONER STORAGE CONTAINER**  
(75) Inventor: **Takafumi Amano**, Kawasaki (JP)  
(73) Assignee: **Toshiba Tec Kabushiki Kaisha**, Tokyo (JP)  
(\*\*) Term: **14 Years**  
(21) Appl. No.: **29/209,433**  
(22) Filed: **Jul. 14, 2004**

(30) **Foreign Application Priority Data**

Mar. 29, 2004 (JP) ..... 2004-009496

(51) **LOC (8) Cl.** ..... **16-03**  
(52) **U.S. Cl.** ..... **D18/43**  
(58) **Field of Classification Search** ..... D18/12,  
D18/36, 40, 43, 44, 56; D14/462, 469-171;  
222/DIG. 1; 347/197, 222; 399/24-28, 107-112,  
399/191, 121, 122, 222-224; 400/207, 208  
See application file for complete search history.

(56) **References Cited**

**U.S. PATENT DOCUMENTS**

D320,810 S \* 10/1991 Koiso et al. .... D18/43  
D379,829 S \* 6/1997 Hayashi ..... D18/56  
6,011,941 A \* 1/2000 Takashima et al. .... 399/111  
D422,304 S \* 4/2000 Suzuki et al. .... D18/43  
D423,561 S \* 4/2000 Kita ..... D18/43  
D428,050 S \* 7/2000 Nishiyama et al. .... D18/43  
D432,916 S \* 10/2000 Drinkwater et al. .... D18/43  
D436,986 S \* 1/2001 Joroku et al. .... D18/43  
6,169,865 B1 \* 1/2001 Miyabe et al. .... 399/111  
D442,214 S \* 5/2001 Hayashi ..... D18/43  
D442,216 S \* 5/2001 Kimura et al. .... D18/43  
6,259,874 B1 \* 7/2001 Murakami et al. .... 399/119  
D447,168 S \* 8/2001 Nishimura ..... D18/43

D450,080 S \* 11/2001 Ashikari ..... D18/40  
D451,538 S \* 12/2001 Schwamkrug et al. .... D18/40  
D464,369 S \* 10/2002 Kunihiro et al. .... D18/43  
D469,462 S \* 1/2003 Onodera et al. .... D18/40  
D471,228 S \* 3/2003 Okabe et al. .... D18/43  
D489,400 S \* 5/2004 Nagashiro ..... D18/43  
6,788,912 B1 \* 9/2004 Isomura et al. .... 222/DIG. 1  
D502,730 S \* 3/2005 Miyagawa ..... D18/40  
6,975,822 B1 \* 12/2005 Kunou et al. .... 399/109  
2002/0025183 A1 \* 2/2002 Murakami et al. .... 399/109  
2006/0008299 A1 \* 1/2006 Amano et al. .... 399/262  
2006/0013621 A1 \* 1/2006 Kimura et al. .... 399/262

**FOREIGN PATENT DOCUMENTS**

JP 1198557 3/2000  
JP 1065353 3/2004

\* cited by examiner

*Primary Examiner*—Caron Veynar  
*Assistant Examiner*—Garth Rademaker  
(74) *Attorney, Agent, or Firm*—Darby & Darby

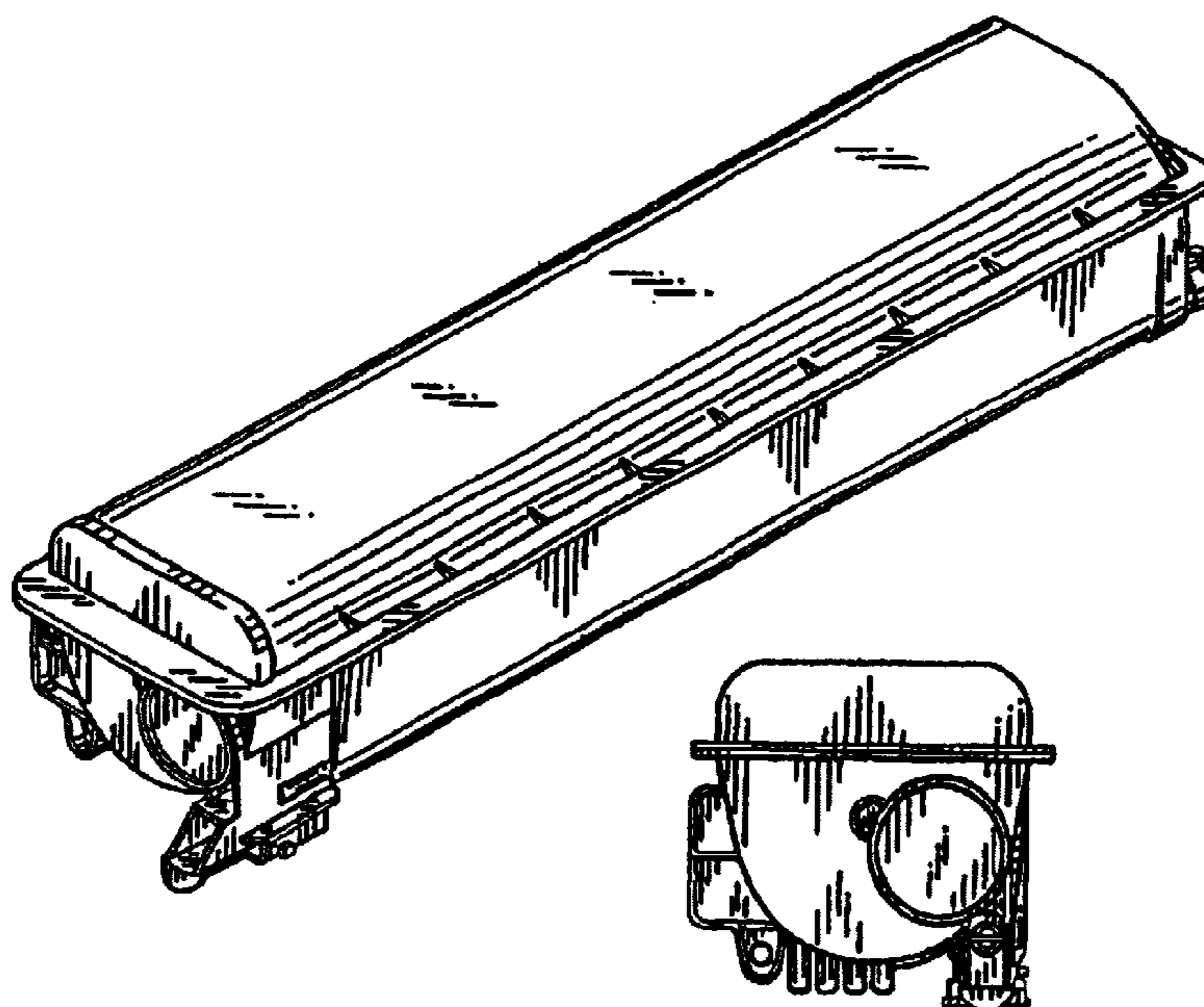
(57) **CLAIM**

The ornamental design for a toner storage container, as shown.

**DESCRIPTION**

FIG. 1 is a front perspective view of my new design for a toner storage container;  
FIG. 2 is a rear perspective view thereof;  
FIG. 3 is a front elevational view thereof;  
FIG. 4 is a rear elevational view thereof;  
FIG. 5 is a top plan view thereof;  
FIG. 6 is a bottom plan view thereof;  
FIG. 7 is a left side elevational view thereof; and,  
FIG. 8 is a right side elevational view thereof.

**1 Claim, 3 Drawing Sheets**



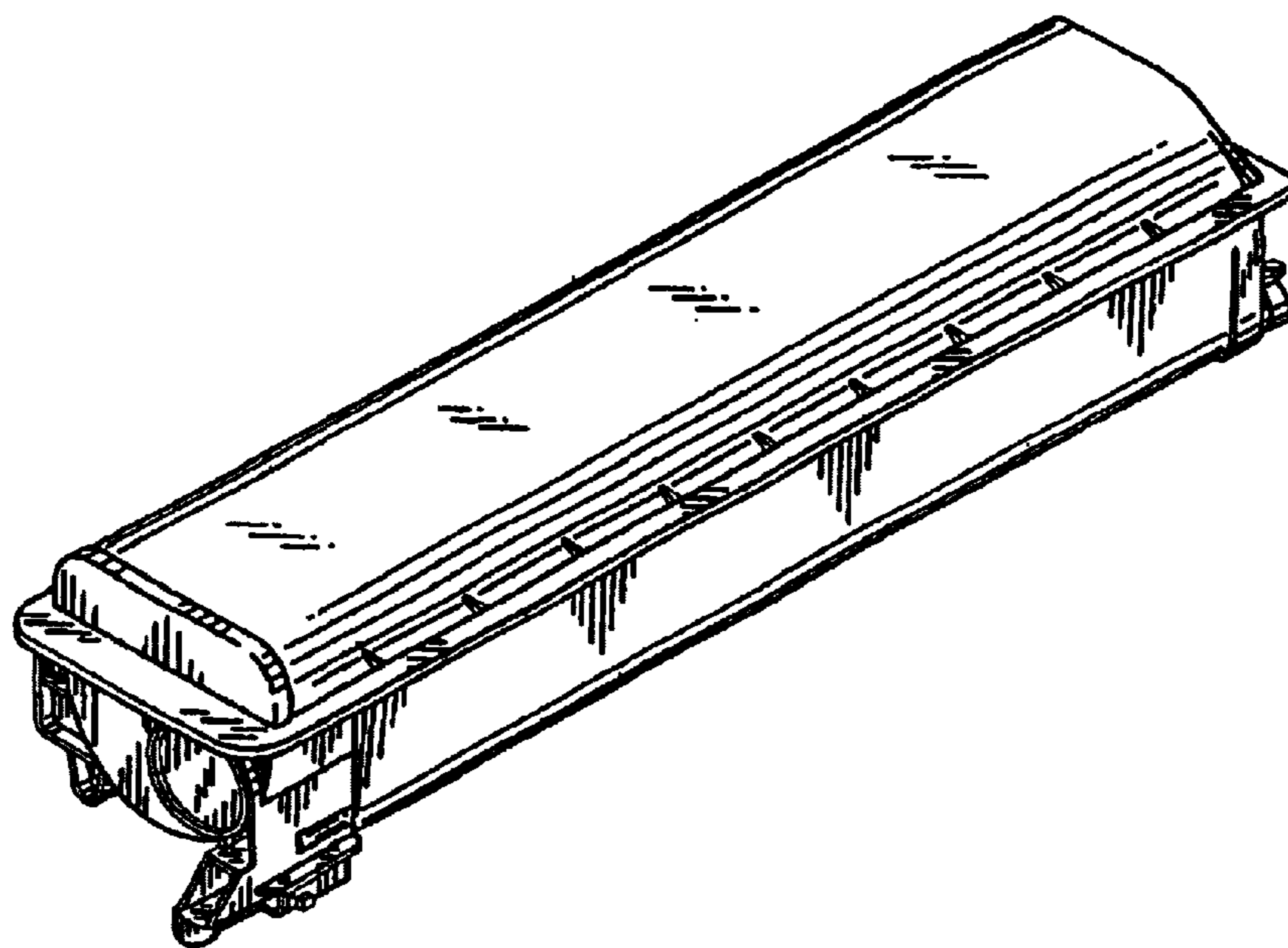


FIG. 1

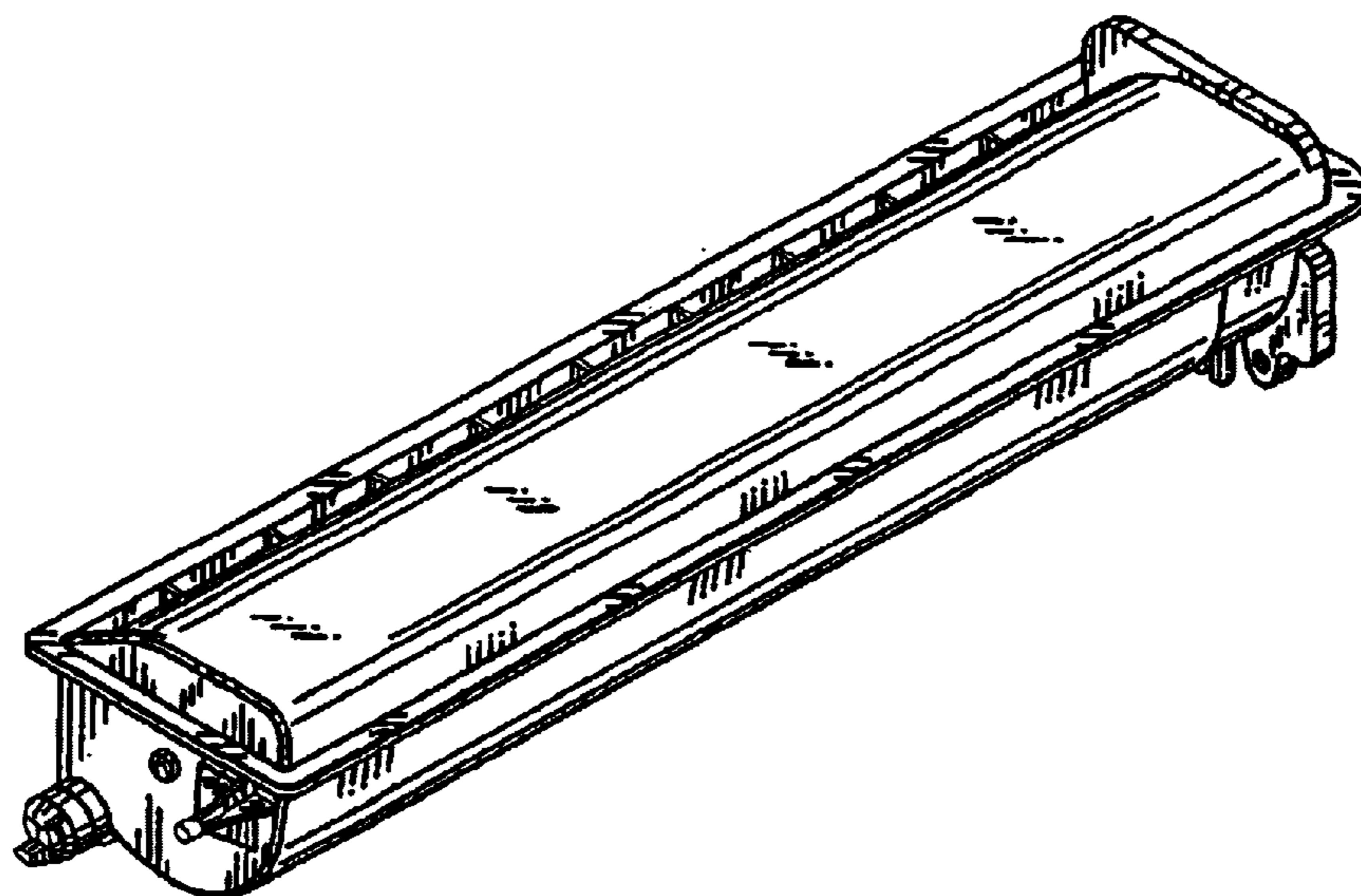


FIG. 2

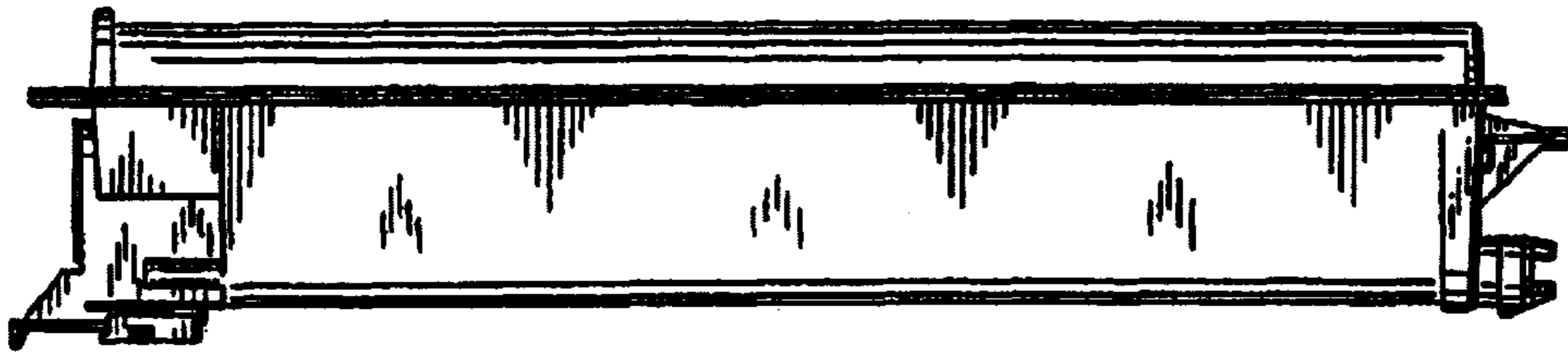


FIG. 3

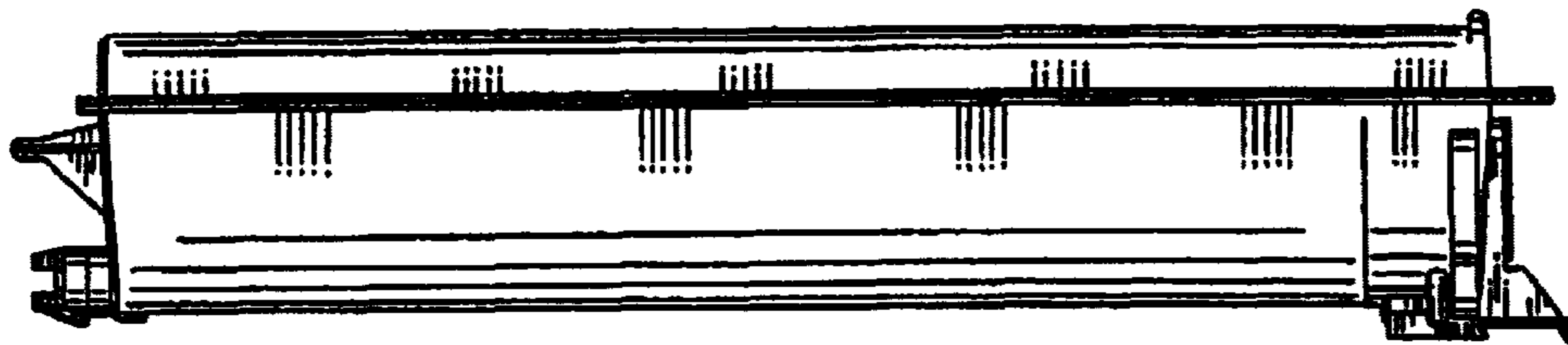


FIG. 4

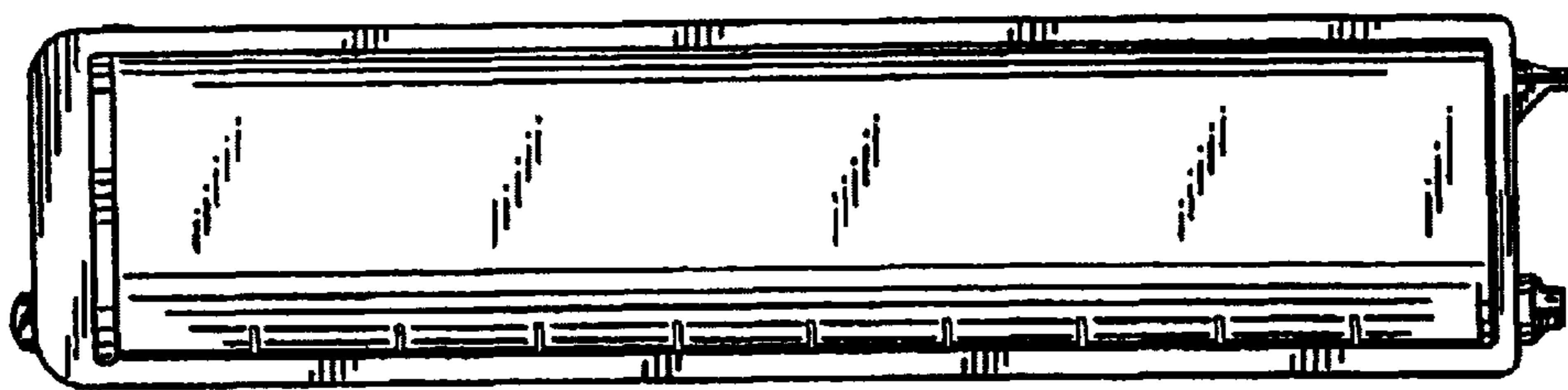


FIG. 5



FIG. 6

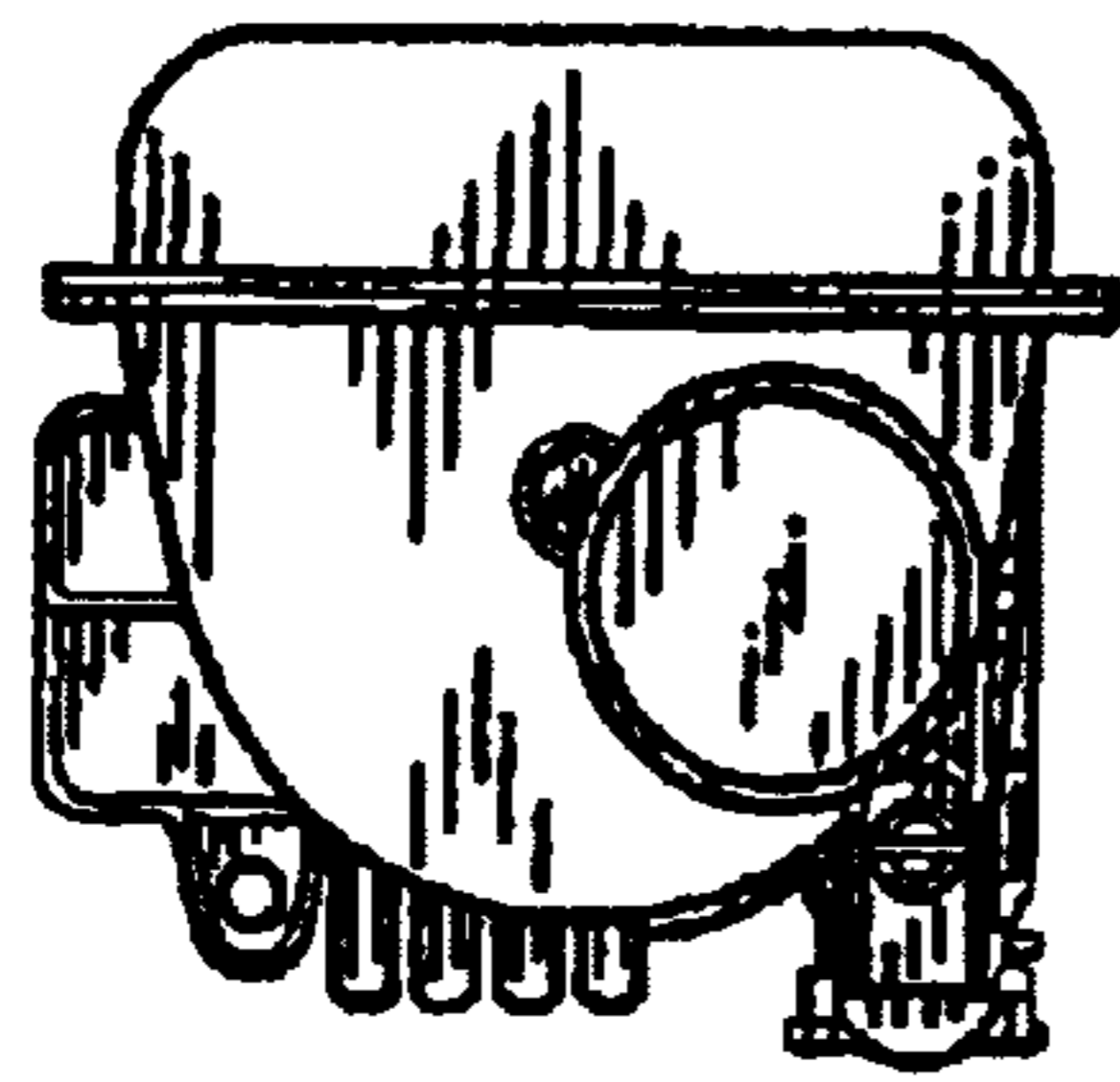


FIG. 7

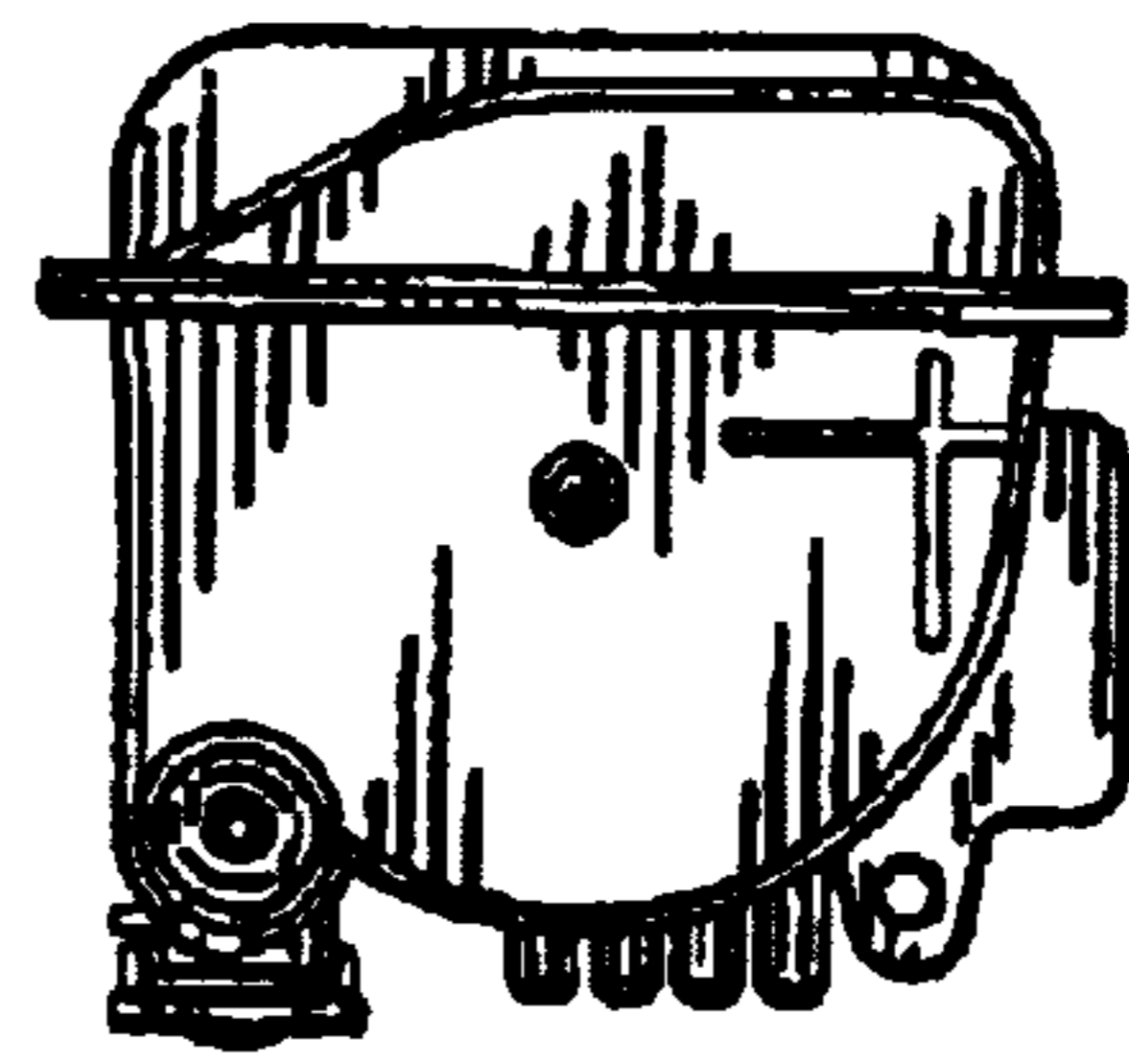


FIG. 8