

US00D529945S

(12) **United States Design Patent**
Gunter et al.

(10) **Patent No.:** **US D529,945 S**

(45) **Date of Patent:** **** Oct. 10, 2006**

- (54) **PAPER TRIMMER BLADE GUIDE**
- (75) Inventors: **James R. Gunter**, Provo, UT (US); **M. Ann Merrill**, Draper, UT (US)
- (73) Assignee: **Provo Craft and Novelty, Inc.**, Spanish Fork, UT (US)
- (**) Term: **14 Years**
- (21) Appl. No.: **29/232,204**
- (22) Filed: **Jun. 15, 2005**

3,973,459 A	8/1976	Stowe	
4,075,920 A *	2/1978	Neal	83/745
4,096,631 A *	6/1978	Ward	30/294
4,957,235 A	9/1990	Beno et al.	
4,967,628 A	11/1990	Judd et al.	
D319,255 S	8/1991	Beno et al.	
D319,840 S	9/1991	Hatsumi et al.	
5,069,097 A	12/1991	Mori	
D322,974 S	1/1992	Mori	
5,322,001 A	6/1994	Boda	
5,365,822 A *	11/1994	Stapleton et al.	83/614
D353,150 S	12/1994	Mori	
5,398,576 A *	3/1995	Chiu	83/614
D360,891 S	8/1995	Birkholz	
D360,892 S	8/1995	Birkholz et al.	
5,524,515 A	6/1996	Boda	
D377,368 S	1/1997	Rellinger	
D379,193 S	5/1997	Cornell	

Related U.S. Application Data

- (63) Continuation of application No. 29/230,268, filed on May 18, 2005.
- (51) **LOC (8) Cl.** **18-04**
- (52) **U.S. Cl.** **D18/34.9; 18/4**
- (58) **Field of Classification Search** D18/34.3, D18/34.7, 34.8, 34.9; 83/167, 745, 544, 565, 83/614; 30/151, 292, 294, 319; D10/64, 65
See application file for complete search history.

(Continued)

FOREIGN PATENT DOCUMENTS

GB 2032080 * 12/1993

Primary Examiner—Charles A. Rademaker
(74) *Attorney, Agent, or Firm*—Morriss O'Bryant Compangi, P.C.

(56) **References Cited**

U.S. PATENT DOCUMENTS

318,556 A	5/1885	French	
442,414 A	12/1890	Blanchard	
491,307 A	2/1893	Gaylord	
794,013 A *	7/1905	Hill	30/292
802,720 A	10/1905	Weber	
802,721 A	10/1905	Weber	
821,299 A	5/1906	Lavoie	
821,681 A	5/1906	Vandemark et al.	
1,075,050 A	10/1913	Mihills	
2,327,223 A	8/1943	Silver	
2,345,450 A	3/1944	Blanc	
2,672,933 A	3/1954	Bridy	
2,790,498 A	4/1957	Carscallen	
3,068,569 A *	12/1962	Campbell, Jr.	30/294
3,237,497 A	3/1966	Cook	
3,301,117 A	1/1967	Spaulding	
3,527,131 A	9/1970	Ellerin et al.	
3,648,557 A	3/1972	Lind	

(57) **CLAIM**

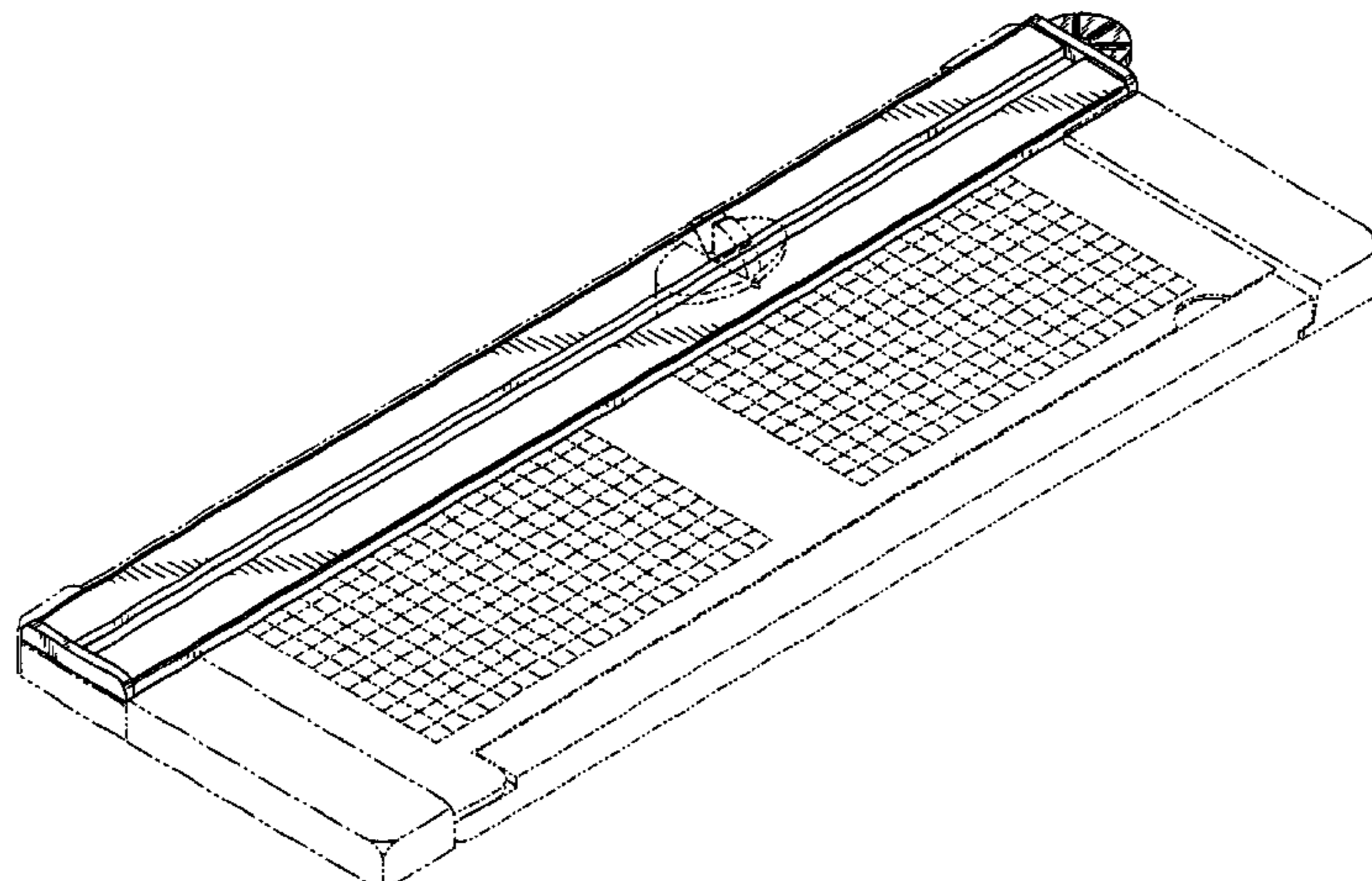
The ornamental design for a paper trimmer blade guide, as shown and described.

DESCRIPTION

FIG. 1 is a top perspective view of a paper trimmer blade guide showing our new design; FIG. 2 is a top plan view thereof; FIG. 3 is a bottom plan view thereof; FIG. 4 is a front elevation thereof; FIG. 5 is a rear elevation thereof; FIG. 6 is a right end elevation thereof; and, FIG. 7 is a left end elevation thereof.

The broken line showing of environment in FIG. 1 is for illustrative purposes only and forms no part of the claimed design.

1 Claim, 3 Drawing Sheets



US D529,945 S

Page 2

U.S. PATENT DOCUMENTS

D381,359 S	7/1997	Mori	6,460,443 B1	10/2002	Hsiao	
D387,377 S	12/1997	Daley	D469,461 S	1/2003	Gstalter	
5,802,942 A	9/1998	Cornell et al.	D469,800 S	2/2003	Robillard	
5,819,618 A	10/1998	Rodriguez	D503,191 S	3/2005	Mori et al.	
D412,931 S	8/1999	Chan et al.	6,951,159 B1	10/2005	Lin et al.	
D415,404 S	10/1999	Seaton	2002/0096031 A1 *	7/2002	Yang	83/614
D417,693 S	12/1999	Daley, Jr.	2003/0140757 A1	7/2003	Carlson et al.	
D425,548 S	5/2000	Rellinger	2003/0140761 A1	7/2003	Schulz	
D427,626 S	7/2000	Robillard	2004/0149108 A1	8/2004	McLean et al.	
6,098,515 A	8/2000	Daley	2004/0221705 A1	11/2004	Vossler	

* cited by examiner

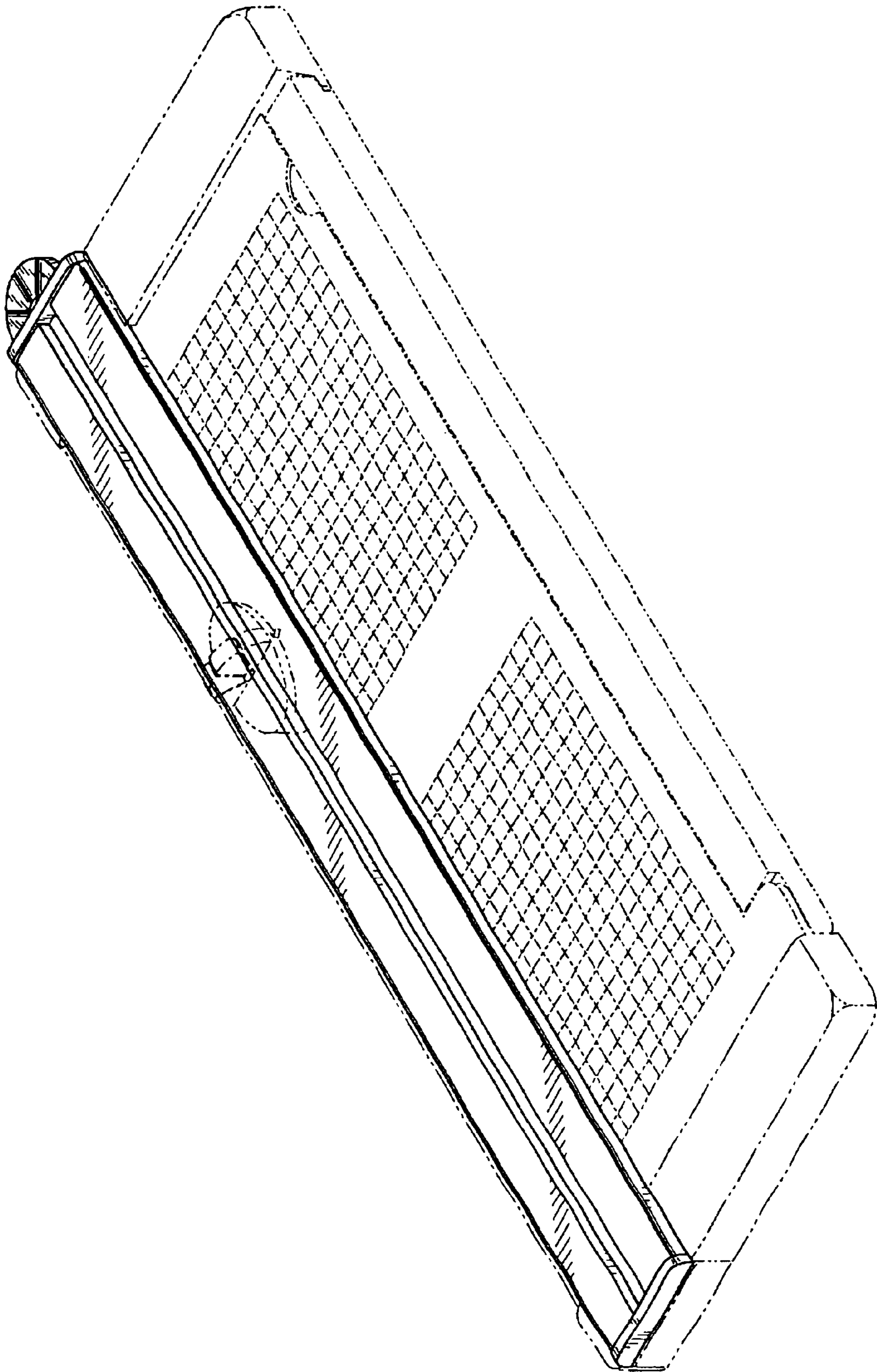


FIG. 1

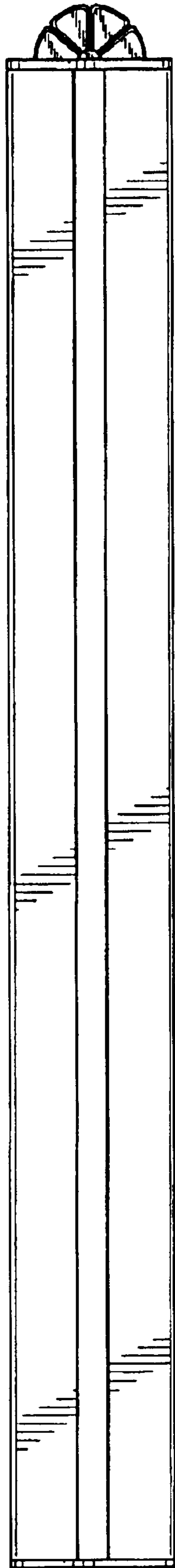


FIG. 2

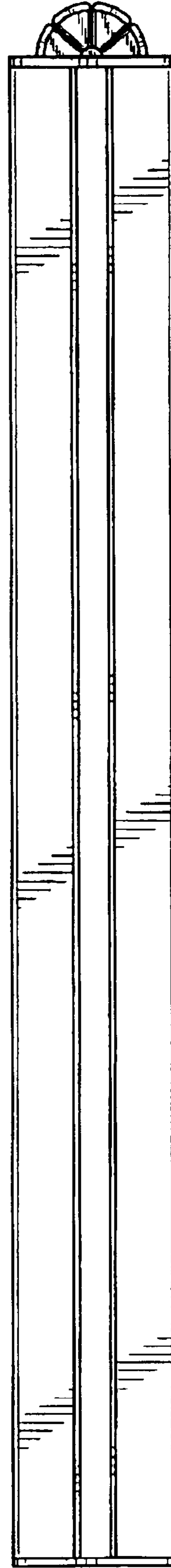


FIG. 3



FIG. 4



FIG. 5



FIG. 6



FIG. 7