



US00D529942S

(12) **United States Design Patent**
Harrington

(10) **Patent No.:** **US D529,942 S**

(45) **Date of Patent:** **** Oct. 10, 2006**

(54) **KINGFISH GUITAR BODY**

(76) Inventor: **Timothy Lewis Harrington**, 1300
Oceanside La., League City, TX (US)
77573

(**) Term: **14 Years**

(21) Appl. No.: **29/216,009**

(22) Filed: **Oct. 29, 2004**

(51) **LOC (8) Cl.** **17-03**

(52) **U.S. Cl.** **D17/20**

(58) **Field of Classification Search** D17/14,
D17/15, 18-20; 84/291-293, 267
See application file for complete search history.

(56) **References Cited**

U.S. PATENT DOCUMENTS

| | | | | |
|-------------|---------|----------------|-------|--------|
| 3,143,028 A | 8/1964 | Fender | | D17/14 |
| D203,770 S | 2/1966 | Burns | | D17/14 |
| D254,792 S | 4/1980 | Edwards | | D17/14 |
| 4,373,417 A | 2/1983 | Wilson et al. | | 84/743 |
| D269,437 S | 6/1983 | Wilson et al. | | D17/14 |
| D274,733 S | 7/1984 | Hampton et al. | | D17/14 |
| D276,918 S | 12/1984 | Peavey | | D17/14 |

| | | | | | |
|-------------|---|---------|------------------|-------|--------|
| 4,815,355 A | * | 3/1989 | Cavaness | | 84/291 |
| 4,846,038 A | | 7/1989 | Turner | | 84/293 |
| D337,125 S | * | 7/1993 | Rundell | | D17/20 |
| 5,235,891 A | | 8/1993 | Klein | | 84/291 |
| 5,353,672 A | | 10/1994 | Stewart | | 84/291 |
| 5,747,711 A | * | 5/1998 | Cavaness et al. | | 84/291 |
| D407,430 S | | 3/1999 | Rosenberg et al. | | D17/20 |
| D481,412 S | * | 10/2003 | Minarik | | D17/20 |
| D503,950 S | * | 4/2005 | Harrington | | D17/20 |
| D504,459 S | * | 4/2005 | Harrington | | D17/20 |
| D504,460 S | * | 4/2005 | Harrington | | D17/20 |

* cited by examiner

Primary Examiner—Adir Aronovich

(57) **CLAIM**

The ornamental design for a Kingfish guitar body, as shown.

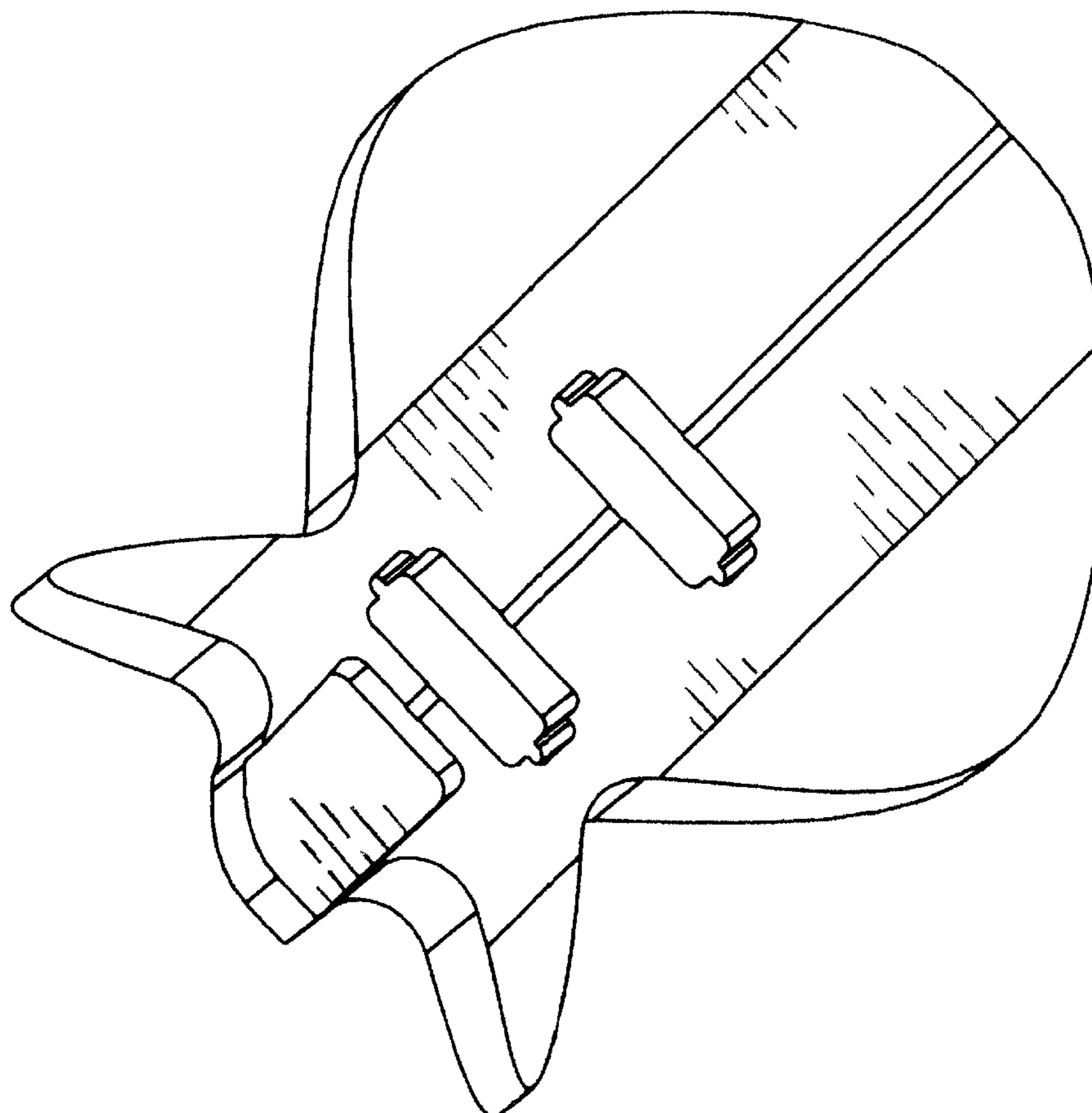
DESCRIPTION

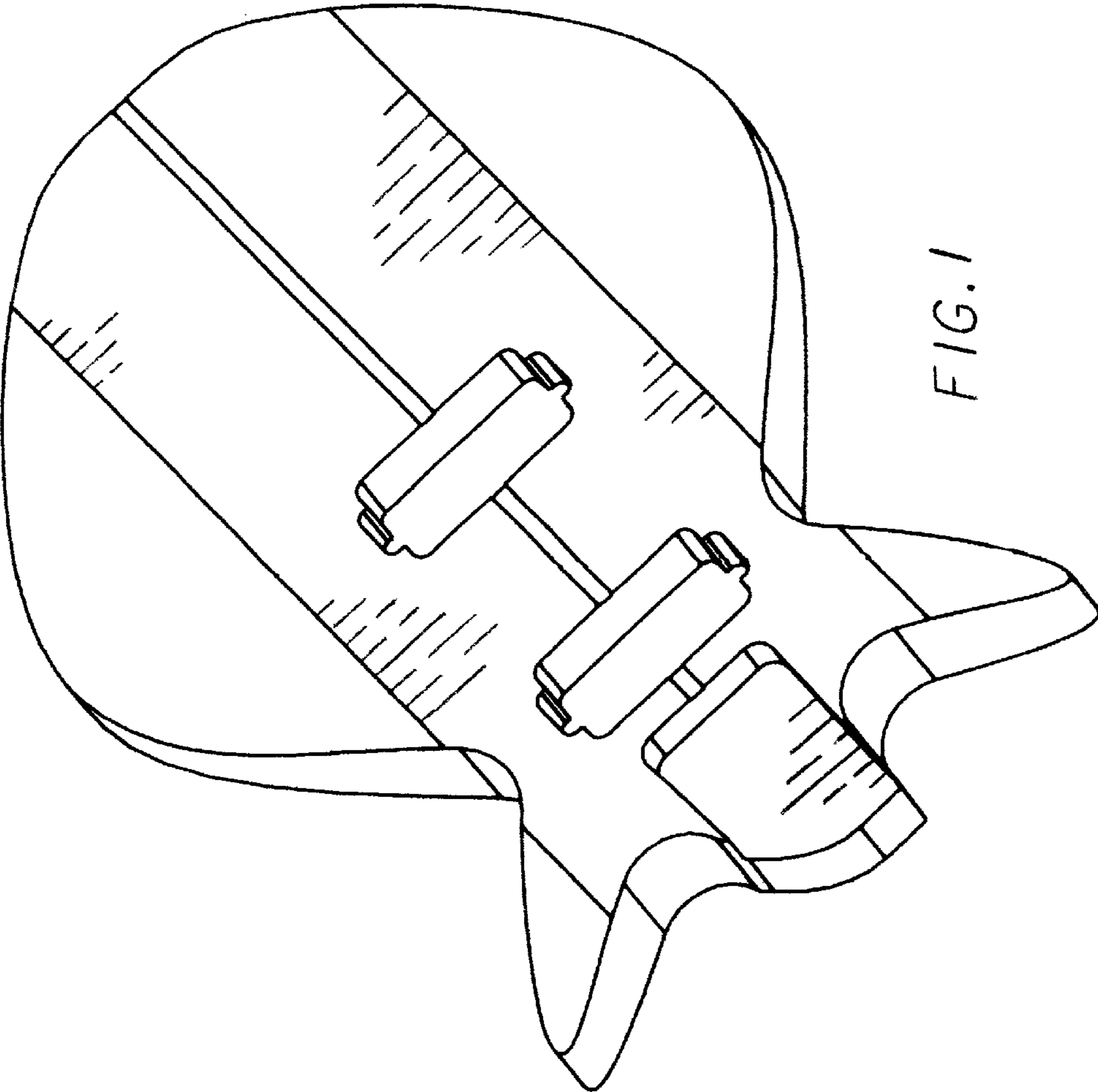
The guitar body shown is for electric, acoustic and bass guitars.

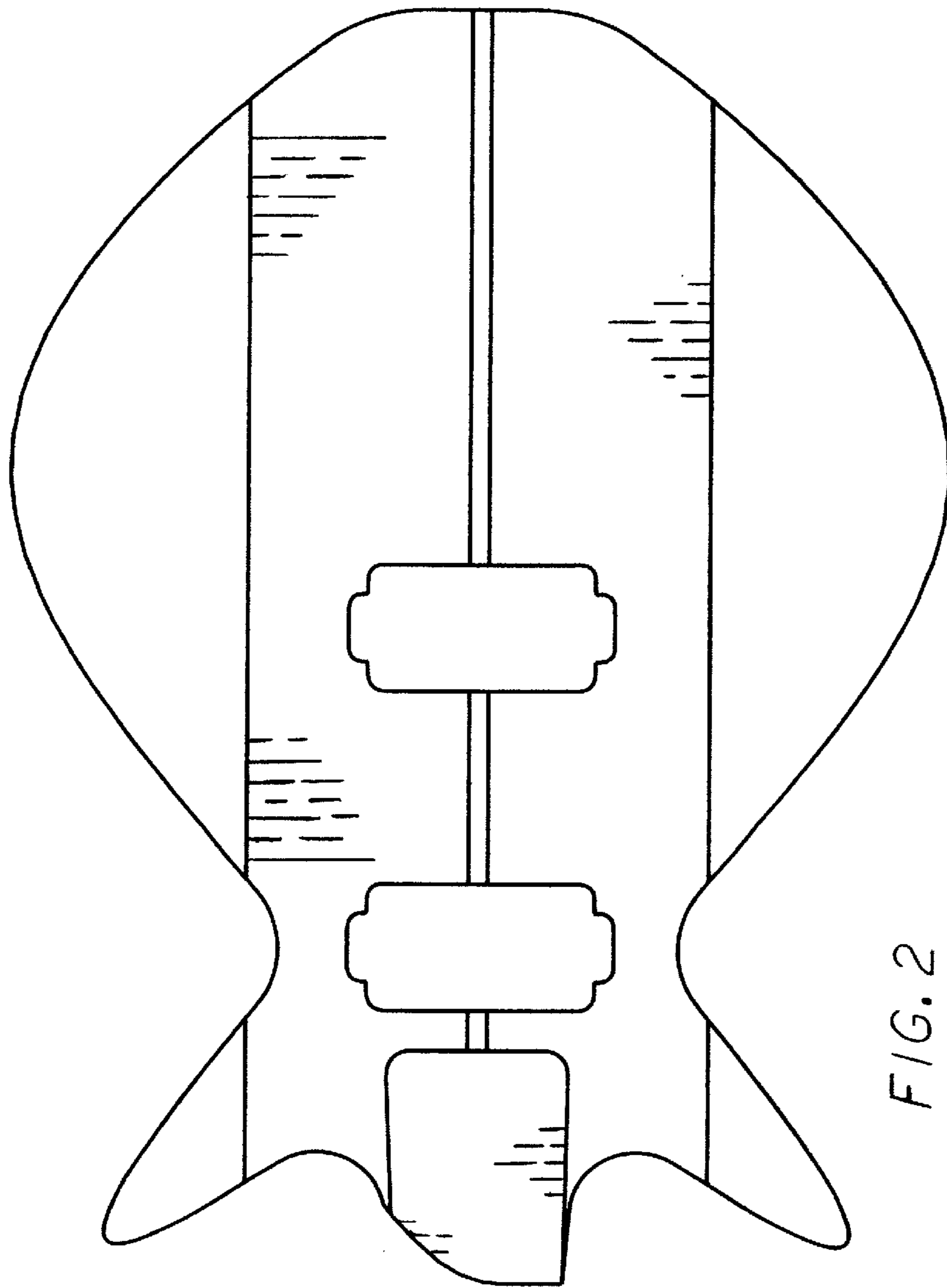
FIG. 1 is a front perspective view of a Kingfish guitar body showing my new design;

FIG. 2 is the front elevational view thereof; and,
FIG. 3 is the rear elevational view thereof.

1 Claim, 3 Drawing Sheets







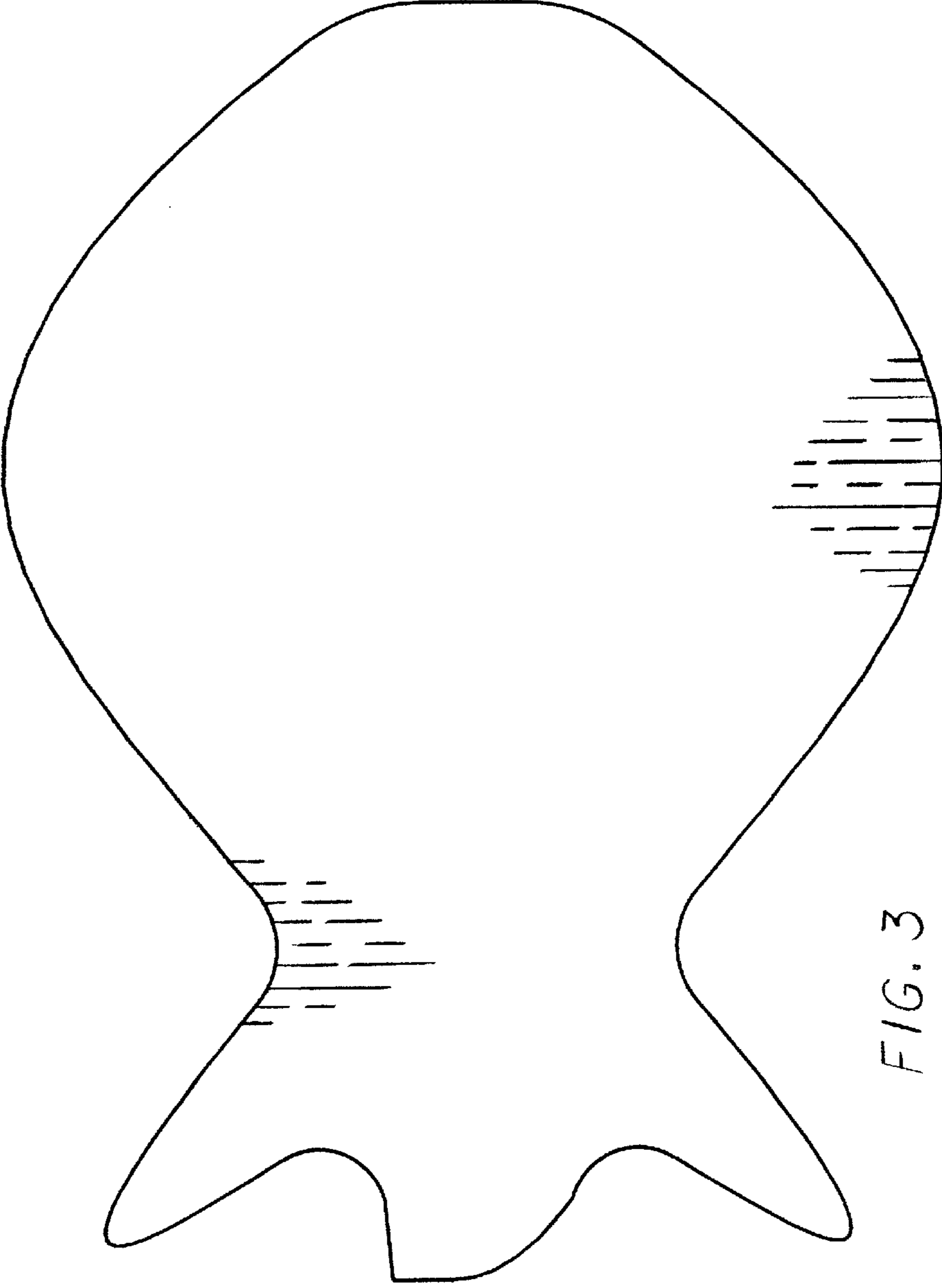


FIG. 3