



US00D529939S

(12) **United States Design Patent**
Wilhelm et al.

(10) **Patent No.:** **US D529,939 S**

(45) **Date of Patent:** **** Oct. 10, 2006**

(54) **GEAR**

D497,374 S * 10/2004 Wittenstein D15/148
2004/0166986 A1 * 8/2004 Bayer et al. 475/331

(75) Inventors: **Thomas Wilhelm**, Creglingen (DE);
Karl-Georg Melber,
Weikersheim-Elpersheim (DE)

* cited by examiner

(73) Assignee: **Wittenstein AG**, Igersheim (DE)

Primary Examiner—Antoine D. Davis

Assistant Examiner—Patricia Palasik

(**) Term: **14 Years**

(74) *Attorney, Agent, or Firm*—Bachman and LaPointe

(21) Appl. No.: **29/226,899**

(57) **CLAIM**

(22) Filed: **Apr. 4, 2005**

The ornamental design of a gear, as shown and described.

(30) **Foreign Application Priority Data**

DESCRIPTION

Nov. 2, 2004 (EM) 000247549

FIG. 1 is a perspective view showing our new design for a gear;

(51) **LOC (8) Cl.** **15-09**

FIG. 2 is a front view of the gear of FIG. 1;

(52) **U.S. Cl.** **D15/148**

FIG. 3 is a side view of the gear of FIG. 1;

(58) **Field of Classification Search** D15/148,
D15/149; 74/395, 411, 640; 475/83, 331-335,
475/345

FIG. 4 is a rear view of the gear of FIG. 1;

See application file for complete search history.

FIG. 5 is a top view of the gear of FIG. 1;

FIG. 6 is a bottom view of the gear of FIG. 1; and,

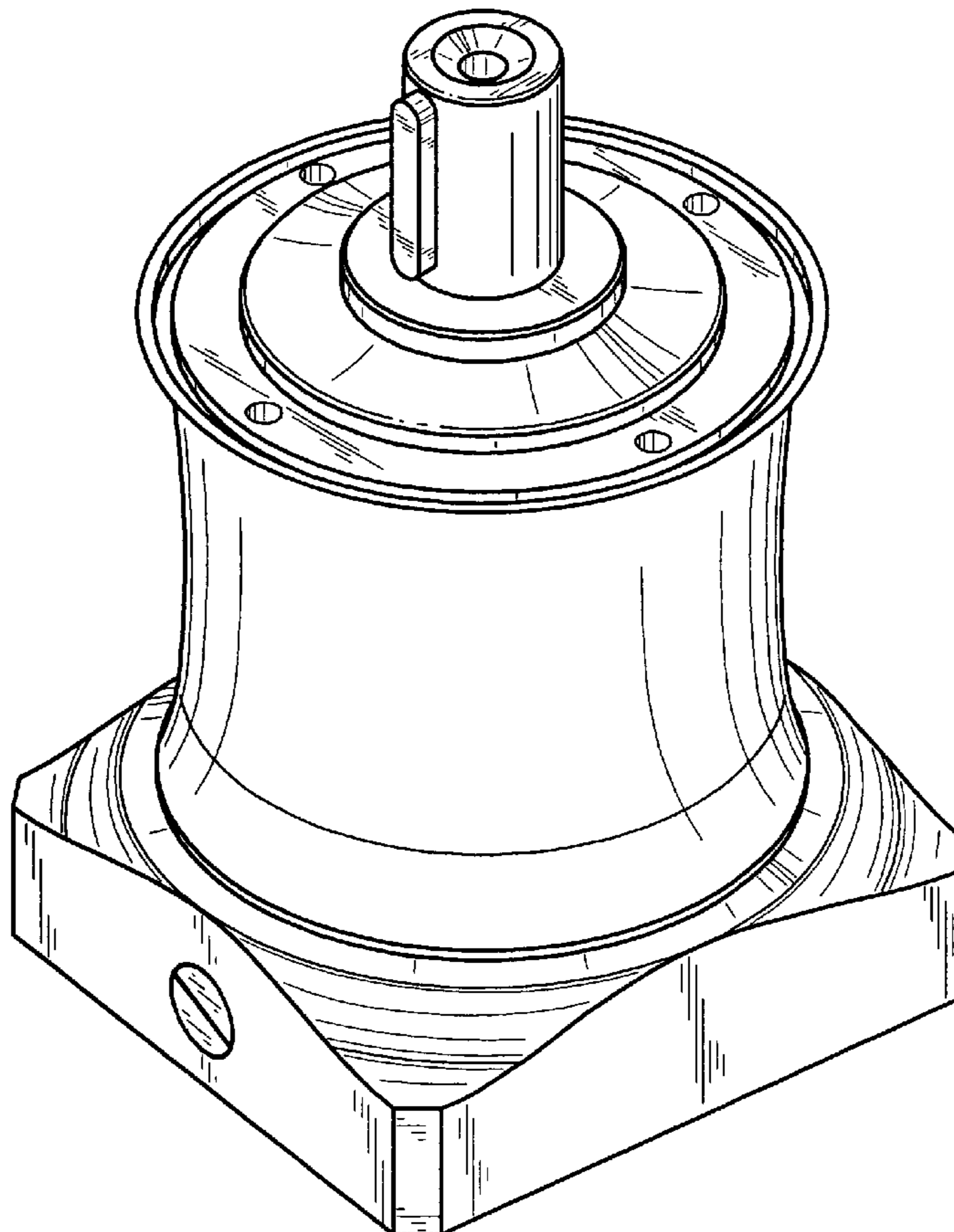
(56) **References Cited**

FIG. 7 is another perspective view of the gear of FIG. 1.

U.S. PATENT DOCUMENTS

D479,541 S * 9/2003 Lannoch D15/148

1 Claim, 4 Drawing Sheets



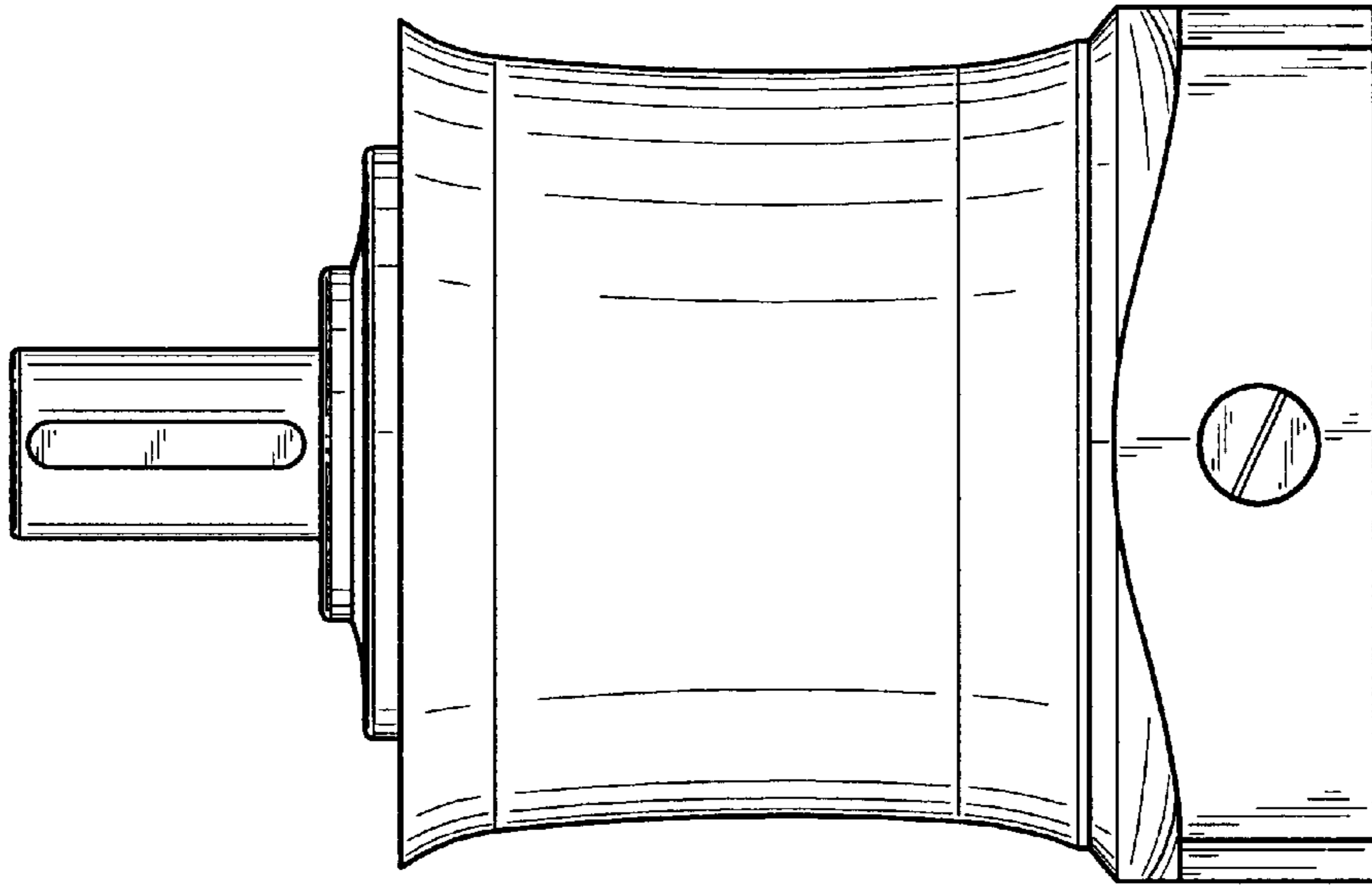


FIG. 2

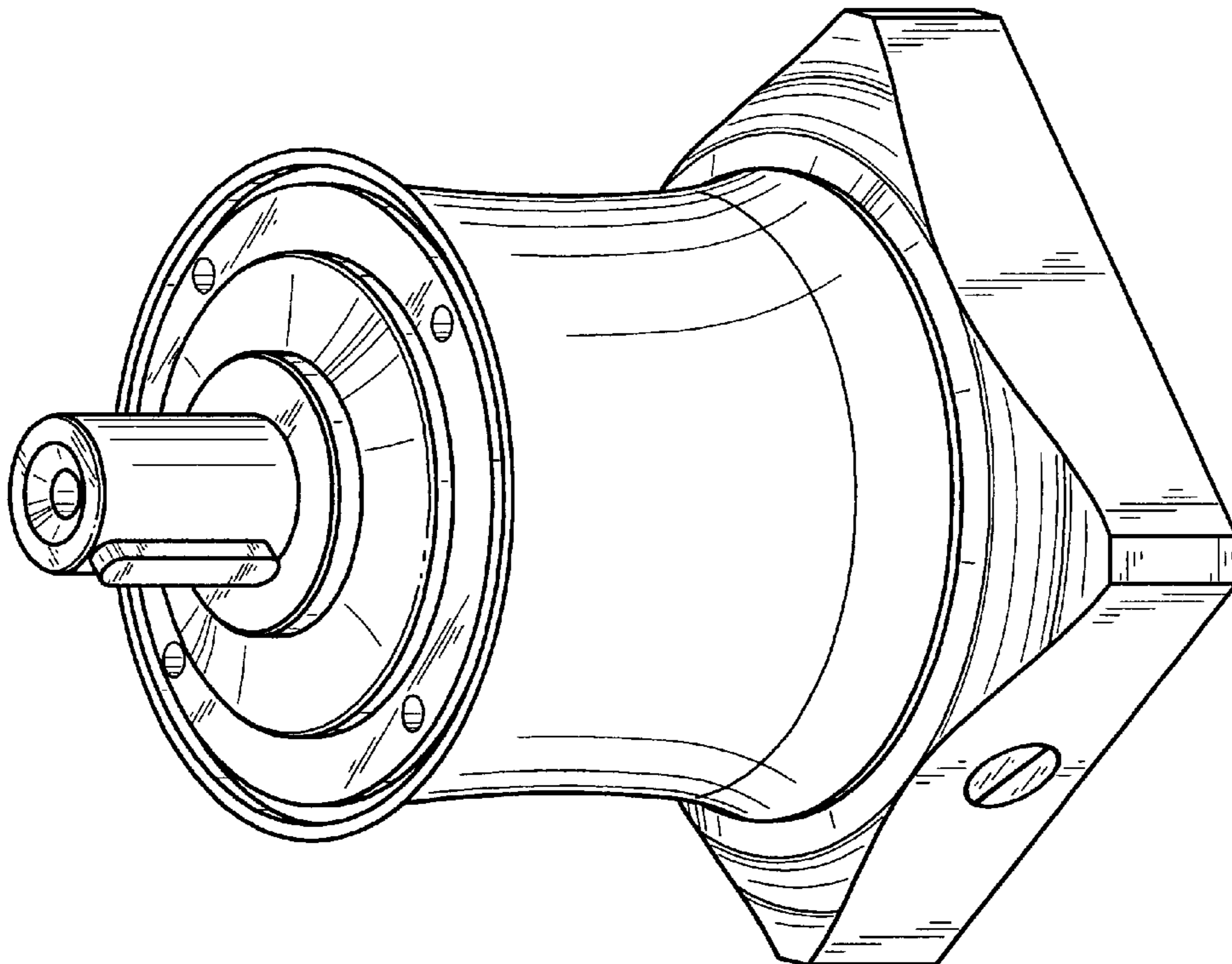


FIG. 1

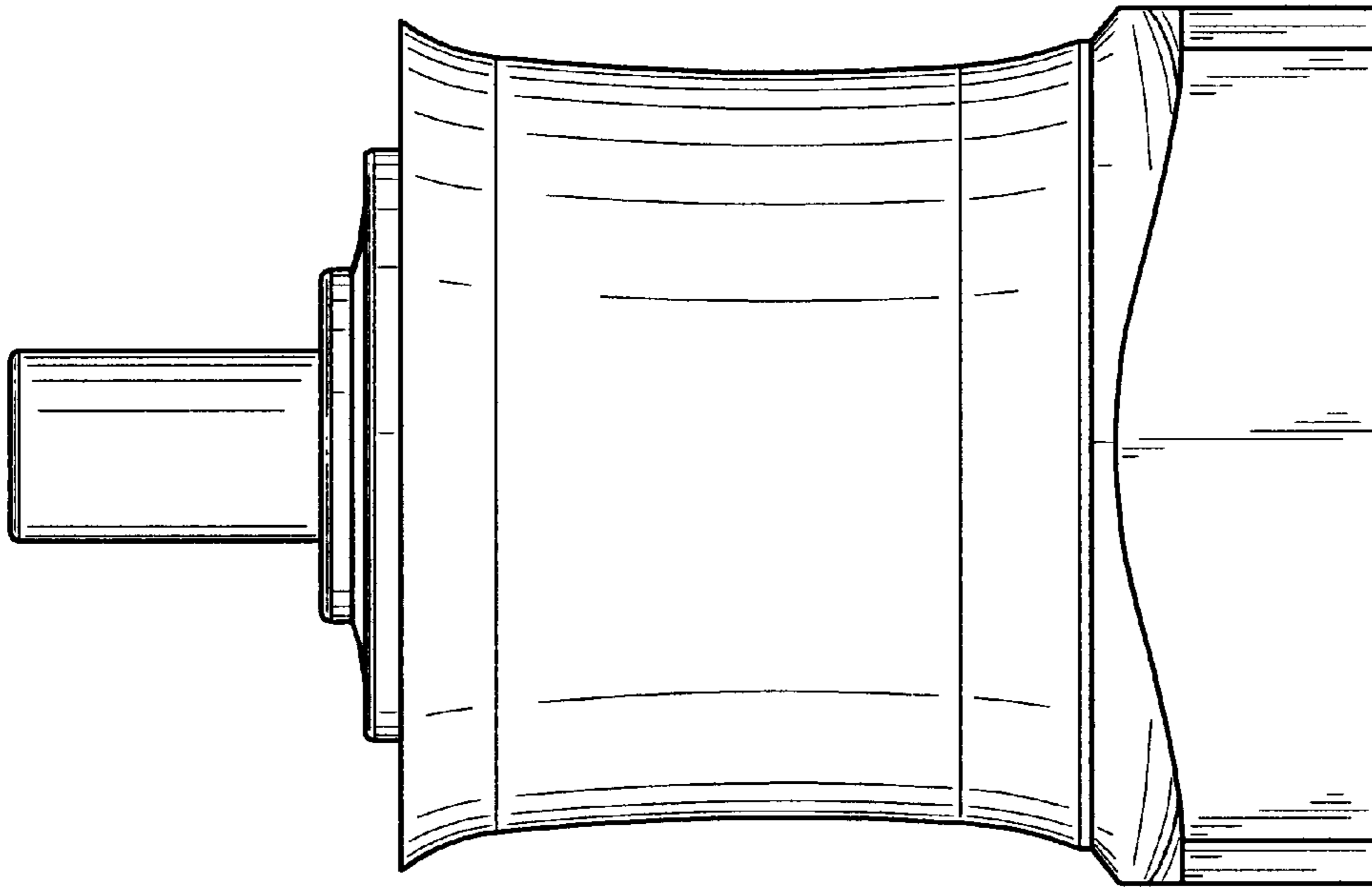


FIG. 4

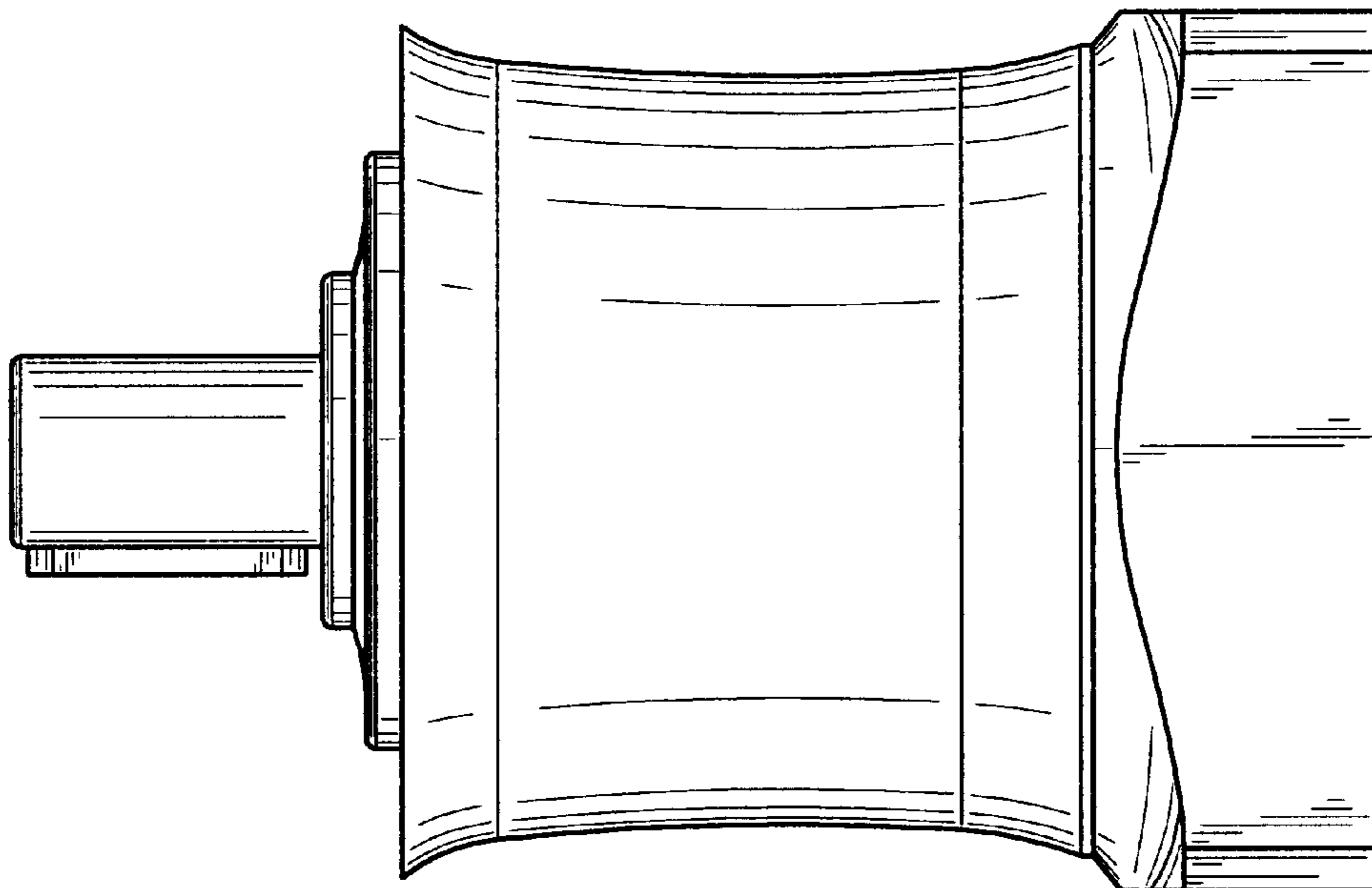


FIG. 3

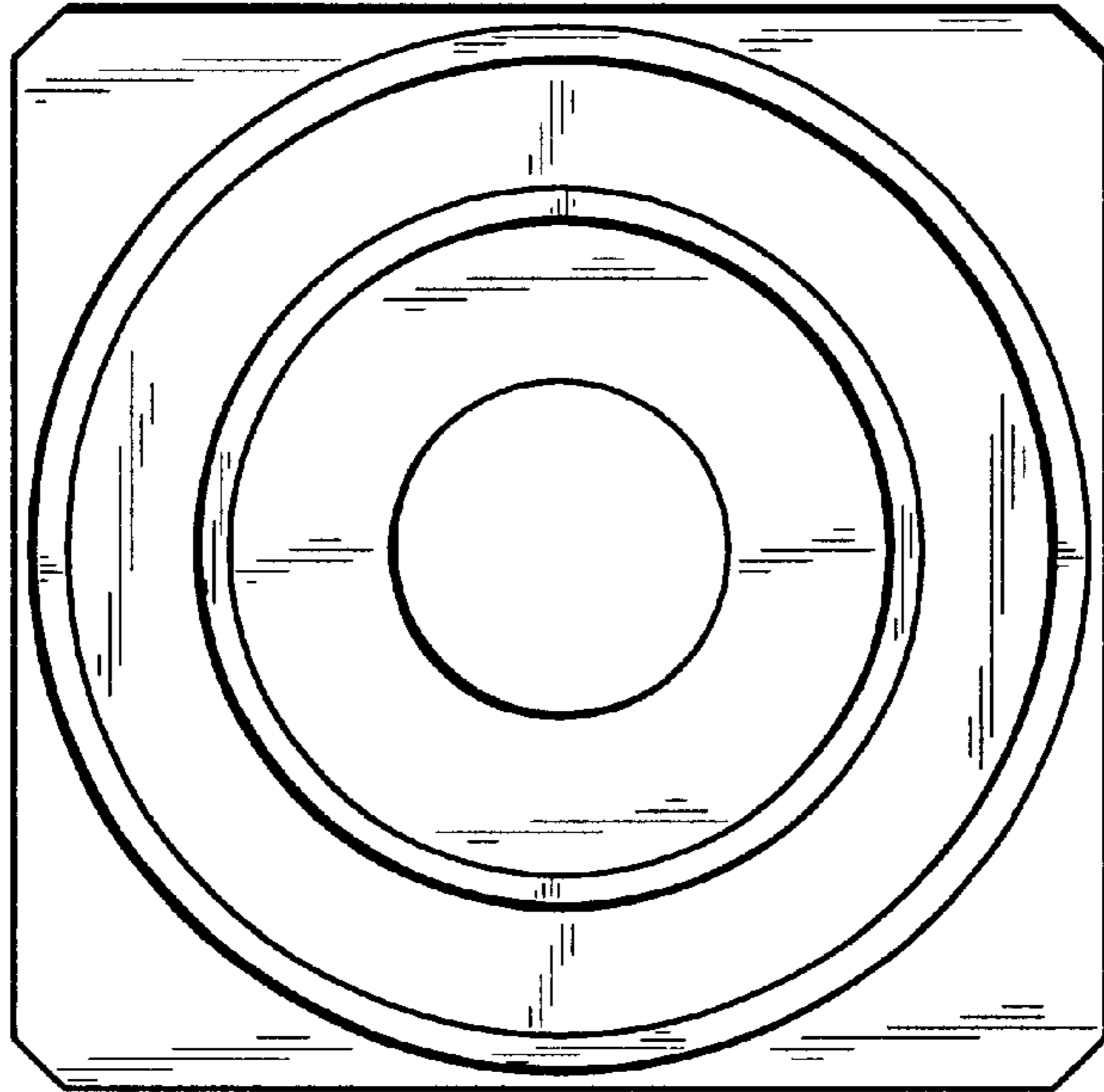


FIG. 6

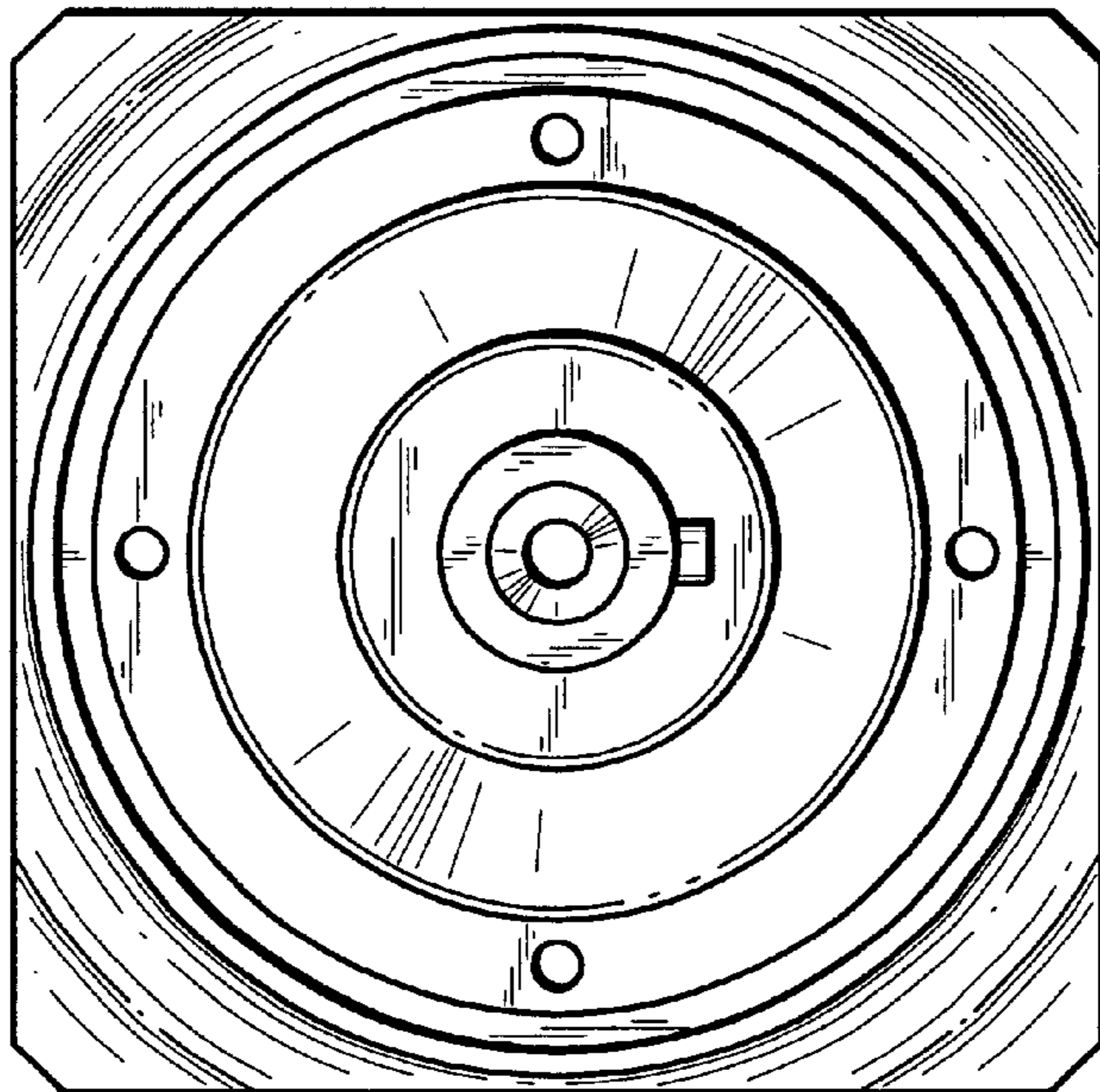


FIG. 5

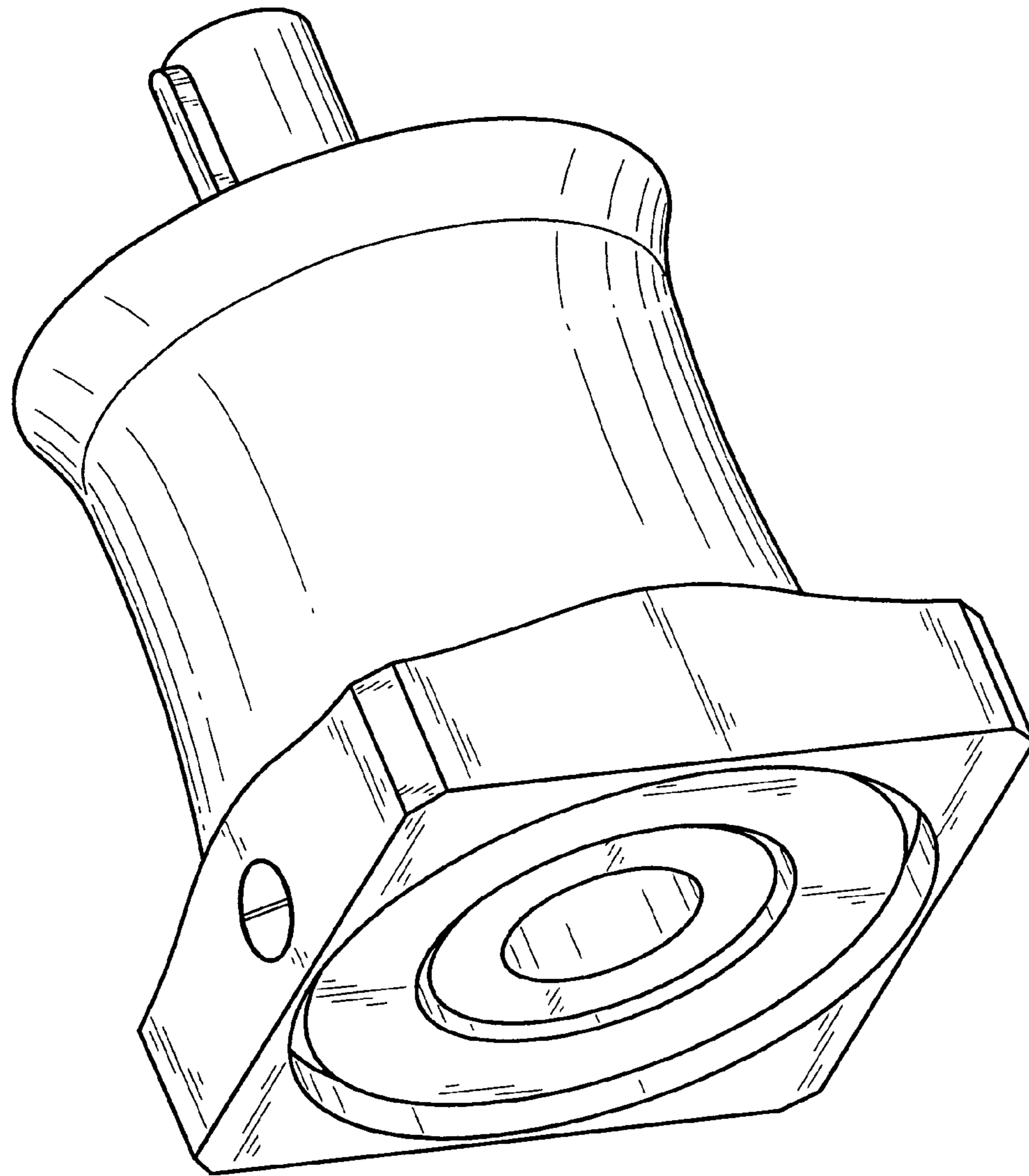


FIG. 7