



US00D529938S

(12) **United States Design Patent**  
**Noda et al.**

(10) **Patent No.:** **US D529,938 S**  
(45) **Date of Patent:** **\*\* Oct. 10, 2006**

(54) **RODLESS CYLINDER**

2005/0253469 A1 \* 11/2005 Hochhalter et al. .... 310/80

(75) Inventors: **Mitsuo Noda**, Ichinomiya (JP);  
**Tsuyoshi Yonezawa**, Aichi (JP);  
**Akiyoshi Horikawa**, Tokyo (JP); **Naoki**  
**Minowa**, Tokyo (JP); **Hiroshi Yoshida**,  
Tokyo (JP)

FOREIGN PATENT DOCUMENTS

JP	7-248006	9/1995
JP	9-112504	5/1997
JP	11-82421	3/1999
JP	11-93911	4/1999

(73) Assignees: **Howa Machinery, Ltd.**, Aichi (JP);  
**Koganei Corporation**, Tokyo (JP)

\* cited by examiner

(\*\*) Term: **14 Years**

*Primary Examiner*—Antoine D. Davis

*Assistant Examiner*—Patricia Palasik

(74) *Attorney, Agent, or Firm*—Finnegan, Henderson,  
Farabow, Garrett and Dunner, L.L.P.

(21) Appl. No.: **29/225,049**

(22) Filed: **Mar. 11, 2005**

(57) **CLAIM**

(30) **Foreign Application Priority Data**

The ornamental design for a rodless cylinder, as shown and described.

Jan. 13, 2005 (JP) ..... 2005-000633

**DESCRIPTION**

(51) **LOC (8) Cl.** ..... **15-09**

(52) **U.S. Cl.** ..... **D15/143**

(58) **Field of Classification Search** ..... D15/5,  
D15/143; 74/89.15, 490.09; 319/20, 80  
See application file for complete search history.

FIG. 1 is a front perspective view of a rodless cylinder showing our new design;  
FIG. 2 is a front view thereof;  
FIG. 3 is a rear view thereof;  
FIG. 4 is a right side elevational view thereof; a left side elevational view being a mirror image of the right side elevational view,  
FIG. 5 is a top plan view thereof;  
FIG. 6 is a bottom plan view thereof; and,  
FIG. 7 is a front perspective view thereof showing a sliding body moved to the opposite end within its movable range.

(56) **References Cited**

U.S. PATENT DOCUMENTS

D365,352 S	*	12/1995	Miyamoto et al. ....	D15/143
D367,863 S	*	3/1996	Shiino et al. ....	D15/5
D375,965 S	*	11/1996	Shiino et al. ....	D15/143
D446,229 S	*	8/2001	Kaneko ....	D15/143
6,476,525 B1	*	11/2002	Sato et al. ....	310/20

**1 Claim, 3 Drawing Sheets**

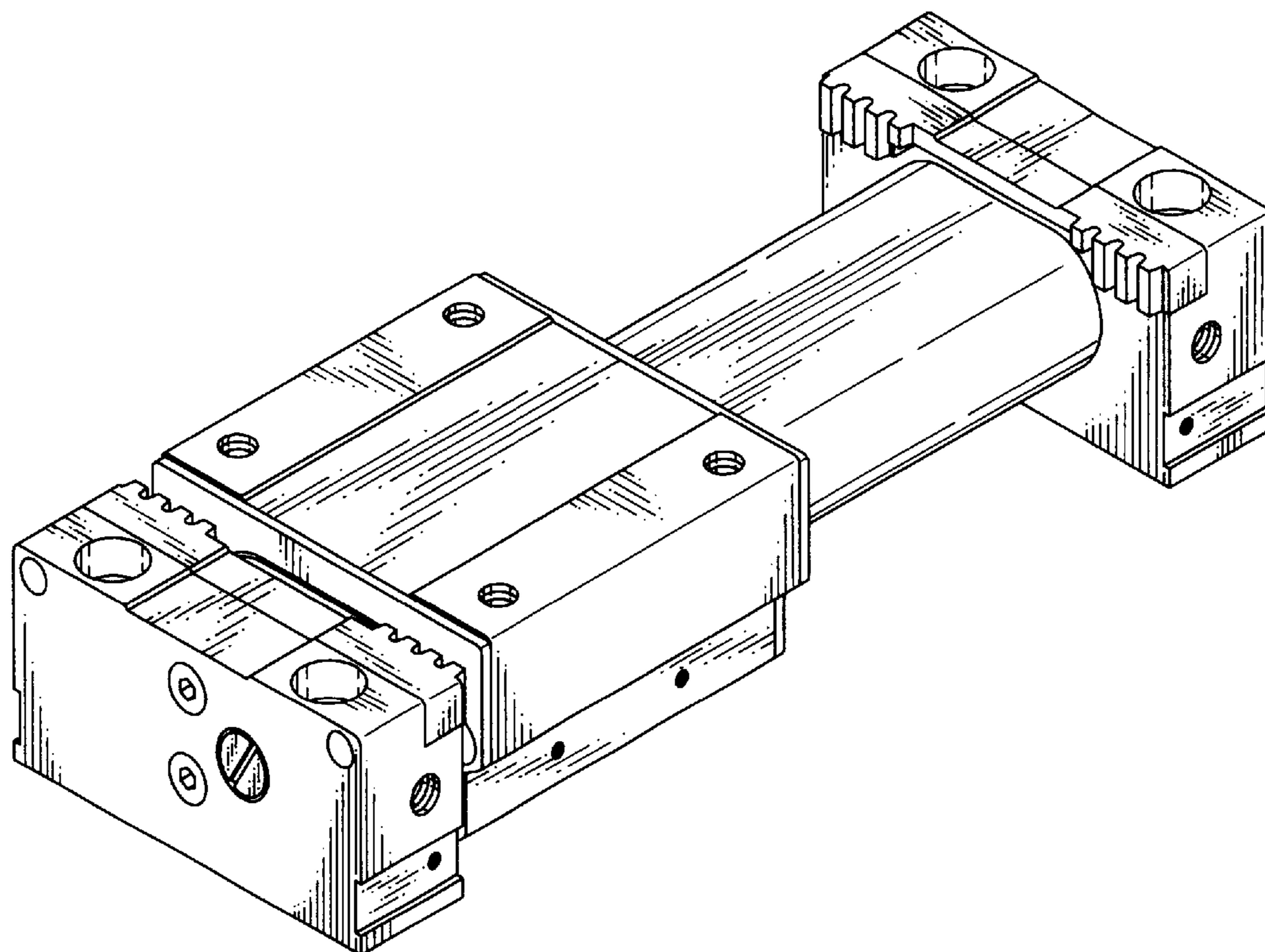


Fig.1

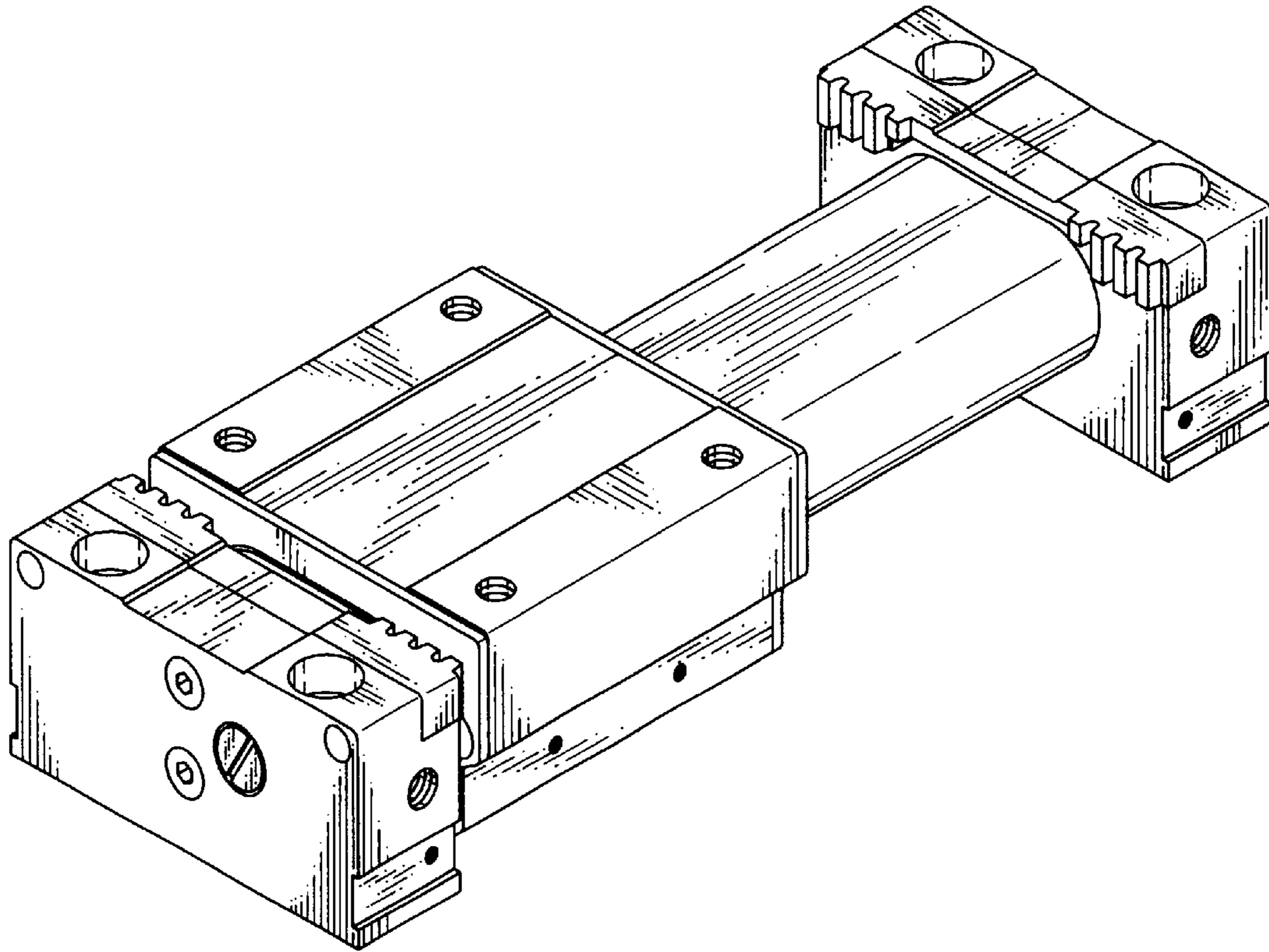


Fig.2

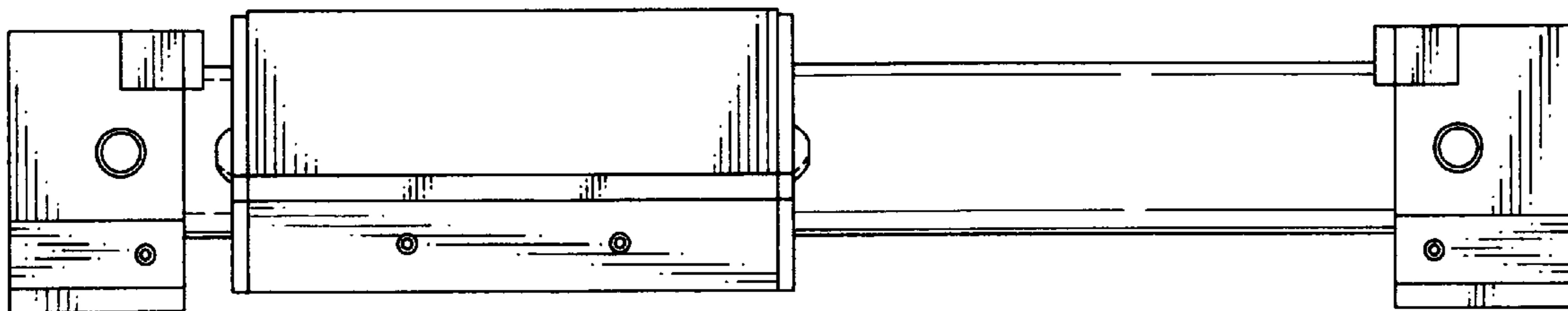


Fig.3

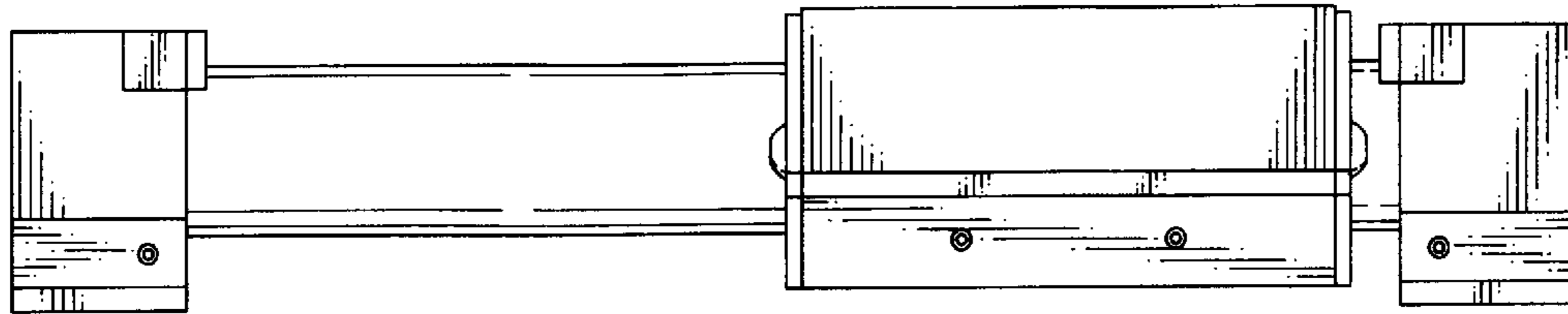


Fig.4

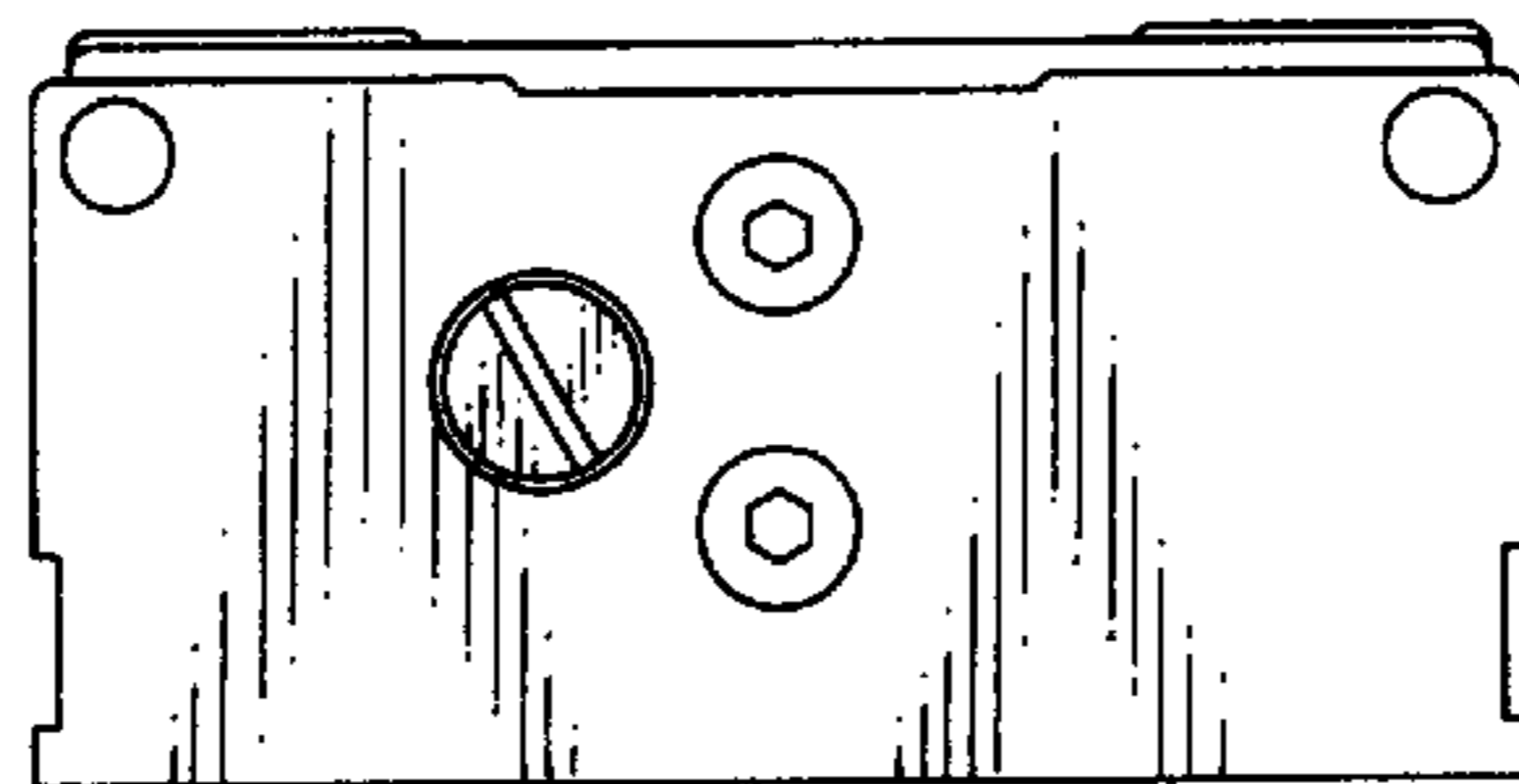


Fig.5

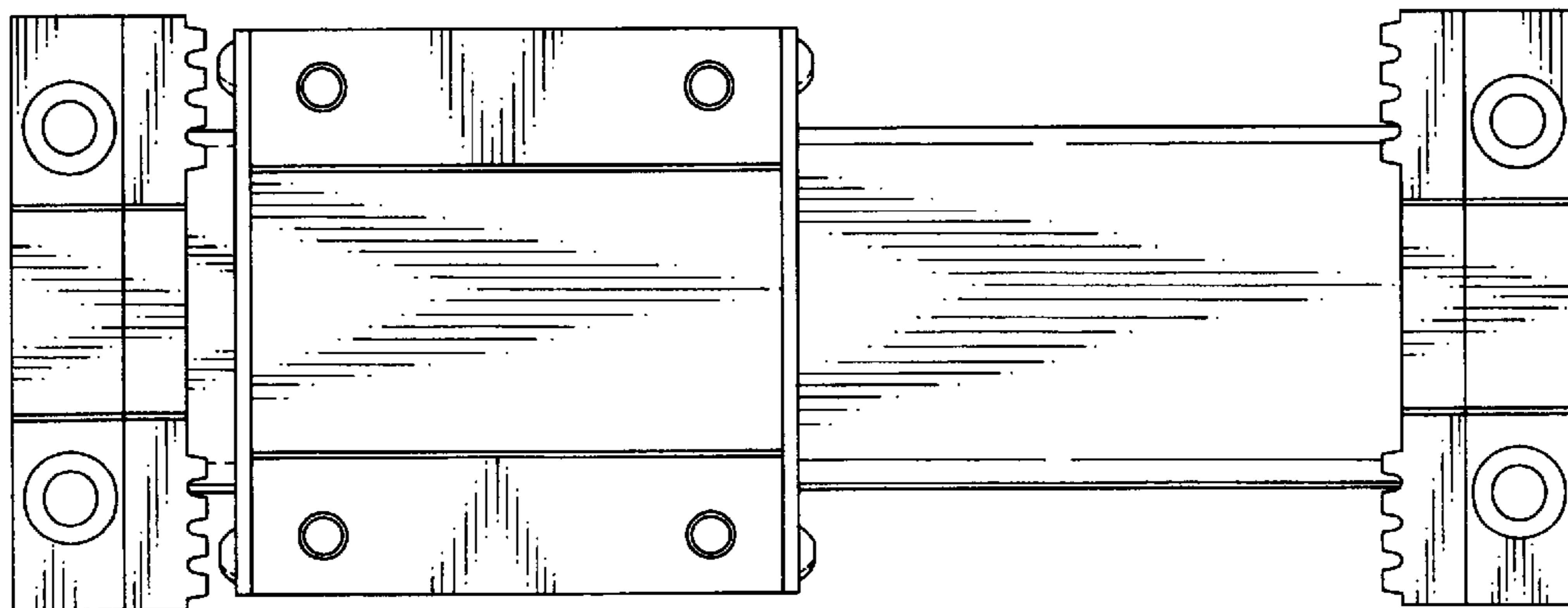


Fig.6

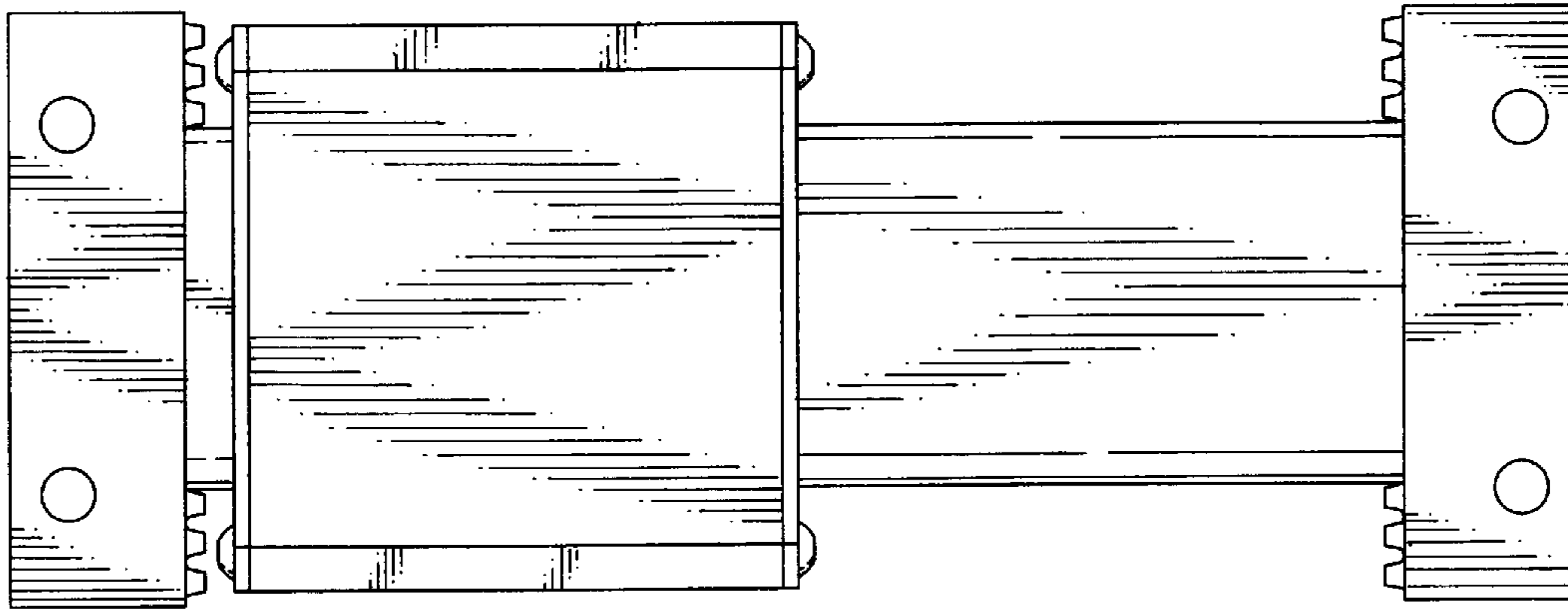


Fig.7

