



US00D529936S

(12) **United States Design Patent**  
**Taniguchi et al.**

(10) **Patent No.:** **US D529,936 S**

(45) **Date of Patent:** **\*\* Oct. 10, 2006**

(54) **SLIDE COMPOUND MITER SAW**  
(75) Inventors: **Takeshi Taniguchi**, Hitachinaka (JP);  
**Masato Sakai**, Hitachinaka (JP);  
**Hideaki Terashima**, Hitachinaka (JP);  
**Shigeharu Ushiwata**, Hitachinaka (JP);  
**Ryuichi Imamura**, Hitachinaka (JP)

(73) Assignee: **Hitachi Koki Co., Ltd.**, Tokyo (JP)

(\*\*) Term: **14 Years**

(21) Appl. No.: **29/237,029**

(22) Filed: **Aug. 26, 2005**

(30) **Foreign Application Priority Data**

Feb. 28, 2005 (JP) ..... 2005-005789

(51) **LOC (8) Cl.** ..... **15-09**

(52) **U.S. Cl.** ..... **D15/133**

(58) **Field of Classification Search** ..... D8/69,  
D8/68, 67; D15/133; 83/397, 468.3, 469,  
83/471.3; 30/377, 378, 388, 391  
See application file for complete search history.

(56) **References Cited**

**U.S. PATENT DOCUMENTS**

D331,416 S \* 12/1992 Fushiya et al. .... D15/133  
D336,652 S \* 6/1993 Arehart ..... D15/133  
D345,743 S \* 4/1994 Garcia ..... D15/133  
D346,173 S \* 4/1994 Price ..... D15/133  
D348,272 S \* 6/1994 Brickner ..... D15/133

D351,393 S \* 10/1994 Sasaki et al. .... D15/133  
D352,509 S \* 11/1994 Kriaski et al. .... D15/133  
D366,491 S \* 1/1996 Chang ..... D15/133  
D374,803 S \* 10/1996 Terpstra et al. .... D8/66  
D383,472 S \* 9/1997 Higuchi et al. .... D15/133  
D388,443 S \* 12/1997 Kondo ..... D15/133  
D389,494 S \* 1/1998 Chen ..... D15/133  
D391,585 S \* 3/1998 Chen ..... D15/133  
D399,219 S \* 10/1998 Chang ..... D15/133  
D412,510 S \* 8/1999 Chen ..... D15/133  
D415,942 S \* 11/1999 Shibata et al. .... D8/66  
D513,271 S \* 12/2005 Ozawa et al. .... D15/133

\* cited by examiner

*Primary Examiner*—Cathron C. Brooks

*Assistant Examiner*—Austin Murphy

(74) *Attorney, Agent, or Firm*—Sughrue Mion, PLLC

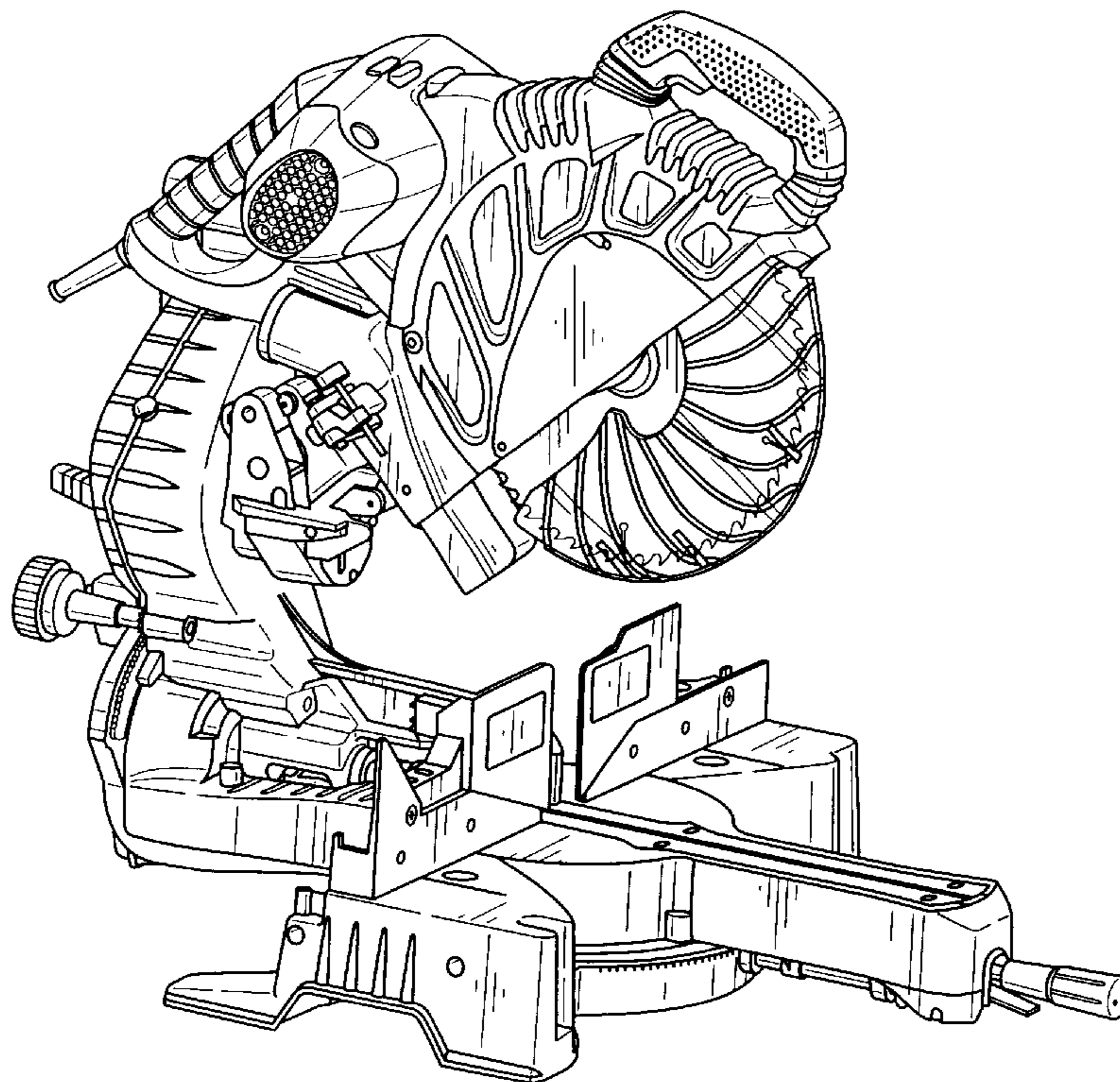
(57) **CLAIM**

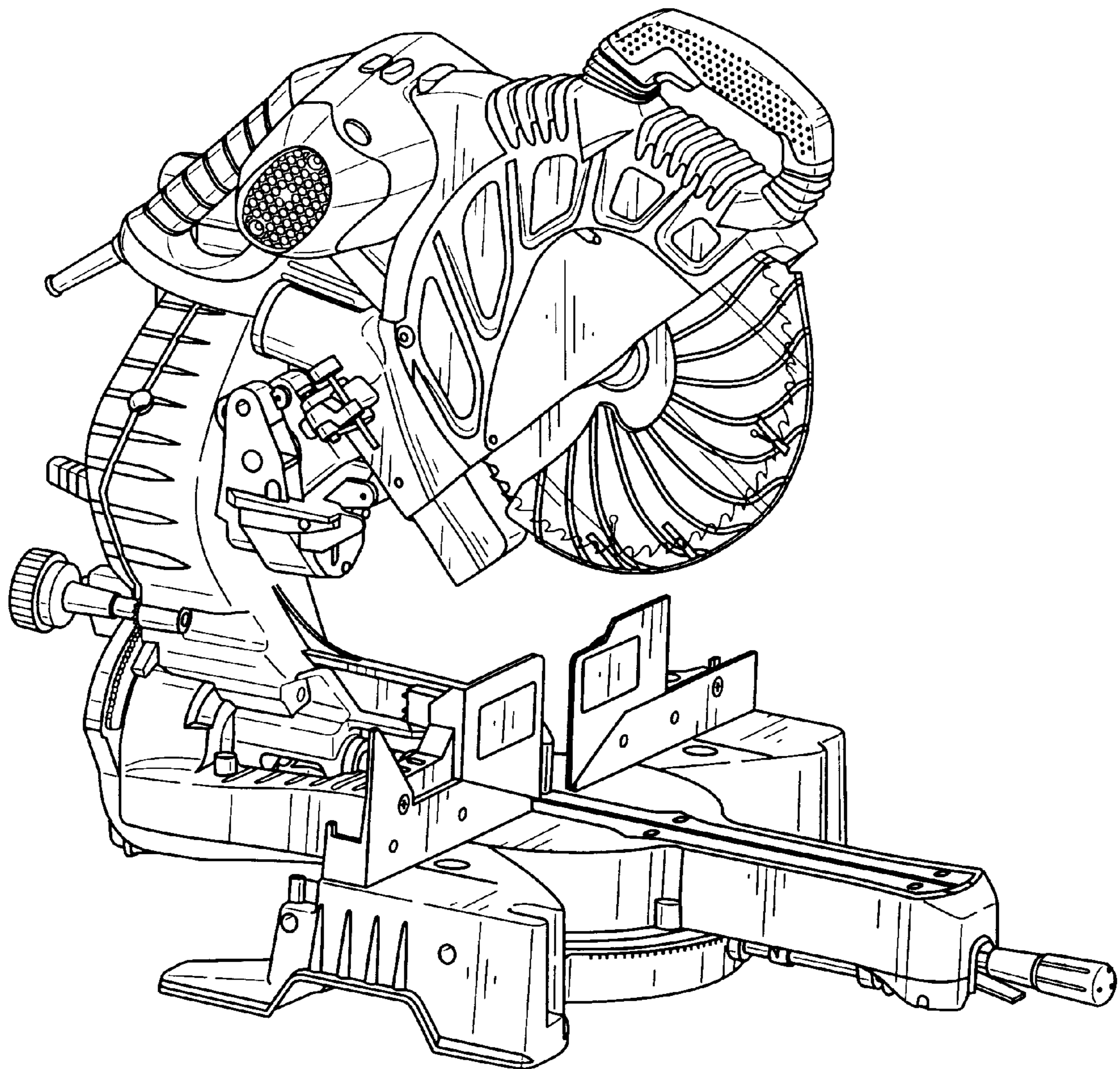
The ornamental design for a slide compound miter saw, as shown.

**DESCRIPTION**

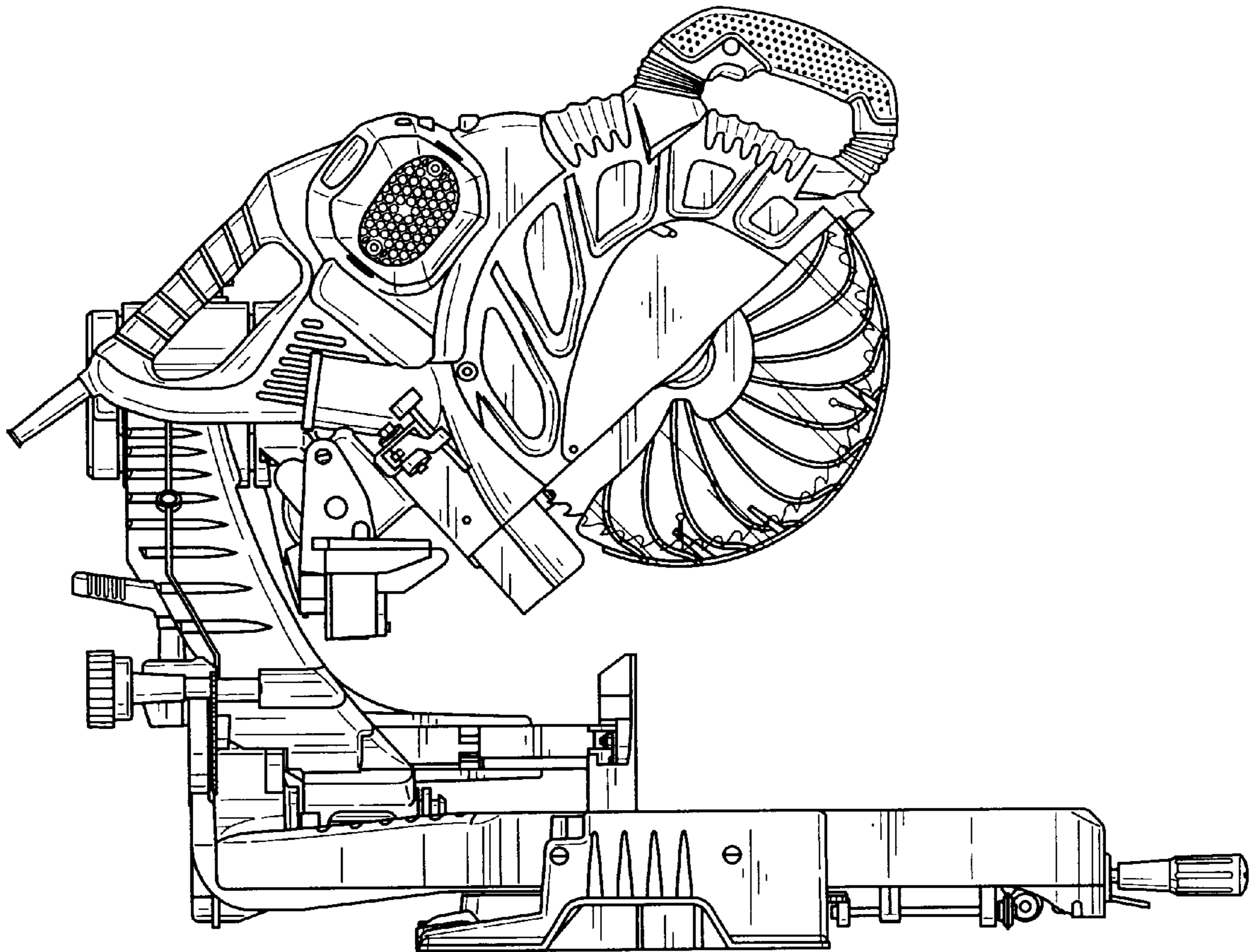
FIG. 1 is a perspective view of the top, front and right side of a slide compound miter saw showing our new design; FIG. 2 is a front elevational view thereof; FIG. 3 is a rear elevational view thereof; FIG. 4 is a left side elevational view thereof; FIG. 5 is a right side elevational view thereof; FIG. 6 is a top plan view thereof; and, FIG. 7 is a bottom plan view thereof.

**1 Claim, 6 Drawing Sheets**

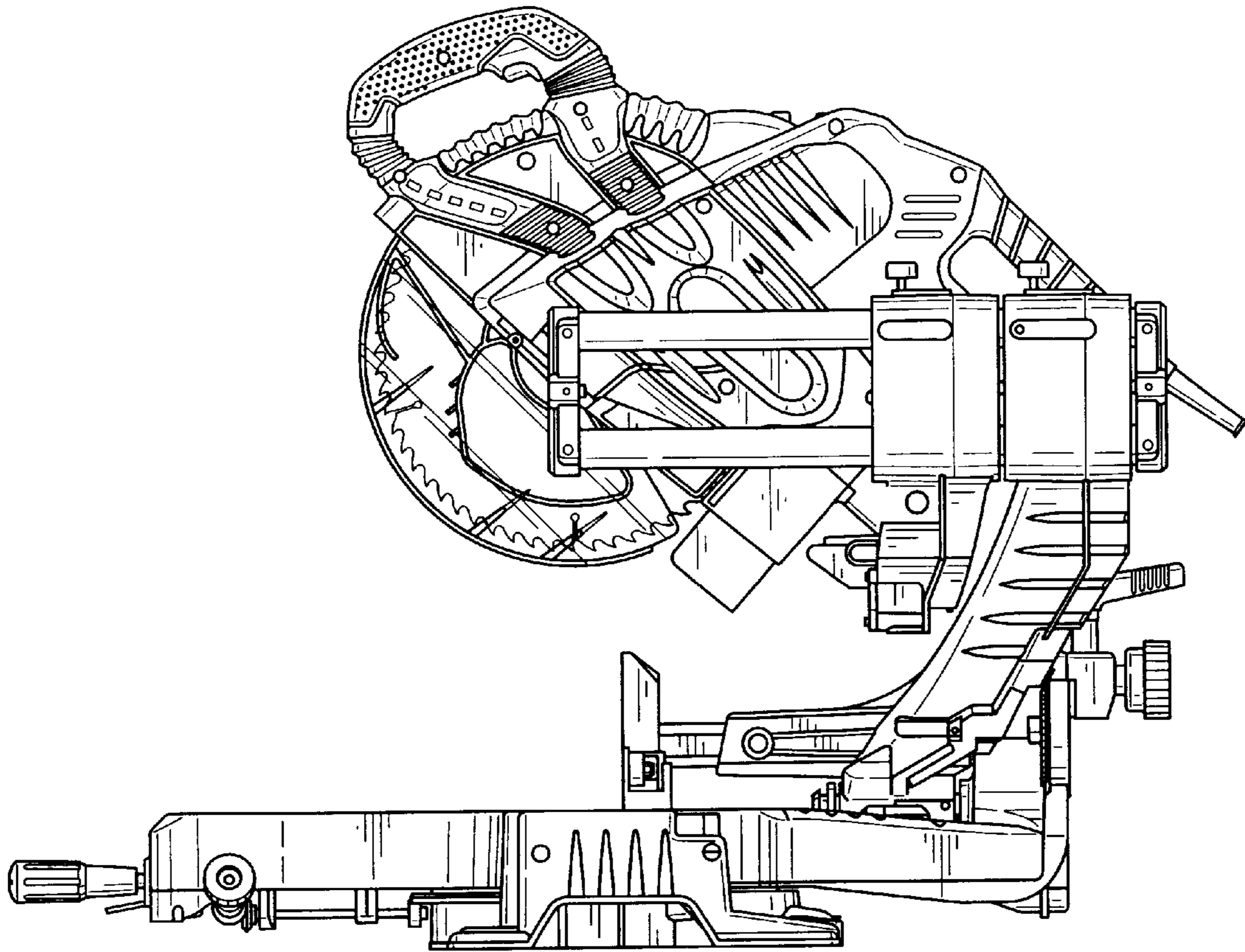




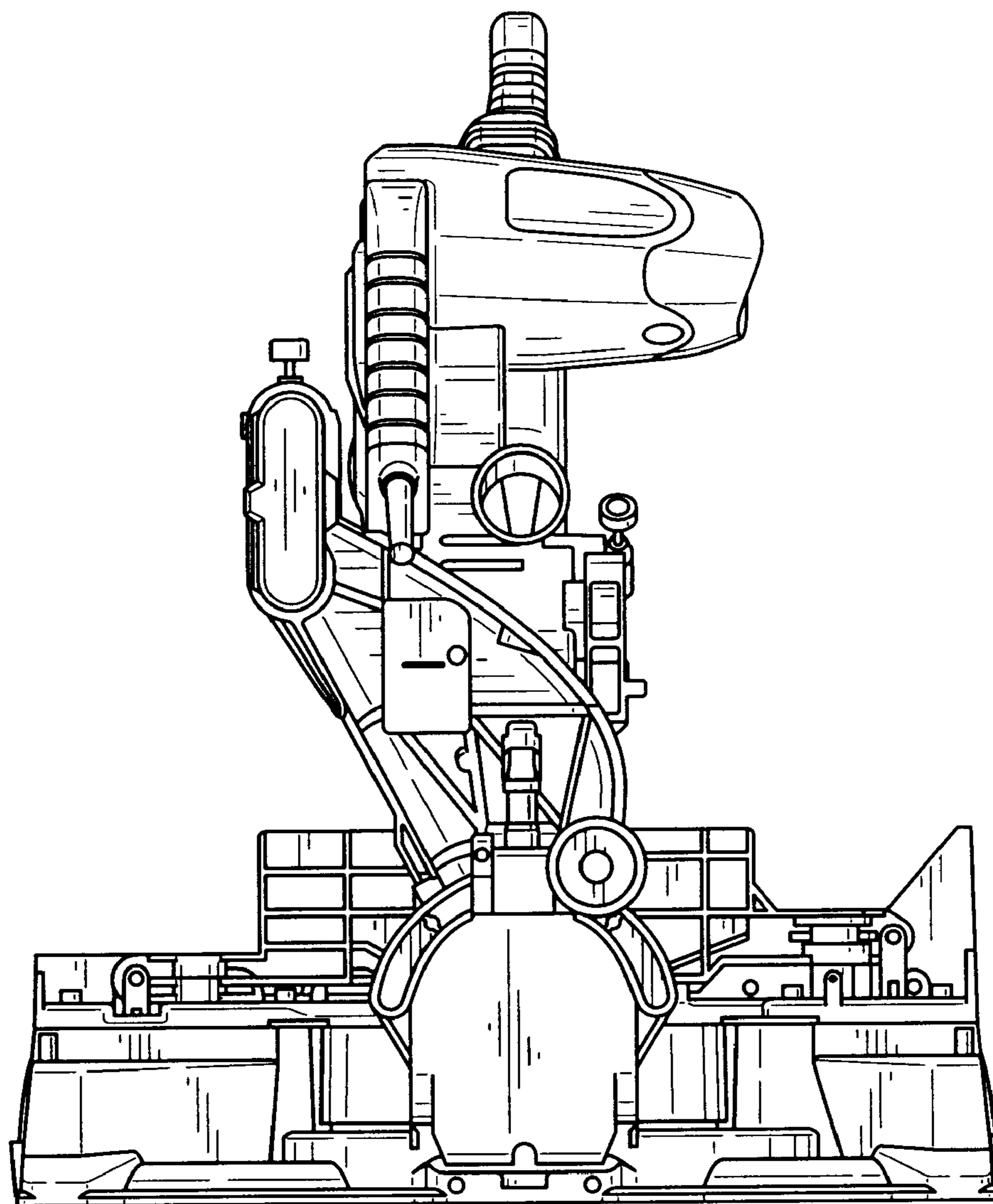
**FIG. 1**



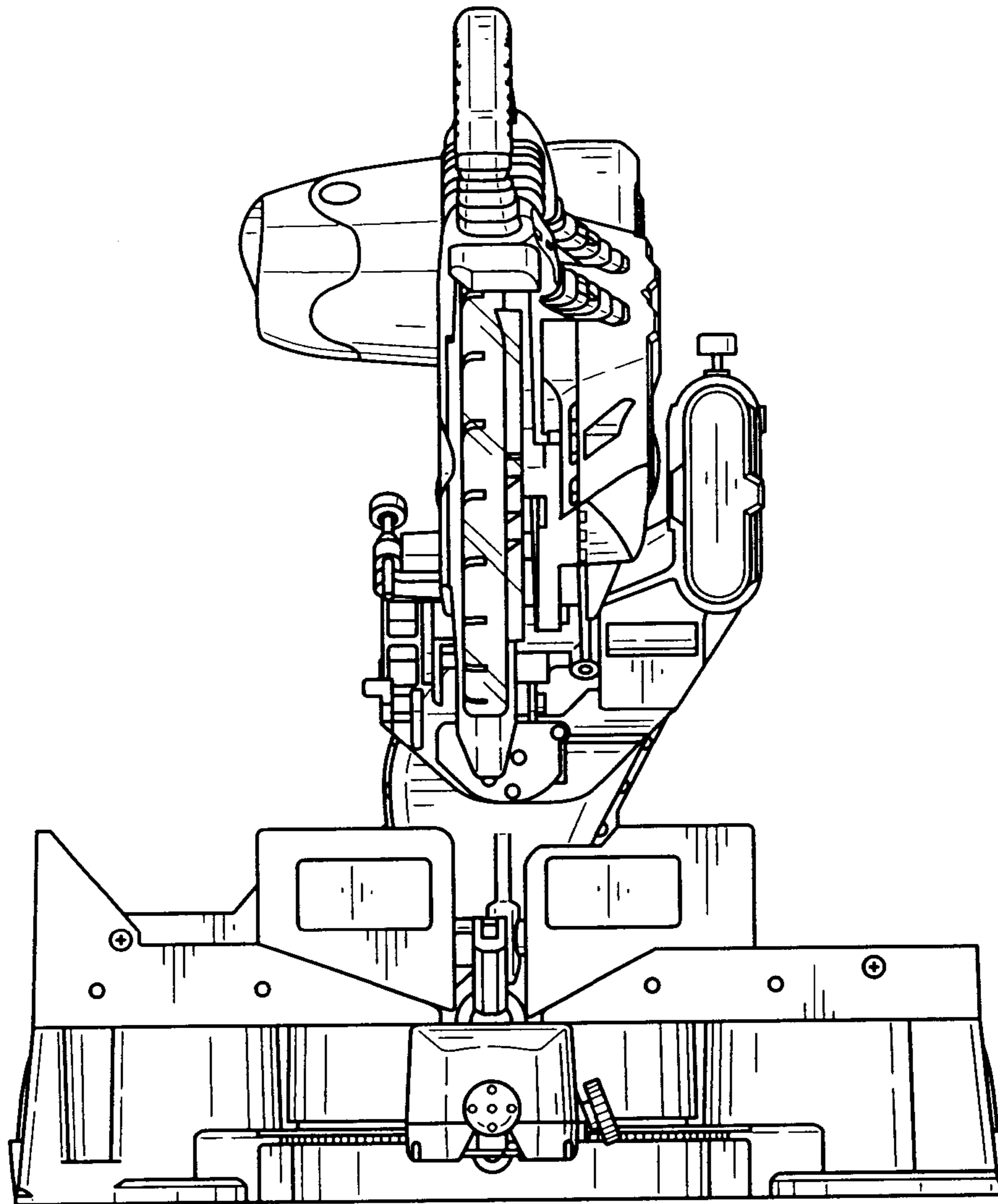
*FIG. 2*



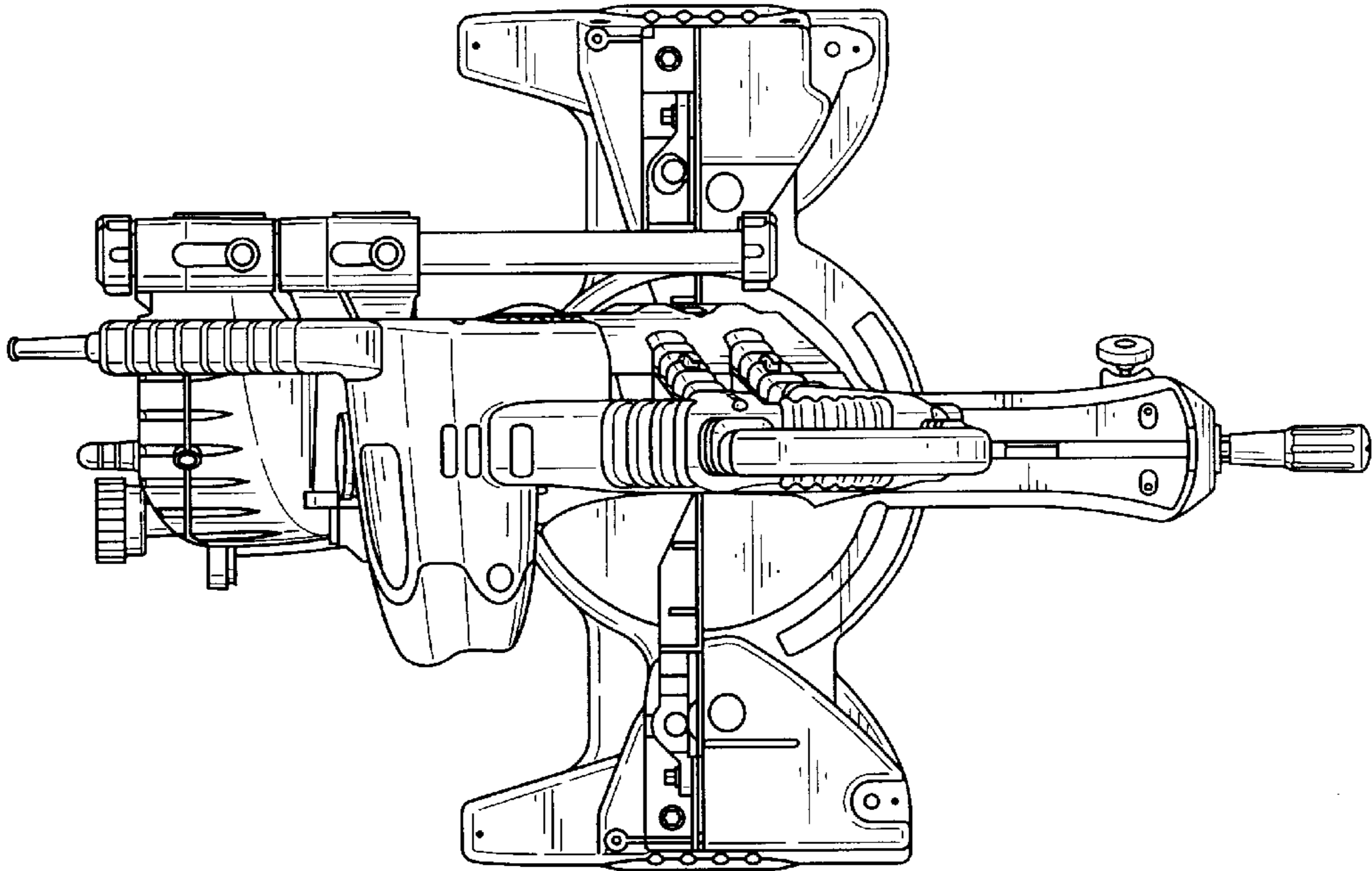
**FIG. 3**



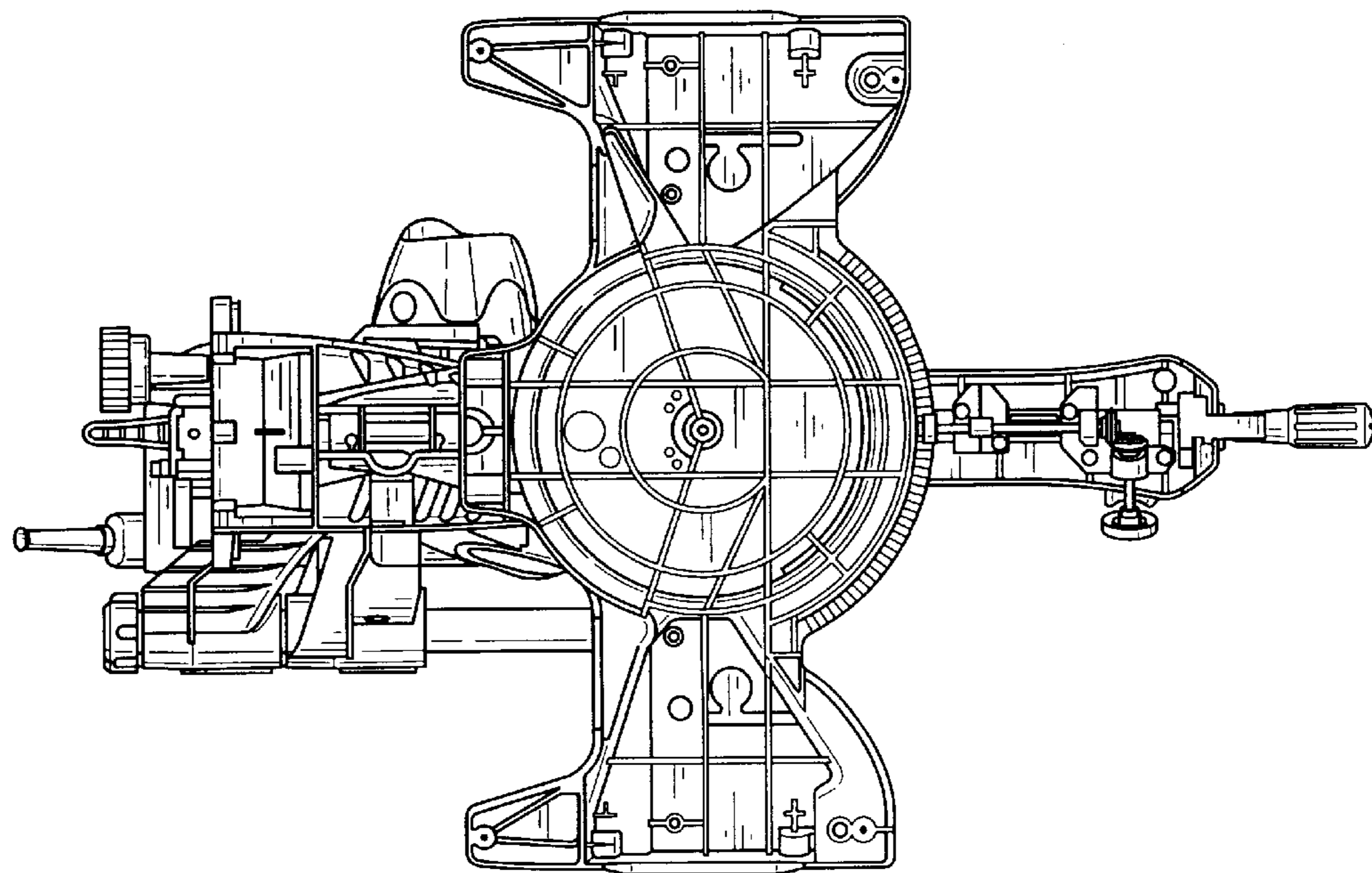
**FIG. 4**



**FIG. 5**



**FIG. 6**



**FIG. 7**