



US00D529931S

(12) **United States Design Patent**
Henssler et al.

(10) **Patent No.:** **US D529,931 S**

(45) **Date of Patent:** **** Oct. 10, 2006**

(54) **LAWN AERATOR**

(75) Inventors: **Heinrich Henssler**, Schwabisch Gmund (DE); **Martin Schultheiss**, Schwabisch Gmund (DE)

(73) Assignee: **Gardena Manufacturing GmbH** (DE)

(**) Term: **14 Years**

(21) Appl. No.: **29/217,326**

(22) Filed: **Nov. 15, 2004**

(30) **Foreign Application Priority Data**

Aug. 11, 1994 (EM) 000214960-0011

(51) **LOC (8) Cl.** **15-03**

(52) **U.S. Cl.** **D15/10**

(58) **Field of Classification Search** D15/10-12, D15/14-18, 21, 27; 56/12.8, 12.7, 13.4, 16.7, 56/17.5, 202, 254, 255, 294, 11.4, 320.1, 56/320.2, 249, 252; 280/43.17; 172/21, 22, 172/429, 349, 546, 554, 552, 532, 371
See application file for complete search history.

(56) **References Cited**

U.S. PATENT DOCUMENTS

2,483,846 A * 10/1949 Roche et al. 56/249

2,722,795 A * 11/1955 Warner 56/249
2,827,751 A * 3/1958 Mascaro 56/249
3,062,300 A * 11/1962 Bullard 172/21
4,344,273 A * 8/1982 Jobling et al. 56/16.7
D281,693 S * 12/1985 Doering D15/27
4,601,163 A * 7/1986 Trelford 56/16.7
D367,593 S * 3/1996 De Larue D8/1
5,803,181 A * 9/1998 Hsu 172/21

* cited by examiner

Primary Examiner—Stella Reid

Assistant Examiner—Mark A. Goodwin

(74) *Attorney, Agent, or Firm*—Akerman Senterfitt

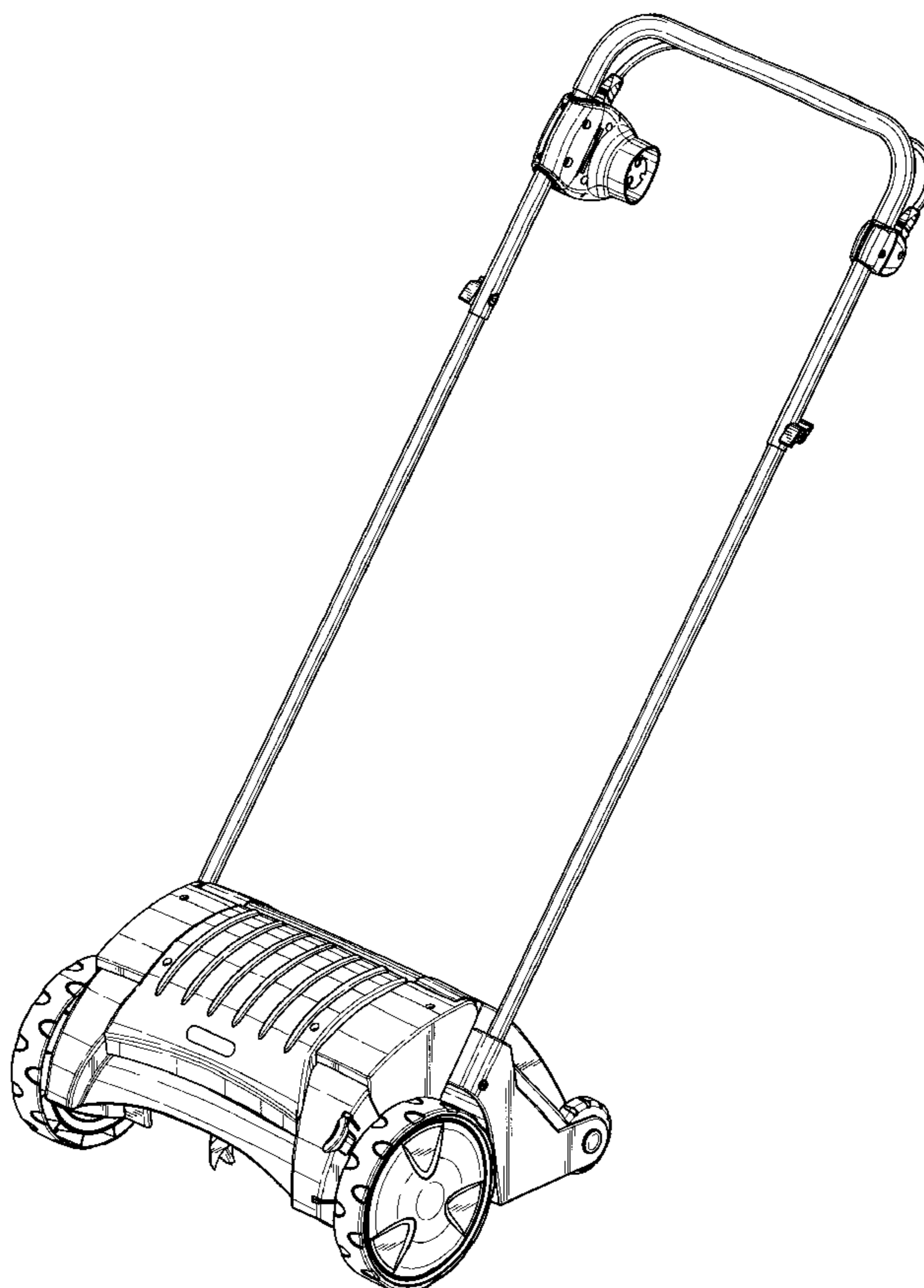
(57) **CLAIM**

The ornamental design for a lawn aerator, as shown and described.

DESCRIPTION

FIG. 1 is a side perspective view of the lawn aerator showing our new design;
FIG. 2 is a rear elevation view thereof;
FIG. 3 is a front elevation view thereof;
FIG. 4 is a side elevation view thereof;
FIG. 5 is the opposite side elevation view thereof;
FIG. 6 is a top plan view thereof; and,
FIG. 7 is a bottom plan view thereof.

1 Claim, 6 Drawing Sheets



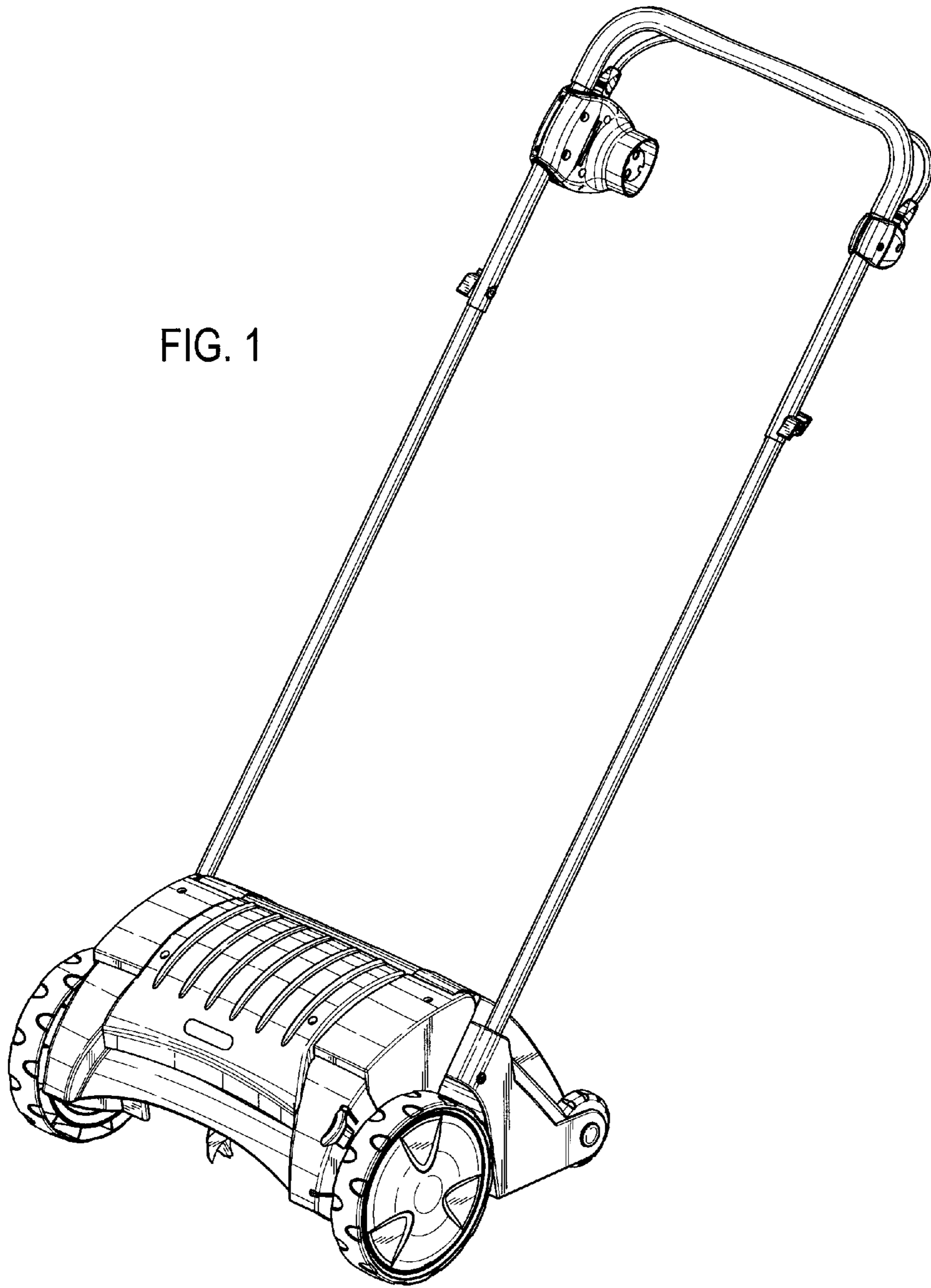


FIG. 1

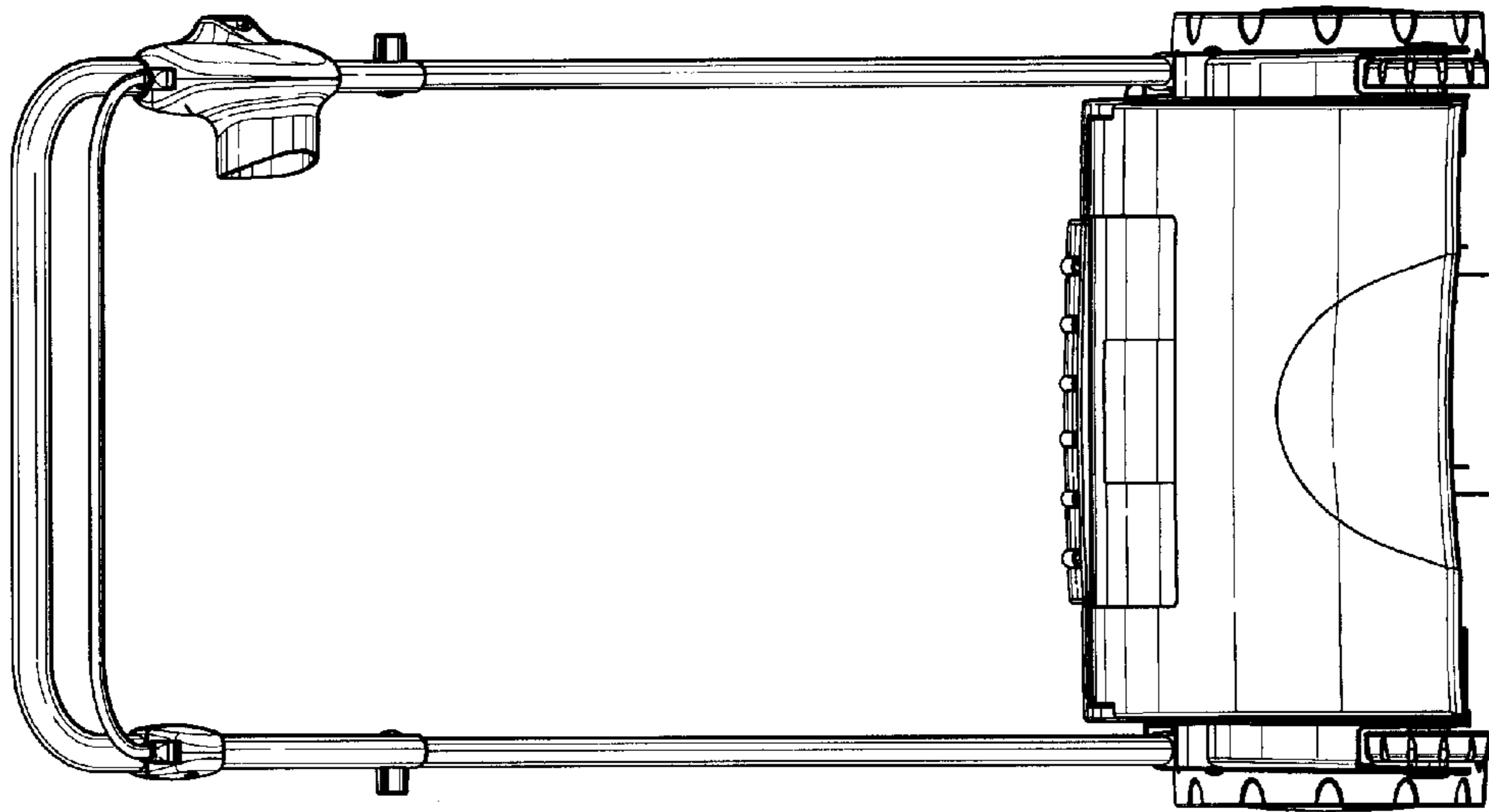


FIG. 3

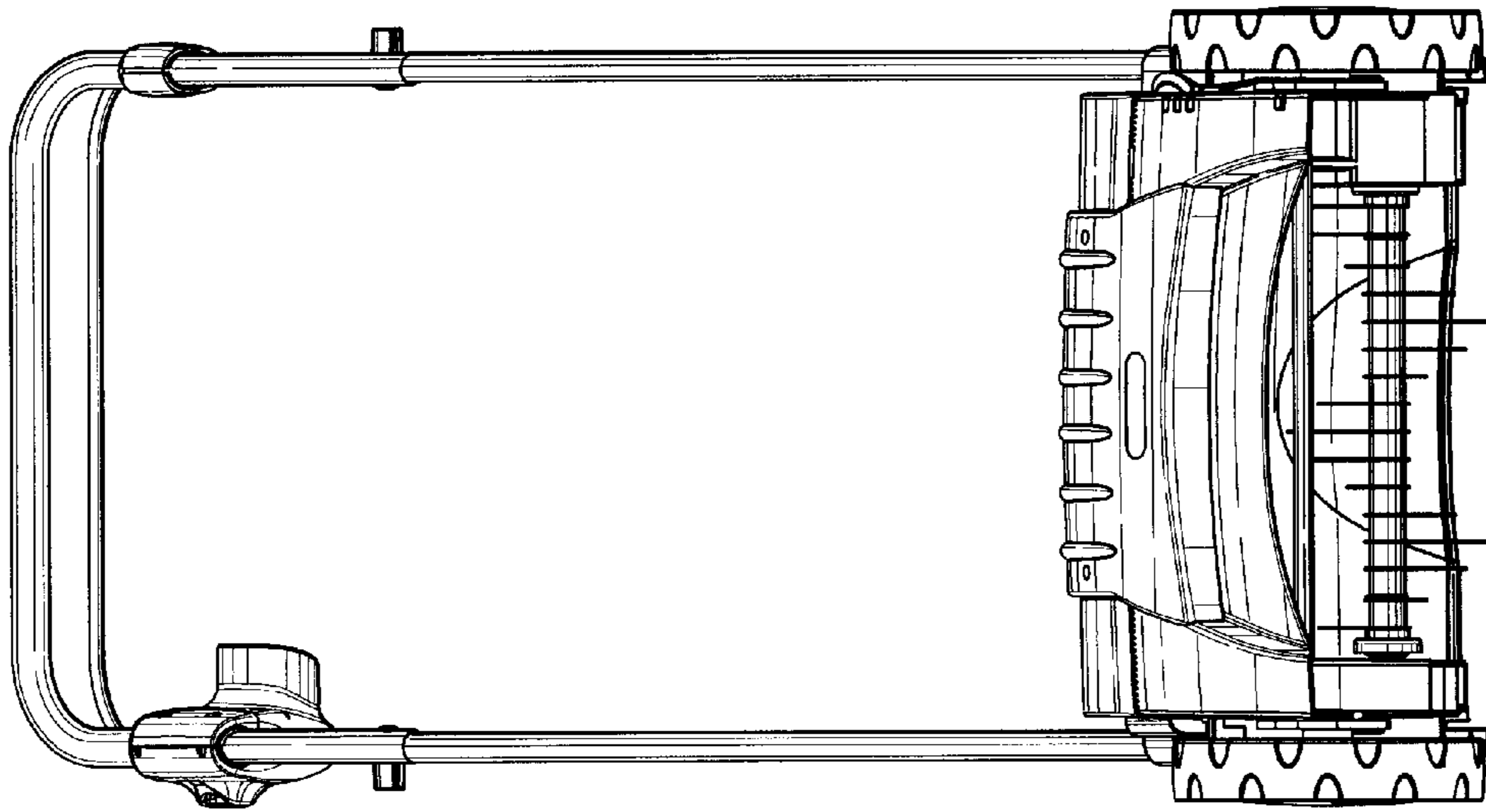


FIG. 2

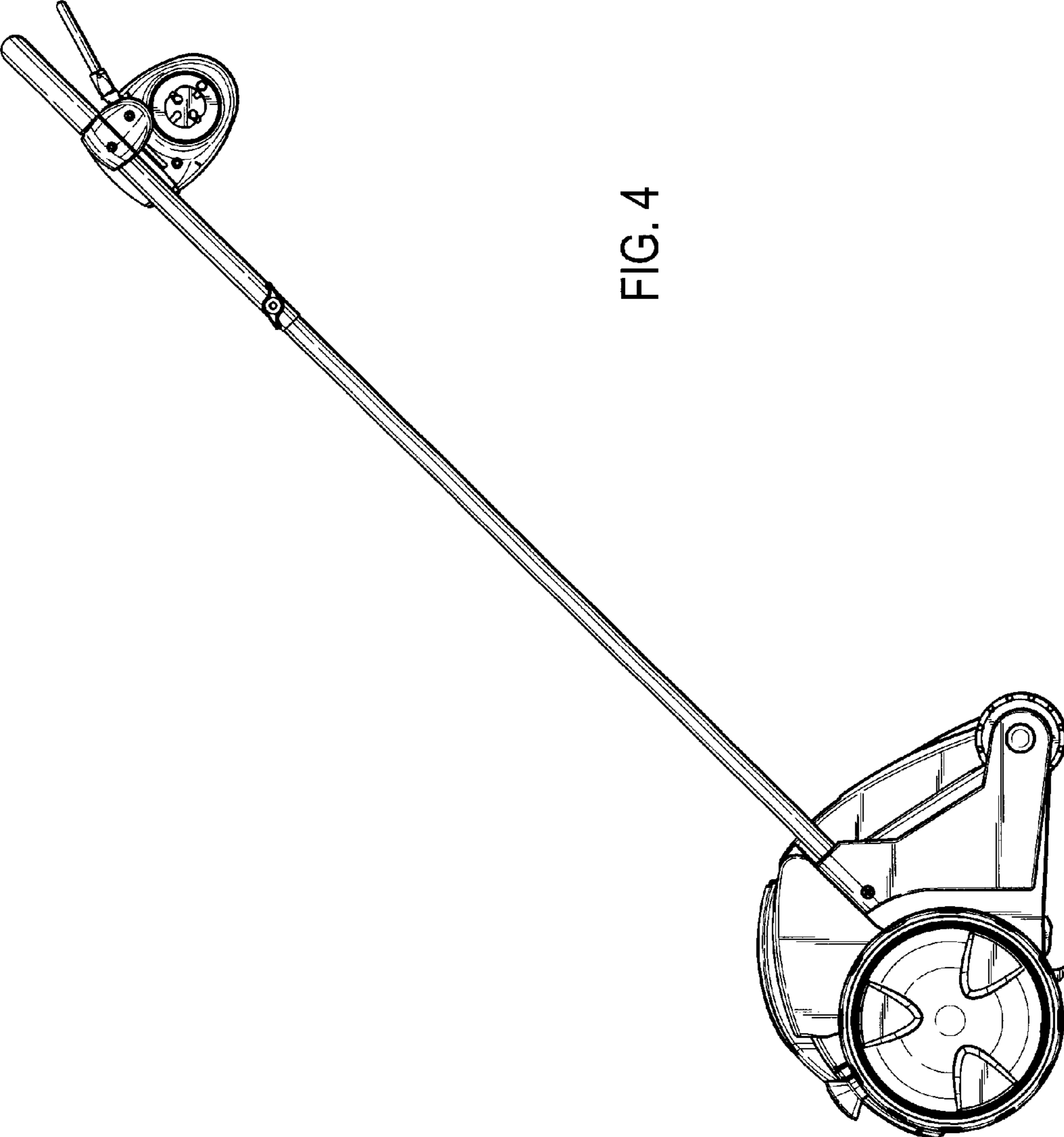


FIG. 4

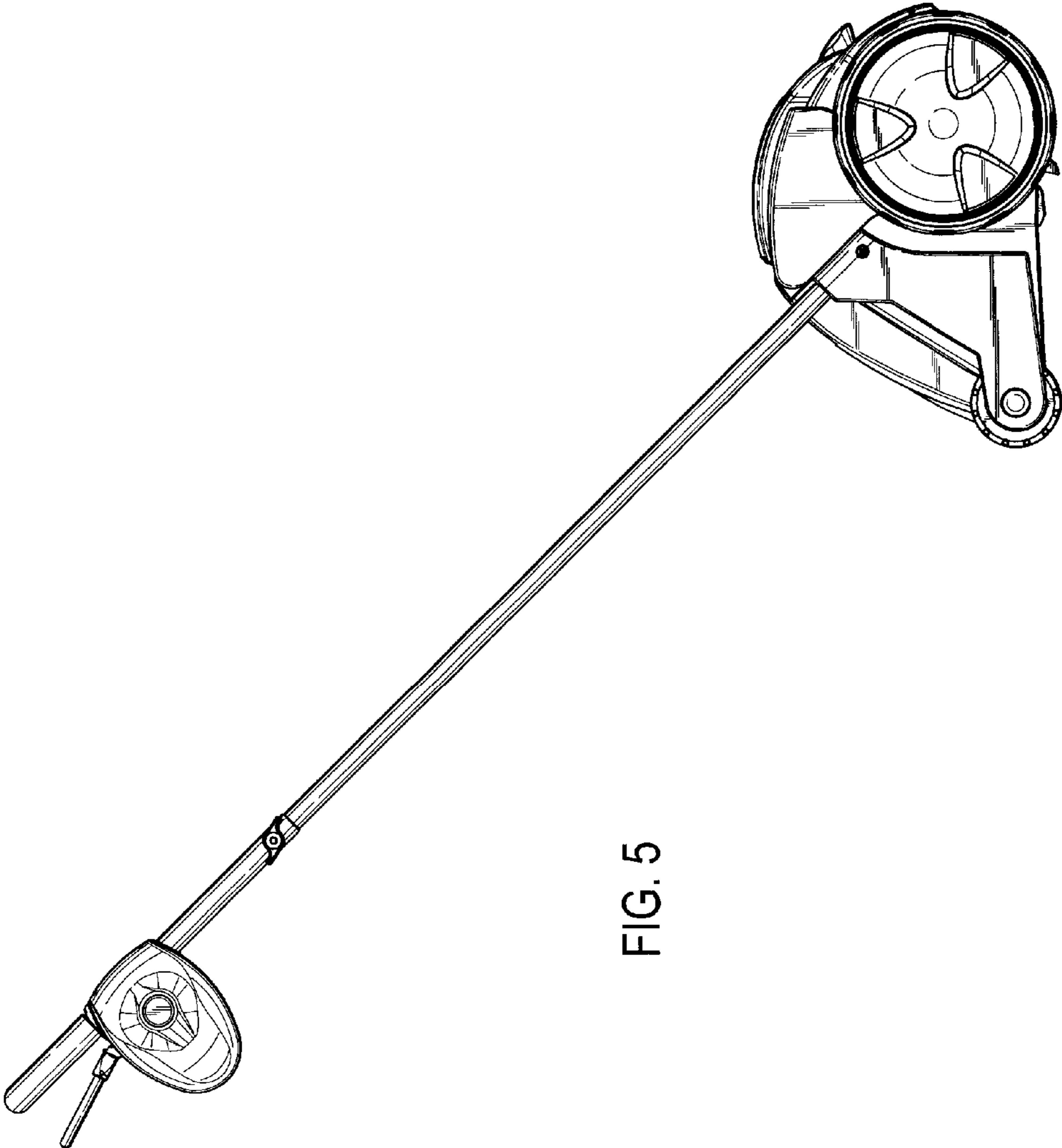


FIG. 5

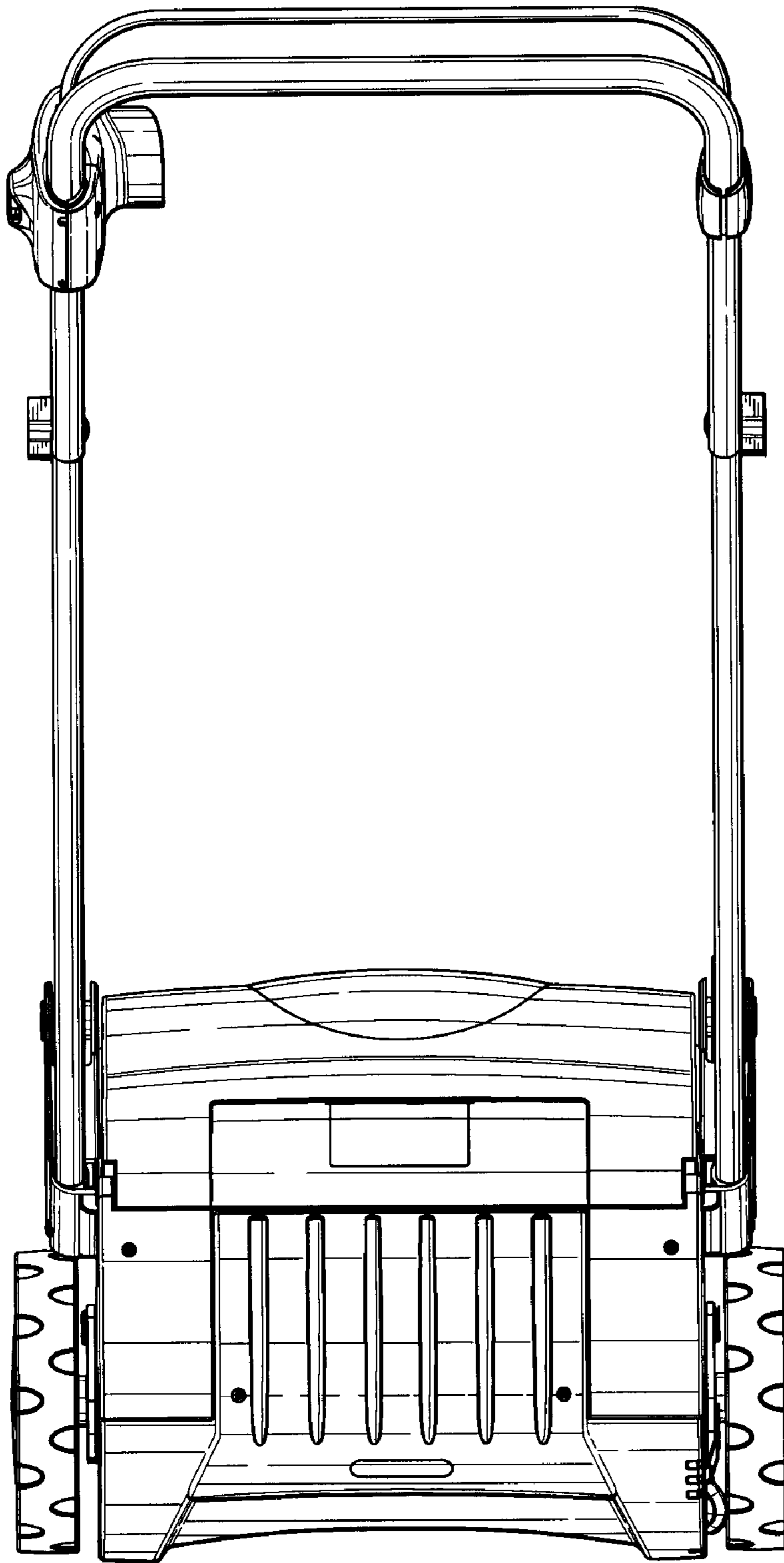


FIG. 6

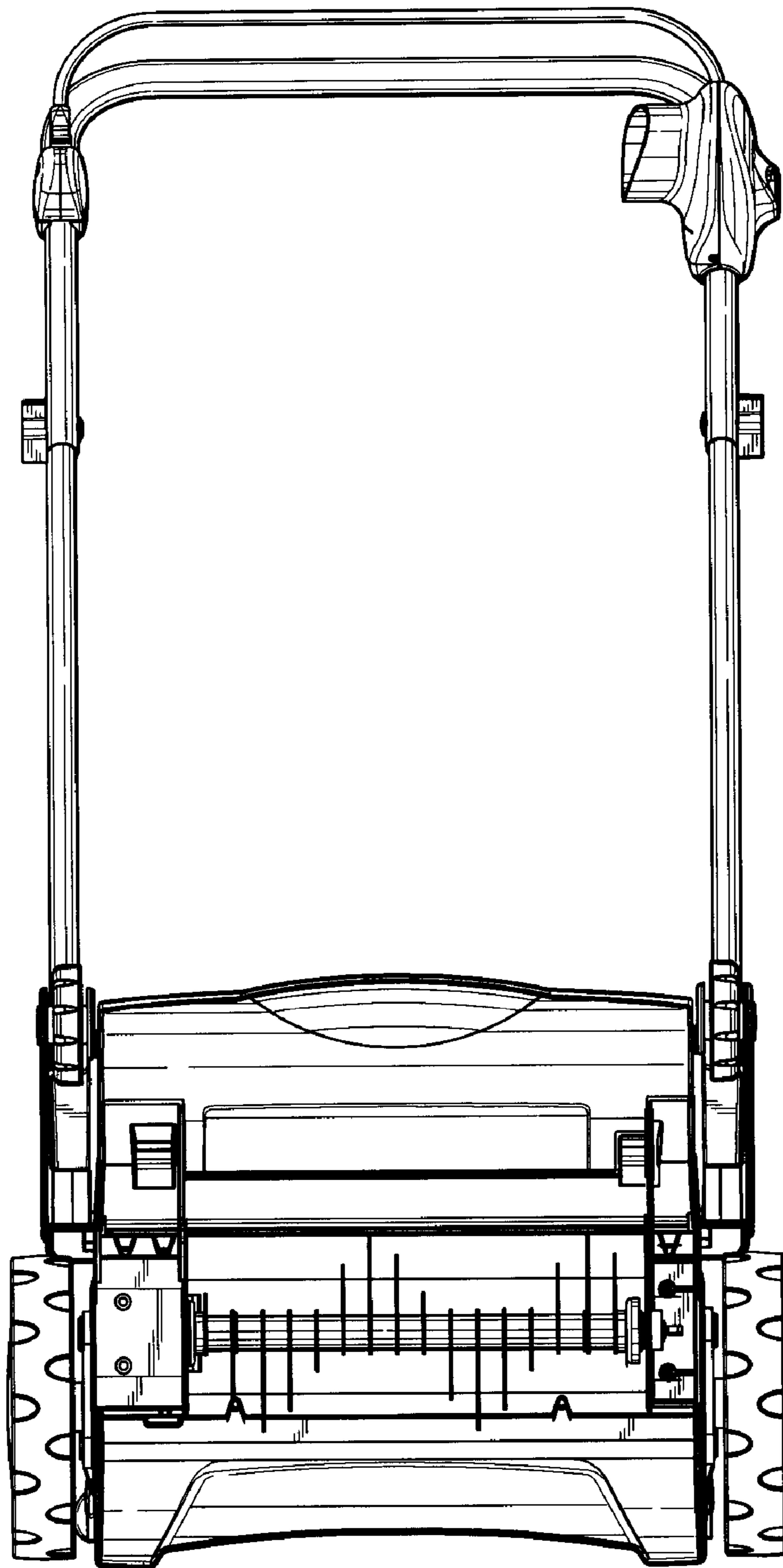


FIG. 7

UNITED STATES PATENT AND TRADEMARK OFFICE
CERTIFICATE OF CORRECTION

PATENT NO. : Des. 529,931 S
APPLICATION NO. : 29/217326
DATED : October 10, 2006
INVENTOR(S) : Henssler et al.

Page 1 of 1

It is certified that error appears in the above-identified patent and that said Letters Patent is hereby corrected as shown below:

item 30 on Title page
In the Foreign Application Priority Data section:

please replace "August 11, 1994" with --August 11, 2004--

Signed and Sealed this

First Day of May, 2007

A handwritten signature in black ink on a light gray dotted background. The signature reads "Jon W. Dudas" in a cursive style.

JON W. DUDAS

Director of the United States Patent and Trademark Office

UNITED STATES PATENT AND TRADEMARK OFFICE
CERTIFICATE OF CORRECTION

PATENT NO. : Des. 529,931 S
APPLICATION NO. : 29/217326
DATED : October 10, 2006
INVENTOR(S) : Henssler et al.

Page 1 of 1

It is certified that error appears in the above-identified patent and that said Letters Patent is hereby corrected as shown below:

On Title Page Item (21) Filed:

please replace "November 15, 2004" with --November 16, 2004--

Signed and Sealed this

Twenty-ninth Day of April, 2008

A handwritten signature in black ink that reads "Jon W. Dudas". The signature is written in a cursive style with a large, looped initial "J".

JON W. DUDAS

Director of the United States Patent and Trademark Office