

US00D529927S

(12) **United States Design Patent**  
**Chu**

(10) **Patent No.:** **US D529,927 S**

(45) **Date of Patent:** **\*\* Oct. 10, 2006**

(54) **END CAP FOR AIR COMPRESSOR**

(76) **Inventor:** **Henry C. Chu**, 133N. Lemon St.,  
Orange, CA (US) 92866

(\*\*) **Term:** **14 Years**

(21) **Appl. No.:** **29/235,428**

(22) **Filed:** **Aug. 2, 2005**

(51) **LOC (8) Cl.** ..... **15-02**

(52) **U.S. Cl.** ..... **D15/9**

(58) **Field of Classification Search** ..... D15/7-9;  
D23/232, 231; 417/359, 415-416, 410.1,  
417/321, 265, 405

See application file for complete search history.

(56) **References Cited**

**U.S. PATENT DOCUMENTS**

D294,582 S	*	3/1988	Showman	.....	D15/7
D436,968 S	*	1/2001	Cook	.....	D15/7
D462,700 S	*	9/2002	Fujita	.....	D15/9
D463,453 S	*	9/2002	Fujita	.....	D15/9
D464,977 S	*	10/2002	Futerrer	.....	D15/9.1
D467,943 S	*	12/2002	Tagami	.....	D15/9

D489,732 S	*	5/2004	Kishimoto	.....	D15/7
D490,819 S	*	6/2004	Wahlberg	.....	D15/7
D500,325 S	*	12/2004	Reynolds et al.	.....	D15/7
D507,280 S	*	7/2005	Chu et al.	.....	D15/9
D516,088 S	*	2/2006	Kortyna et al.	.....	D15/7

\* cited by examiner

*Primary Examiner*—Ralf Seifert

(74) *Attorney, Agent, or Firm*—Charles E. Baxley

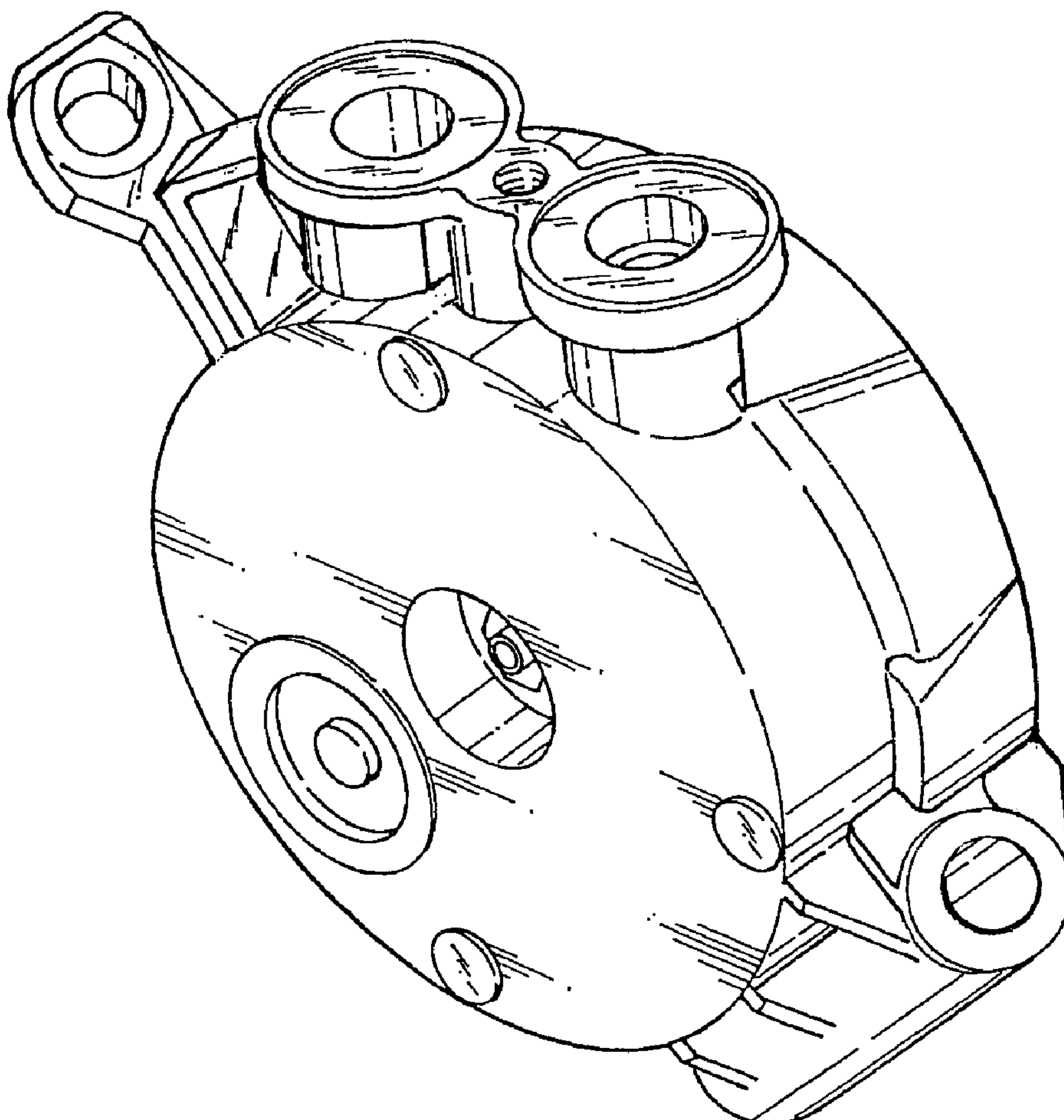
(57) **CLAIM**

The ornamental design for an end cap for air compressor, as shown and described.

**DESCRIPTION**

FIG. 1 is a front perspective view of an end cap for air compressor showing my new design; FIG. 2 is a front elevational view thereof; FIG. 3 is a rear elevational view thereof; FIG. 4 is a top plan view thereof; FIG. 5 is a bottom plan view thereof; FIG. 6 is a left side elevational view thereof; FIG. 7 is a right side elevational view thereof; and, FIG. 8 is a rear perspective view thereof.

**1 Claim, 3 Drawing Sheets**



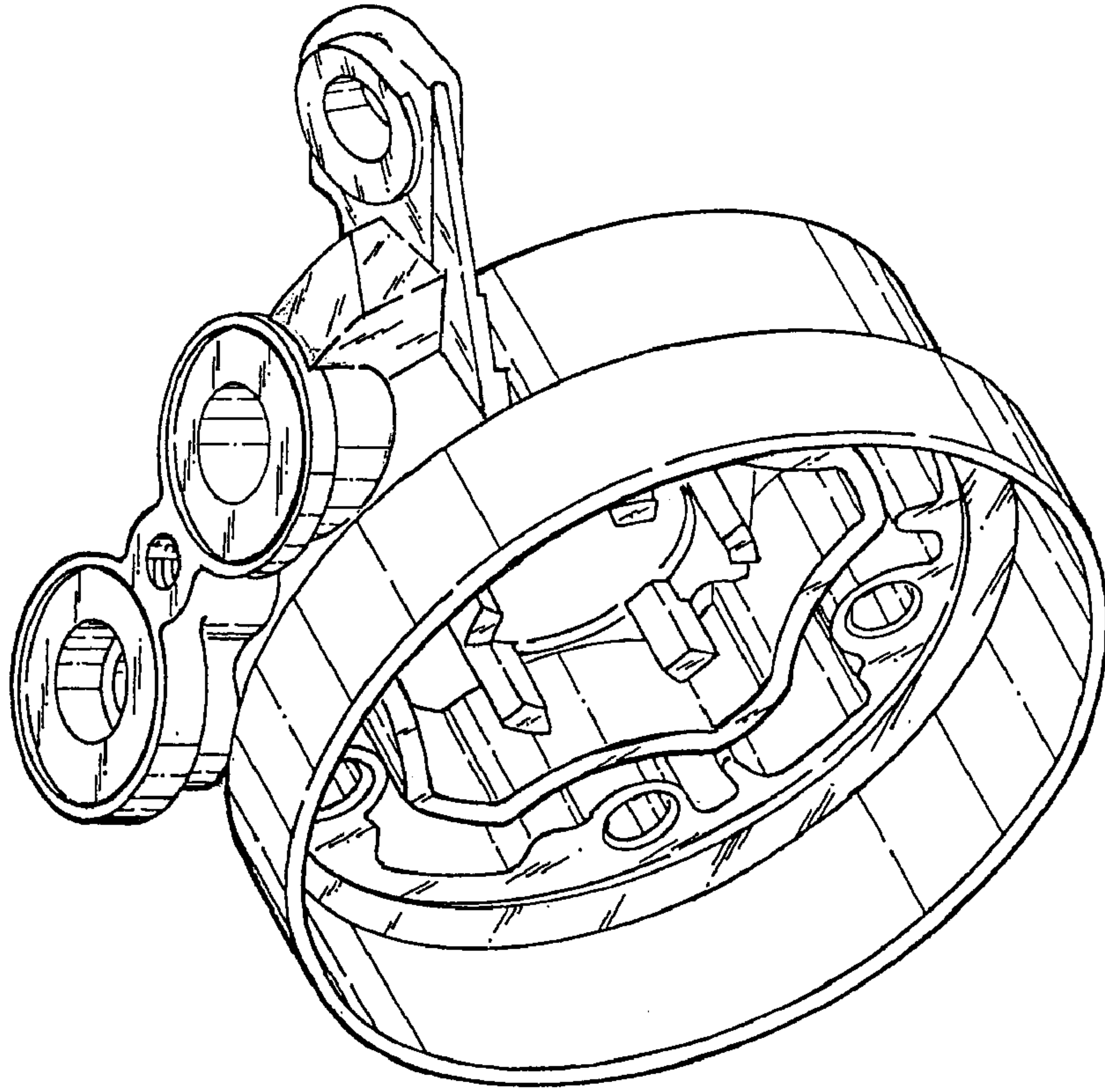


FIG. 8

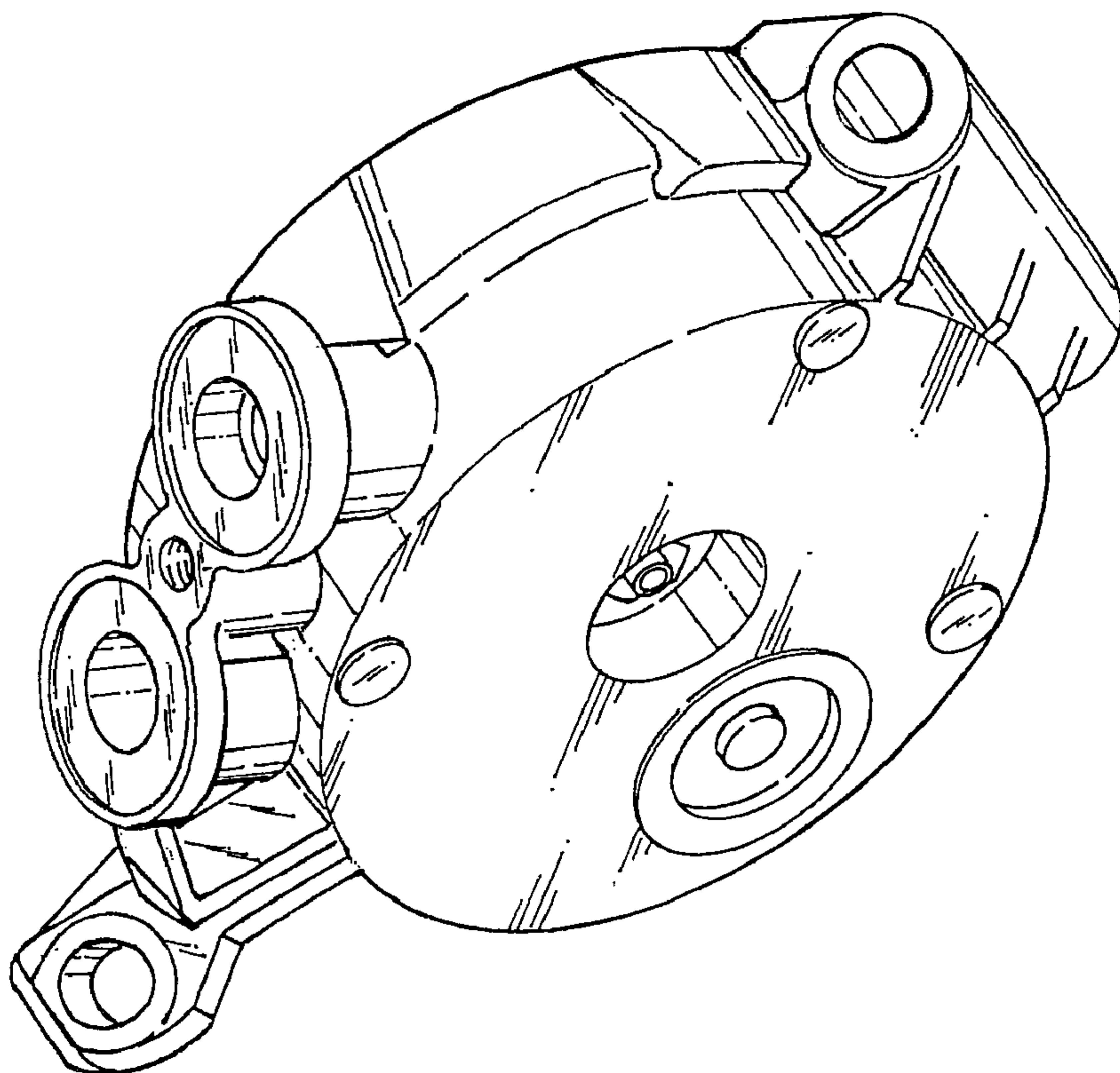


FIG. 1

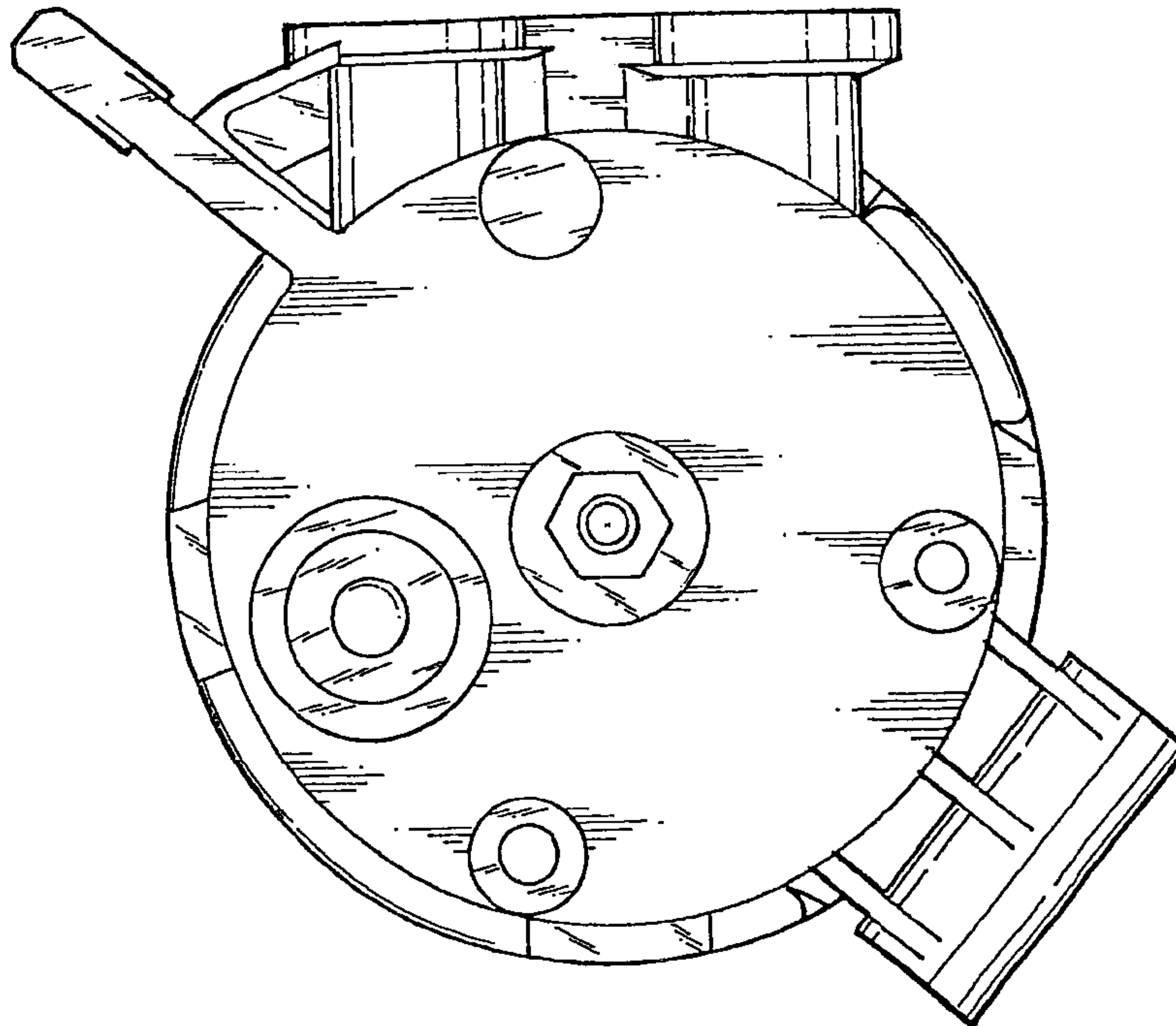


FIG. 2

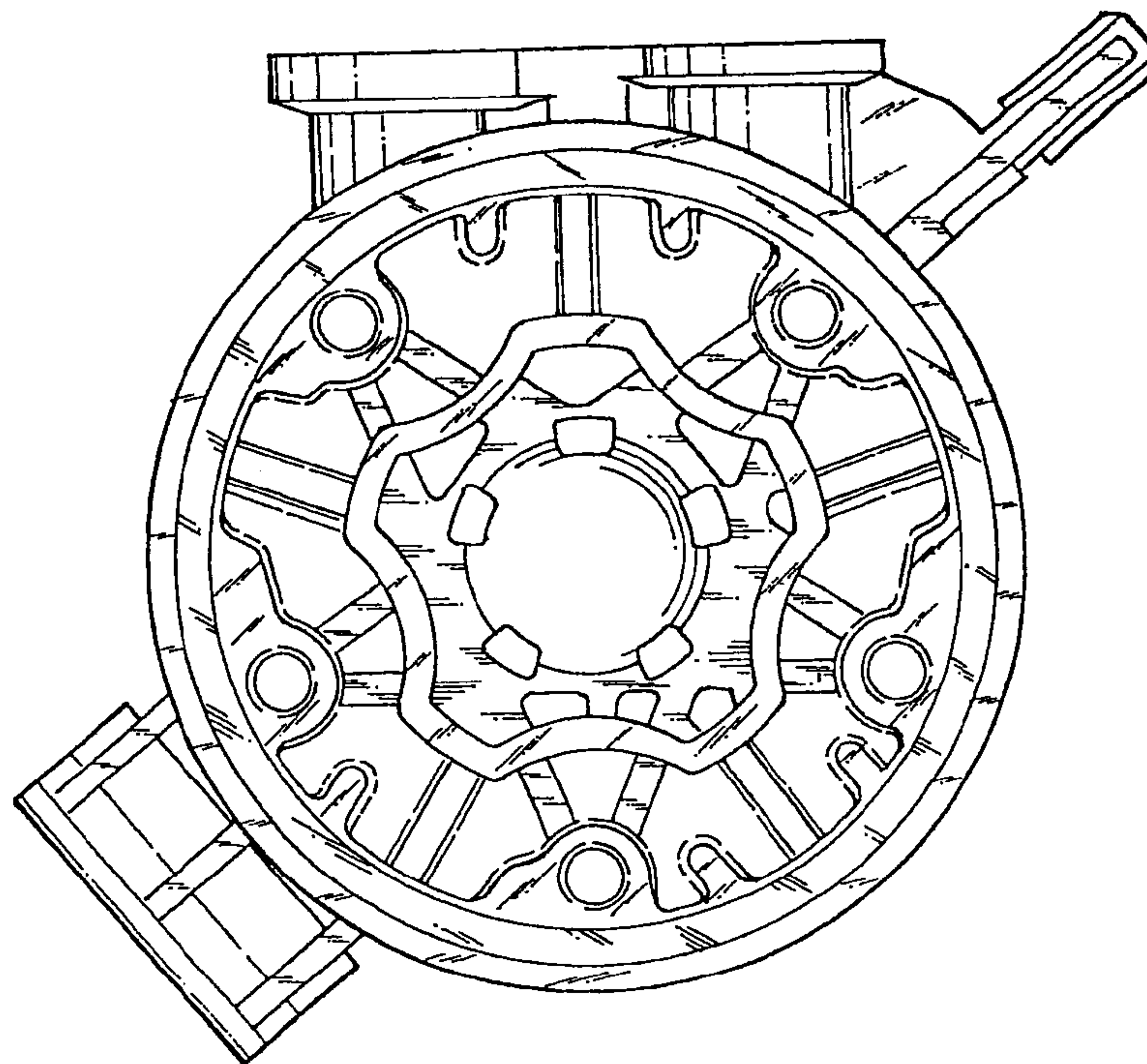


FIG. 3



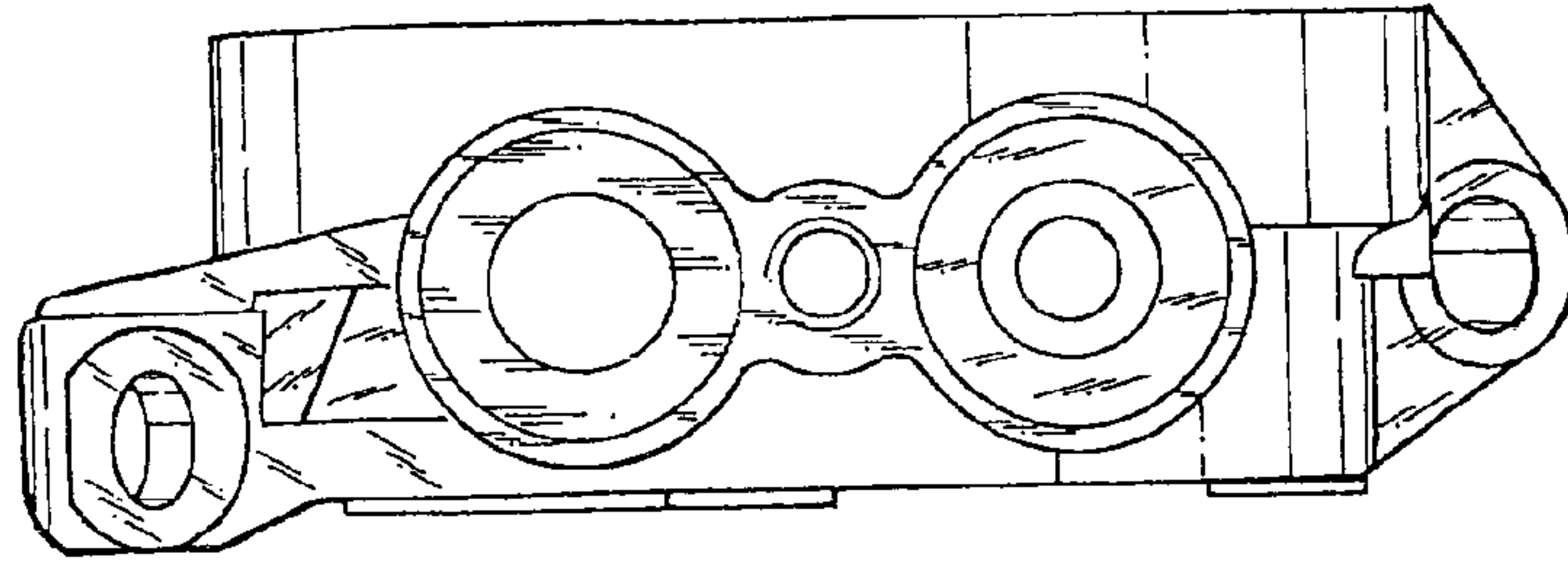


FIG. 4

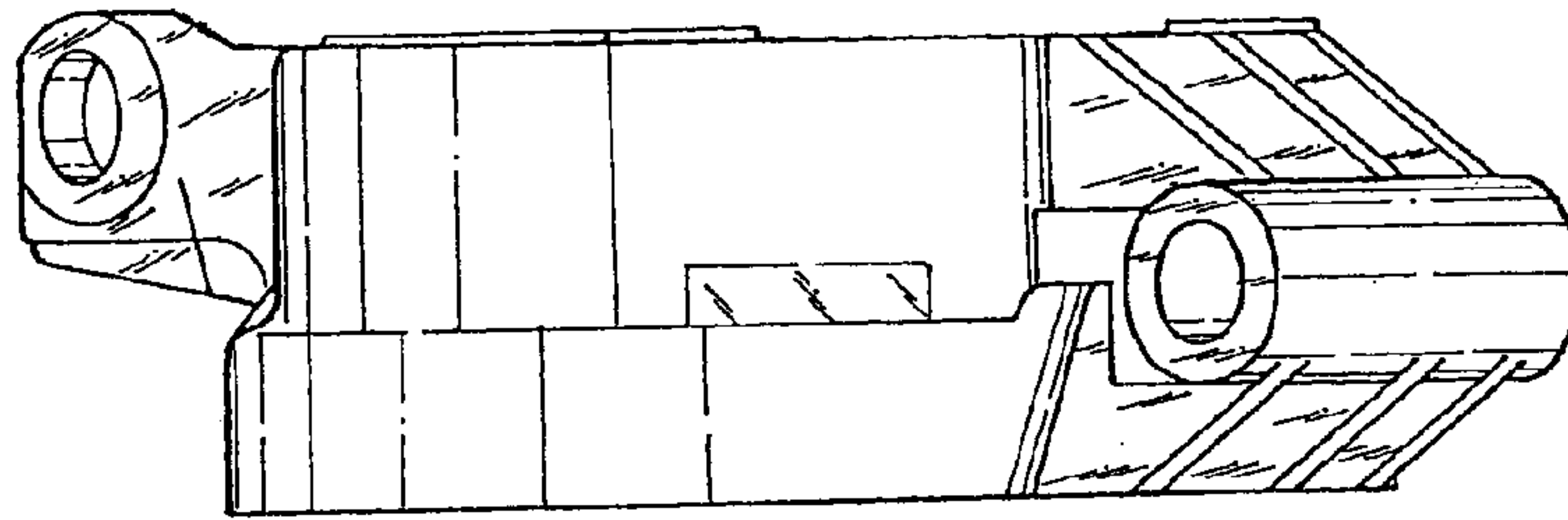


FIG. 5

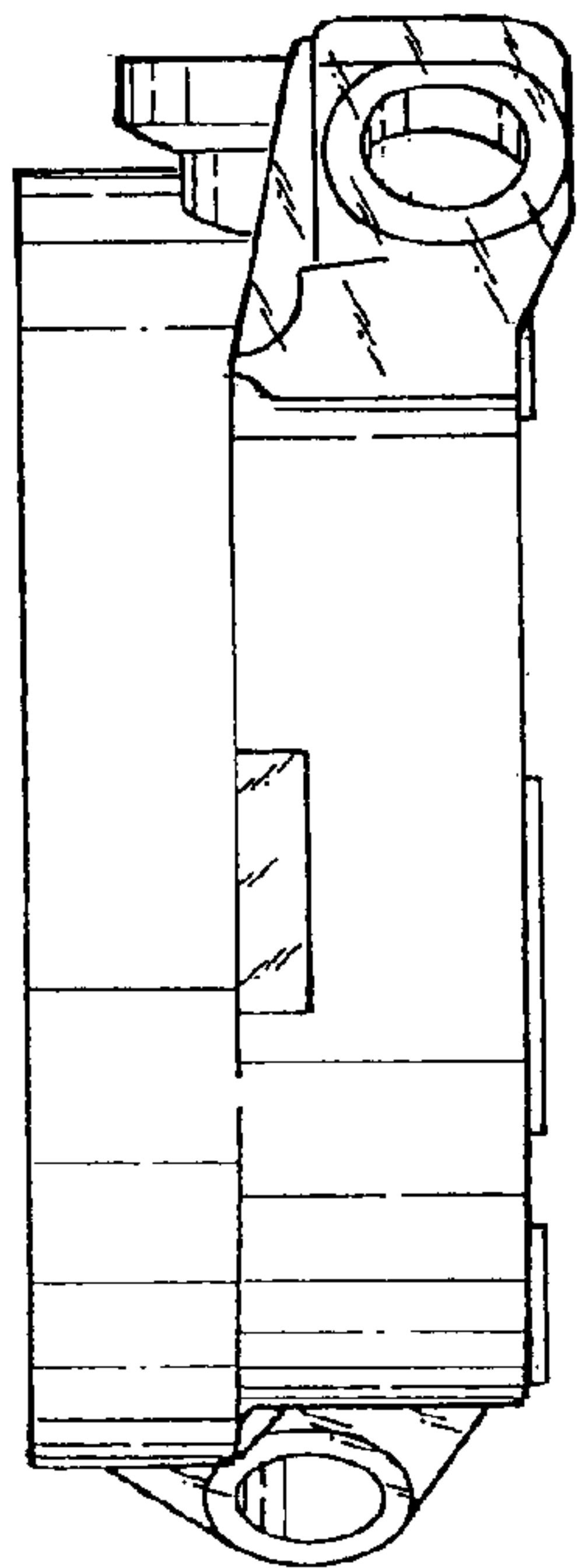


FIG. 6

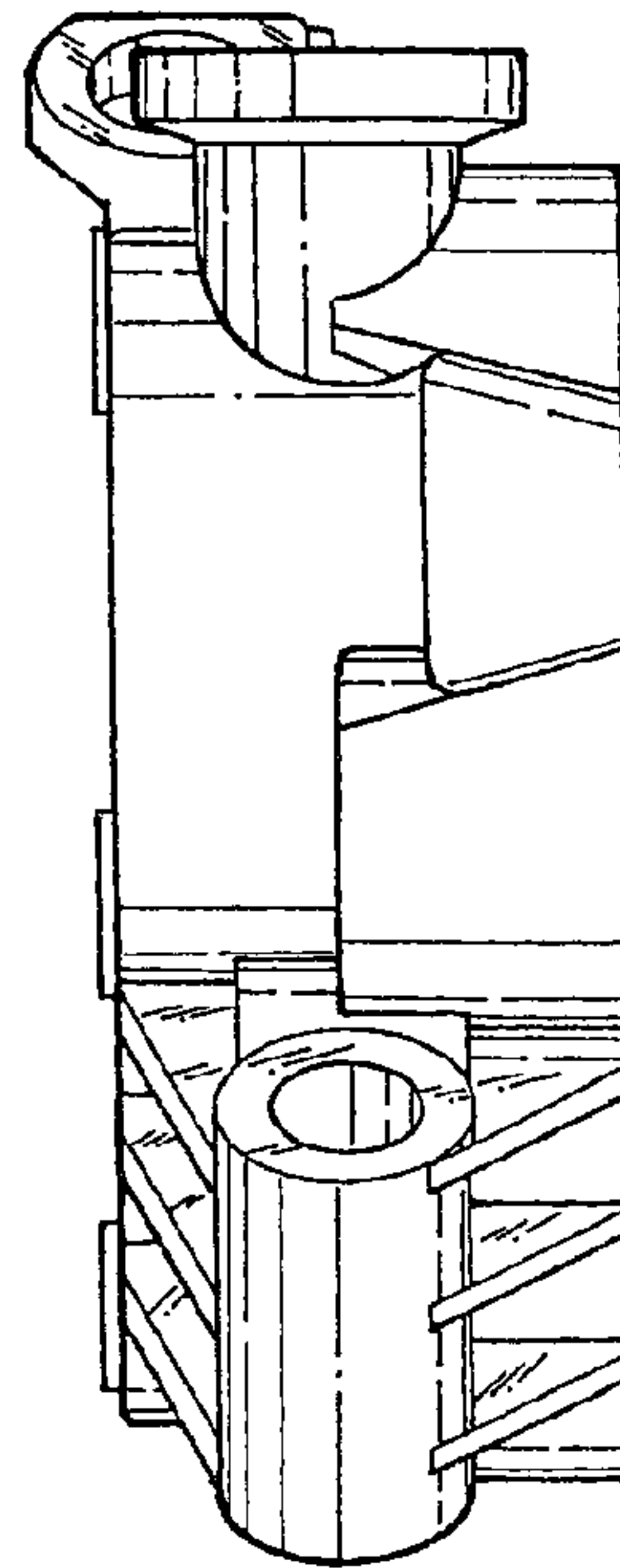


FIG. 7