



US00D529926S

(12) **United States Design Patent**
Krieger et al.

(10) **Patent No.:** **US D529,926 S**

(45) **Date of Patent:** **** Oct. 10, 2006**

(54) **COMBINED AIR COMPRESSOR, INFLATOR,
AND SPOTLIGHT**

D409,206 S * 5/1999 Wang D15/9
D428,020 S * 7/2000 Bonzer D15/7
D512,727 S * 12/2005 Hussaini et al. D15/9

(75) Inventors: **Michael Krieger**, Miami Beach, FL
(US); **Kevin Ellsworth**, Hollywood, FL
(US)

* cited by examiner

Primary Examiner—Ralf Seifert

(73) Assignee: **Vector Products, Inc.**, Ft. Lauderdale,
FL (US)

(74) *Attorney, Agent, or Firm*—Venable LLP; Robert
Kinberg; Manni Li

(**) Term: **14 Years**

(57) **CLAIM**

(21) Appl. No.: **29/228,575**

The ornamental design for an combined air compressor,
inflator, and spotlight, as shown and described.

(22) Filed: **Apr. 26, 2005**

DESCRIPTION

(51) **LOC (8) Cl.** **15-02**

FIG. 1 is a perspective view from the front-top-left side of
the combined air compressor, inflator, and spotlight showing
our new design;

(52) **U.S. Cl.** **D15/9; D26/46**

FIG. 2 is a front view of the design shown in FIG. 1;

(58) **Field of Classification Search** D15/7-9;

FIG. 3 is a rear view of the design shown in FIG. 1;

D23/232, 231; 417/359, 415-416, 410.1,

FIG. 4 is a left side view of the design shown in FIG. 1;

417/321, 265, 405; D26/37-50

FIG. 5 is a right side view of the design shown in FIG. 1;

See application file for complete search history.

FIG. 6 is a top view of the design shown in FIG. 1; and,

(56) **References Cited**

FIG. 7 is a bottom view of the design shown in FIG. 1.

U.S. PATENT DOCUMENTS

The broken lines immediately adjacent the shaded areas
represent the bounds of the claimed design while all other
broken lines are for illustrative purposes only; the broken
lines form no part of the claimed design.

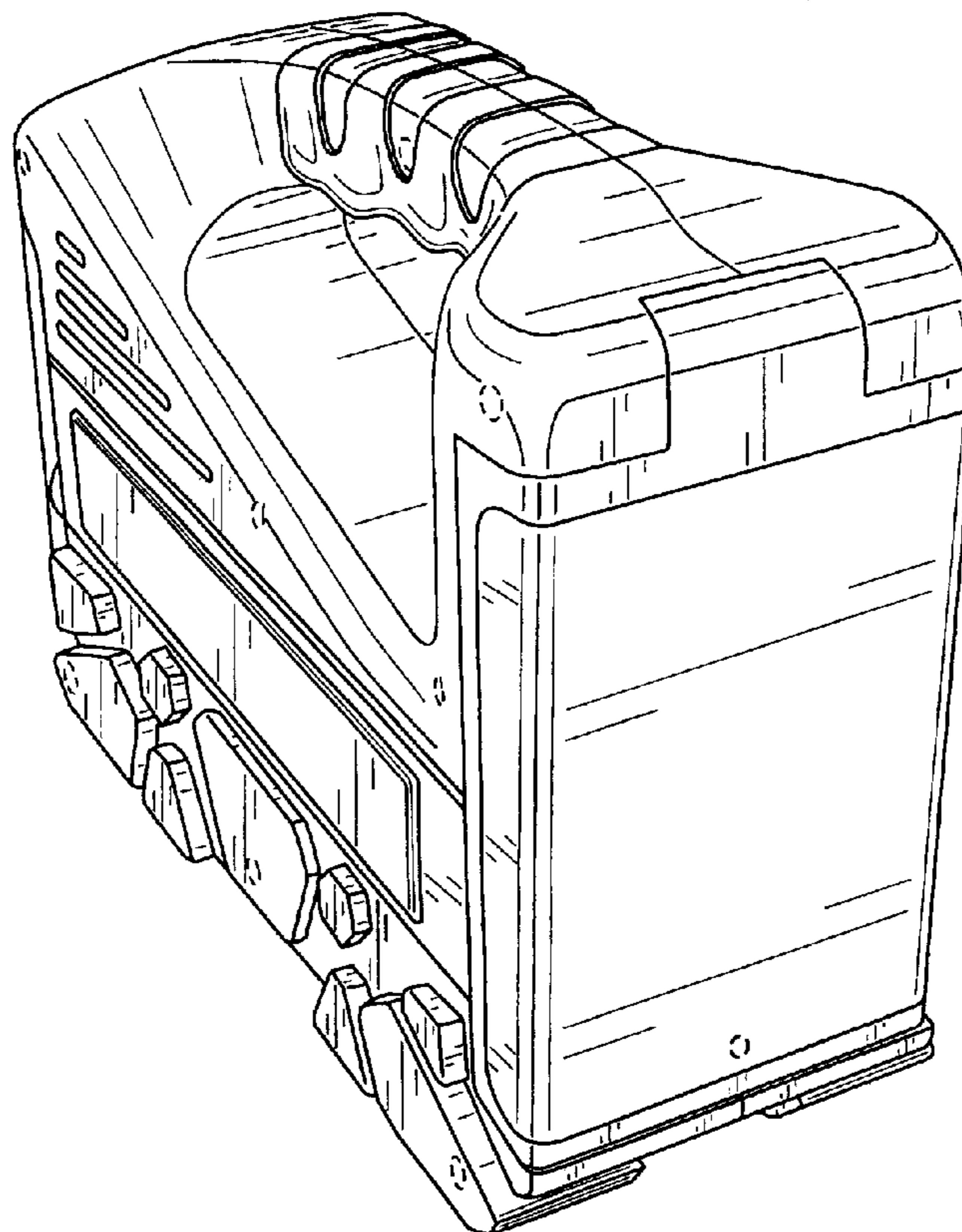
D340,458 S * 10/1993 Wang D15/7

D376,199 S * 12/1996 Rozek et al. D24/110

D407,412 S * 3/1999 Wang D15/9

D407,413 S * 3/1999 Wang D15/9

1 Claim, 7 Drawing Sheets



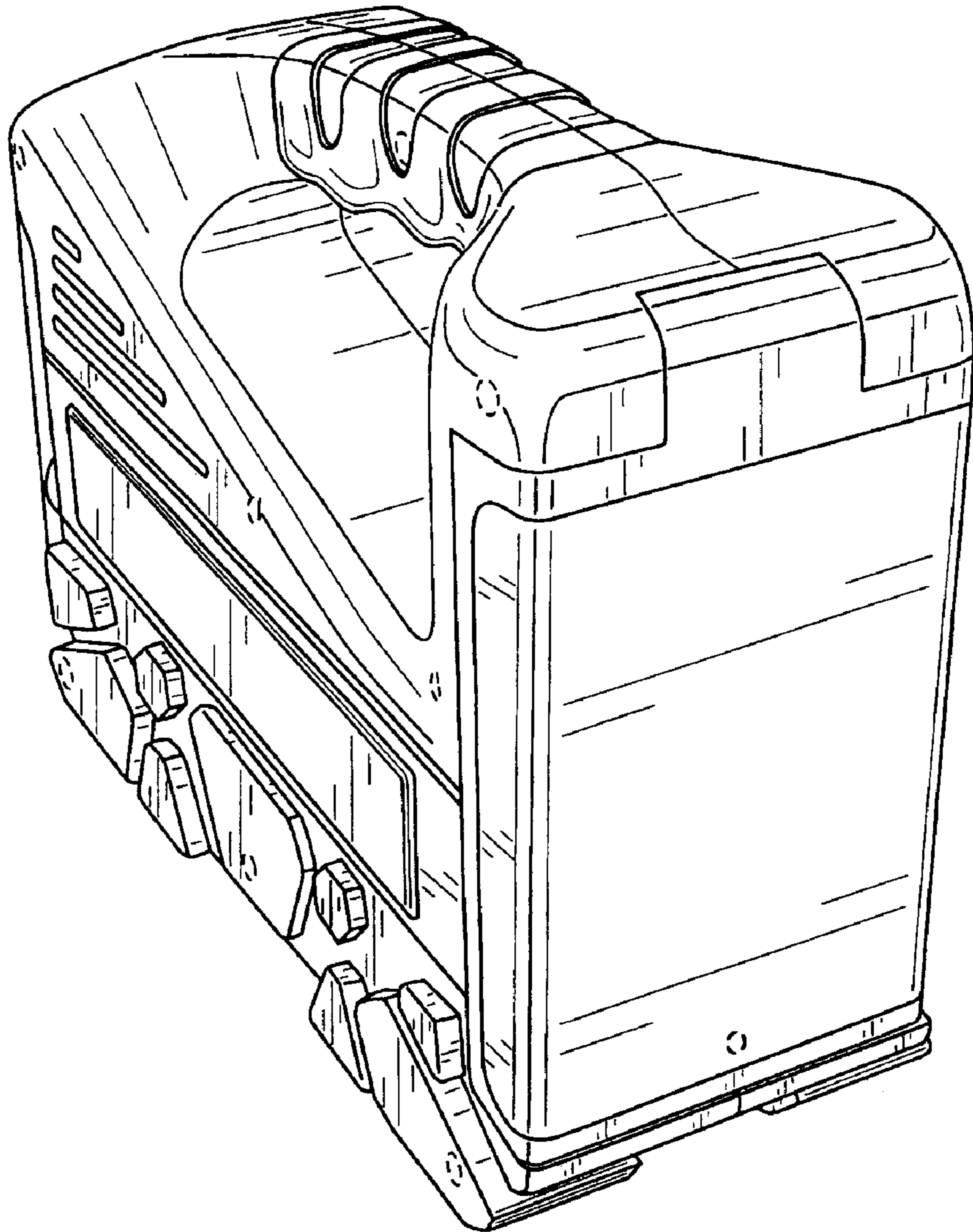


FIG. 1

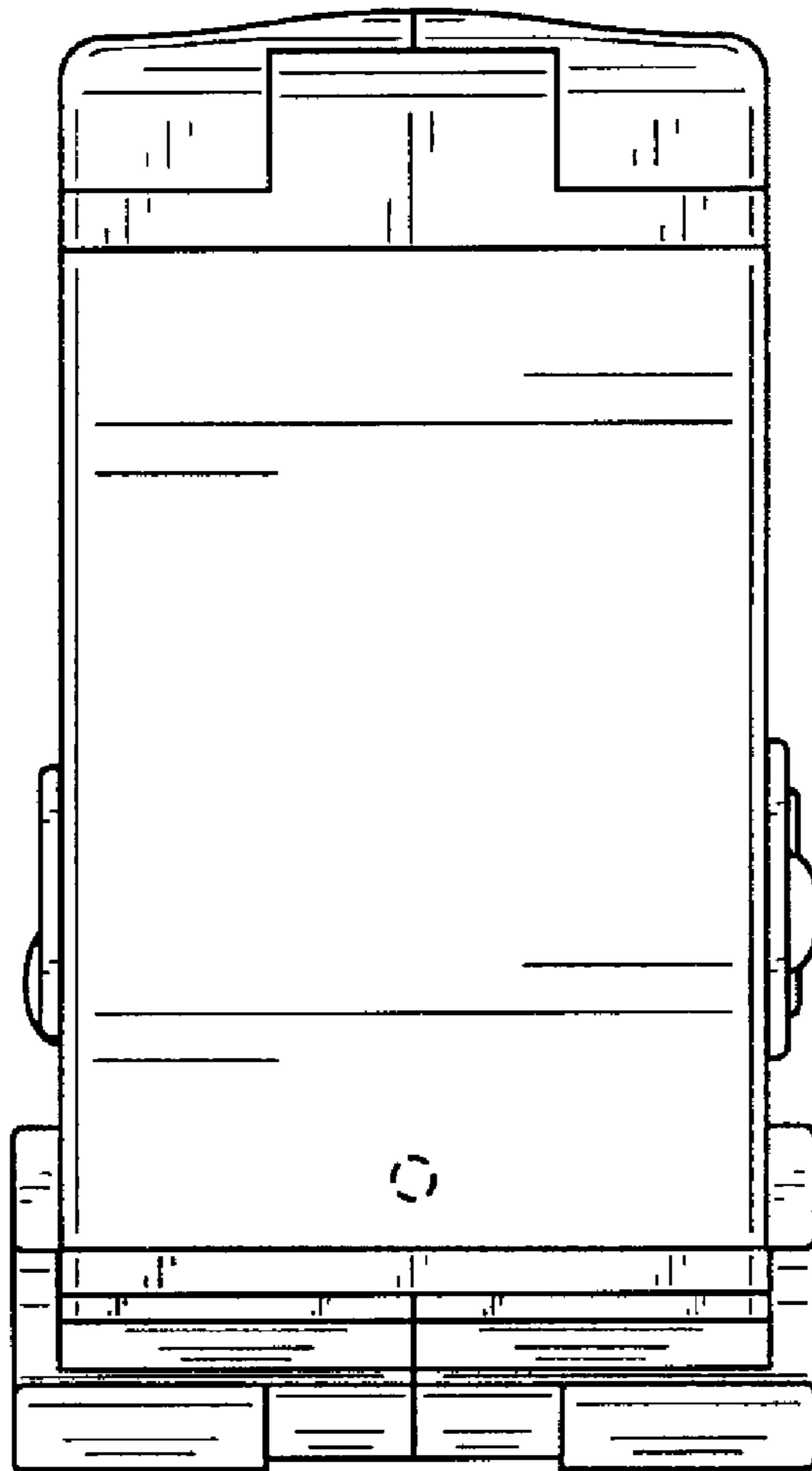


FIG. 2

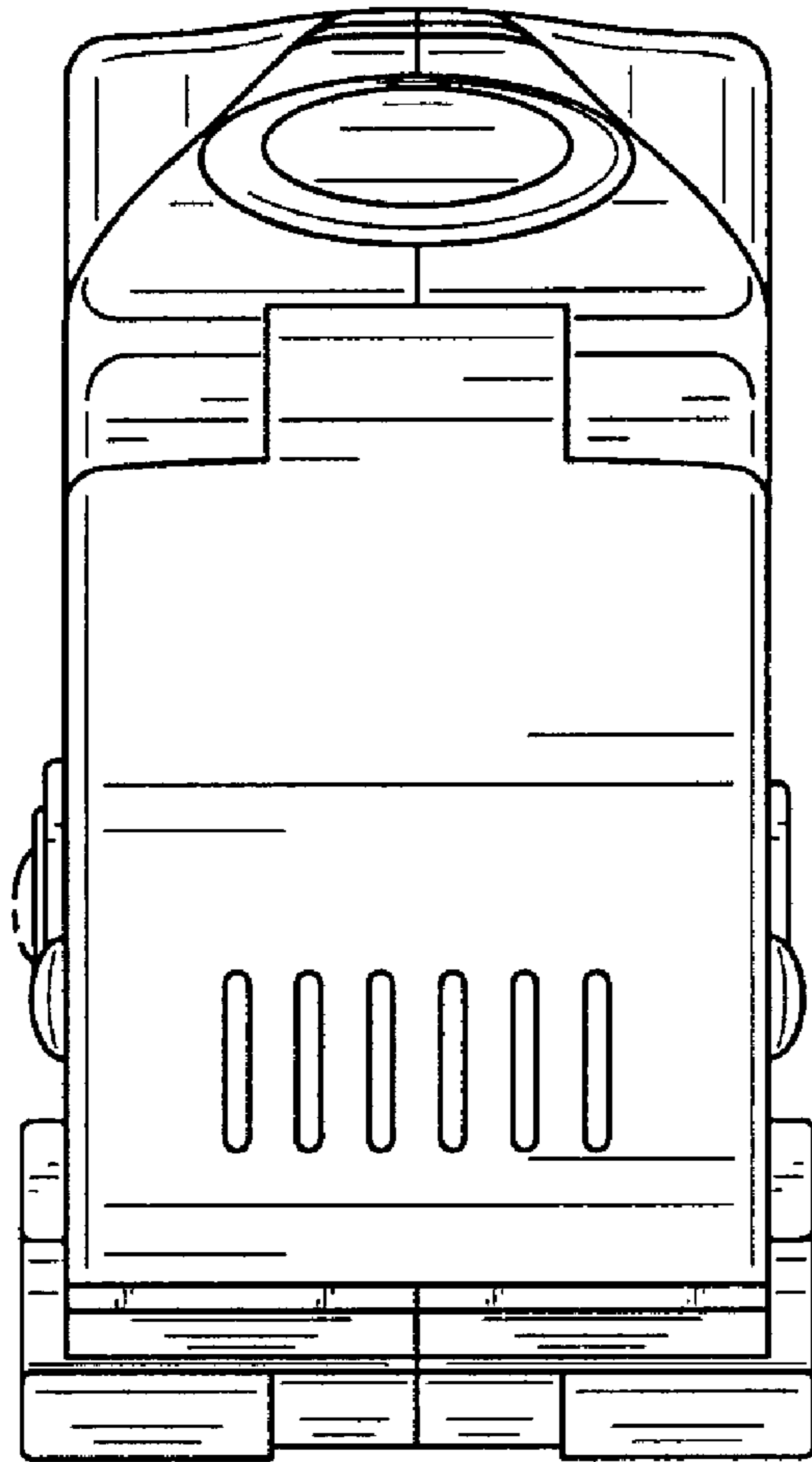


FIG. 3

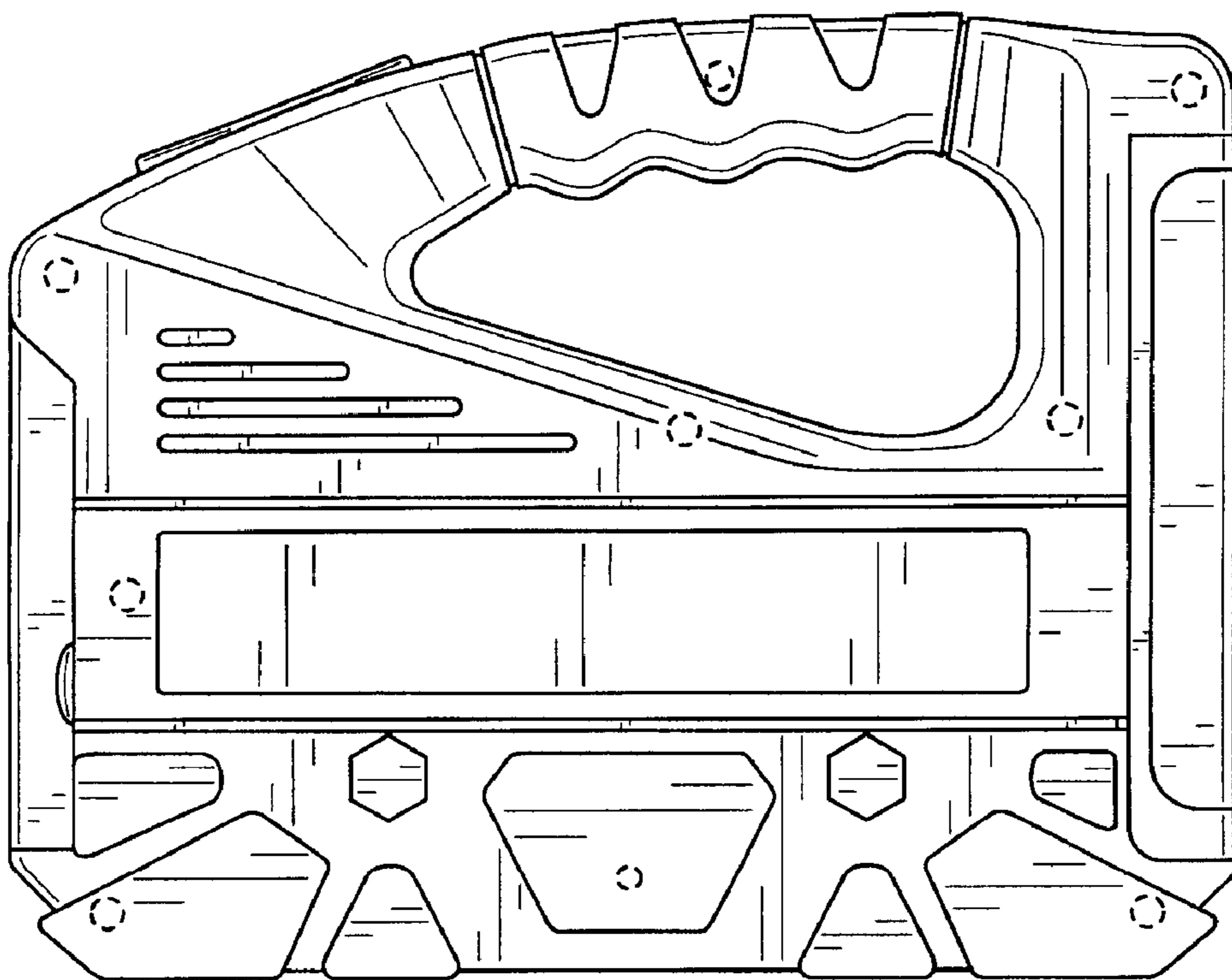


FIG. 4

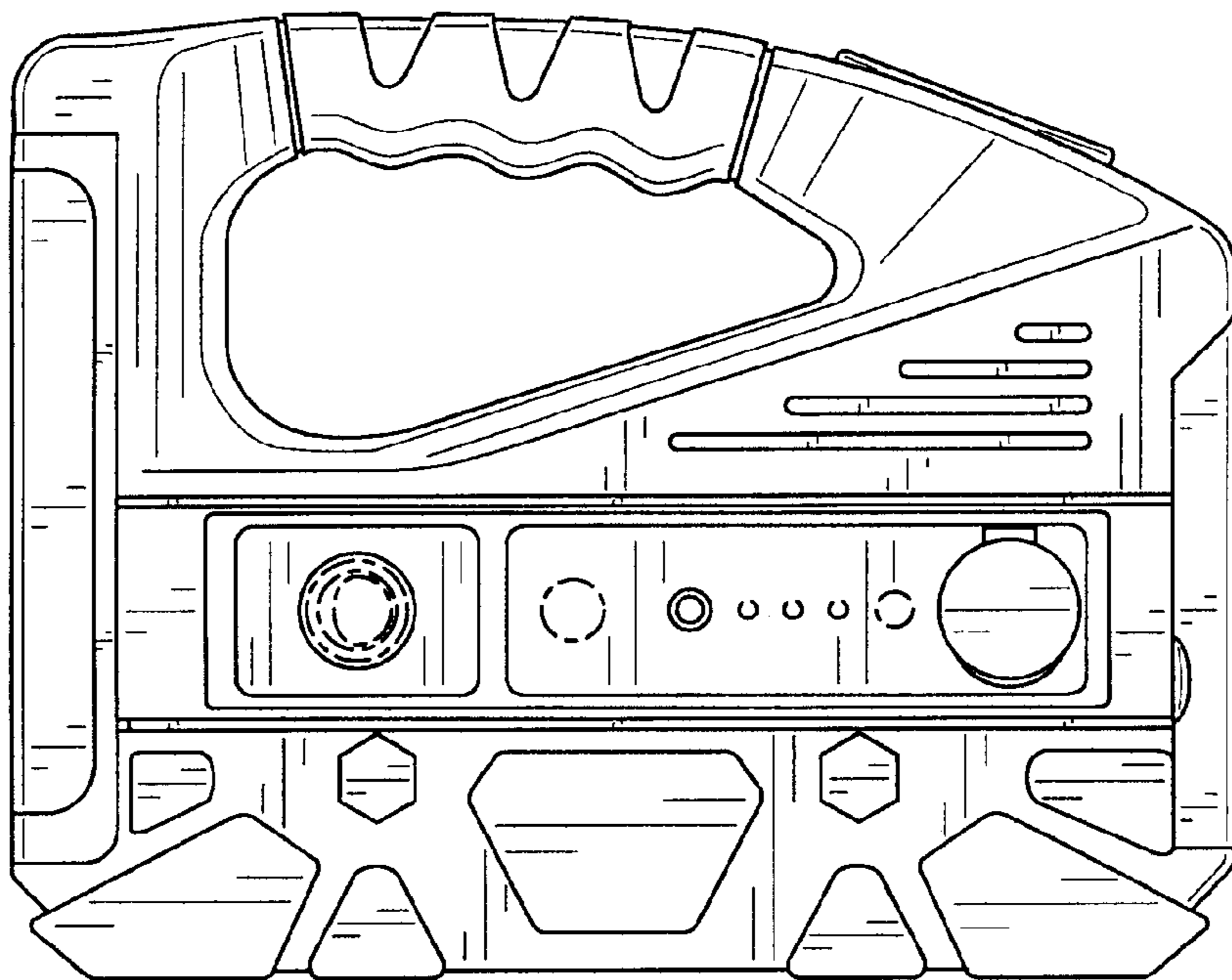


FIG. 5

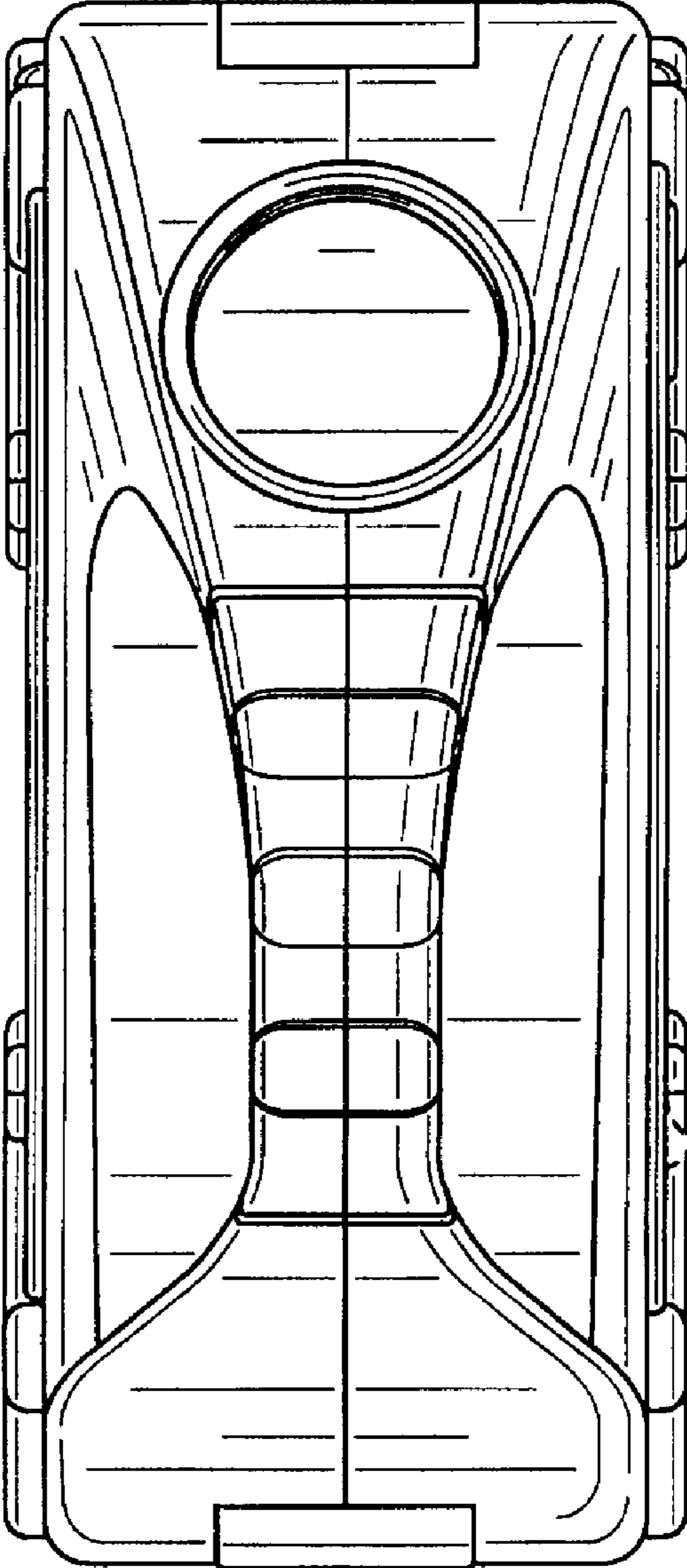


FIG. 6

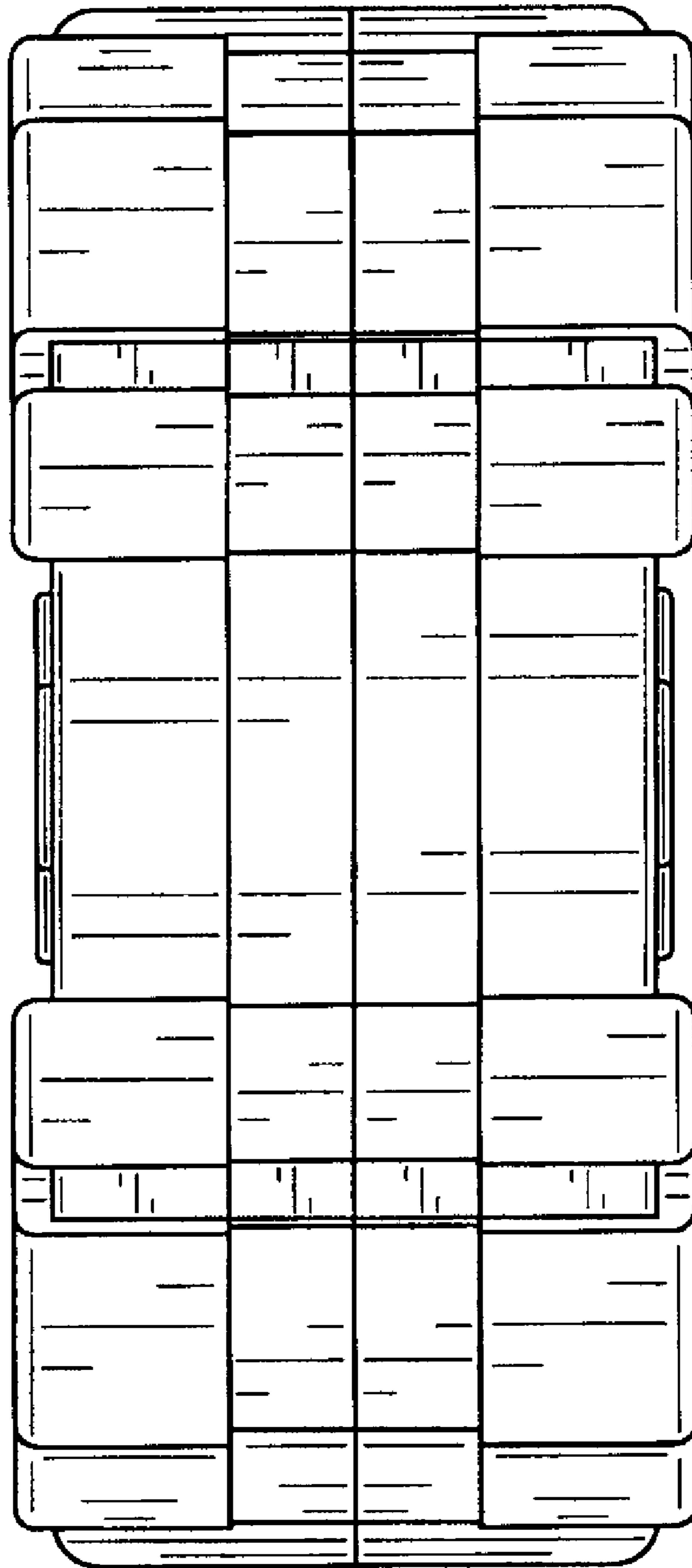


FIG. 7