



US00D529925S

(12) **United States Design Patent** (10) **Patent No.:** **US D529,925 S**
Strandell et al. (45) **Date of Patent:** **** Oct. 10, 2006**

(54) **PORTION OF AN AIR CLEANER COVER**

(75) Inventors: **Timothy B. Strandell**, Racine, WI (US); **Daniel J. DeLay**, Waterford, WI (US); **Mark Brenneman**, Burlington, WI (US)

(73) Assignee: **Briggs & Stratton Corporation**, Wauwatosa, WI (US)

(**) Term: **14 Years**

(21) Appl. No.: **29/226,017**

(22) Filed: **Mar. 23, 2005**

(51) **LOC (8) Cl.** **15-01**

(52) **U.S. Cl.** **D15/5**

(58) **Field of Classification Search** D15/1-5; D23/364-365, 355; 123/41.7, 198 E, 195 C, 123/572, 573; 55/385.3, 510, 320, 337, 498, 55/521, 359, 459.1

See application file for complete search history.

(56) **References Cited**

U.S. PATENT DOCUMENTS

5,368,621 A * 11/1994 Pool 55/323
D412,568 S * 8/1999 Ward et al. D23/364

(Continued)

OTHER PUBLICATIONS

Briggs & Stratton, 04 Engine Guide; brochure; 2003; 58 pages; Briggs & Stratton, Wauwatosa, Wisconsin, USA.

KAWASAKI, Four-Cycle Engines, Kawasaki FJ180V, website, http://www.kawpowr.com/4cycle/fj180v_specs.html, 1 page, Feb. 2, 2005.

KAWASAKI, Four-Cycle Engines, Kawasaki FC290v, website, http://www.kawpowr.com/4cycle/fc290v_specs.html, 1 page, Feb. 2, 2005.

KAWASAKI, Four-Cycle Engines, Kawasaki FH721D, website, http://www.kawpowr.com/4cycle/fh721d_specs.html, 1 page, Feb. 2, 2005.

KAWASAKI, Four-Cycle Engines, Kawasaki FH601D, website, http://www.kawpowr.com/4cycle/fh601d_specs.html, 1 page, Feb. 2, 2005.

KAWASAKI, Four-Cycle Engines Kawasaki FH601V, website, http://www.kawpowr.com/4cycle/fh601v_specs.html, 1 page, Feb. 2, 2005.

KAWASAKI, Four-Cycle Engines, Kawasaki FH500V, website, http://www.kawpowr.com/4cycle/fh500v_specs.html, 1 page, Feb. 2, 2005.

KAWASAKI, Four-Cycle Engines, Kawasaki FC150V, website, http://www.kawpowr.com/4cycle/fc150v_specs.html, 1 page, Feb. 2, 2005.

KAWASAKI, Four-Cycle Engines, Kawasaki FH721V, website, http://www.kawpowr.com/4cycle/fh721v_specs.html, 1 page, Feb. 2, 2005.

Tecumseh Power Company; Walk-Behind Engines & Transmissions Horsepower Range: 3.5-7.0, website <http://www.tecumsehpower.com/Products/WalkBehind/index.php>, 1 page, Feb. 2, 2005.

Kohler Co. Engine Division; Kohler Engines Born to Run Owner's Manual, Command 11-16 HP Vertical Crankshaft; Cover Sheet, Revised Sep. 1999, Kohler Co. Engine Division, Kohler, Wisconsin, USA.

(Continued)

Primary Examiner—Ian Simmons

Assistant Examiner—Maurice Stevens

(74) *Attorney, Agent, or Firm*—Michael Best & Friedrich LLP

(57) **CLAIM**

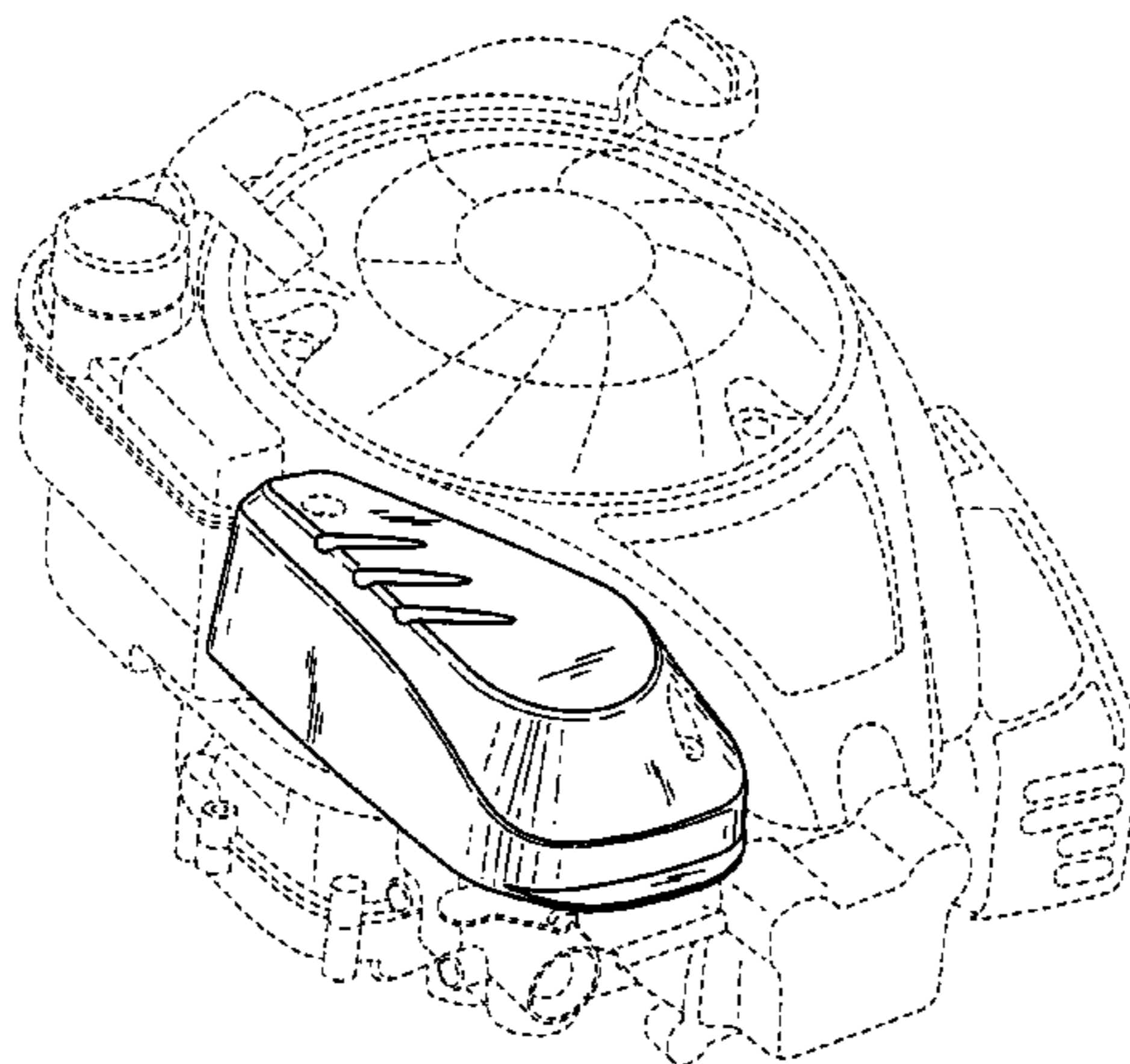
The ornamental design for a portion of an air cleaner cover, as shown and described.

DESCRIPTION

FIG. 1 is a perspective view of an engine including an air cleaner cover embodying the present invention; and, FIG. 2 is an enlarged perspective view of the air cleaner cover of FIG. 1.

The broken line showing of the environment is for illustrative purposes only and forms no part of the claimed design.

1 Claim, 2 Drawing Sheets



U.S. PATENT DOCUMENTS

6,857,399 B1 * 2/2005 Davis et al. 123/41.7
2004/0025810 A1 * 2/2004 Davis et al. 123/41.7
2004/0025827 A1 * 2/2004 Davis 123/198 E
Kohler Co. Engine Division; Kohler Engines Born to Run
Owner's Manual, Command 18–26 HP Horizontal Crank-
shaft; Cover Sheet, Revised May 1999, Kohler Co. Engine
Division, Kohler, Wisconsin, USA.
Kohler Co. Engine Division; Kohler Engines Born to Run
Owner's Manual, Command 11–15 HP Horizontal Crank-
shaft; Cover Sheet, Revised Apr. 1999, Kohler Co. Engine
Division, Kohler, Wisconsin, USA.
Kohler Co. Engine Division; Kohler Engines Born to Run
Owner's Manual, Magnum 8,12,16 HP Horizontal Crank-
shaft; Cover Sheet, Revised Dec. 2001, Kohler Co. Engine
Division, Kohler, Wisconsin, USA.

Kohler Co. Engine Division; Kohler Engines Service
Manual, Courage Series SV470–600 Vertical Crankshaft;
website [http://www.kohlerengines.com/onlinecatalog/de-
tail.jsp?prod_num=Hydro+13](http://www.kohlerengines.com/onlinecatalog/detail.jsp?prod_num=Hydro+13), Cover Sheet, Feb. 2, 2005,
Kohler Co. Engine Division, Kohler, Wisconsin, USA.

Kohler Co. Engine Division; Kohler Engines Kohler Triad
OHC; website [http://www.kohlerengines.com/onlinecata-
log/enginefamily.jsp?engine_family_name=Triad+OHC](http://www.kohlerengines.com/onlinecatalog/enginefamily.jsp?engine_family_name=Triad+OHC),
Cover Sheet Feb. 2, 2005, Kohler Co. Engine Division,
Kohler, Wisconsin, USA.

Honda Engines, Honda GC Series Engines, brochure, 2003,
10 pages, American Honda Motor Co, Inc.

* cited by examiner

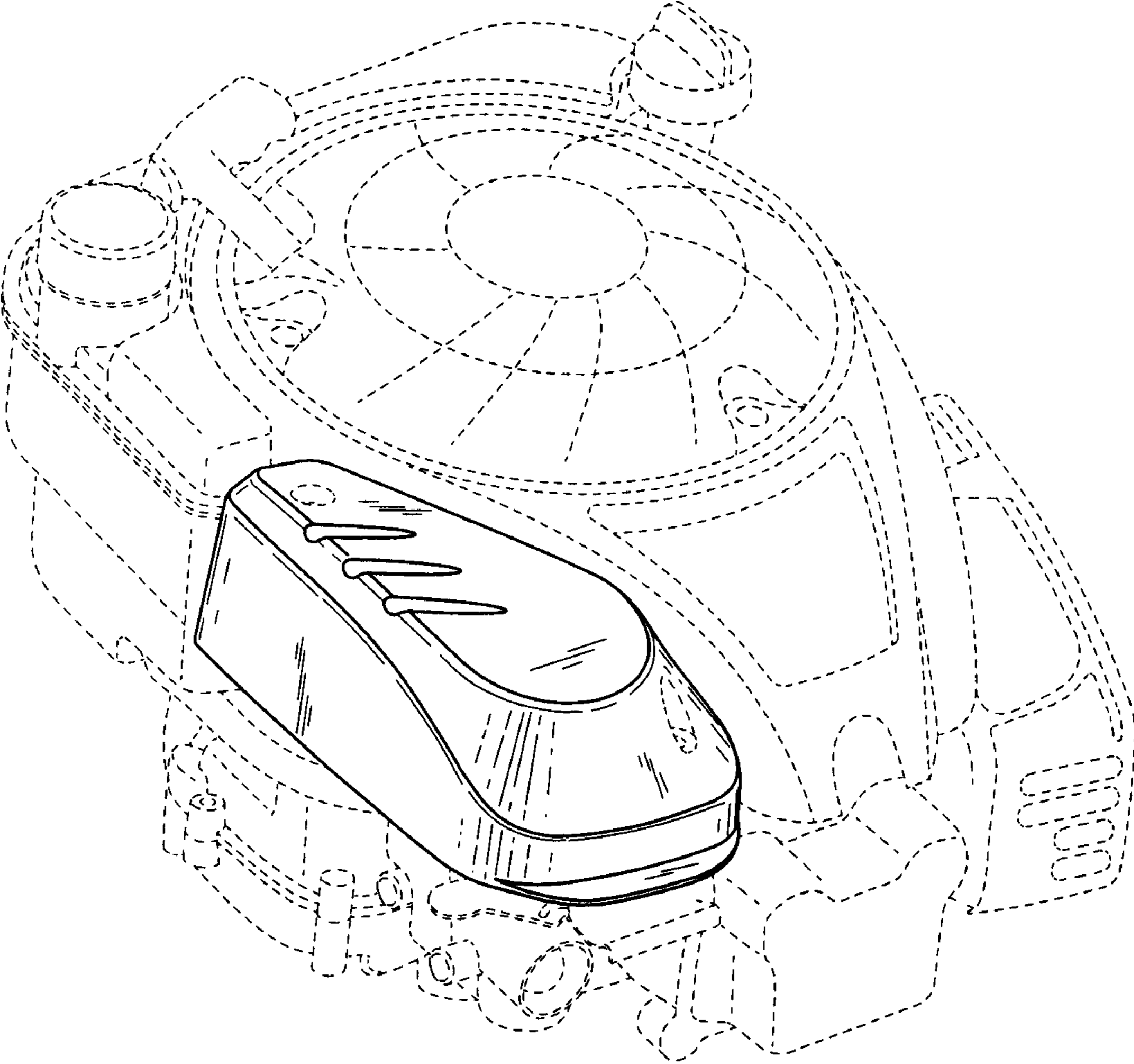


FIG. 1

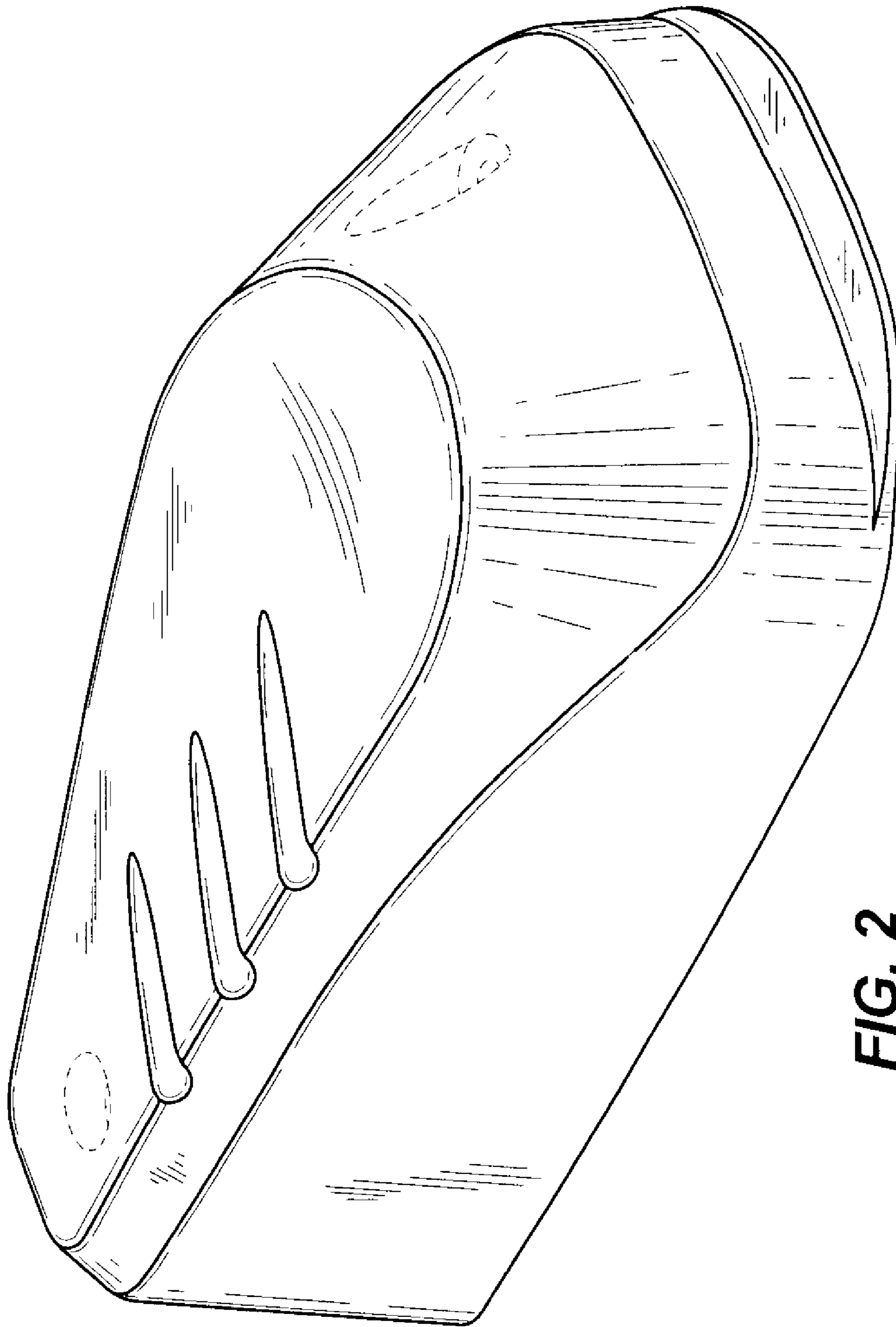


FIG. 2