



US00D529924S

(12) **United States Design Patent** (10) **Patent No.:** **US D529,924 S**
Ryczek et al. (45) **Date of Patent:** **** Oct. 10, 2006**

(54) **COVER FOR A VERTICAL SHAFTED ENGINE**

(75) Inventors: **Stephen J. Ryczek**, Harland, WI (US);
James D. Makiya, Wauwatosa, WI (US);
William M. Kindness, Franklin, WI (US);
Kyle Clasen, Hartford, WI (US)

(73) Assignee: **Briggs & Stratton Corporation**,
Wauwatosa, WI (US)

(**) Term: **14 Years**

(21) Appl. No.: **29/206,015**

(22) Filed: **May 24, 2004**

(51) **LOC (8) Cl.** **15-01**

(52) **U.S. Cl.** **D15/5**

(58) **Field of Classification Search** D15/1-5,
D15/14, 16-17, 149; 74/606 R; 123/41.66,
123/41.67, 41.7, 50 A, 50 B, 50 R, 51 R,
123/51 A, 195 C, 198 E, 306, 308, 657, 667,
123/661

See application file for complete search history.

(56) **References Cited**

U.S. PATENT DOCUMENTS

D257,844 S	*	1/1981	Stevens	D15/1
D309,458 S	*	7/1990	Johnson et al.	D15/1
D379,995 S	*	6/1997	Gilmore	D15/1
5,893,224 A		4/1999	Harrington et al.		
D449,051 S	*	10/2001	Miyashita	D15/1
6,318,003 B1		11/2001	Heismann		
6,324,936 B1		12/2001	Harrington		
6,381,881 B1		5/2002	Heismann		
6,427,364 B1		8/2002	Heismann et al.		
D479,532 S	*	9/2003	Kern et al.	D15/5
6,643,959 B1		11/2003	Jolliff et al.		
D487,751 S		3/2004	Neeley et al.		
2004/0217253 A1		11/2004	Street et al.		
2005/0229893 A1	*	10/2005	Miyake et al.	123/195 HC

OTHER PUBLICATIONS

Briggs And Stratton Corporaton; 04 Engine Guide; Brochure; At least as early as Jan. 1, 2003; front cover, pp. 5-58, back cover; 2004 Engine Guide; Wauwatosa, Wisconsin.
Honda Engines; GX Commercial Overhead Valve Vertical Shaft; website; Dec. 28, 2004; http://www.honda-engines.com/gx_ohv_ver.htm.

Honda Engines; GC Residential Overhead Valve/Overhead Cam Vertical Shaft; website; Dec. 28, 2004; http://www.honda-engines.com/gc_ohv_ver.htm.

Tecumseh Power Company; Walk-Behind Engines; Enduro XL & Formula; website; <http://www.tecumsehpower.com/Products/WalkBehind/engines.php>.

Tecumseh Power Company; Snow King Engines; Premium and Standard Line; website; Dec. 28, 2004; <http://www.tecumsehpower.com/Products/SnowEngines/engines.php>.

* cited by examiner

Primary Examiner—Terry A. Wallace

Assistant Examiner—Maurice Stevens

(74) *Attorney, Agent, or Firm*—Michael Best & Friedrich, LLP

(57) **CLAIM**

We claim the ornamental design for a cover for a vertical-shafted engine, as shown and described.

DESCRIPTION

FIG. 1 is a perspective view of a cover for a vertical-shafted engine according to one embodiment of the invention;

FIG. 2 is a top view thereof;

FIG. 3 is a right side view thereof;

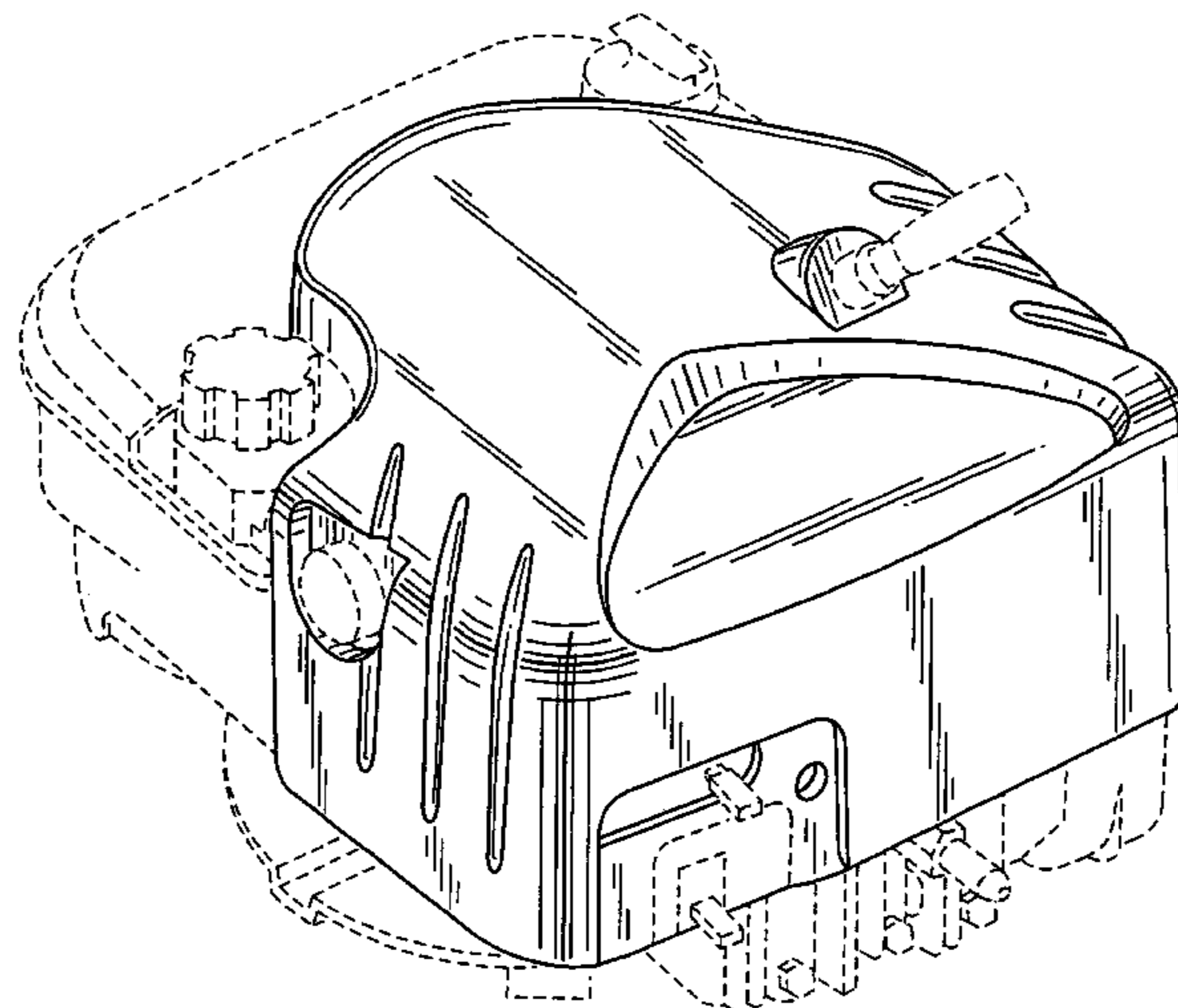
FIG. 4 is a front view thereof;

FIG. 5 is a rear view thereof; and,

FIG. 6 is a left side view thereof.

The broken line showing of the environment is for illustrative purposes only and forms no part of the claimed design. The bottom view is omitted and forms no part of the claimed design.

1 Claim, 6 Drawing Sheets



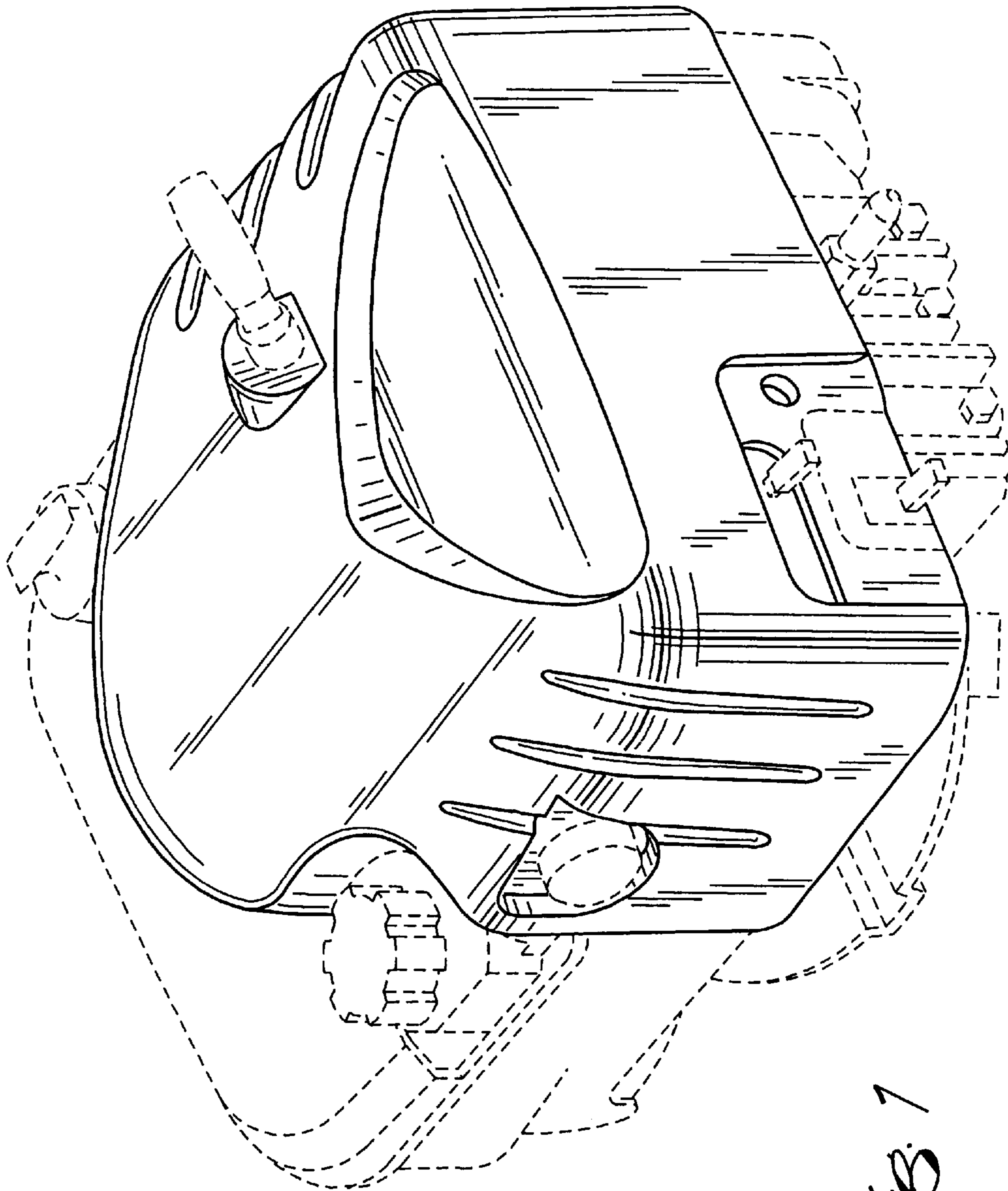


Fig. 7

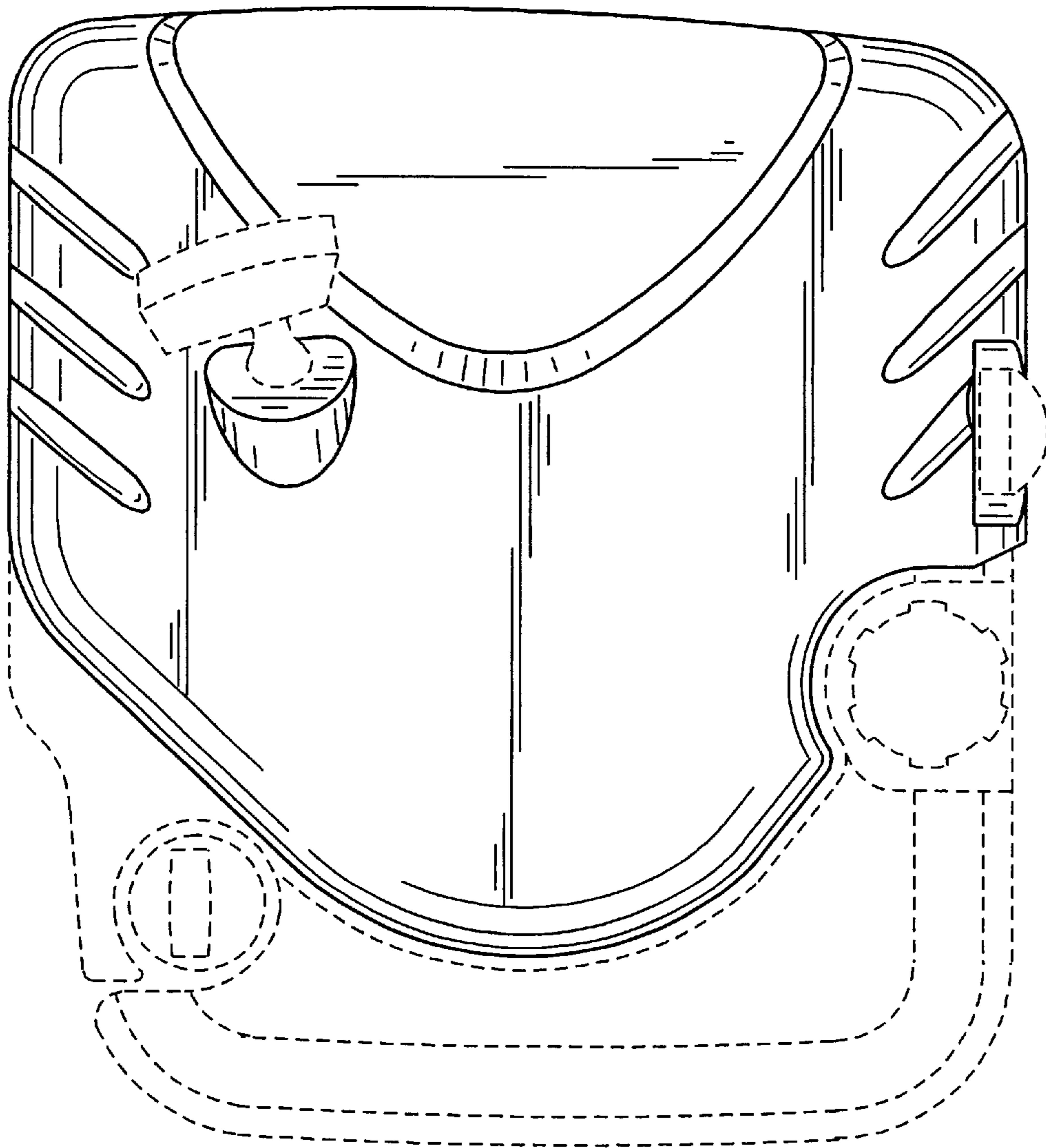
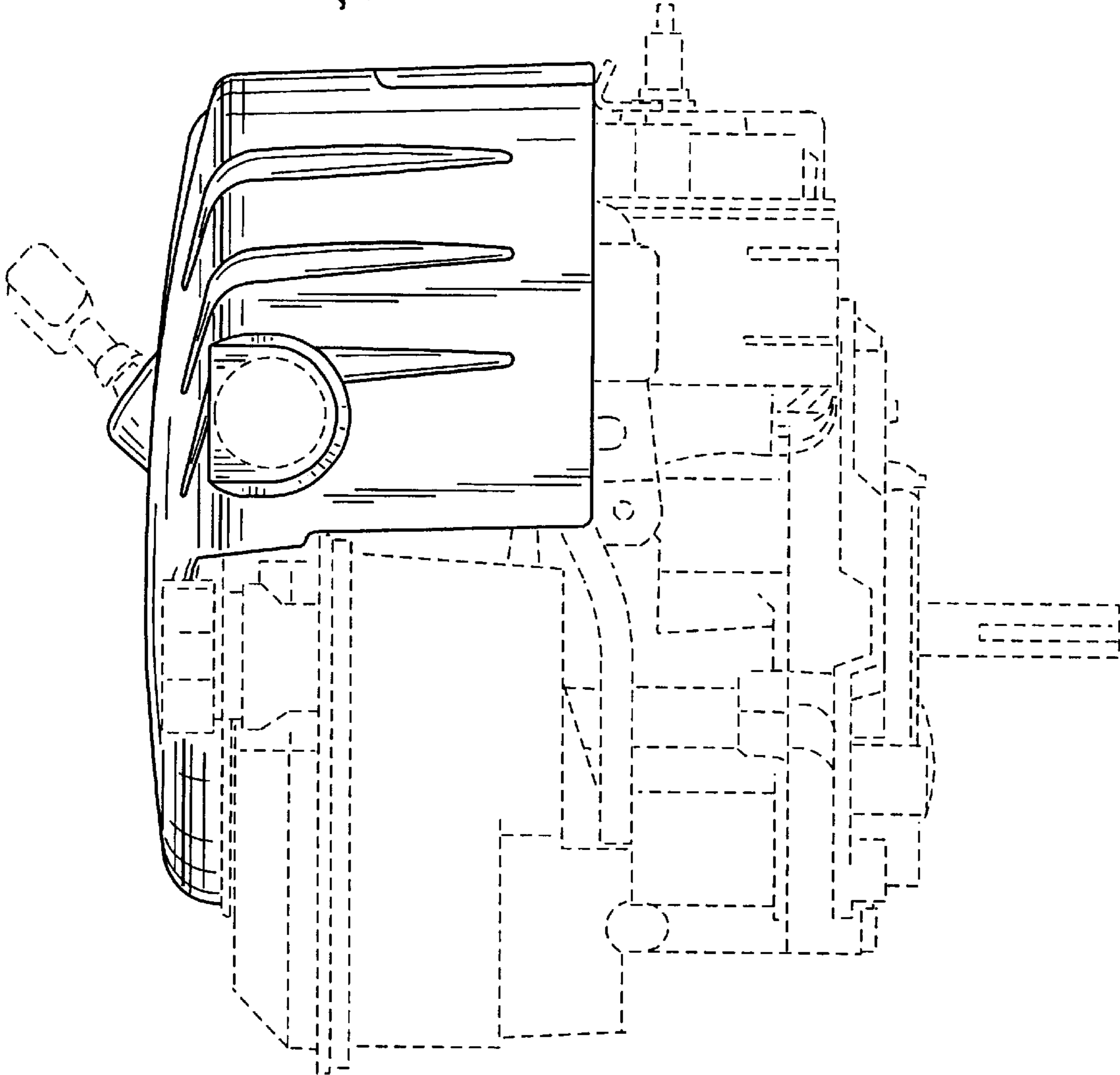


FIG. 2

3
Fig.



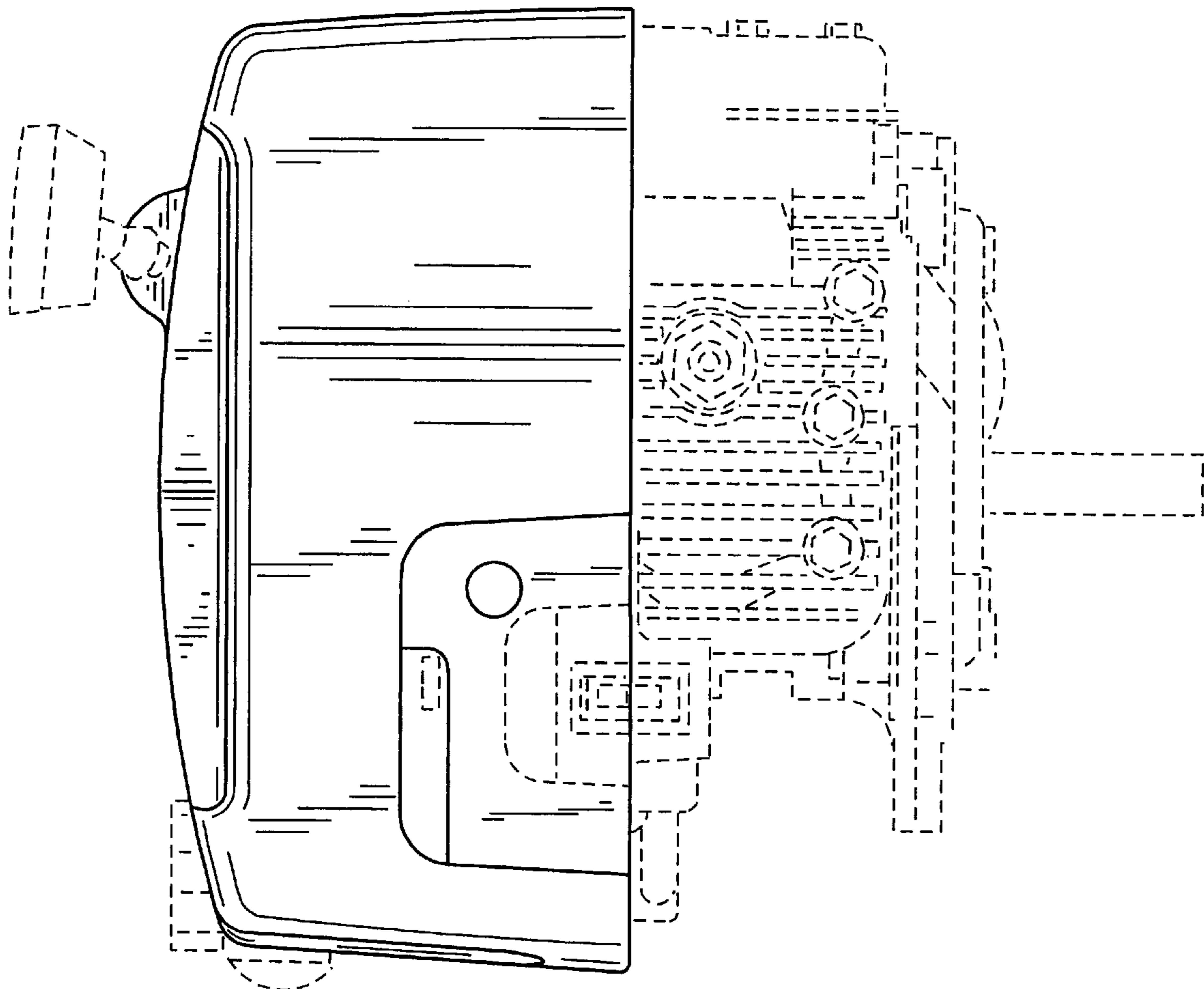


FIG. 4

Fig. 5

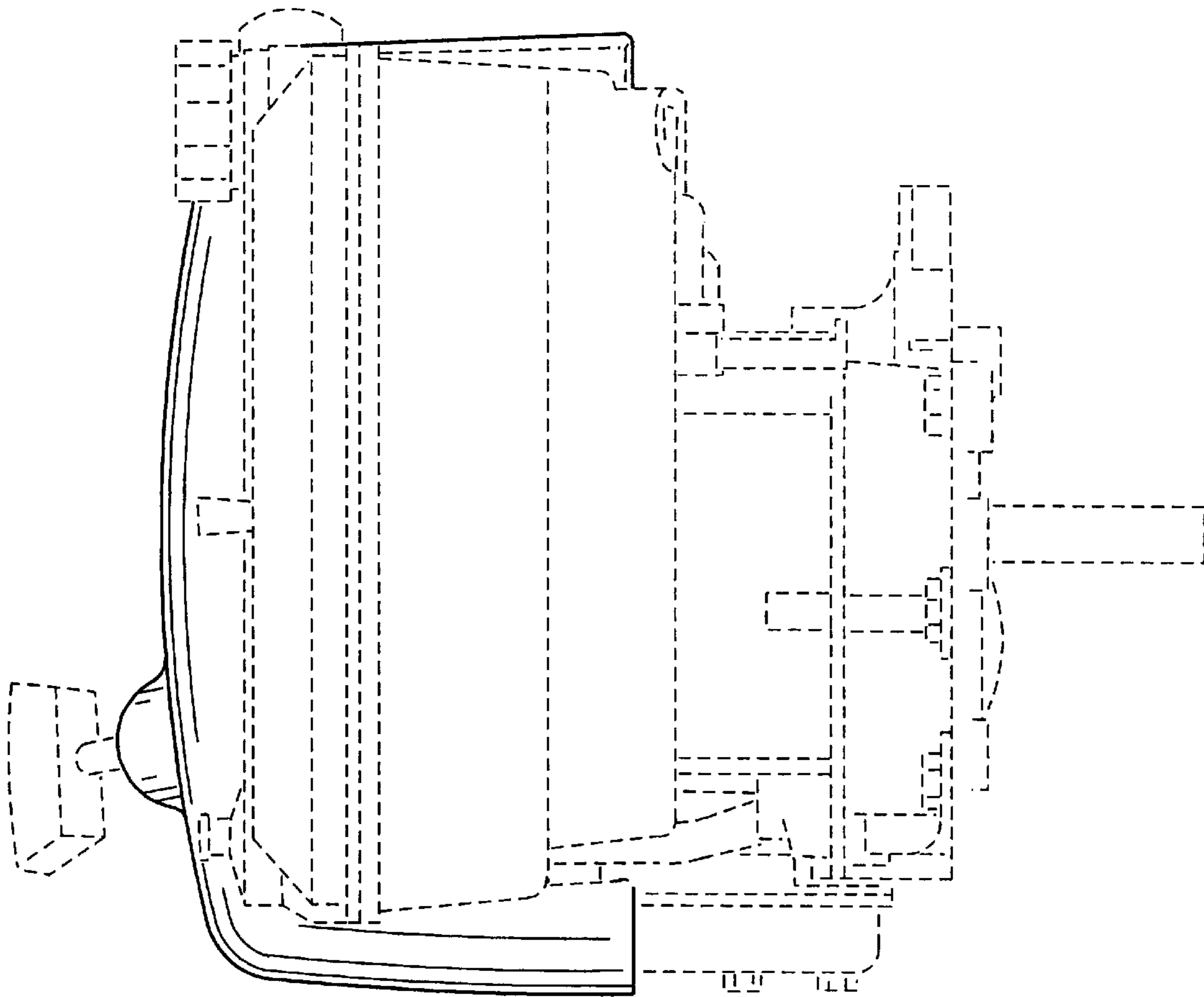


Fig. 6

