



US00D529923S

(12) **United States Design Patent**
Liao

(10) **Patent No.:** **US D529,923 S**

(45) **Date of Patent:** **** Oct. 10, 2006**

(54) **INLET MANIFOLD**

D374,446 S * 10/1996 Bendell D15/5

(75) Inventor: **Davi Liao**, São Paulo (BR)

* cited by examiner

(73) Assignee: **International Engine Intellectual Property Company, LLC**, Warrenville, IL (US)

Primary Examiner—Caron D. Veynar

Assistant Examiner—Maurice Stevens

(74) *Attorney, Agent, or Firm*—Dennis Kelly Sullivan; Susan L. Lukasik; Jeffrey P. Calfa

(**) Term: **14 Years**

(57) **CLAIM**

(21) Appl. No.: **29/203,807**

The ornamental design for an inlet manifold, as shown and described.

(22) Filed: **Apr. 20, 2004**

DESCRIPTION

(51) **LOC (8) Cl.** **15-01**

(52) **U.S. Cl.** **D15/5**

(58) **Field of Classification Search** D15/1-5;
123/210, 52 M, 41.1, 41.73; 261/DIG. 36,
261/23.3, 23.4

See application file for complete search history.

FIG. 1 is a first perspective view of the inlet manifold of the present invention, showing my new design; FIG. 2 is a second perspective view thereof; FIG. 3 is a back view thereof; FIG. 4 is a front view thereof; FIG. 5 is a top view thereof; FIG. 6 is a bottom view thereof; FIG. 7 is a left side view thereof; and, FIG. 8 is a right side view thereof.

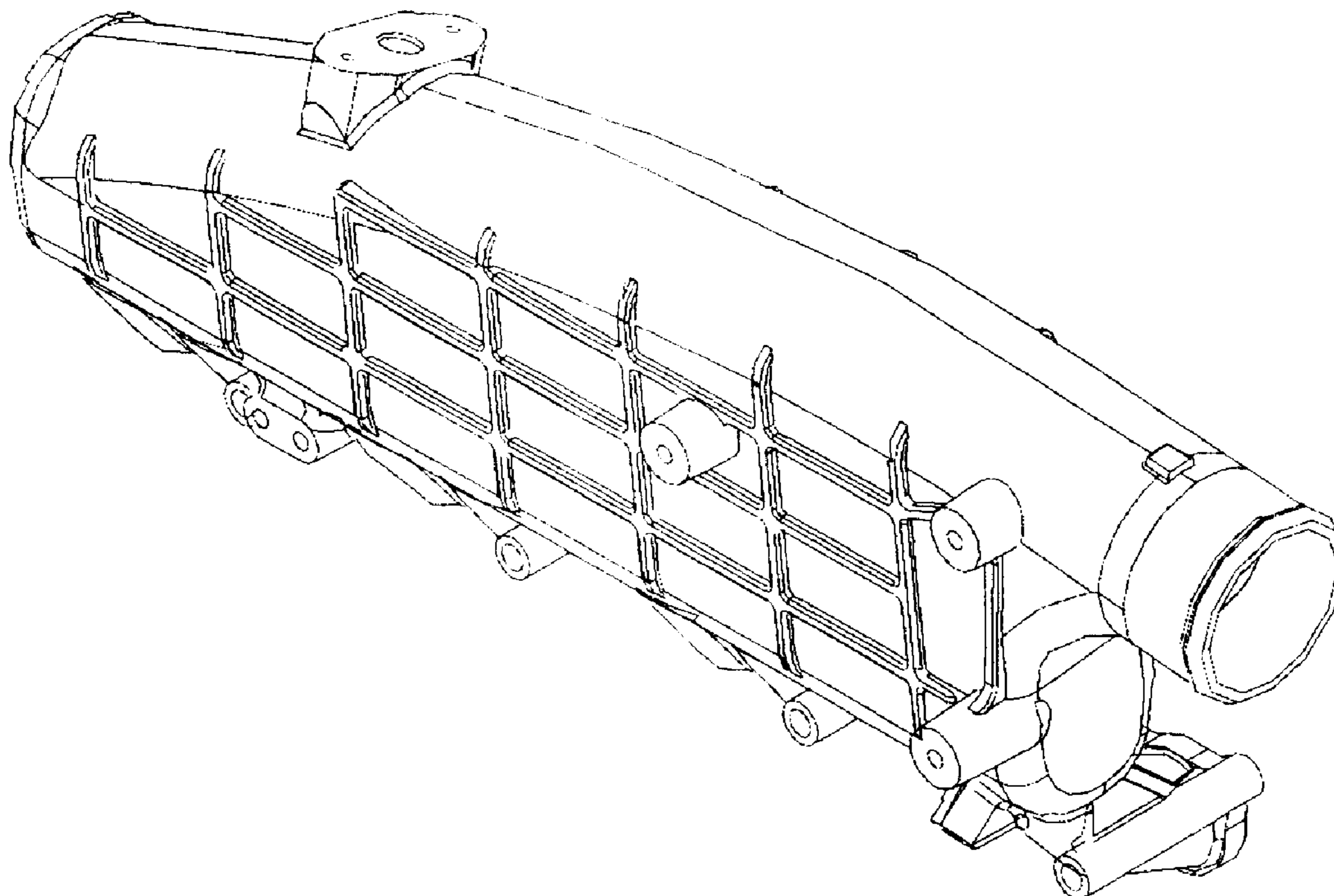
(56) **References Cited**

U.S. PATENT DOCUMENTS

D222,599 S * 11/1971 Waiand D15/5

D340,933 S * 11/1993 Karlsson et al. D15/5

1 Claim, 3 Drawing Sheets



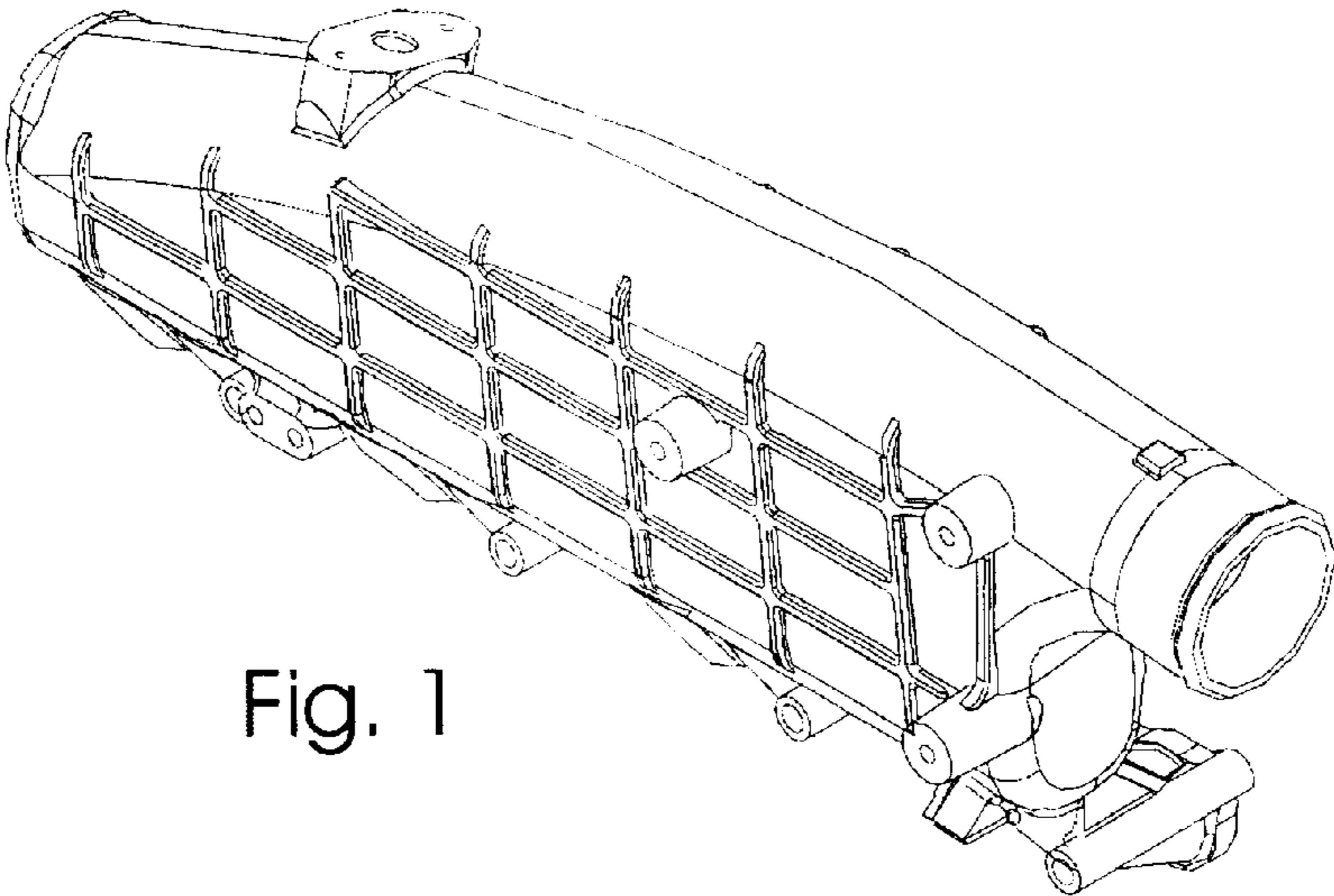


Fig. 1

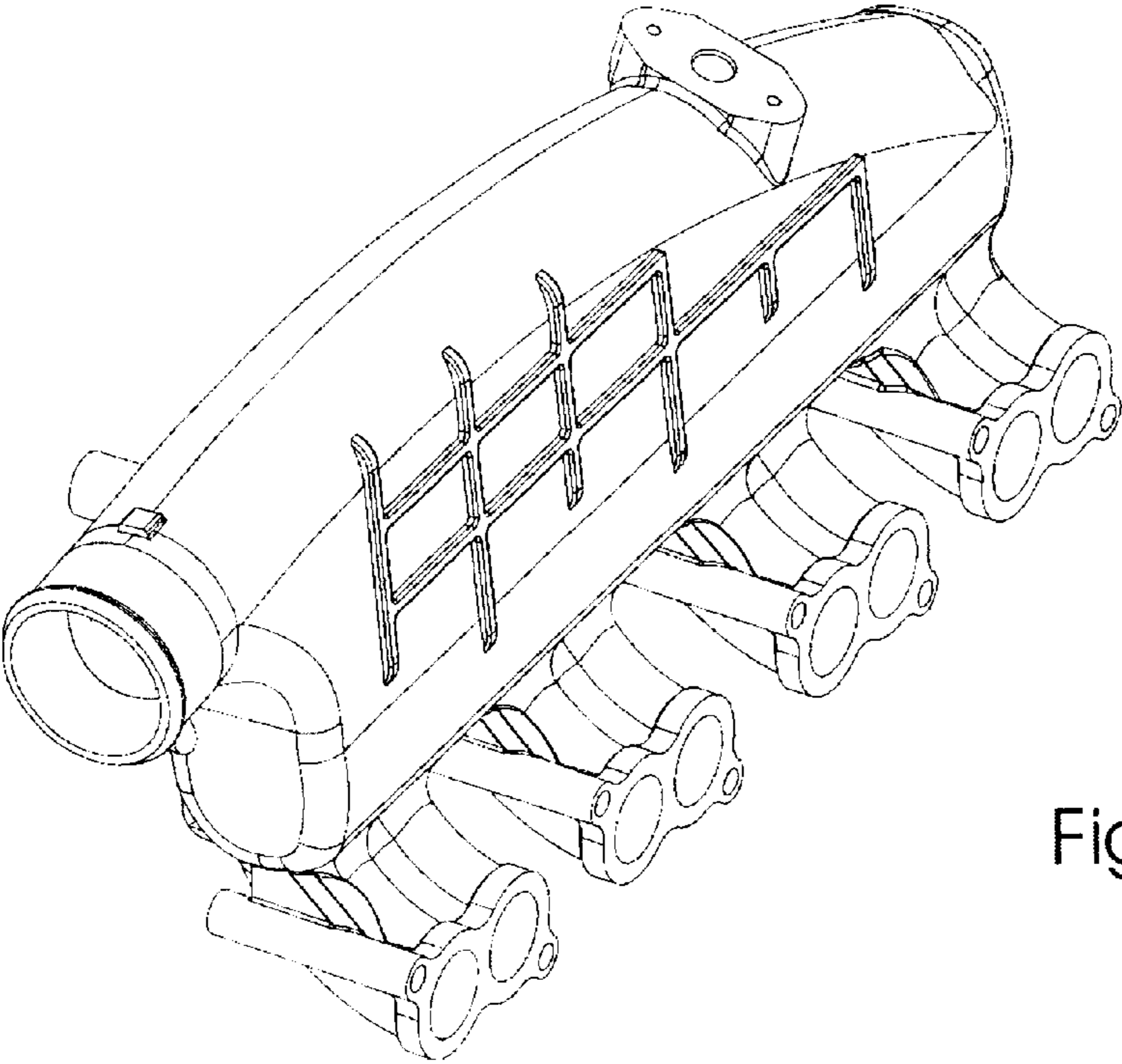


Fig. 2

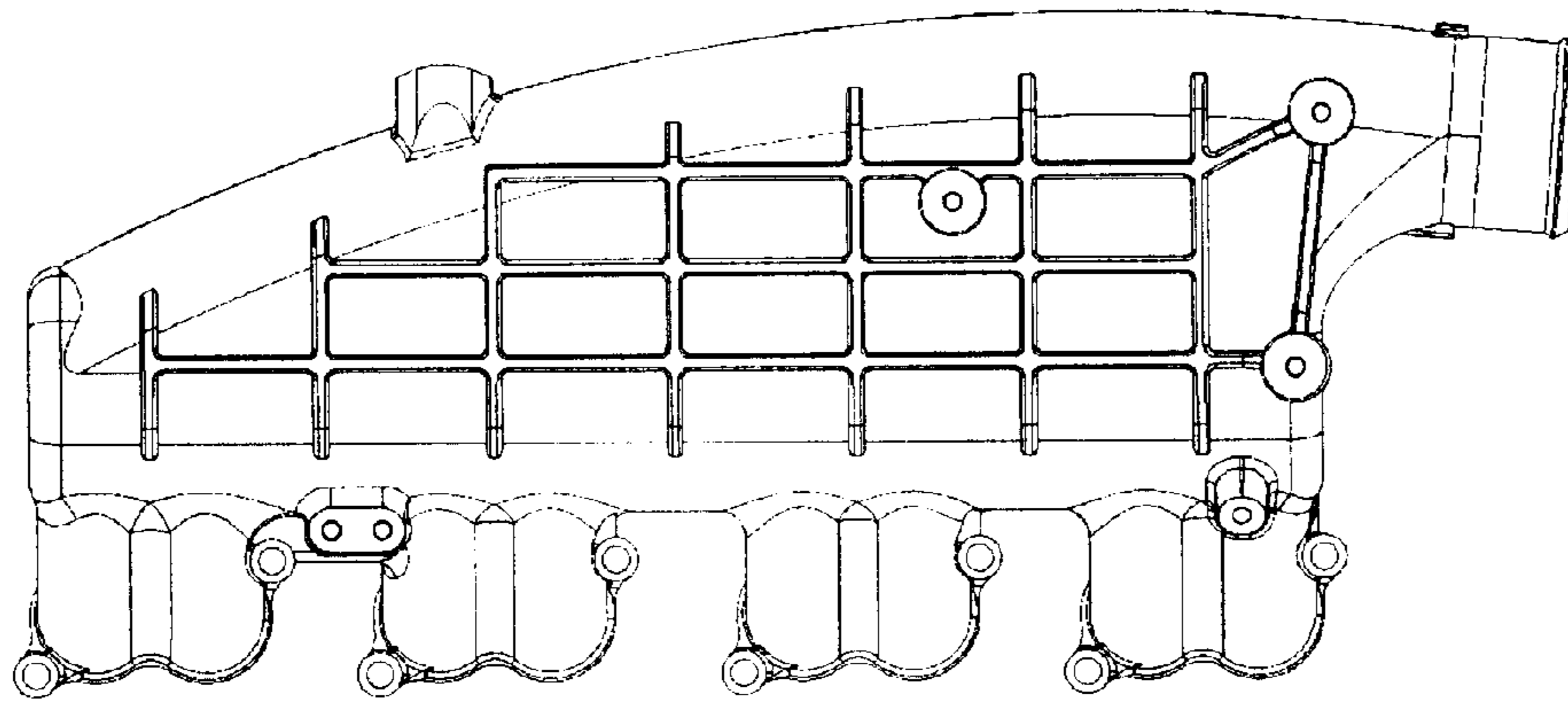


Fig. 3

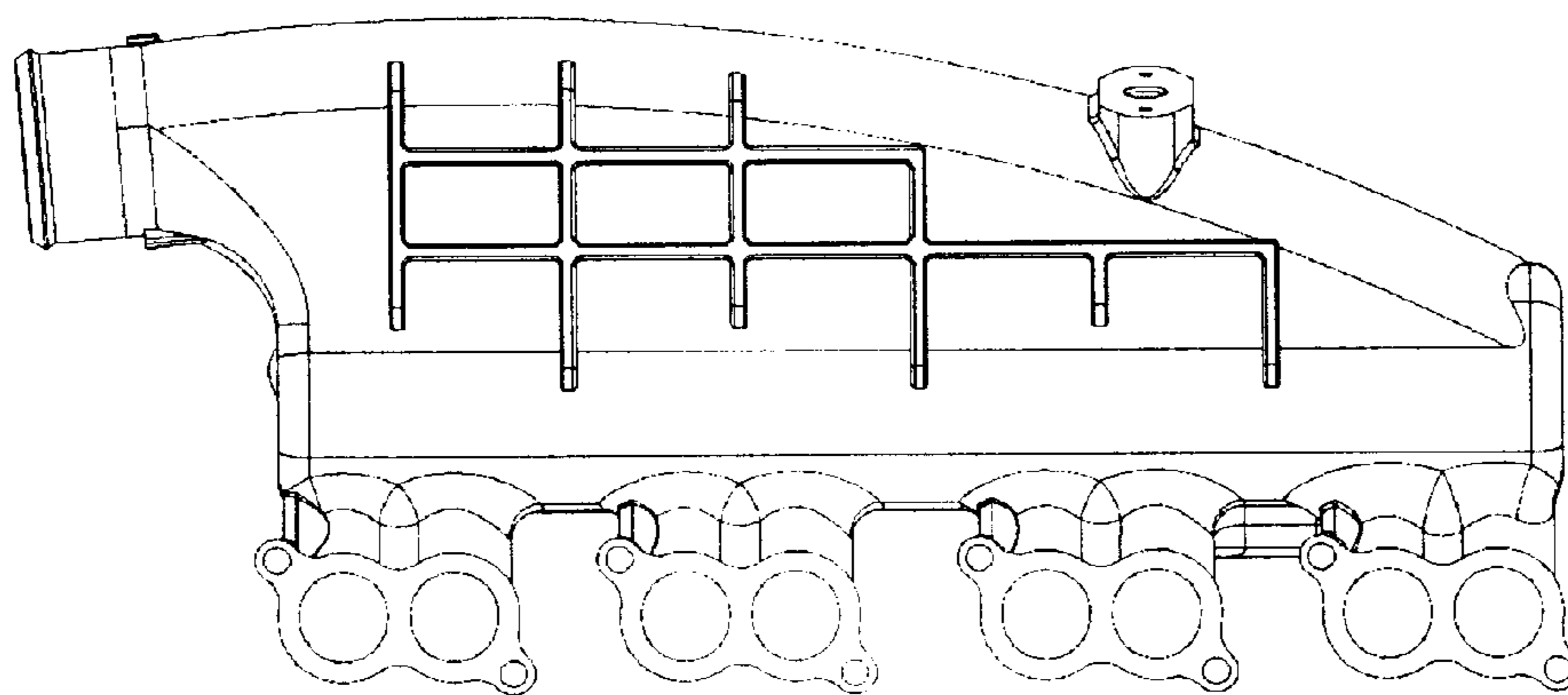


Fig. 4

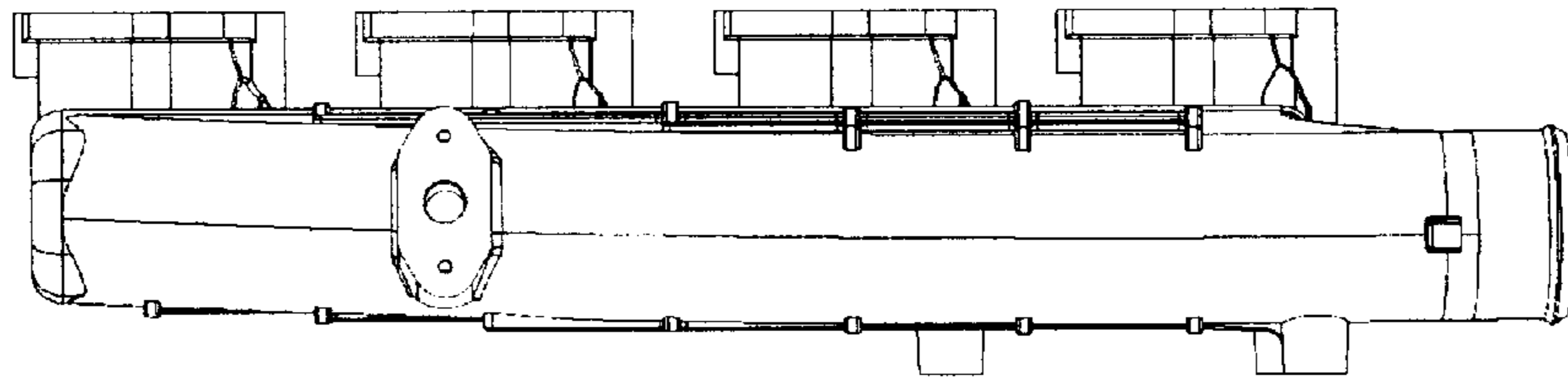


Fig. 5

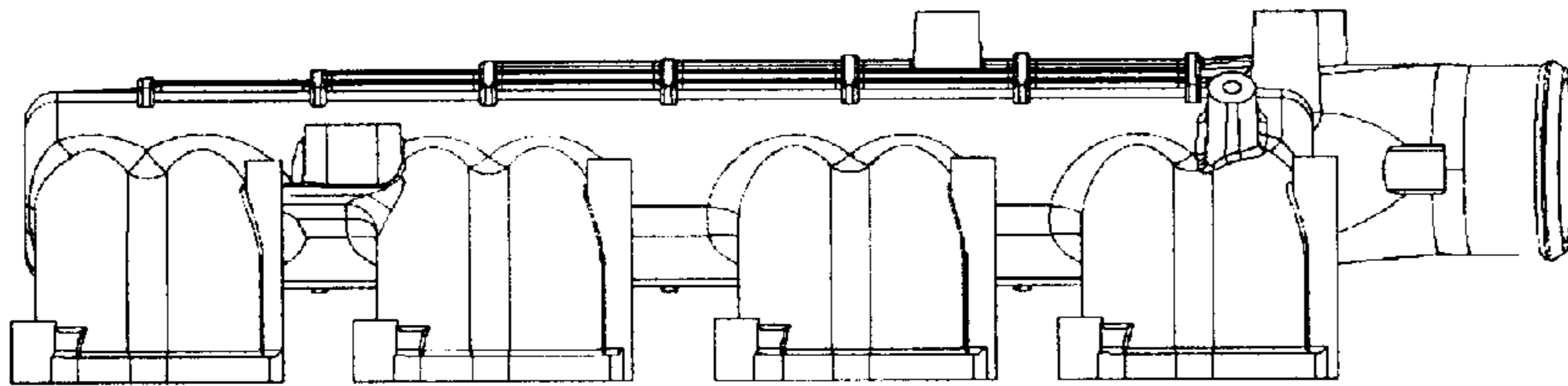


Fig. 6

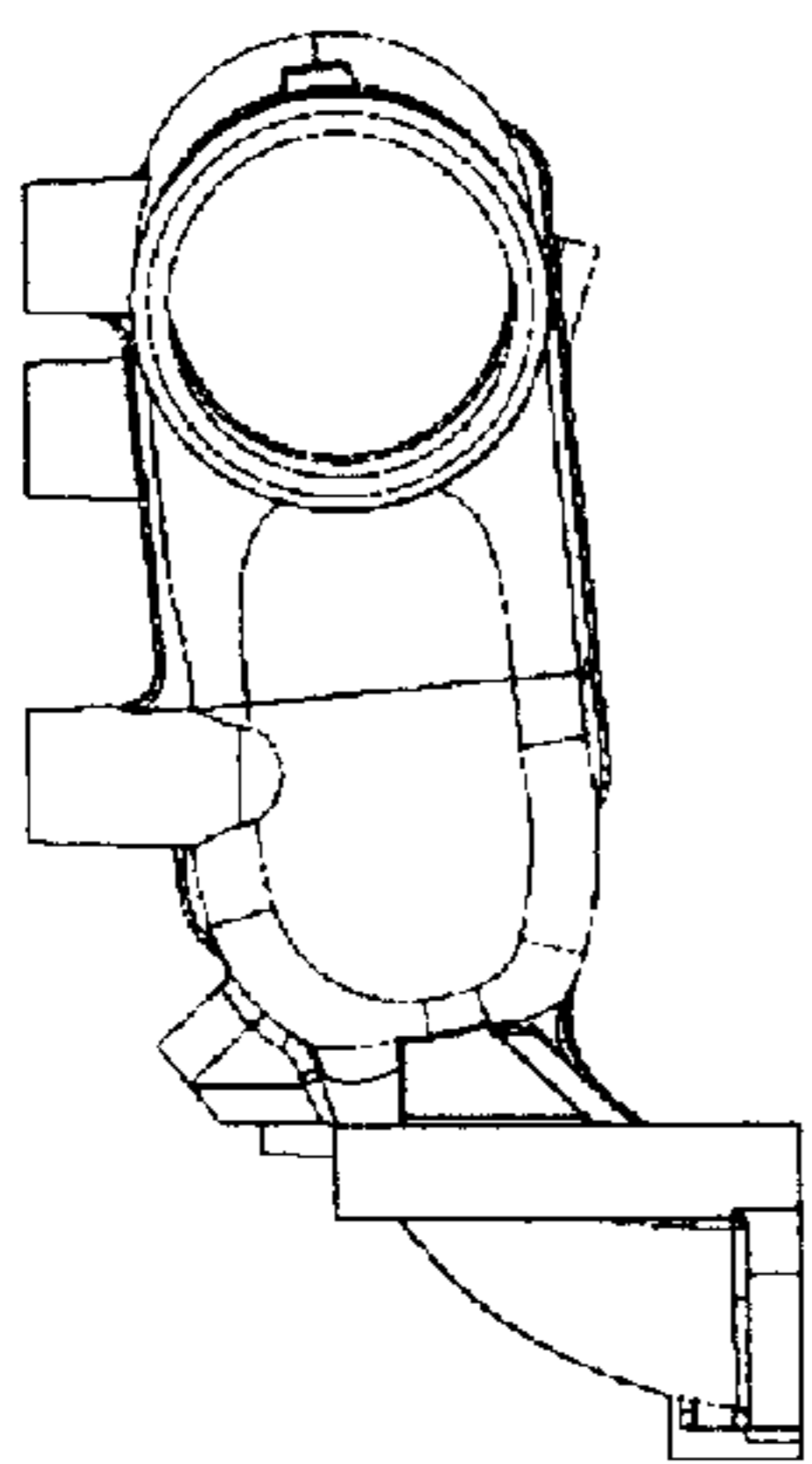


Fig. 7

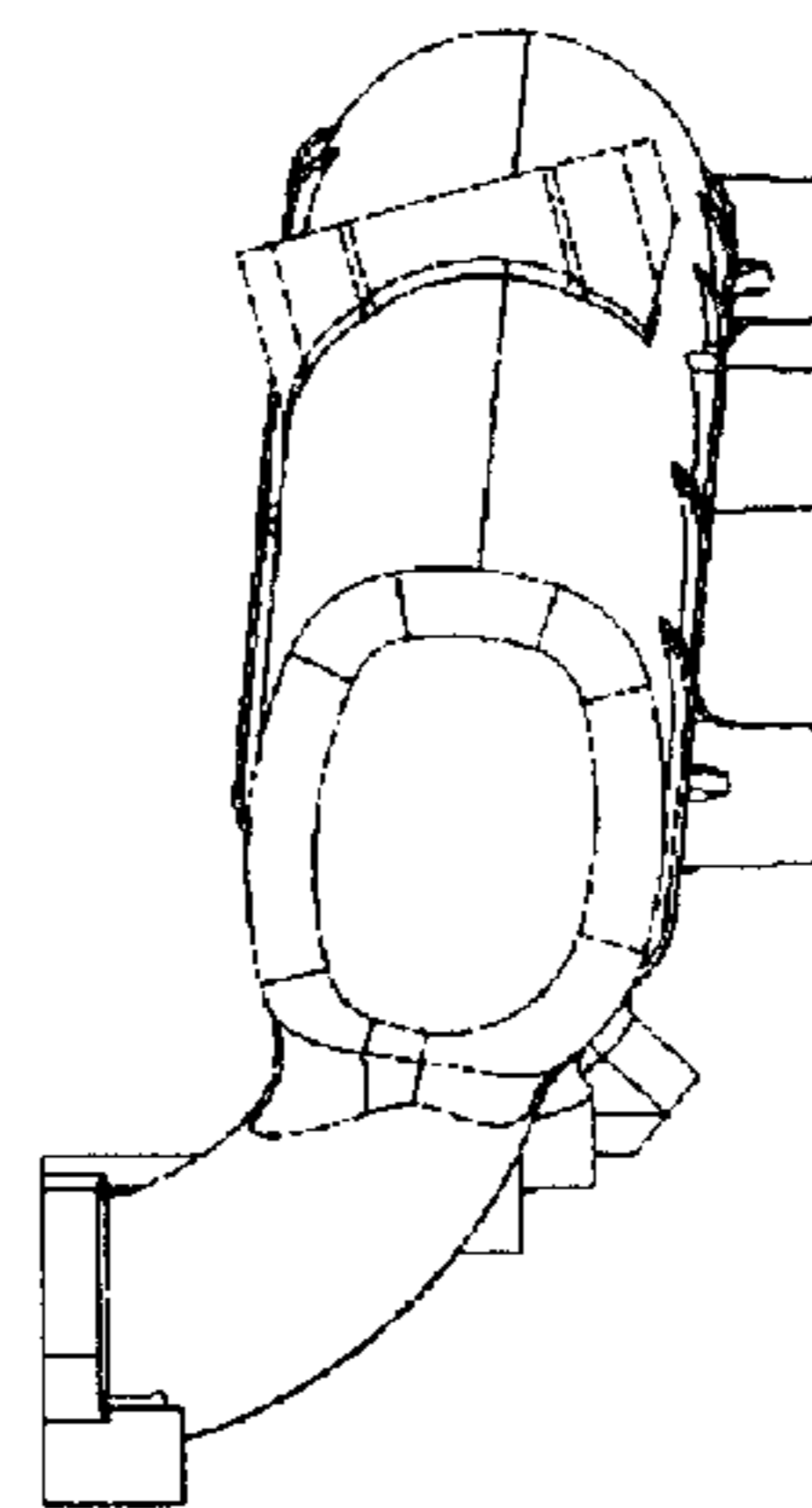


Fig. 8