



US00D529913S

(12) **United States Design Patent**  
**Chen et al.**

(10) **Patent No.:** **US D529,913 S**

(45) **Date of Patent:** **\*\* Oct. 10, 2006**

(54) **LCD MONITOR**

(75) Inventors: **Yung-Hsiang Chen**, Miao-Li (TW);  
**Che-Min Huang**, Miao-Li (TW);  
**Meng-Tse Tsai**, Miao-Li (TW)

(73) Assignee: **Innolux Display Corp.**, Miao-Li (TW)

(\*\*) Term: **14 Years**

(21) Appl. No.: **29/243,068**

(22) Filed: **Nov. 18, 2005**

(30) **Foreign Application Priority Data**

Oct. 7, 2005 (TW) ..... 94306066

(51) **LOC (8) Cl.** ..... **14-02**

(52) **U.S. Cl.** ..... **D14/375**

(58) **Field of Classification Search** ..... D14/371-375,  
D14/125-129, 356; 248/917-924; 341/12;  
345/104, 156, 168, 173, 901-905; 348/180,  
348/184, 325, 739; 349/1, 2, 11, 62  
See application file for complete search history.

(56) **References Cited**

**U.S. PATENT DOCUMENTS**

- D425,035 S \* 5/2000 Kondo et al. .... D14/375
- D428,415 S \* 7/2000 Shibata ..... D14/356
- D468,311 S \* 1/2003 Lee ..... D14/375

- D469,091 S \* 1/2003 Hasegawa et al. .... D14/375
- D476,335 S \* 6/2003 Miao et al. .... D14/375
- D488,139 S \* 4/2004 Takami et al. .... D14/126

\* cited by examiner

*Primary Examiner*—Freda S. Nunn

(74) *Attorney, Agent, or Firm*—Wei Te Chung

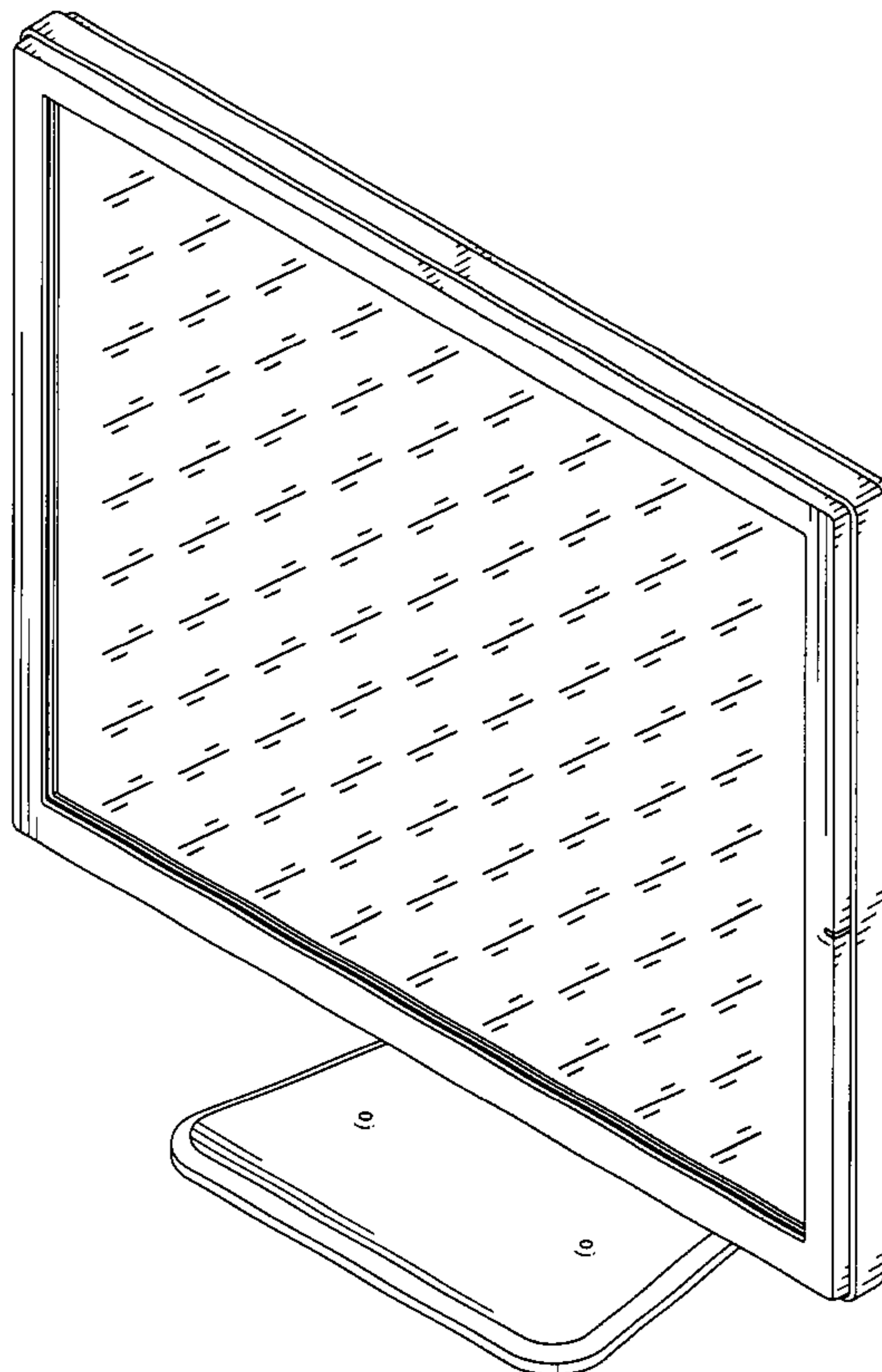
(57) **CLAIM**

The ornamental design for a LCD monitor, as shown and described.

**DESCRIPTION**

FIG. 1 is a front, top, right-side perspective view of a LCD monitor showing our new design;  
 FIG. 2 is a front elevational view thereof;  
 FIG. 3 is a rear elevational view thereof;  
 FIG. 4 is a left side elevational view thereof;  
 FIG. 5 is a right side elevational view thereof;  
 FIG. 6 is a top plan view thereof;  
 FIG. 7 is a bottom plan view thereof;  
 FIG. 8 is a front, top, right side perspective view in one using situation thereof; and,  
 FIG. 9 is a right side elevational view thereof shown in an alternate position, the broken line disclosure being shown for illustrative purposes only and forms no part of the claimed design.

**1 Claim, 7 Drawing Sheets**



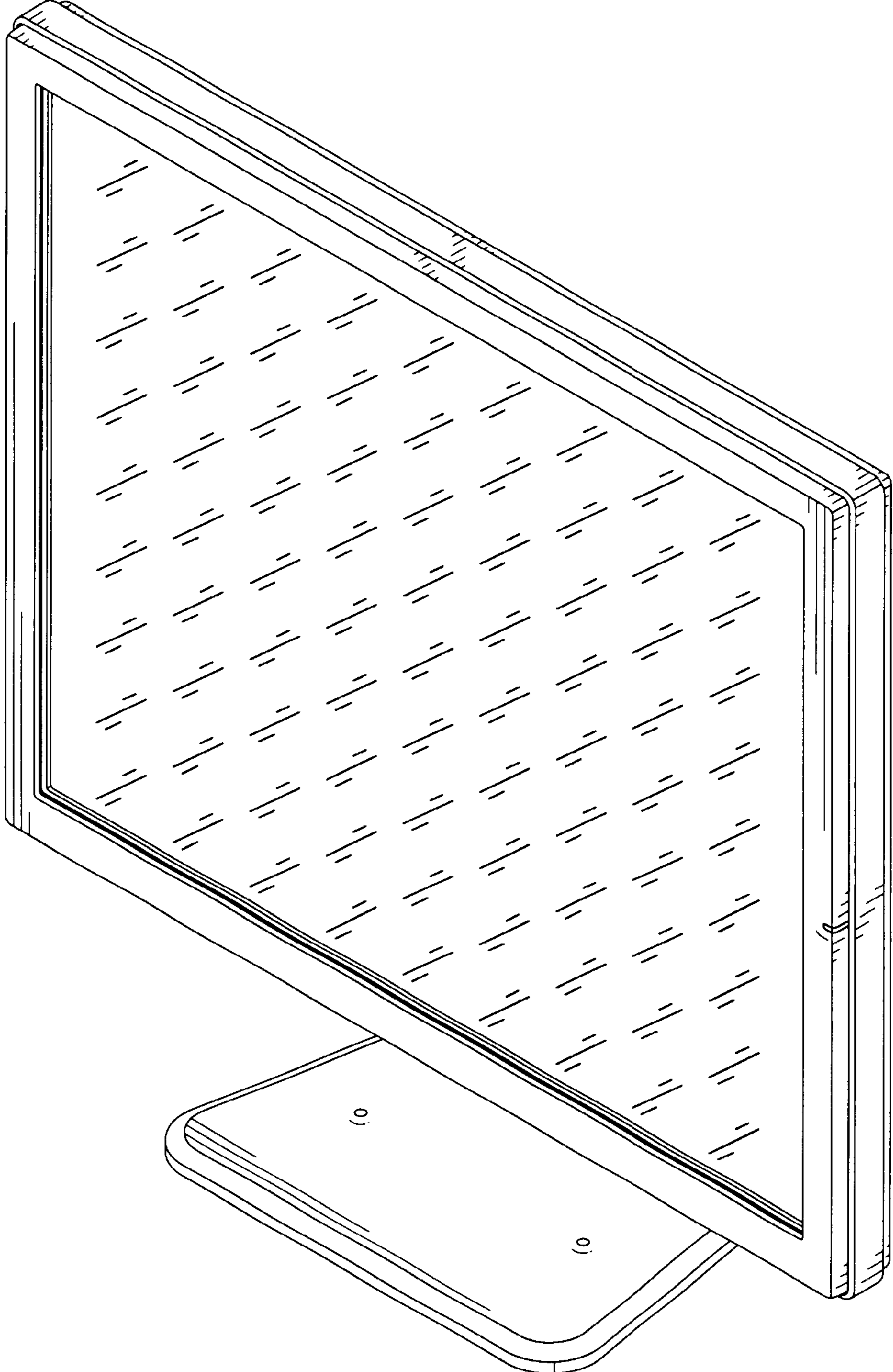


FIG. 1

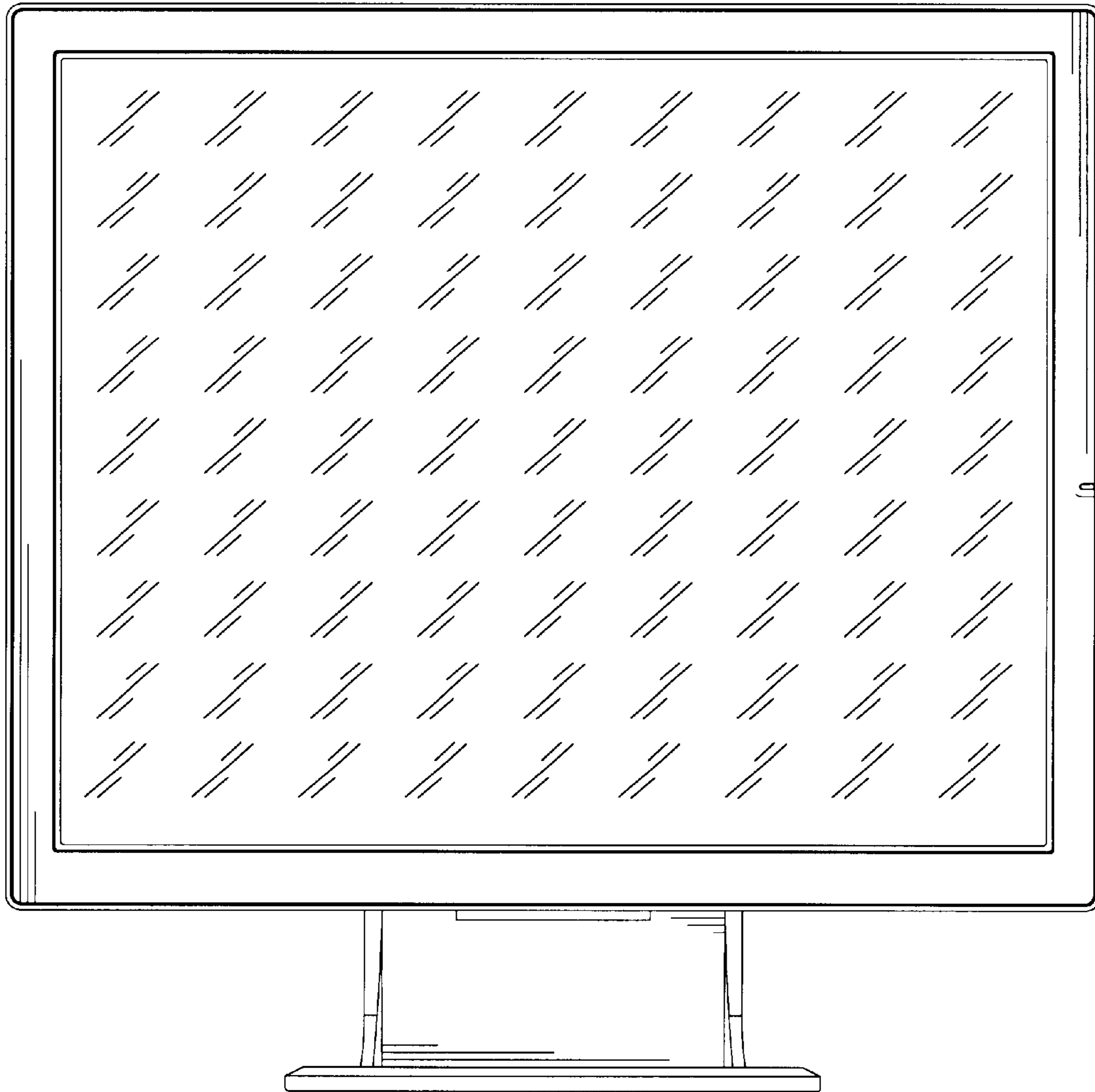


FIG. 2

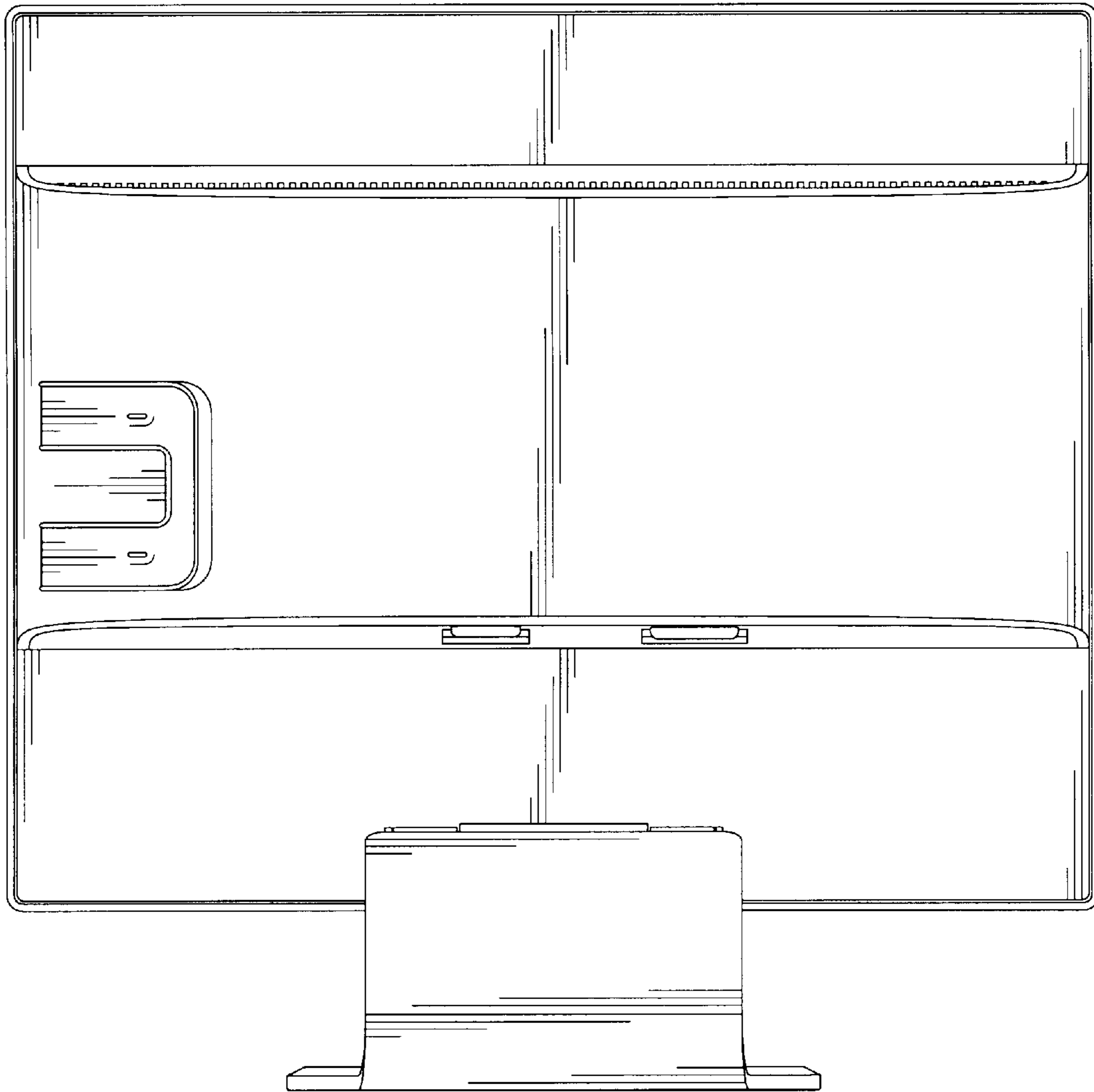


FIG. 3

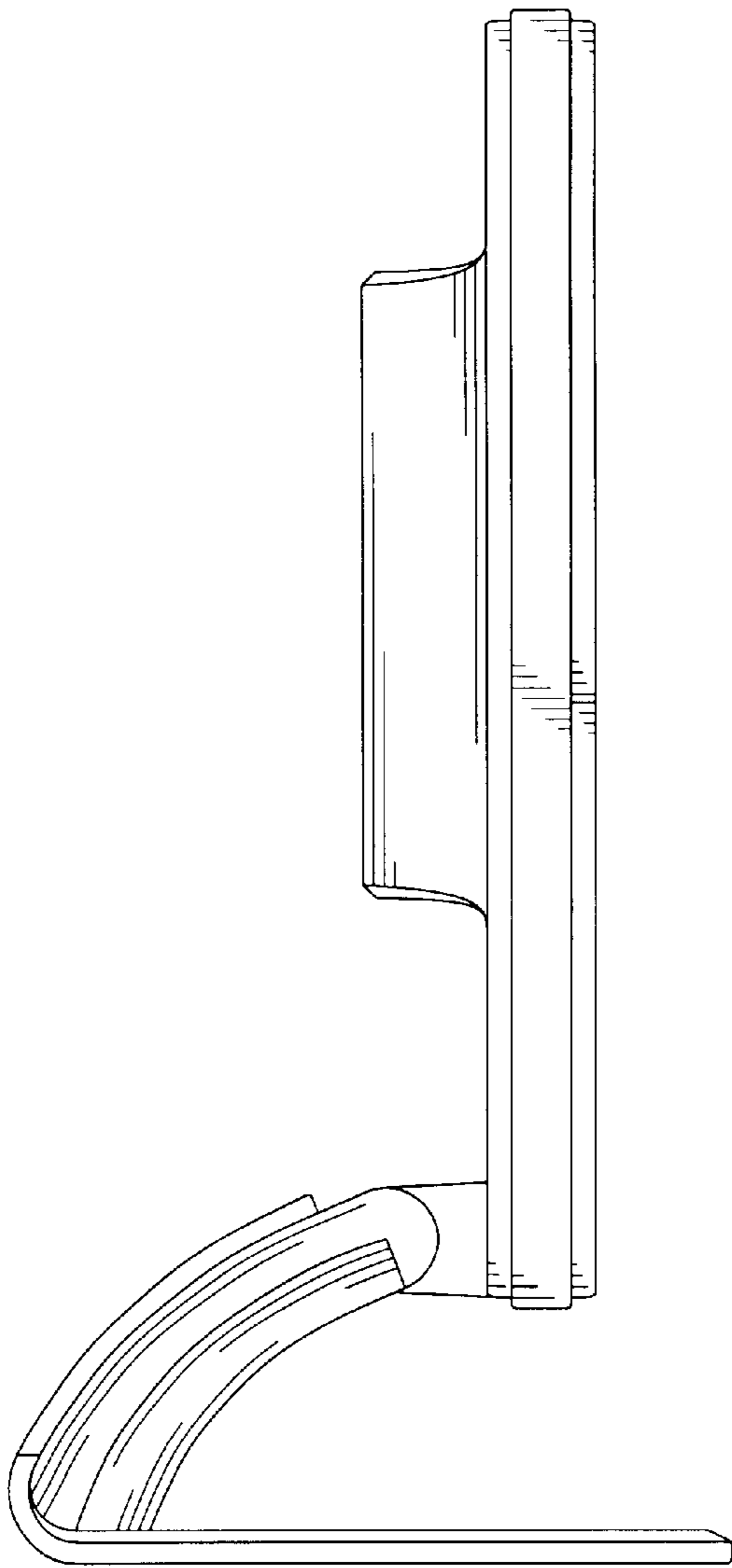


FIG. 4

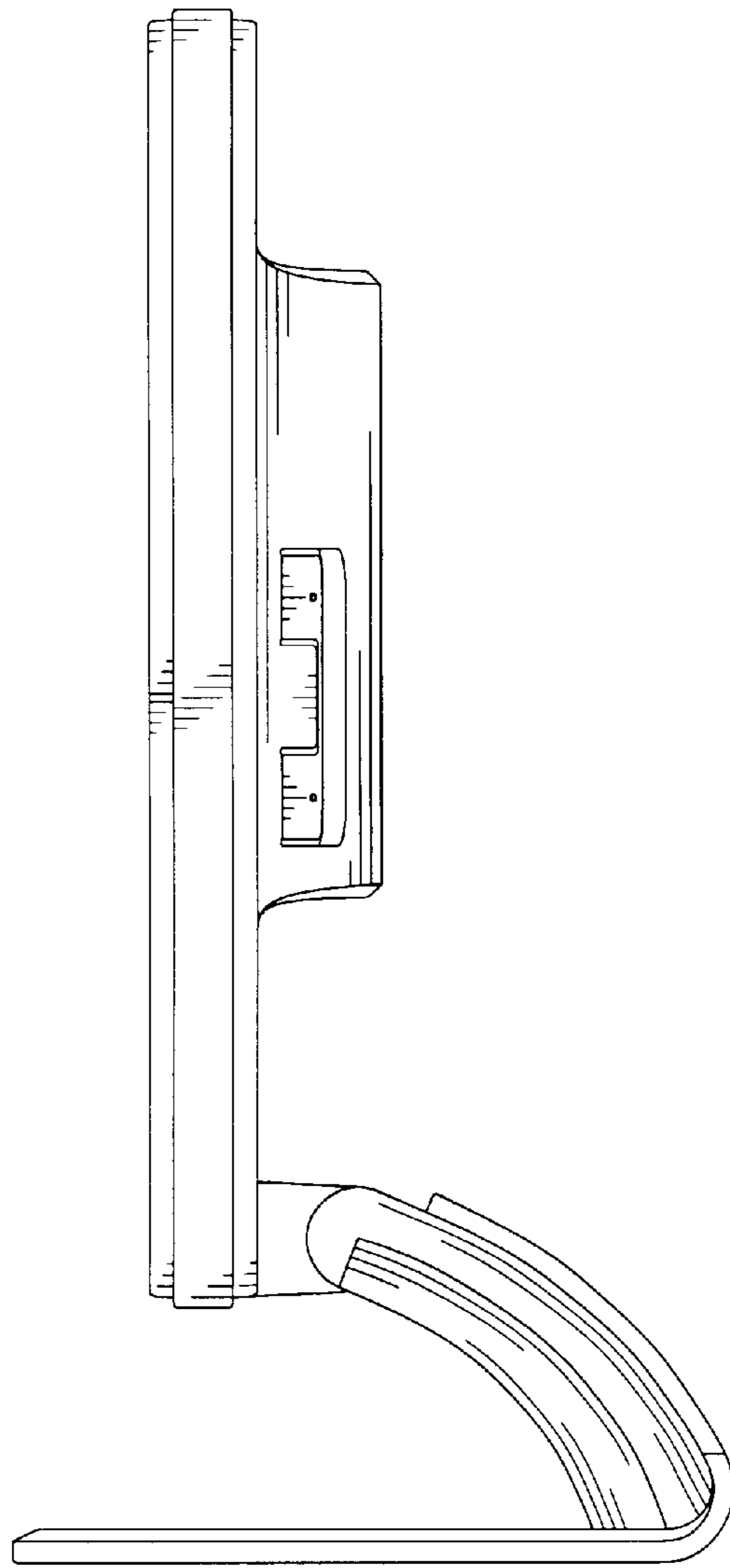


FIG. 5

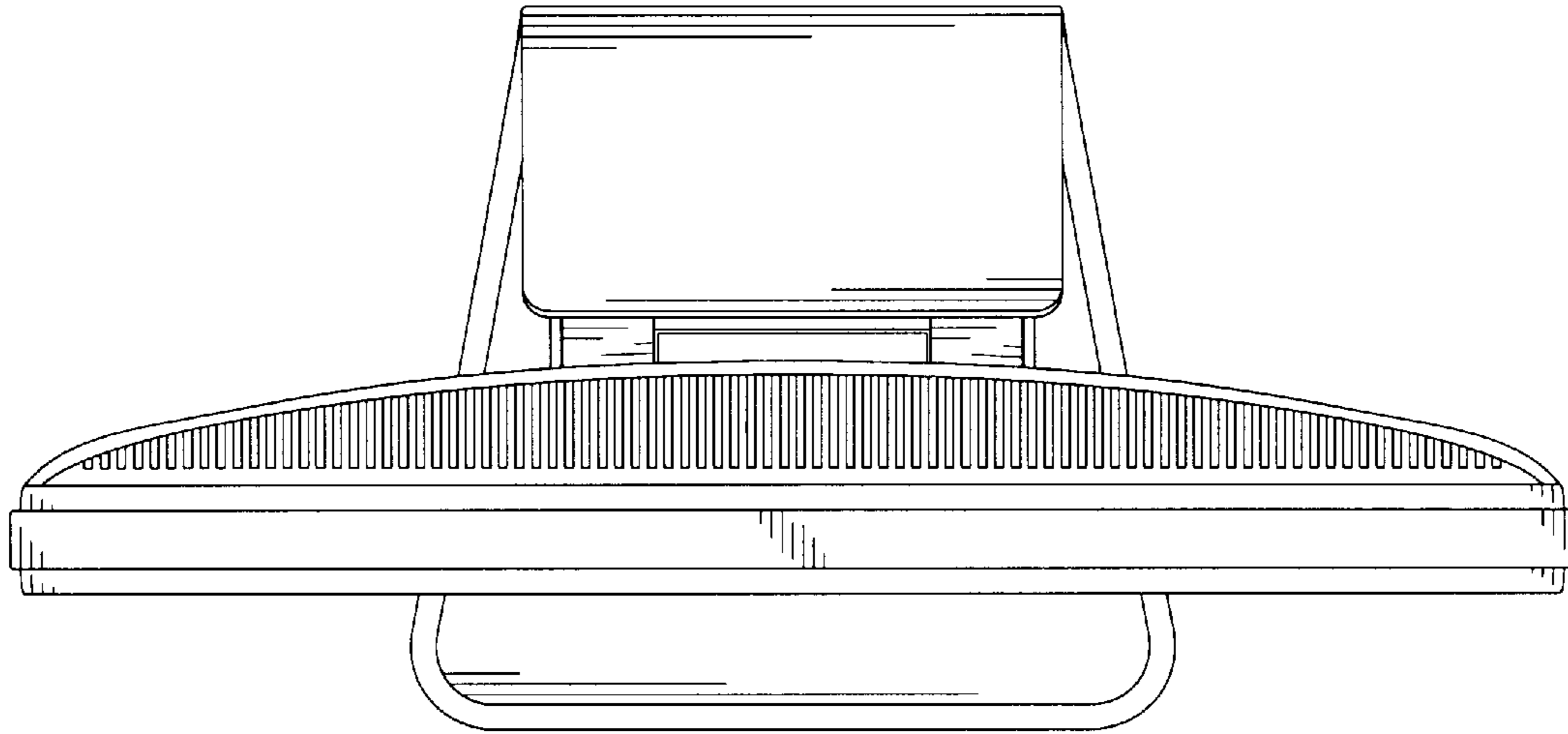


FIG. 6

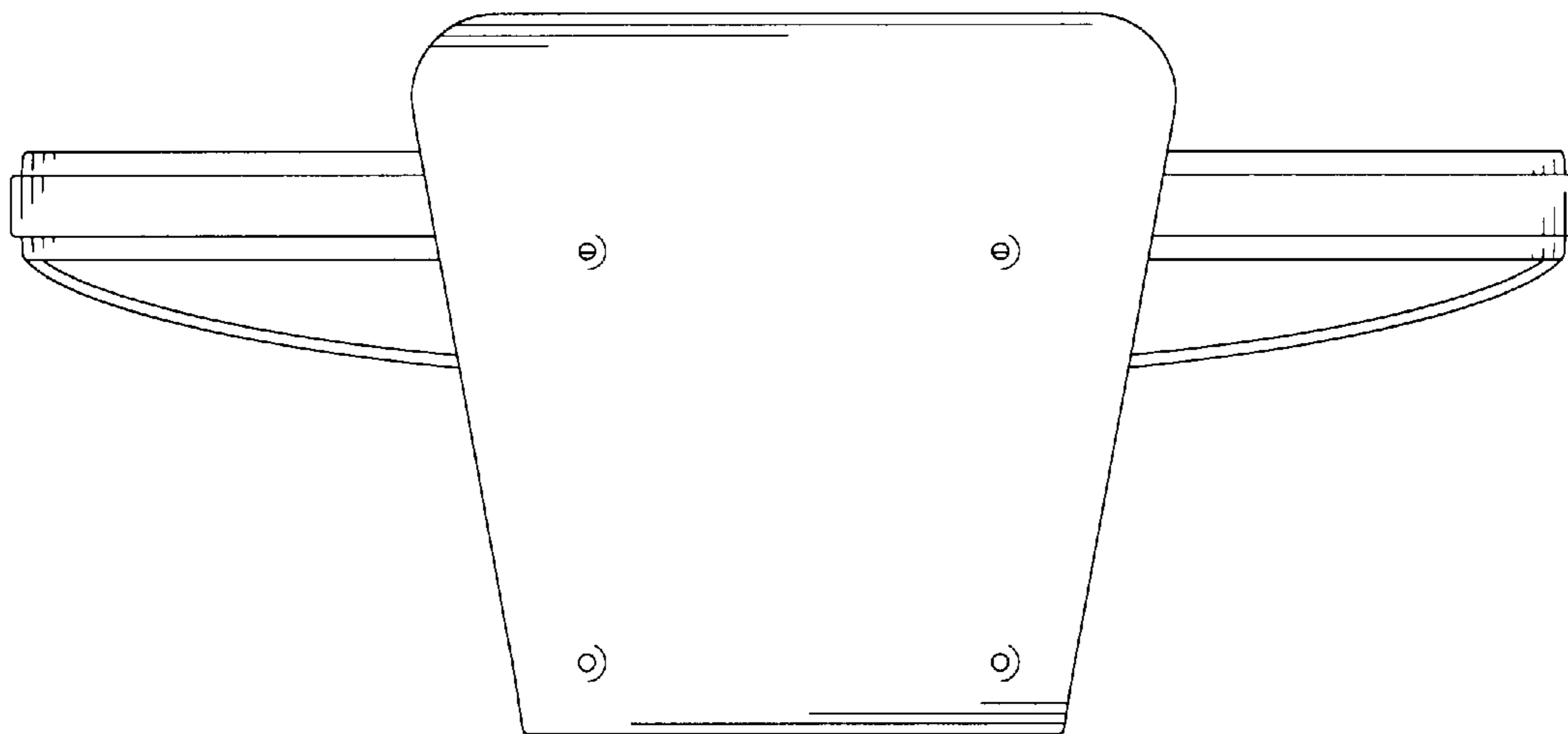


FIG. 7

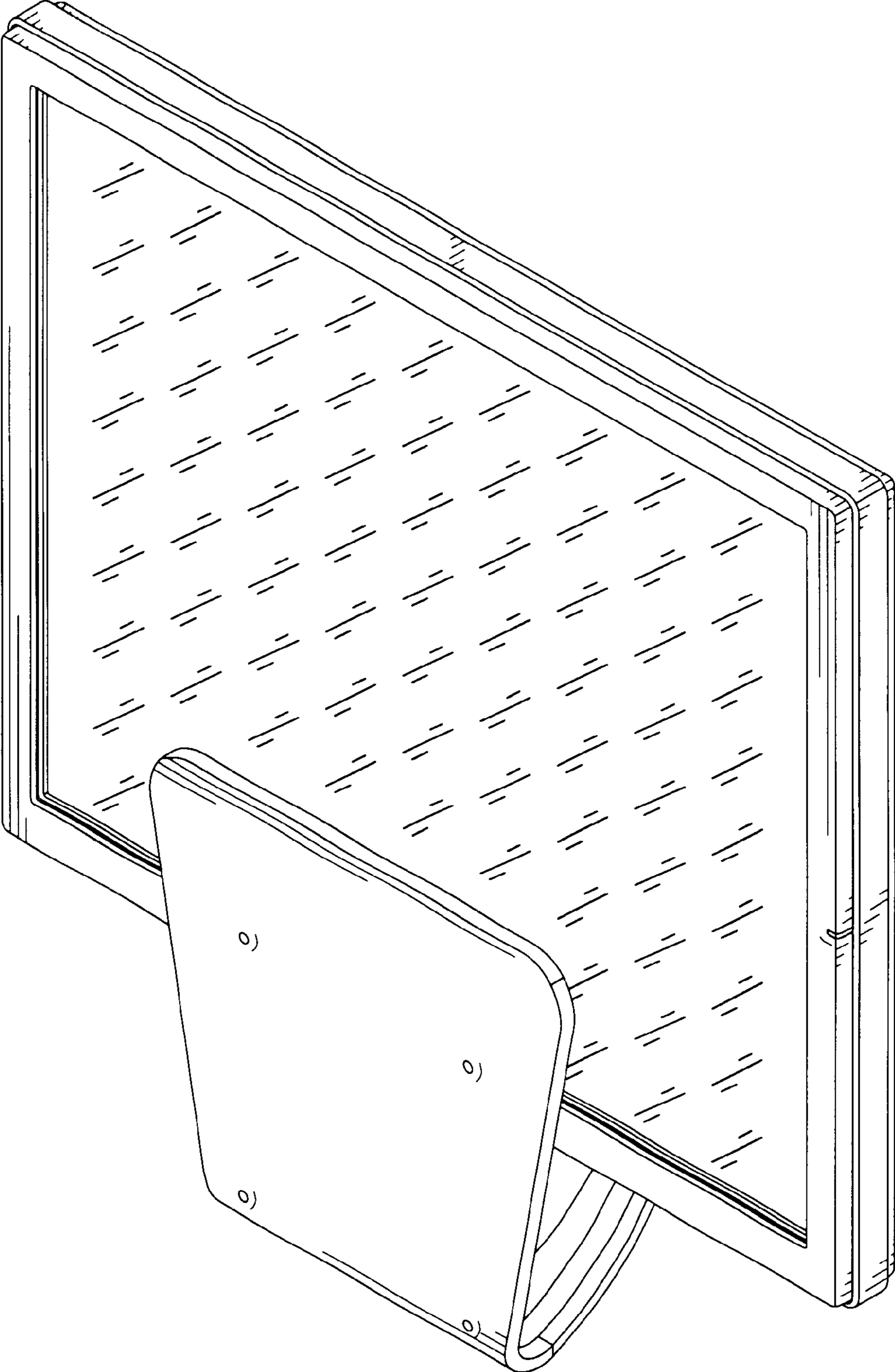


FIG. 8

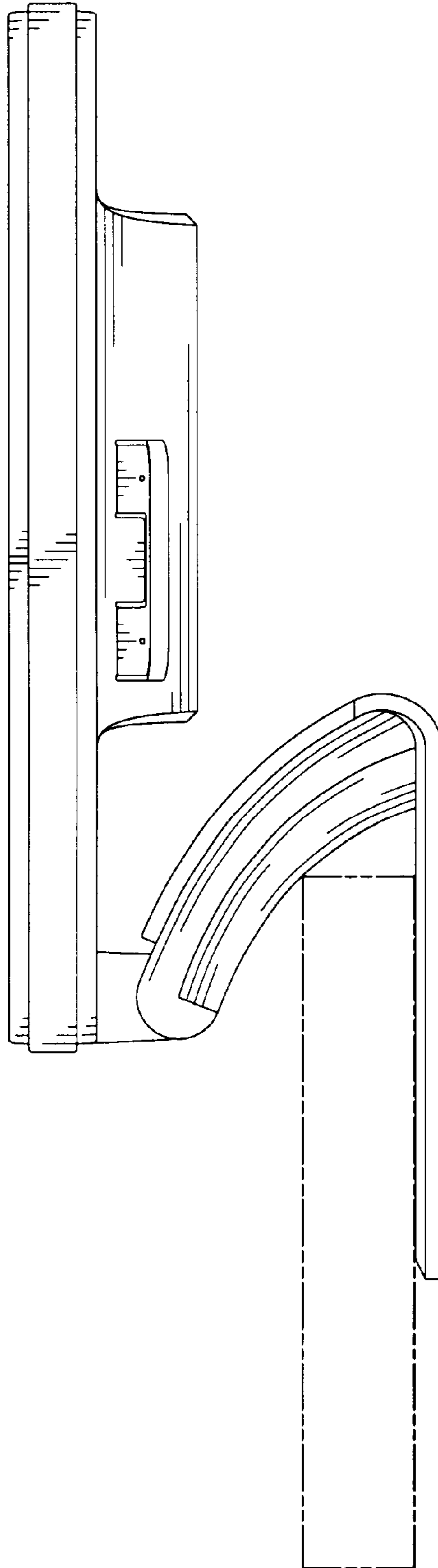


FIG. 9