

US00D529912S

(12) **United States Design Patent** (10) **Patent No.:** **US D529,912 S**
Chen et al. (45) **Date of Patent:** **** Oct. 10, 2006**

(54) **LCD MONITOR**

(75) Inventors: **Yung-Hsiang Chen**, Miao-Li (TW);
Che-Min Huang, Miao-Li (TW);
Meng-Tse Tsai, Miao-Li (TW);
Chen-Yu Wu, Miao-Li (TW)

(73) Assignee: **Innolux Display Corp.**, Miao-Li (TW)

(**) Term: **14 Years**

(21) Appl. No.: **29/239,021**

(22) Filed: **Sep. 23, 2005**

(30) **Foreign Application Priority Data**

Jun. 10, 2005 (TW) 94303458

(51) **LOC (8) Cl.** **14-02**

(52) **U.S. Cl.** **D14/375**

(58) **Field of Classification Search** D14/371-375,
D14/125-129; 248/917-924, 176.3, 291.1;
341/12; 345/104, 156, 168, 173, 901-905;
348/180, 184, 325, 739; 349/1, 2, 11, 62;
361/681

See application file for complete search history.

(56) **References Cited**

U.S. PATENT DOCUMENTS

D476,005 S * 6/2003 Peng et al. D14/375

D483,368 S * 12/2003 Olson et al. D14/375
D489,721 S * 5/2004 Peng et al. D14/371
D496,046 S * 9/2004 Lo D14/375
D499,730 S * 12/2004 Yamashiro D14/375
2003/0141422 A1 * 7/2003 Lee et al. 248/176.3
2004/0155166 A1 * 8/2004 Kim 248/291.1
2005/0041379 A1 * 2/2005 Jang 361/681

* cited by examiner

Primary Examiner—Freda S. Nunn

(74) *Attorney, Agent, or Firm*—Wei Te Chung

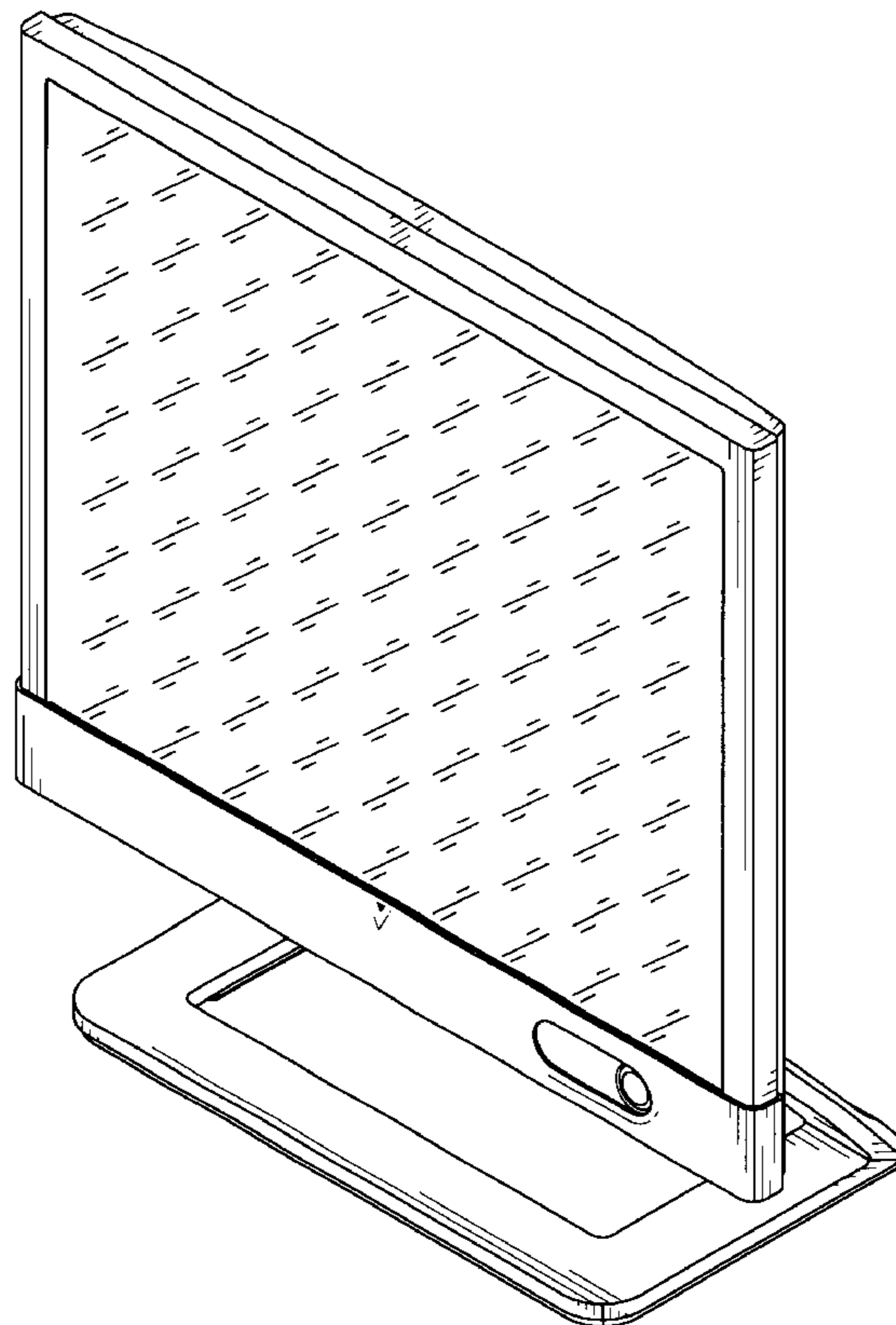
(57) **CLAIM**

The ornamental design for a LCD monitor, as shown and described.

DESCRIPTION

FIG. 1 is a front, top, right-side perspective view of a LCD monitor showing our new design;
FIG. 2 is a front elevational view thereof;
FIG. 3 is a rear elevational view thereof;
FIG. 4 is a left side elevational view thereof;
FIG. 5 is a right side elevational view thereof;
FIG. 6 is a top plan view thereof;
FIG. 7 is a bottom plan view thereof; and,
FIG. 8 is a rear, right side isometric view of the LCD monitor of FIG. 1 folded up.

1 Claim, 6 Drawing Sheets



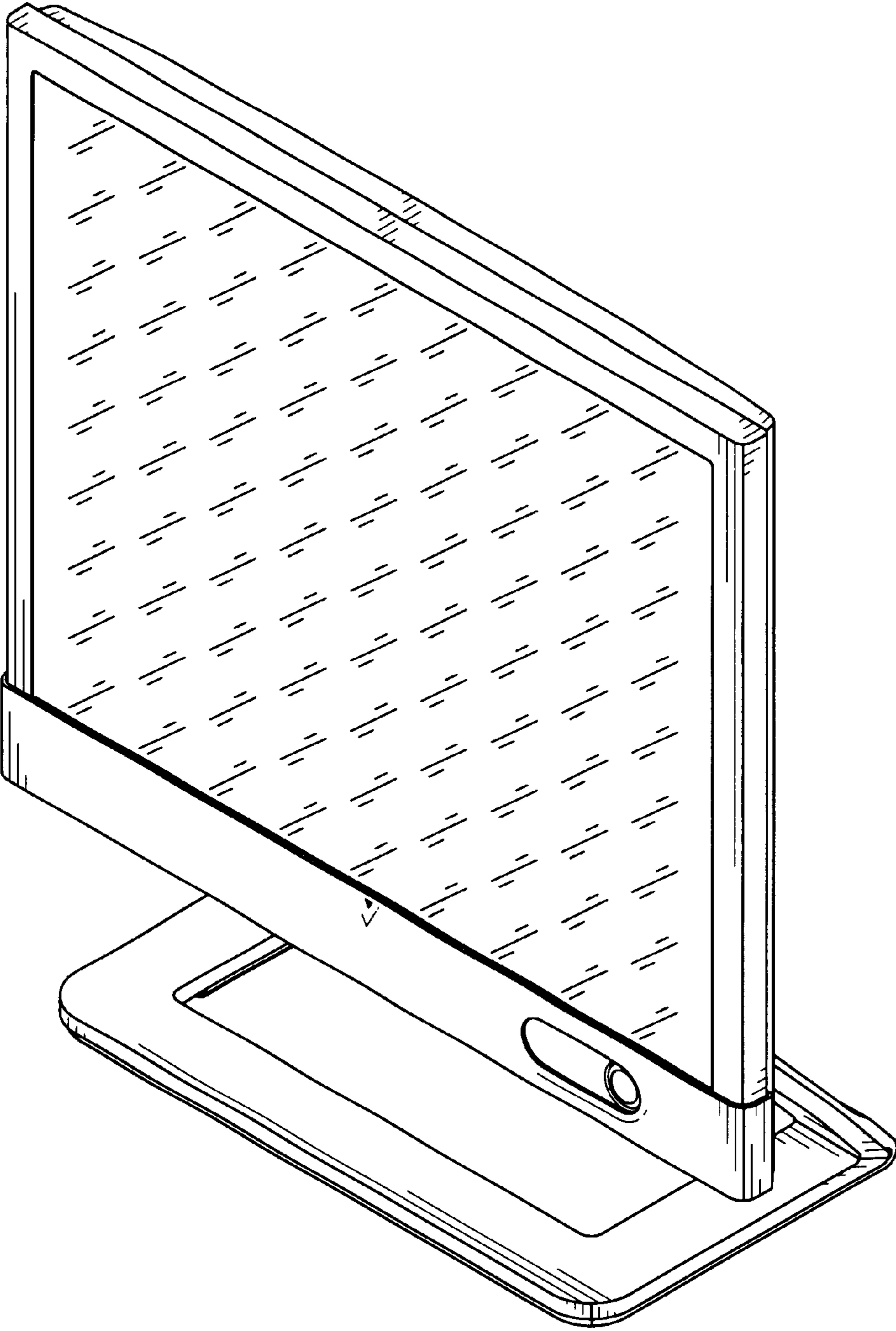


FIG. 1

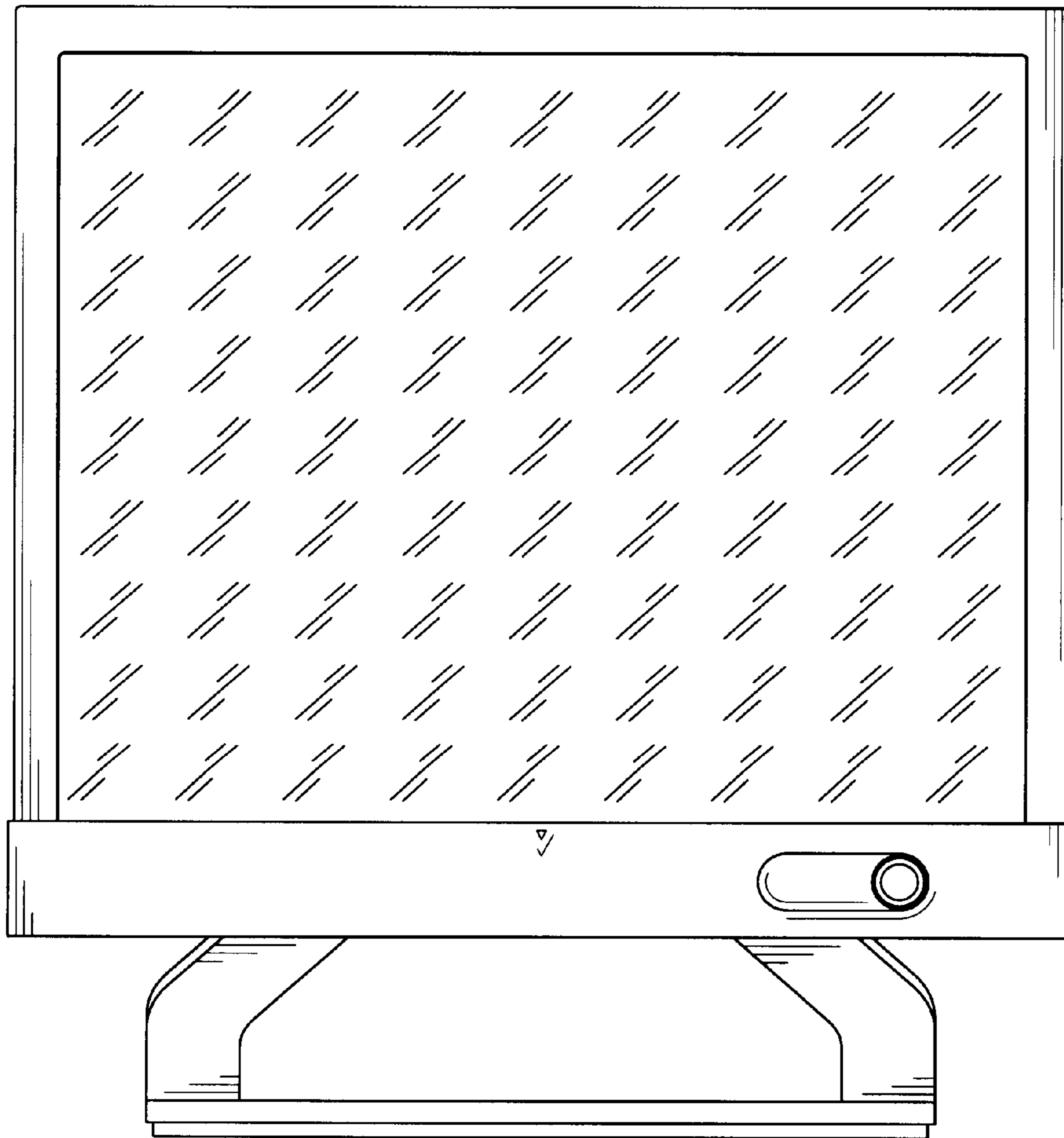


FIG. 2

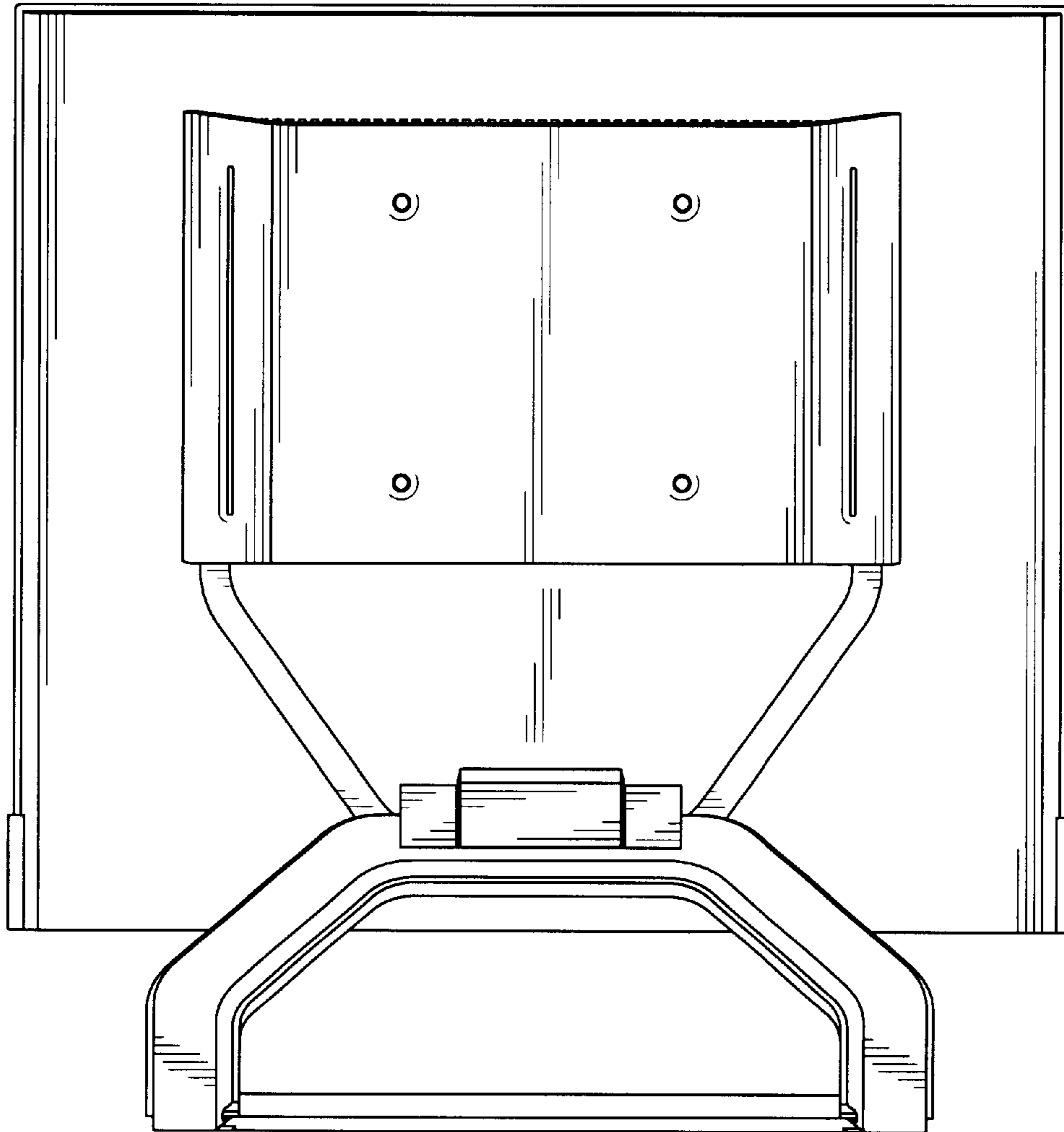


FIG. 3

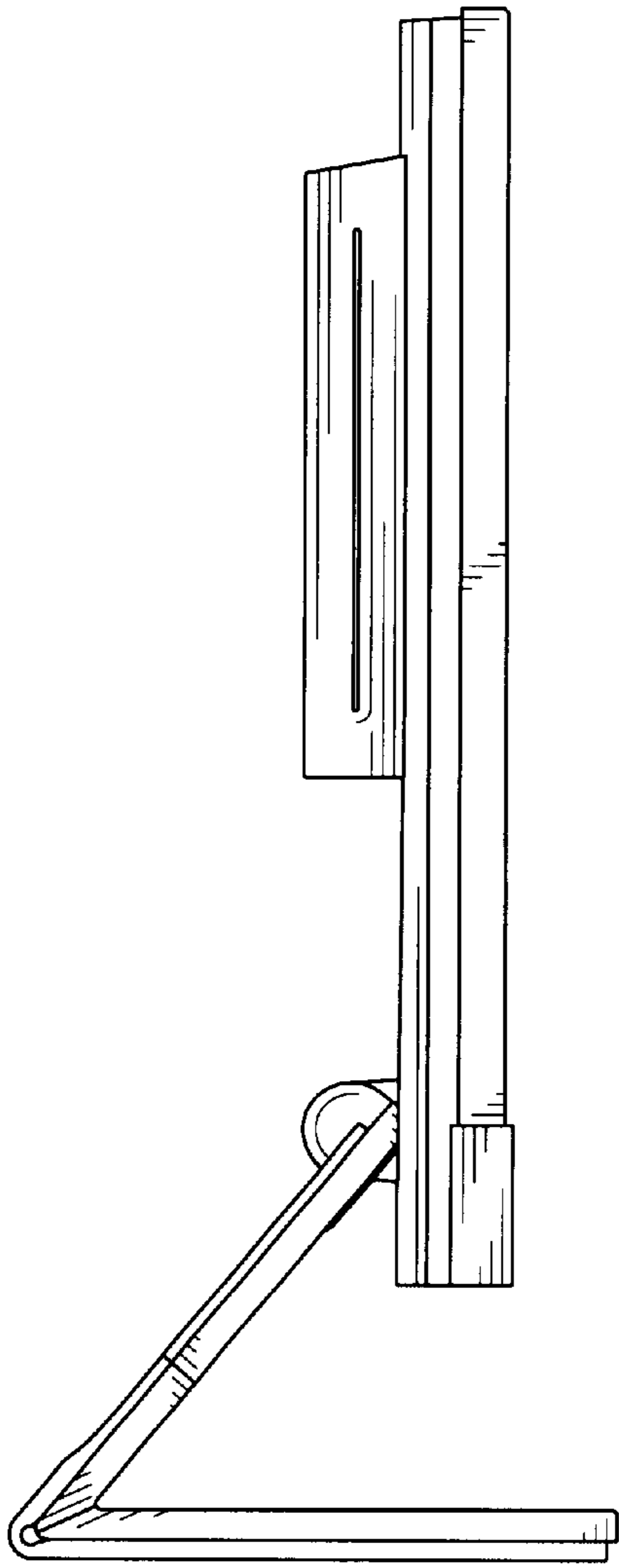


FIG. 4

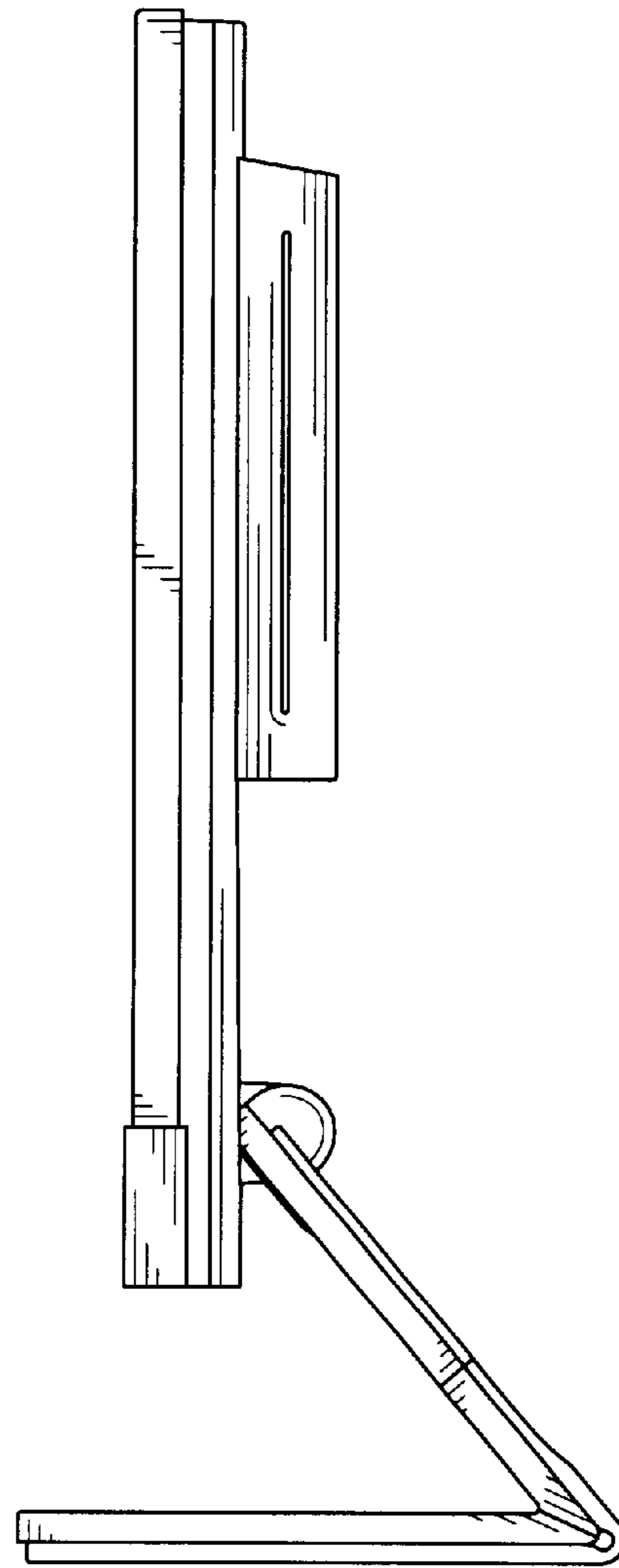


FIG. 5

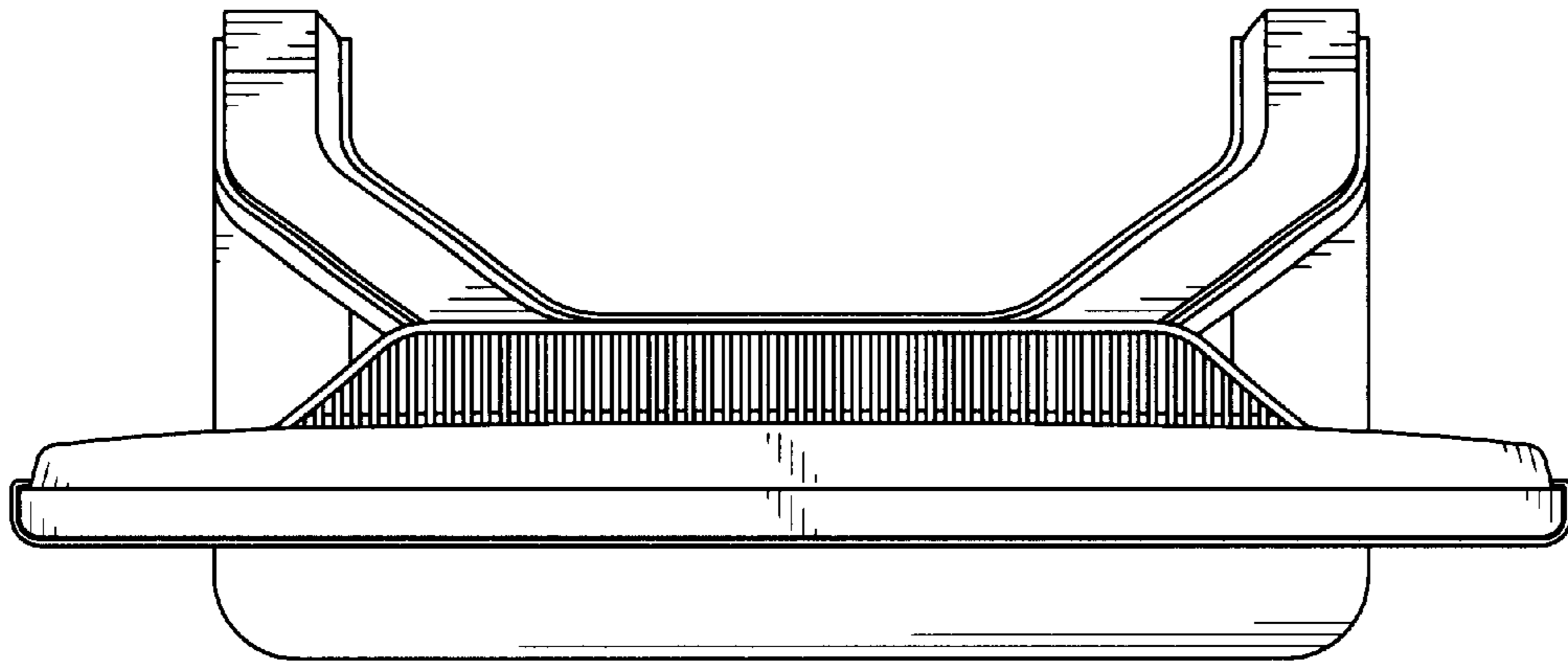


FIG. 6

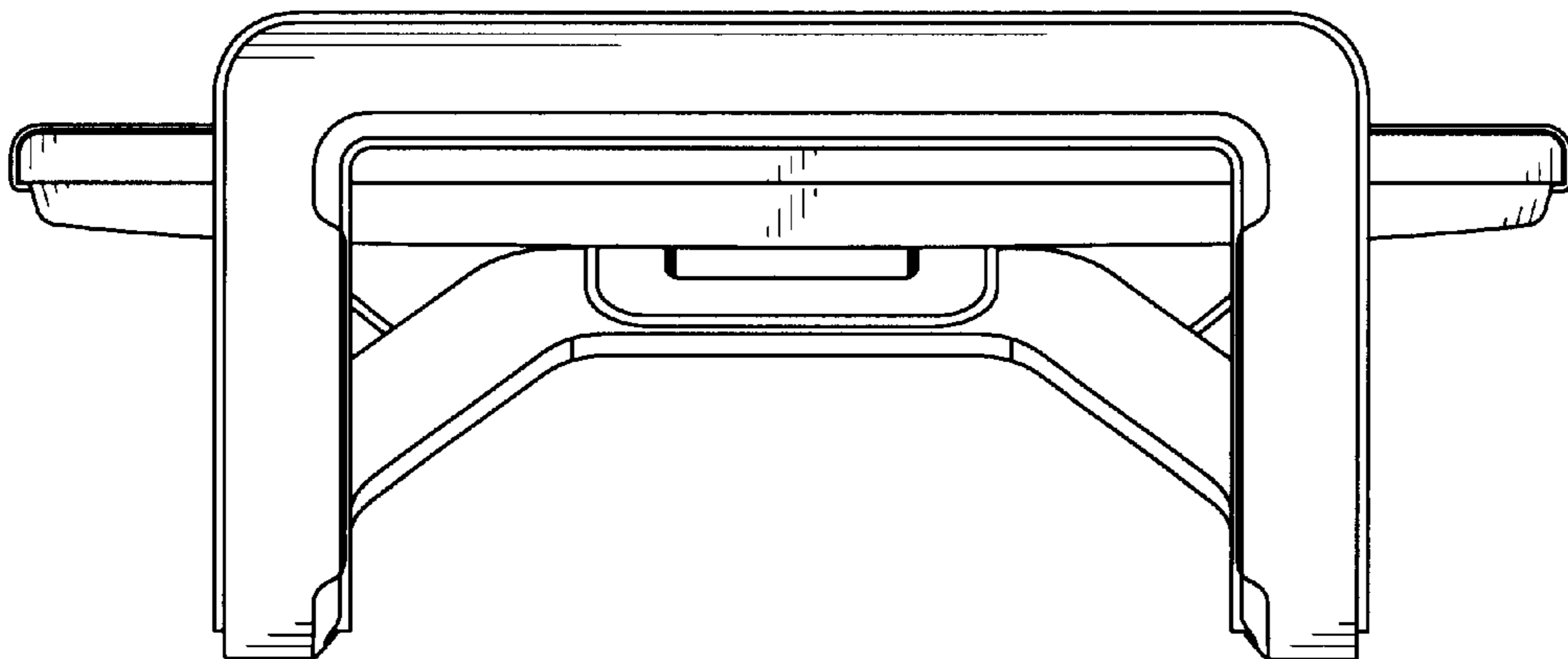


FIG. 7

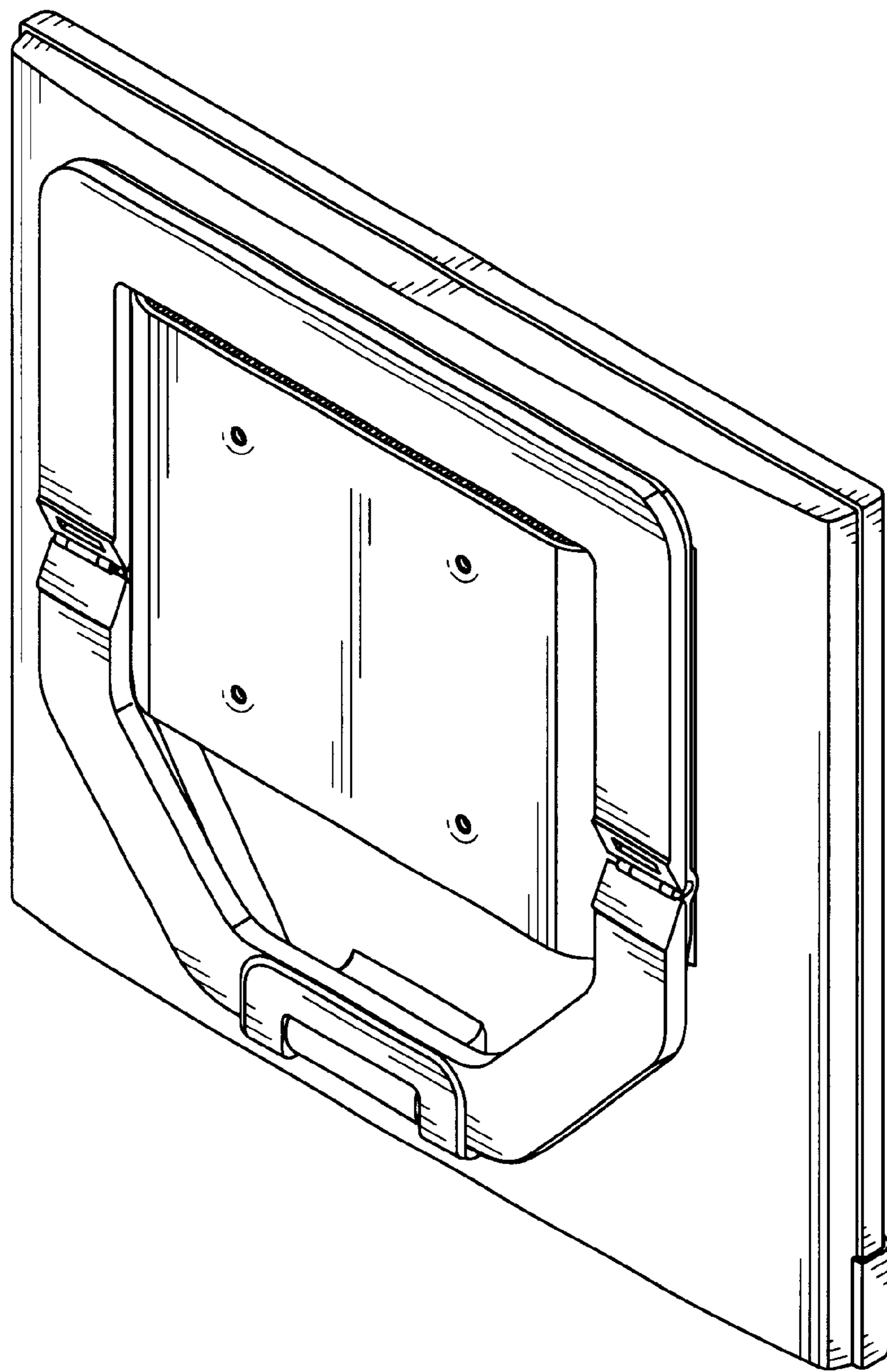


FIG. 8