



US00D529911S

(12) **United States Design Patent**
Yamashiro et al.

(10) **Patent No.:** **US D529,911 S**

(45) **Date of Patent:** **** Oct. 10, 2006**

(54) **LCD MONITOR**

D475,049 S * 5/2003 Duan D14/375
D478,080 S * 8/2003 Wu D14/374

(75) Inventors: **Chieko Yamashiro**, Osaka-fu (JP);
Kensho Tsuji, Nara-ken (JP)

(73) Assignee: **Sharp Kabushiki Kaisha**, Osaka (JP)

(**) Term: **14 Years**

(21) Appl. No.: **29/205,105**

(22) Filed: **May 10, 2004**

(51) **LOC (8) Cl.** **14-02**

(52) **U.S. Cl.** **D14/375**

(58) **Field of Classification Search** D14/371-376,
D14/125-129; 248/917-924; 341/12; 345/104,
345/156, 173, 174, 901-905; 348/180, 184,
348/325, 739; 349/1, 2, 11, 62

See application file for complete search history.

(56) **References Cited**

U.S. PATENT DOCUMENTS

D427,169 S	6/2000	Saeki et al.	
D439,224 S	3/2001	Kita	
D453,748 S	2/2002	Kita	
D456,370 S	4/2002	Kita	
D462,353 S	9/2002	Kita	
D469,432 S	1/2003	Tsuji	
D471,549 S	3/2003	Tsuji	
D472,897 S	* 4/2003	Park D14/375

OTHER PUBLICATIONS

U.S. Appl. No. 29/187,973, filed Aug. 2003, Kita.
U.S. Appl. No. 29/193,998, filed Nov. 2003, Kita.
U.S. Appl. No. 29/194,701, filed Dec. 2003, Kita.
U.S. Appl. No. 29/205,103, filed May 10, 2004, Yamashiro et al.

* cited by examiner

Primary Examiner—Freda S. Nunn

(74) *Attorney, Agent, or Firm*—Nixon & Vanderhye, PC

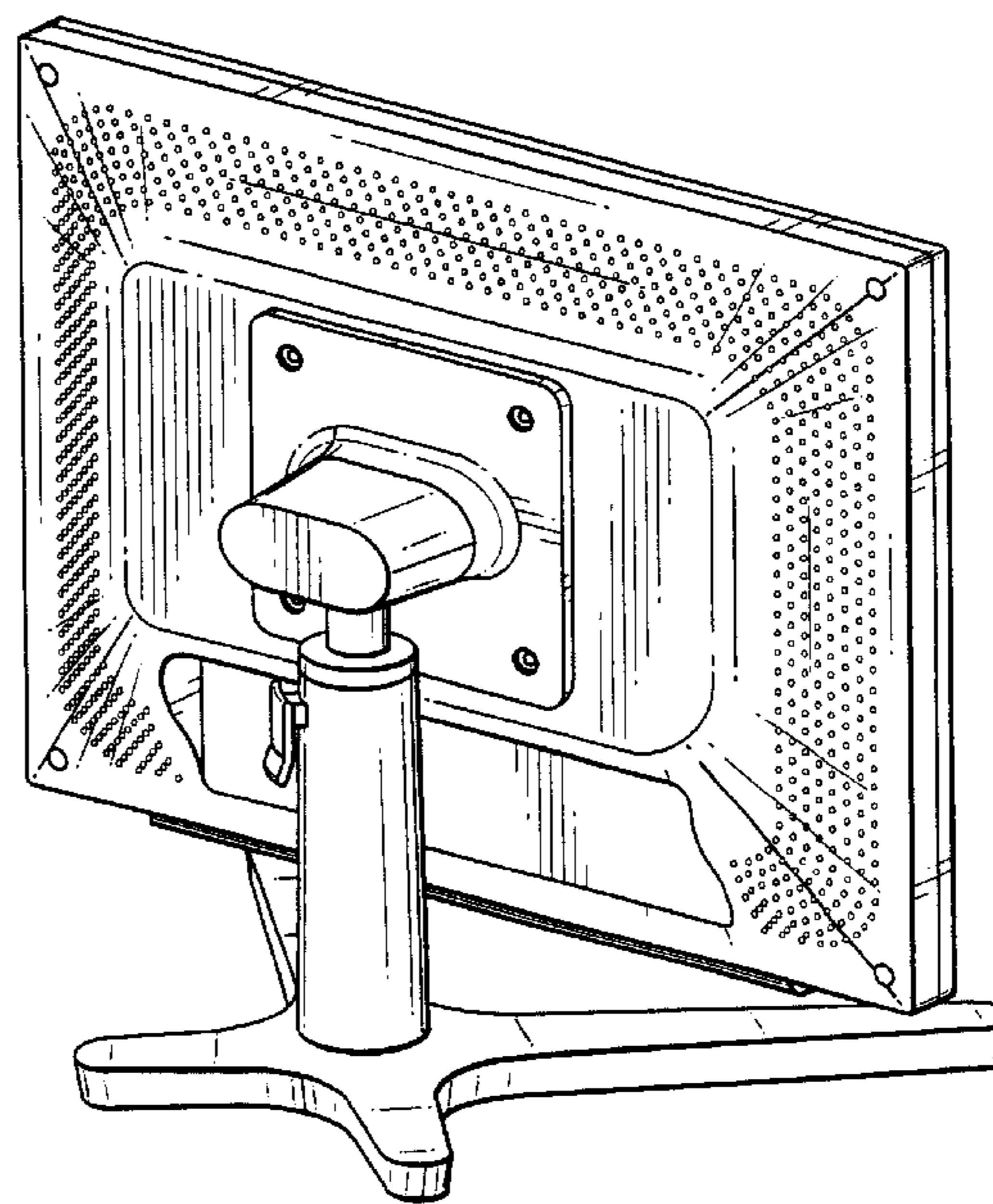
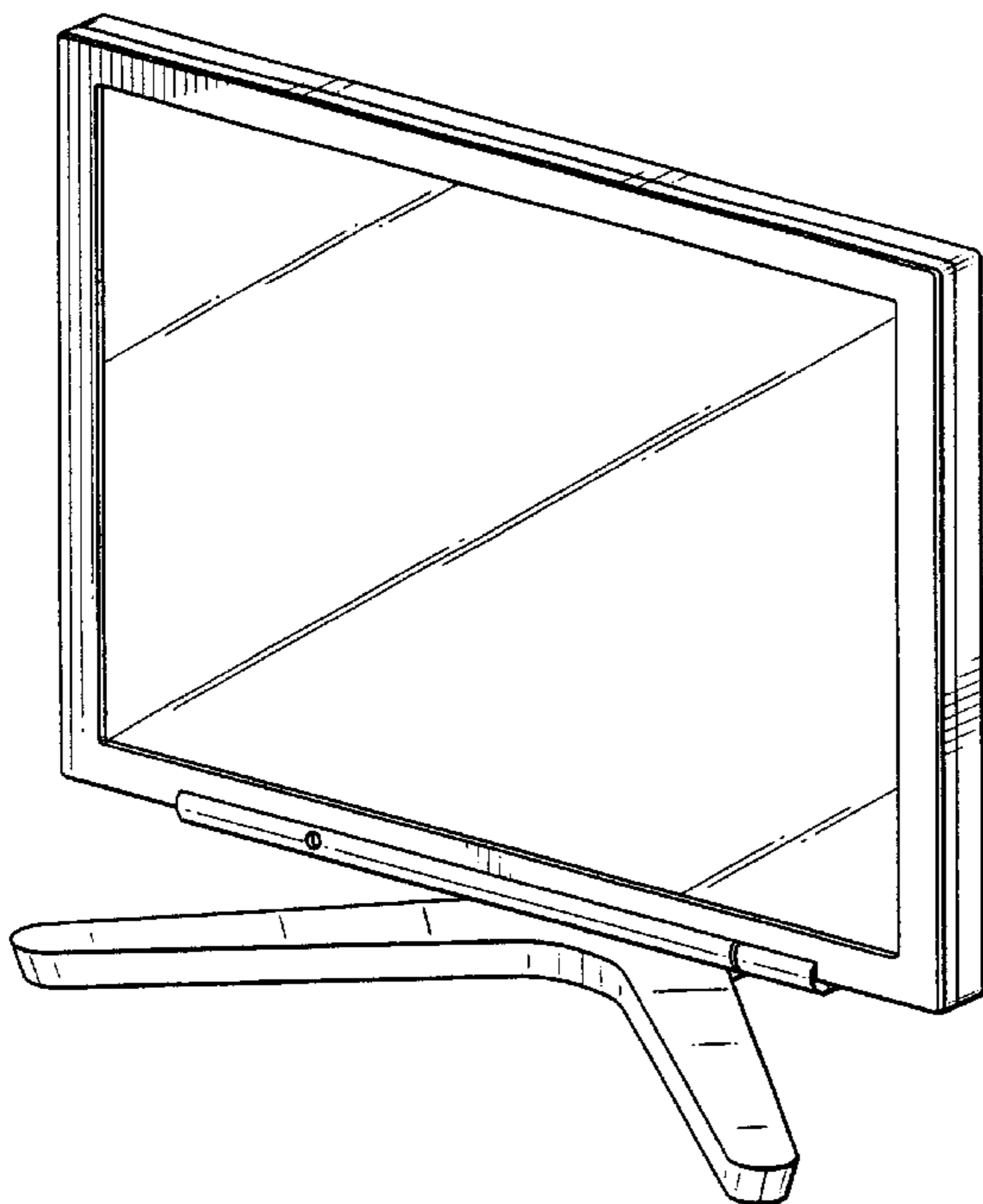
(57) **CLAIM**

The ornamental design for a LCD monitor, as shown and described.

DESCRIPTION

FIG. 1 is a top, front and right side perspective view of a LCD monitor according to our design;
FIG. 2 is a front elevational view thereof;
FIG. 3 is a rear elevational view thereof;
FIG. 4 is a left side elevational view thereof;
FIG. 5 is a right side elevational view thereof;
FIG. 6 is a top plan view thereof;
FIG. 7 is a bottom plan view thereof; and,
FIG. 8 is a top rear and left side perspective view thereof.

1 Claim, 7 Drawing Sheets



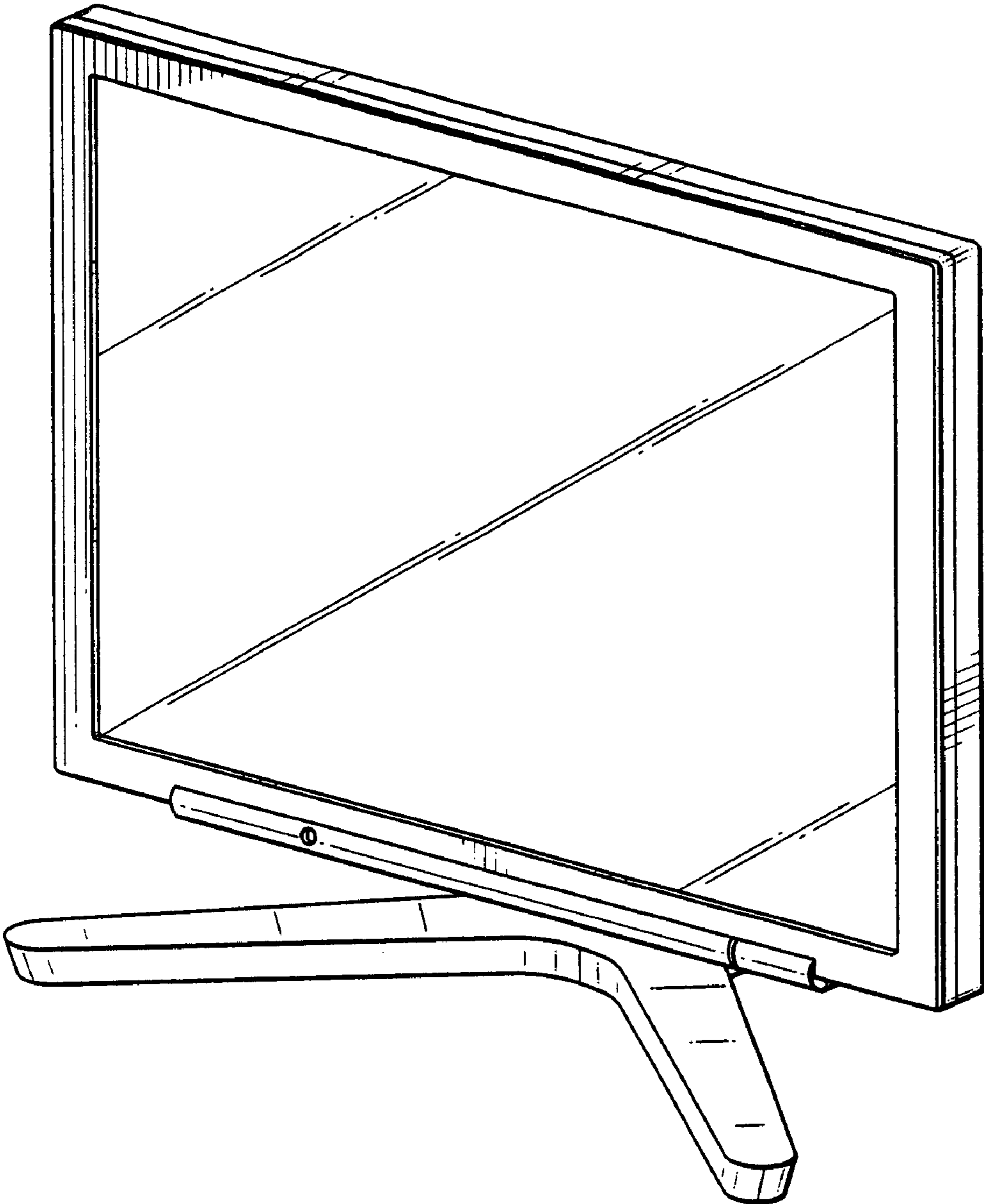


Fig. 1

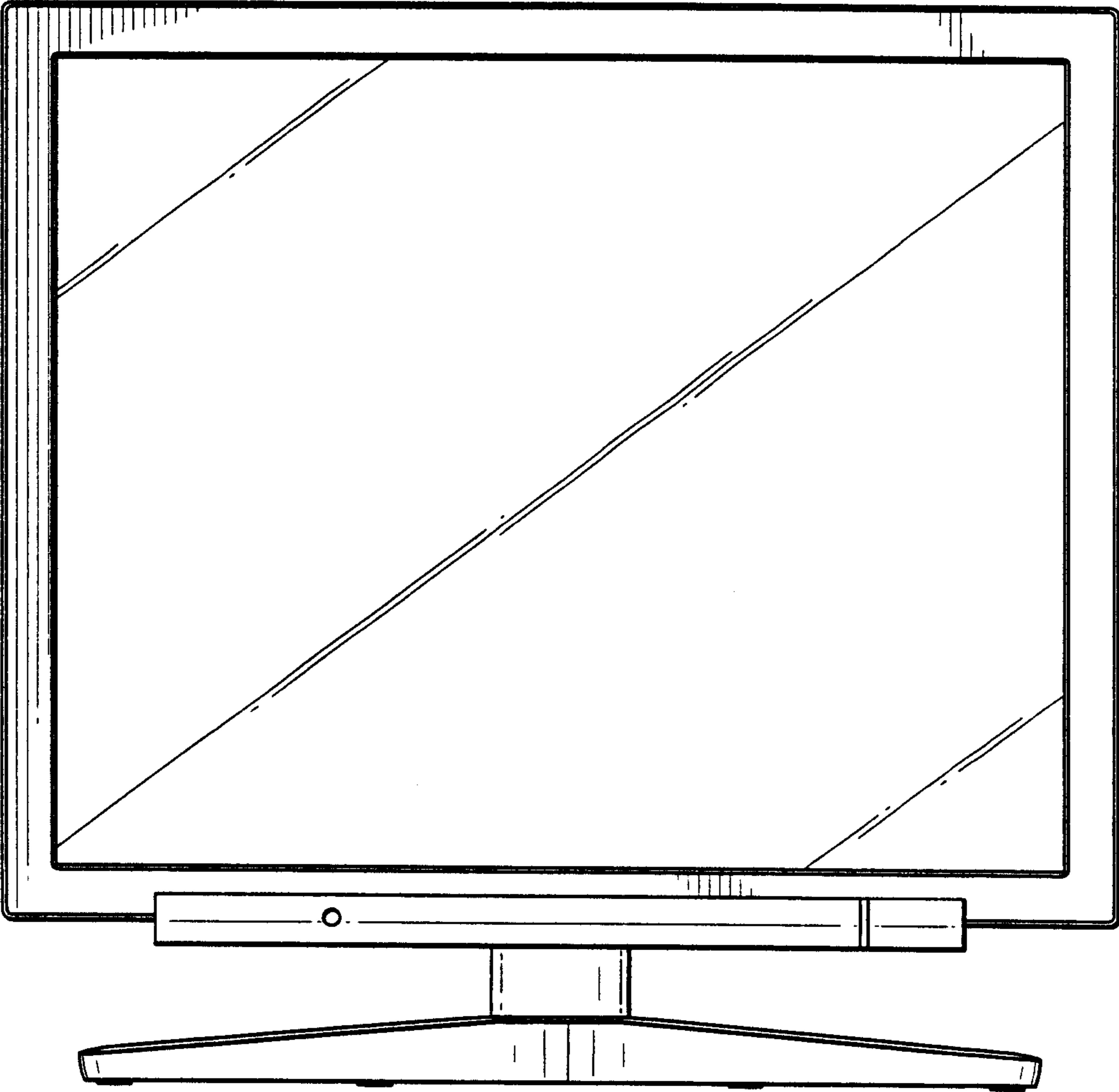


Fig. 2

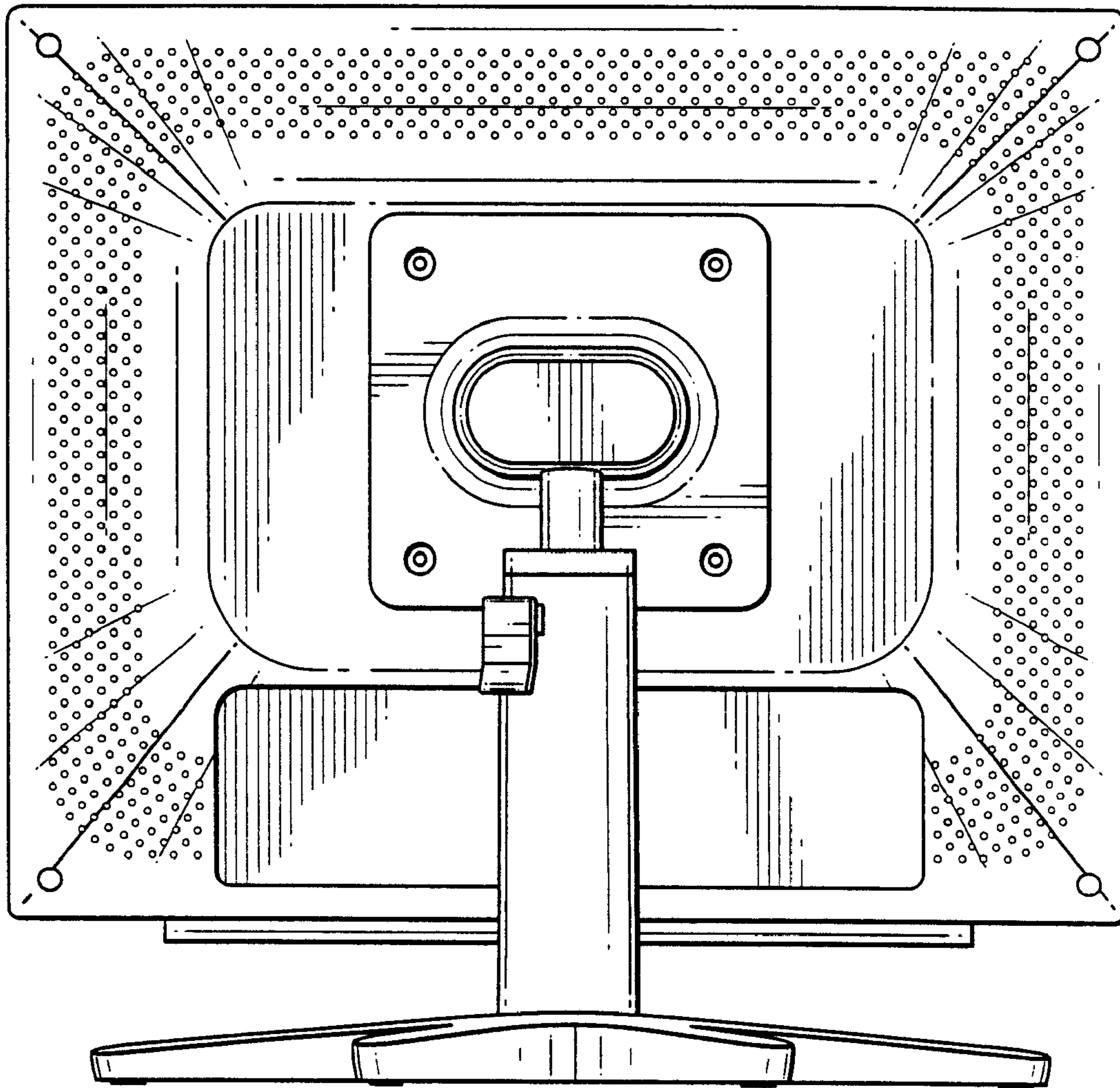


Fig. 3

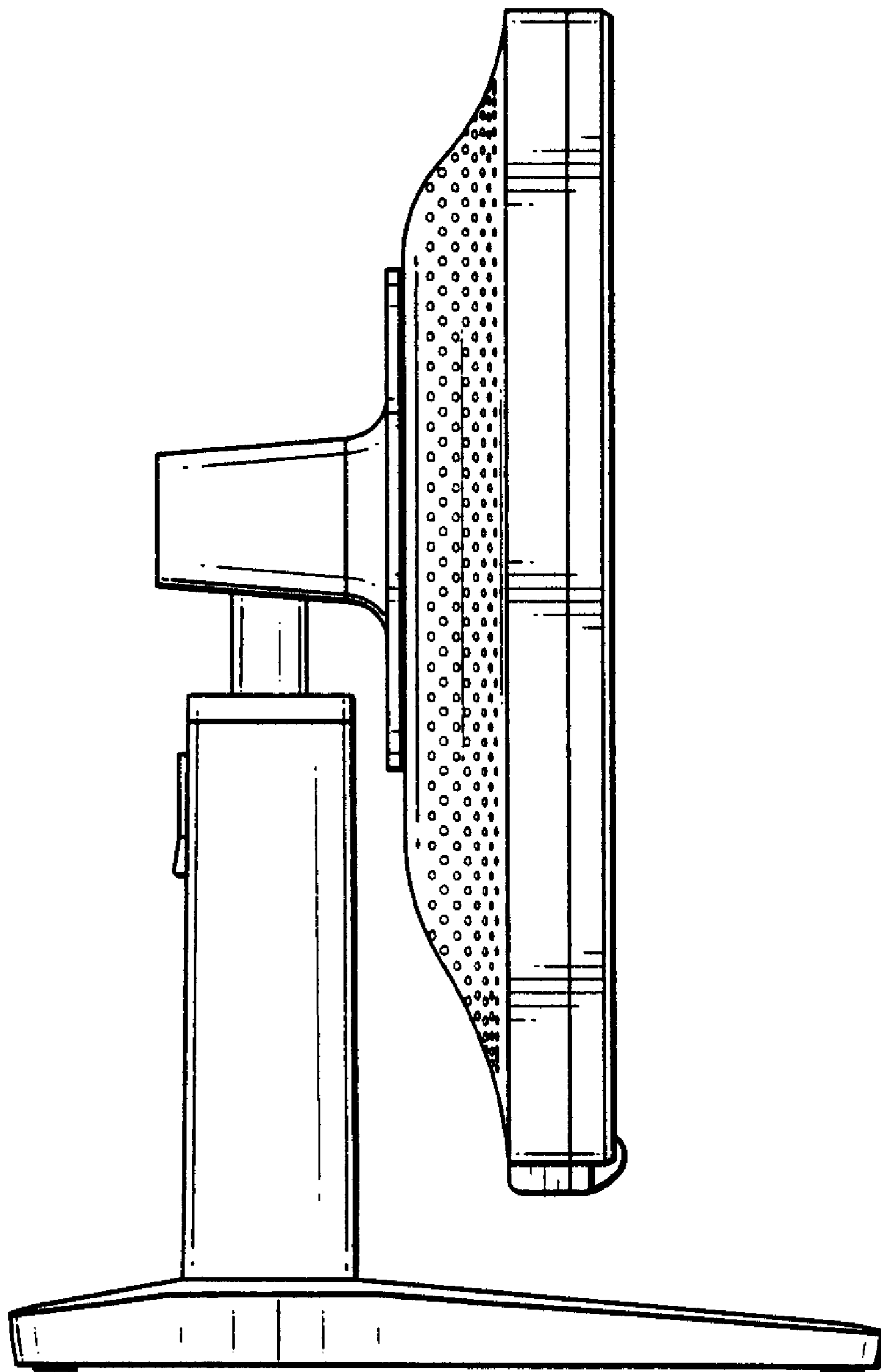


Fig. 4

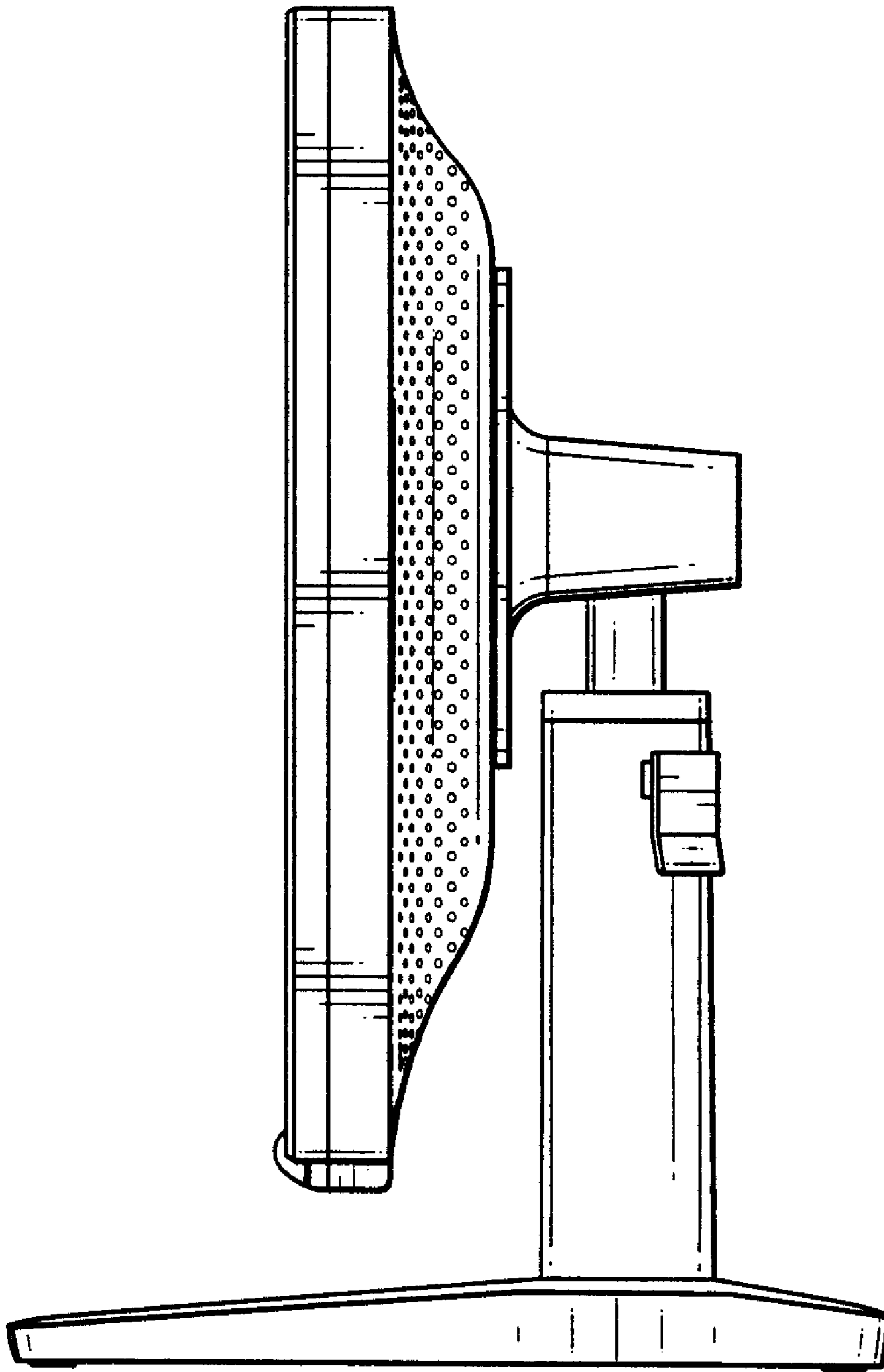


Fig. 5

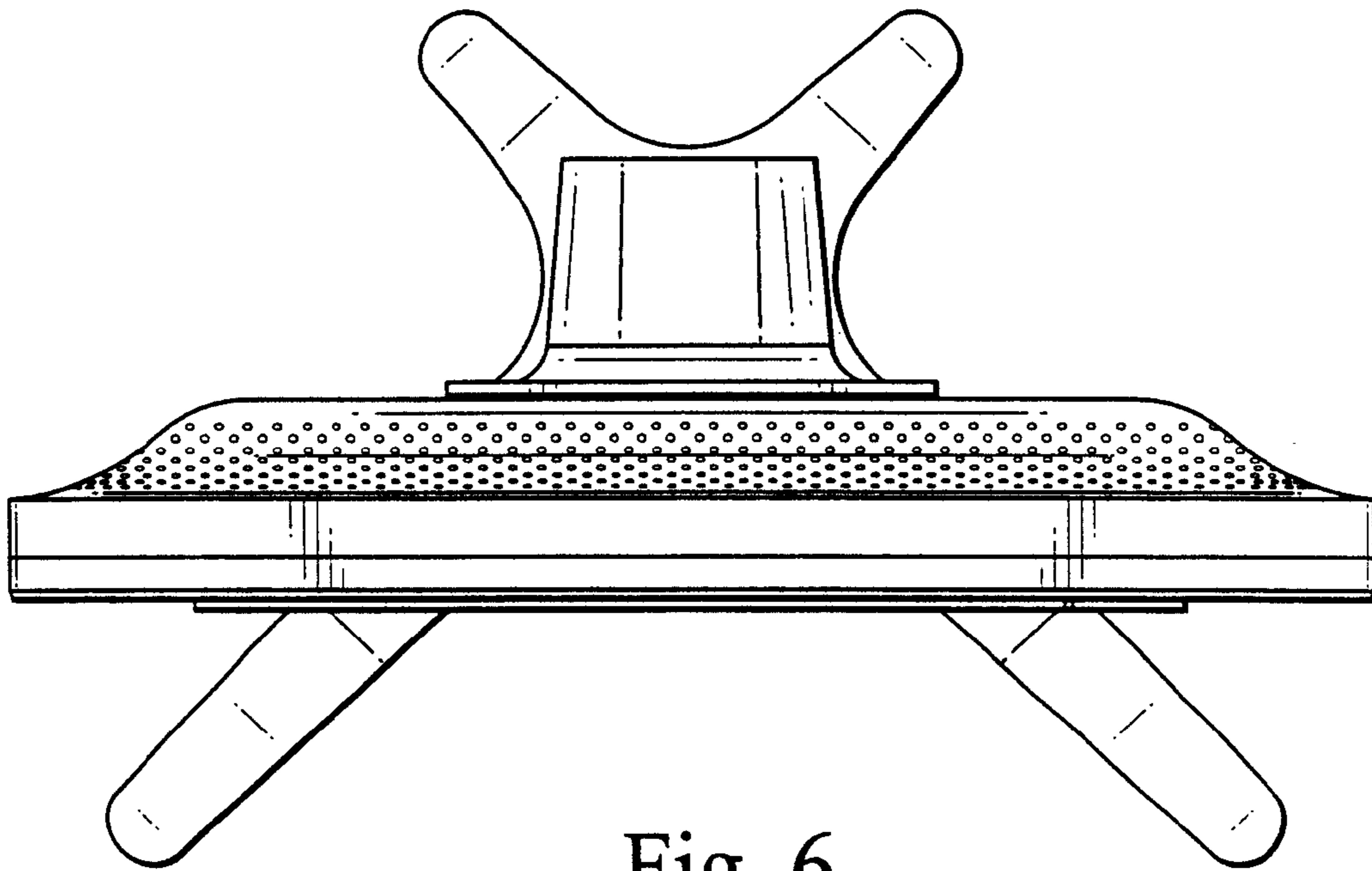


Fig. 6

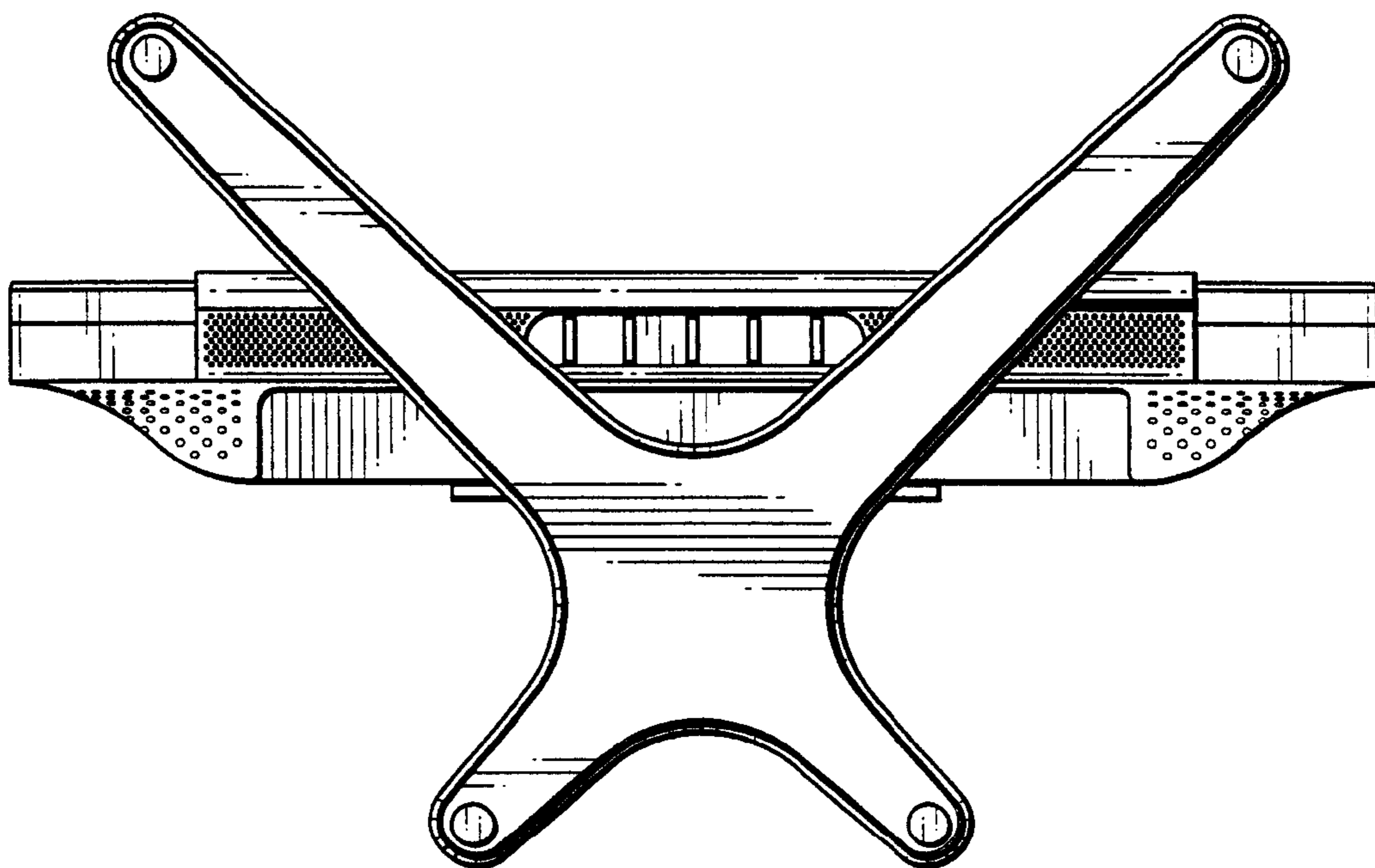


Fig. 7

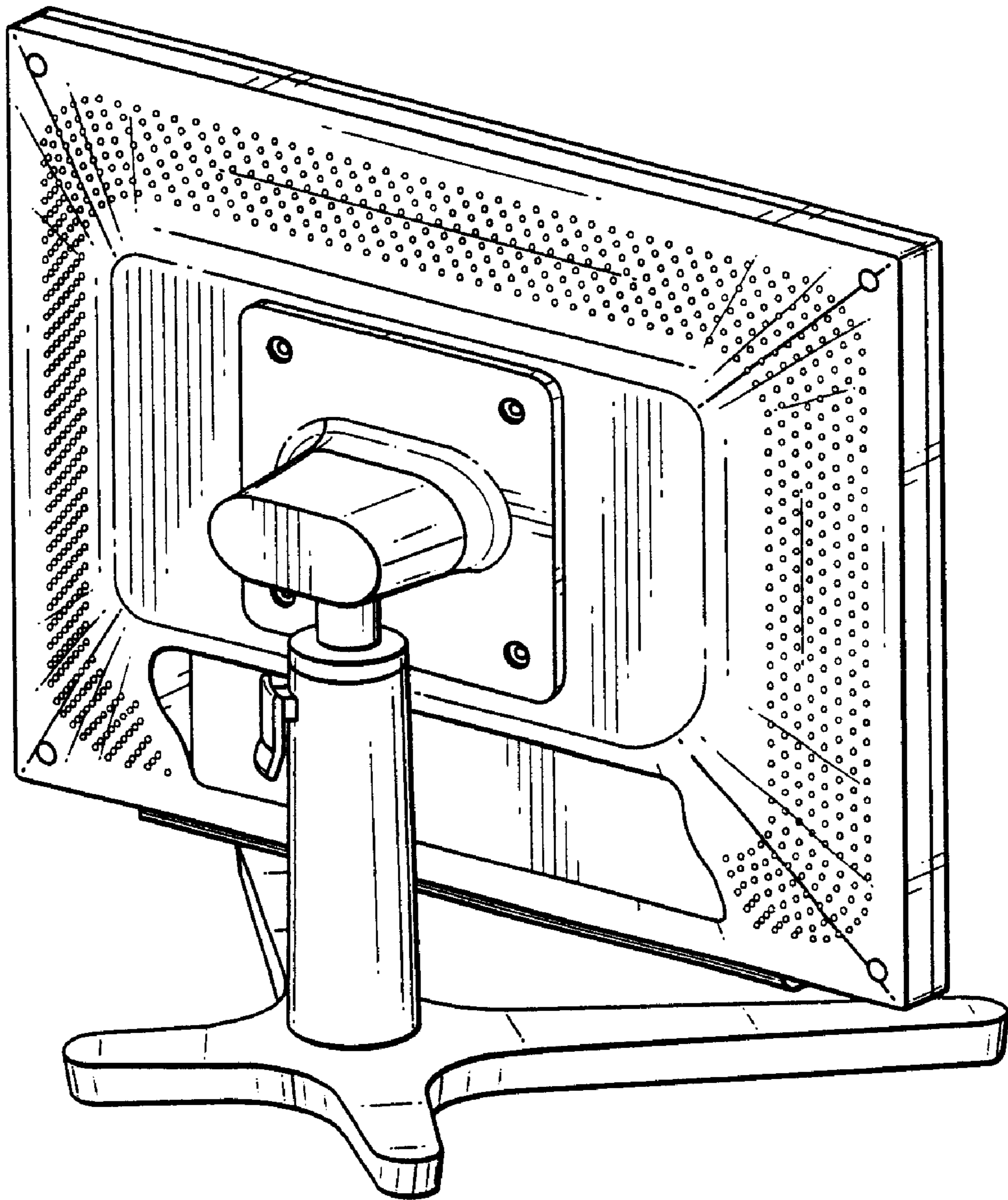


Fig. 8