

US00D529905S

(12) **United States Design Patent** (10) **Patent No.:** **US D529,905 S**  
**Richter** (45) **Date of Patent:** **\*\* Oct. 10, 2006**

(54) **INSTRUMENT HOLDER**

2005/0279902 A1 \* 12/2005 Richter ..... 248/316.4  
2006/0027724 A1 \* 2/2006 Richter ..... 248/429

(76) Inventor: **Harald Richter**, Höhenstrasse 32,  
75331 Engelbrand (DE)

**FOREIGN PATENT DOCUMENTS**

(\*\*) Term: **14 Years**

WO DM/060267 \* 6/2002  
WO DM/066974 \* 9/2005

(21) Appl. No.: **29/215,176**

**OTHER PUBLICATIONS**

(22) Filed: **Oct. 14, 2004**

“Universal Car Phone Holder”, 2 p including photo, [on-  
line], <URL:http://www.mobiles.co.uk/cgi/search.cgi>, site  
visited Mar. 31, 2006.\*

(51) **LOC (8) Cl.** ..... **14-03**

(52) **U.S. Cl.** ..... **D14/253; D14/447**

(58) **Field of Classification Search** ..... D14/146,  
D14/224, 251, 252, 253, 434, 447; D6/553;  
D8/350; D12/400, 415; D13/108, 177; D16/242;  
248/160, 205.8, 206.2, 274.1, 371, 917; 379/454,  
379/455; 455/575.1, 575.2, 575.6, 575.9,  
455/90.3

“Mr Handsfree Bluetooth Genius car kit”, 1 p including  
photo, [online], <http://www.hellodirect.com/catalog/pro-  
duct.jhtml?PRODID=10031&CATID=13072>, site visited  
Mar. 31, 2006.\*

(Continued)

See application file for complete search history.

*Primary Examiner*—Jeffrey D. Asch  
*Assistant Examiner*—Carla Jobe Wright  
(74) *Attorney, Agent, or Firm*—Klaus J. Bach

(56) **References Cited**

**U.S. PATENT DOCUMENTS**

- D346,275 S \* 4/1994 Hayasaka et al. .... D3/218
- 5,305,381 A \* 4/1994 Wang et al. .... 379/455
- 5,414,770 A \* 5/1995 Wang ..... 379/446
- D361,335 S \* 8/1995 Rudkiewicz et al. .... D14/253
- 5,457,745 A \* 10/1995 Wang ..... 379/454
- D379,463 S \* 5/1997 Richter ..... D14/253
- 5,659,612 A \* 8/1997 Wang ..... 379/446
- 5,694,468 A \* 12/1997 Hsu ..... 379/446
- D390,849 S \* 2/1998 Richter et al. .... D14/253
- D392,097 S \* 3/1998 Pottala et al. .... D3/218
- D392,646 S \* 3/1998 Takayasu et al. .... D14/253
- 5,839,919 A \* 11/1998 Chen ..... 439/529
- D406,591 S \* 3/1999 Richter ..... D14/253
- D411,542 S \* 6/1999 Richter ..... D14/253
- 6,035,036 A \* 3/2000 Eisenbraun et al. .... 379/446
- D431,250 S \* 9/2000 Richter ..... D14/447
- D432,121 S \* 10/2000 Chen ..... D14/253
- D456,024 S \* 4/2002 Richter ..... D14/434
- 6,366,672 B1 \* 4/2002 Tsay ..... 379/446
- D471,547 S \* 3/2003 Ruohonen ..... D14/253
- 2002/0159587 A1 \* 10/2002 Chang ..... 379/454
- 2002/0191782 A1 \* 12/2002 Beger et al. .... 379/454
- 2004/0254002 A1 \* 12/2004 Tsay ..... 455/575.9

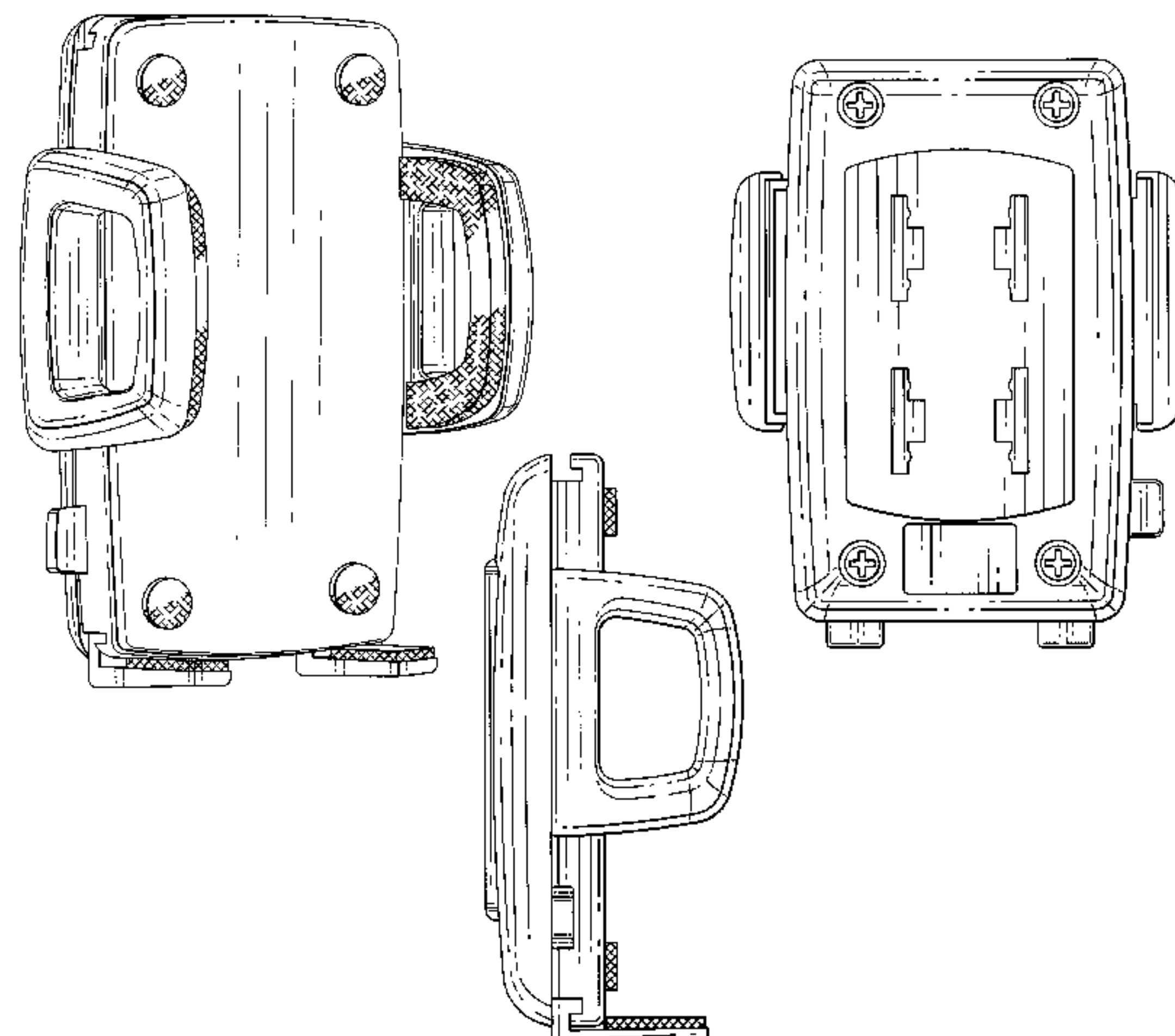
(57) **CLAIM**

The ornamental design for an instrument holder, as shown  
and described.

**DESCRIPTION**

FIG. 1 is a perspective view of an instrument holder;  
FIG. 2 is a top view of the instrument holder shown in FIG.  
1;  
FIG. 3 is a bottom view of the instrument holder shown in  
FIG. 1;  
FIG. 4 is a left side view of the instrument holder shown in  
FIG. 1; and,  
FIG. 5 is a right side view of the instrument holder shown  
in FIG. 1.  
The grid pattern—shown on the four circular protrusions,  
the upper surfaces of the feet, and the inner surfaces of the  
side loops in FIGS. 1, 2, 4, and 5—is continuous about those  
surfaces on which it is shown.

**1 Claim, 3 Drawing Sheets**



OTHER PUBLICATIONS

“Nokia Original CR-39 Universal Car Holder”, 1 p including photo, [online], <<http://www.mobiles.co.uk/cgi/search.cgi>>, site visited Mar. 31, 2006.\*

“Universal Air Vent Holder”, 1 p including photo, [online], <<http://www.mobiles.co.uk/cgi/search.cgi>>, site visited Mar. 31, 2006.\*

\* cited by examiner

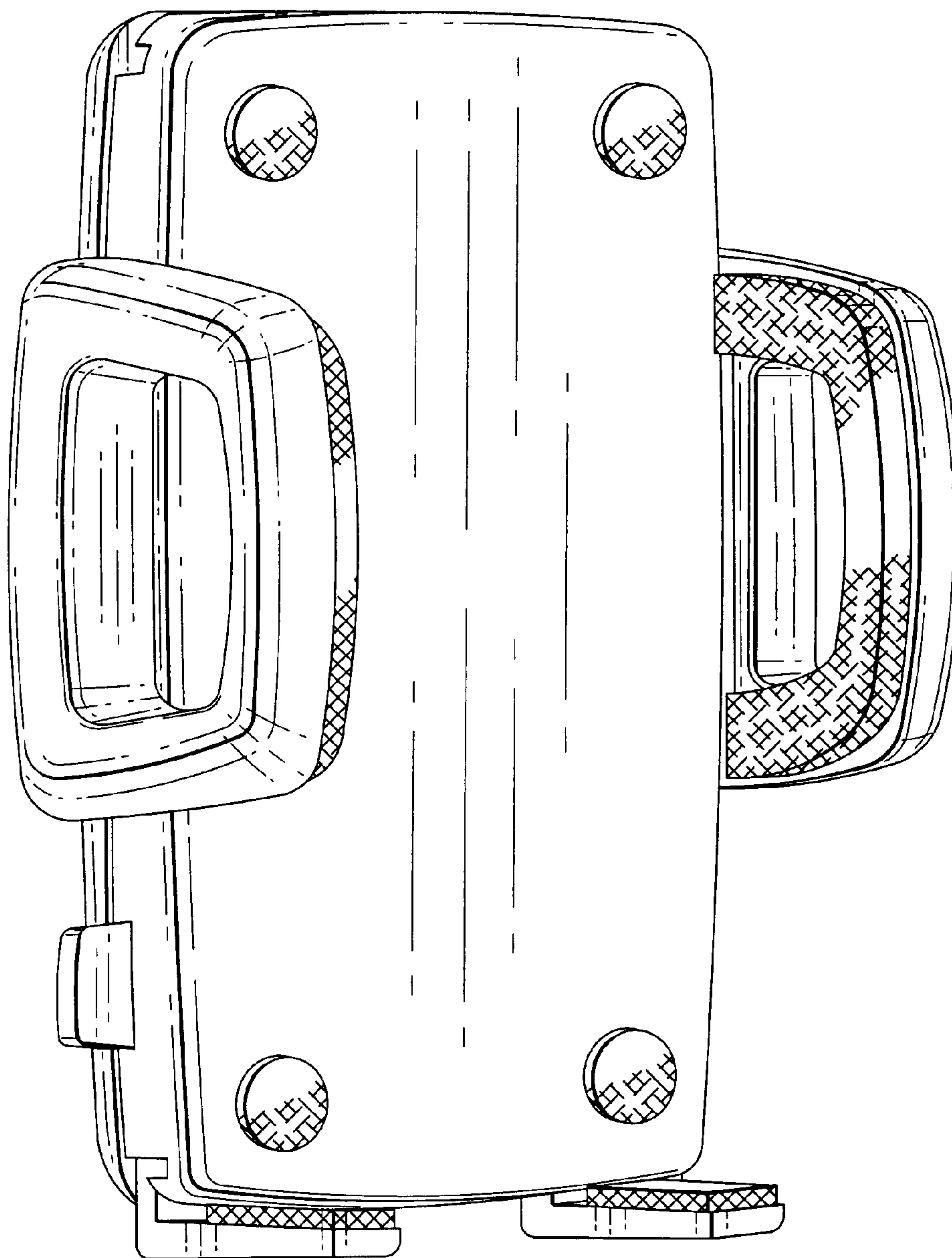


FIG. 1

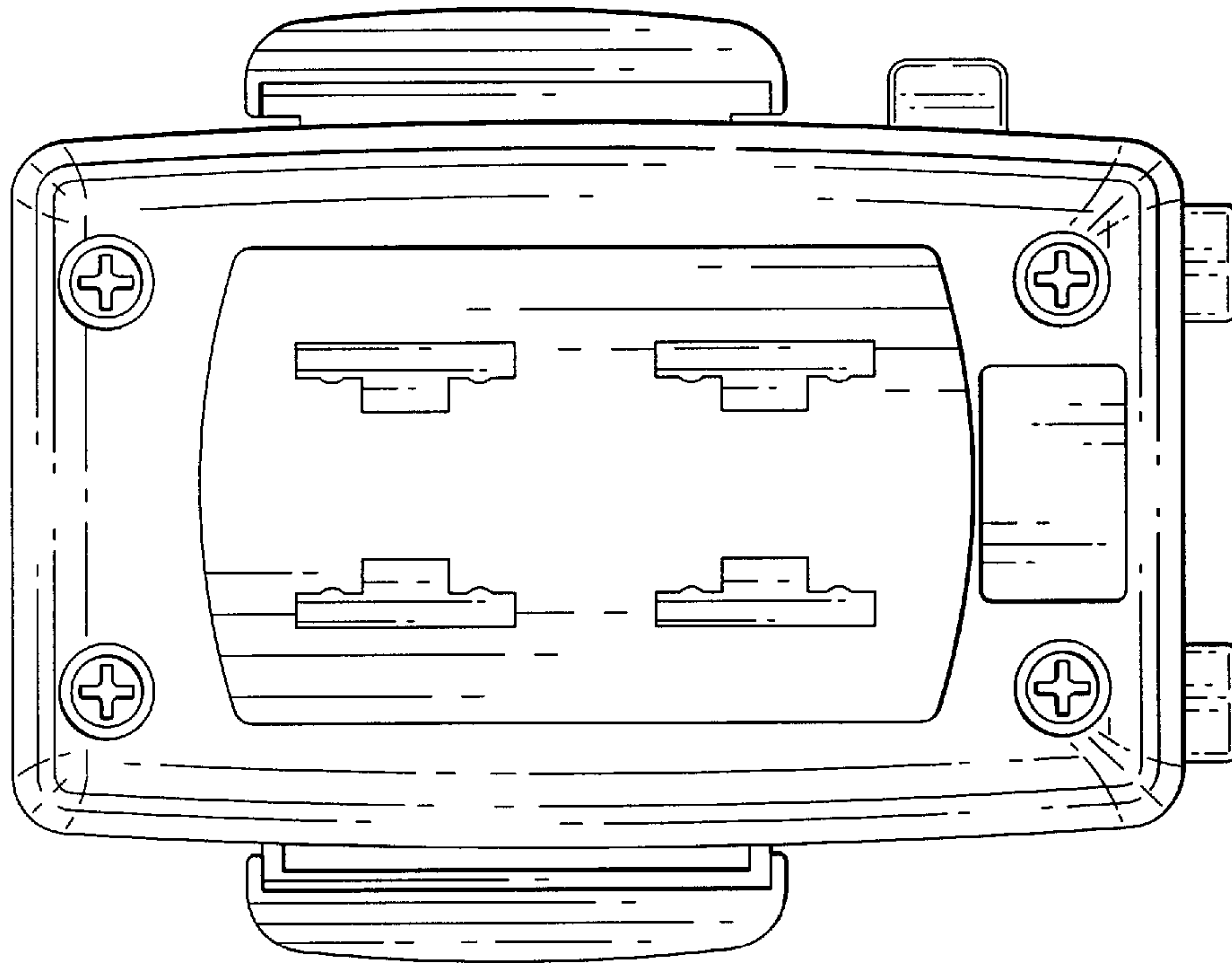


FIG. 3

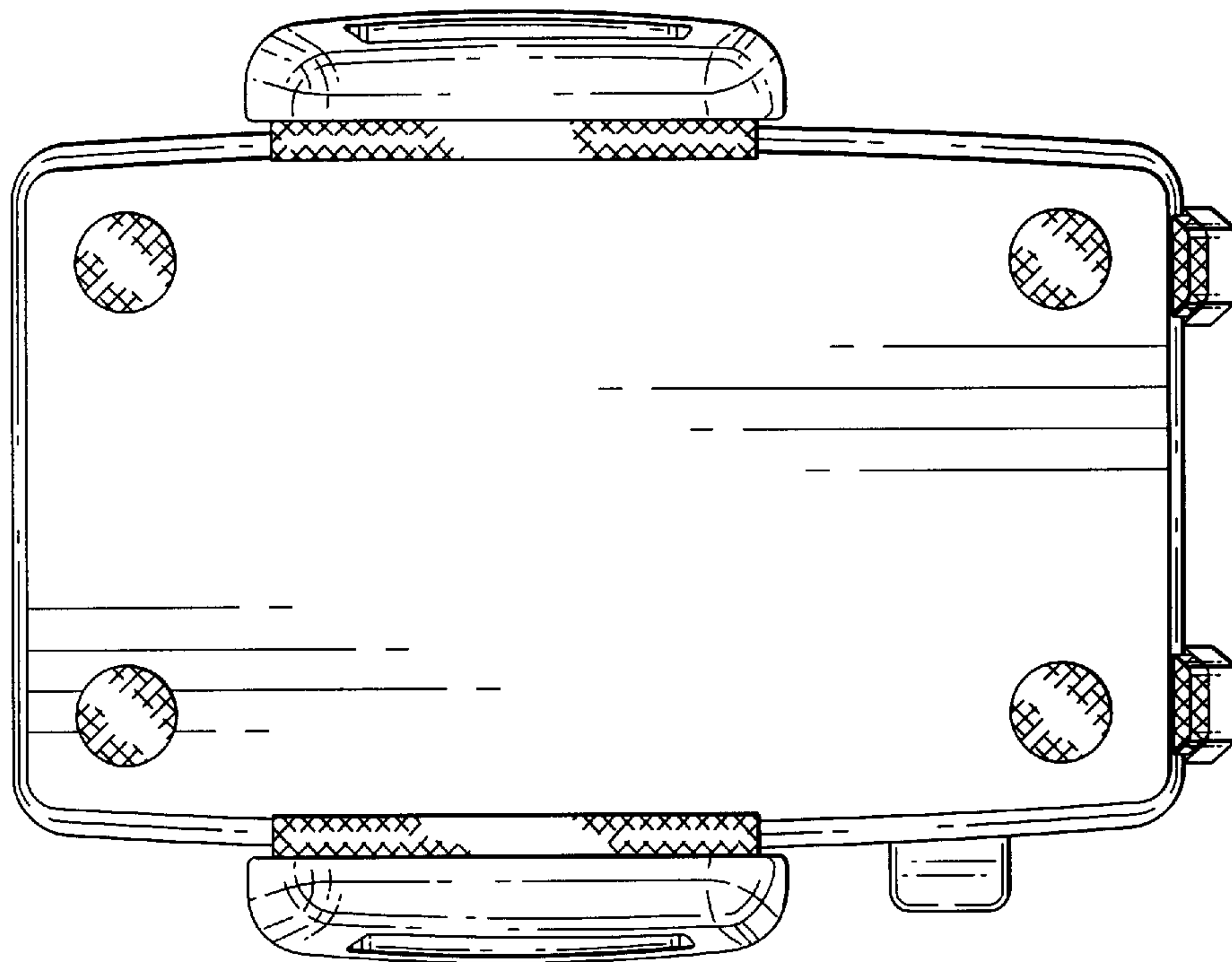


FIG. 2

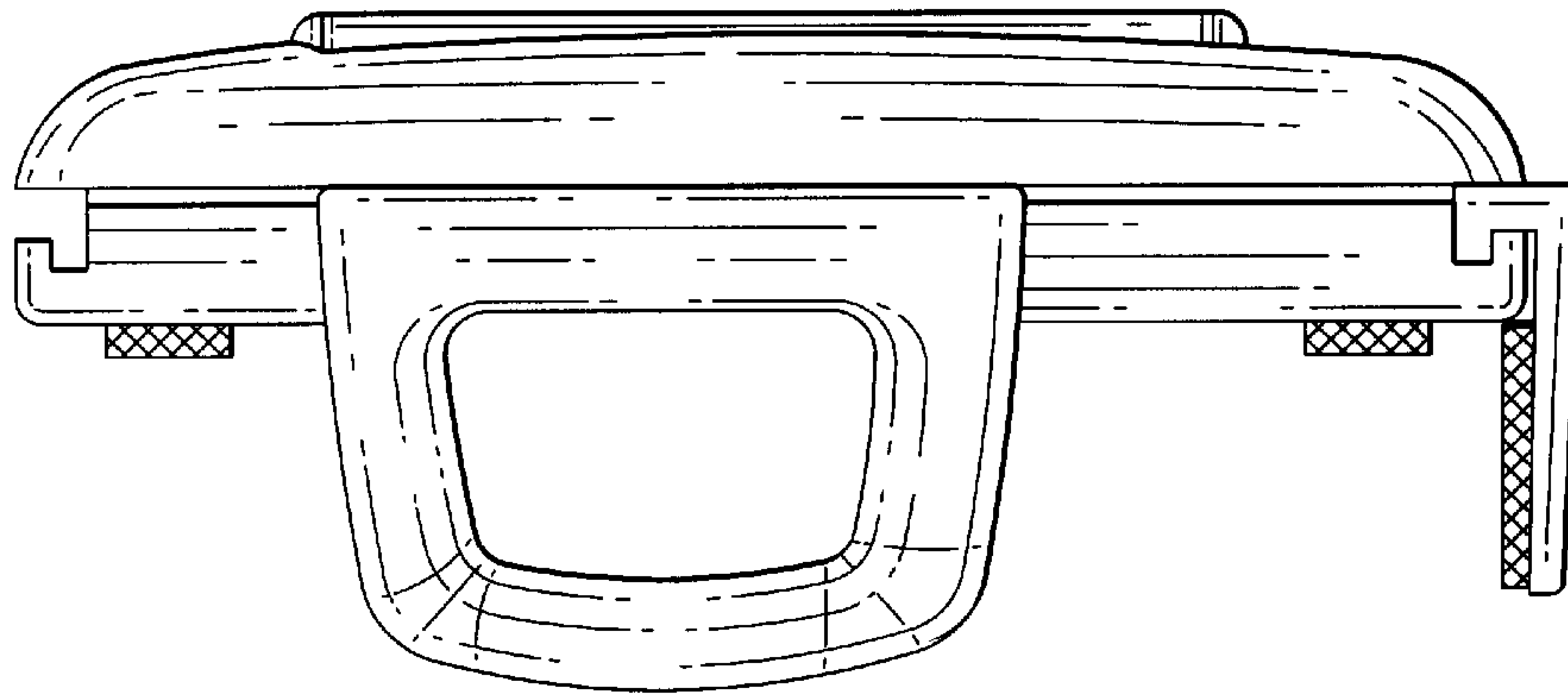


FIG. 5

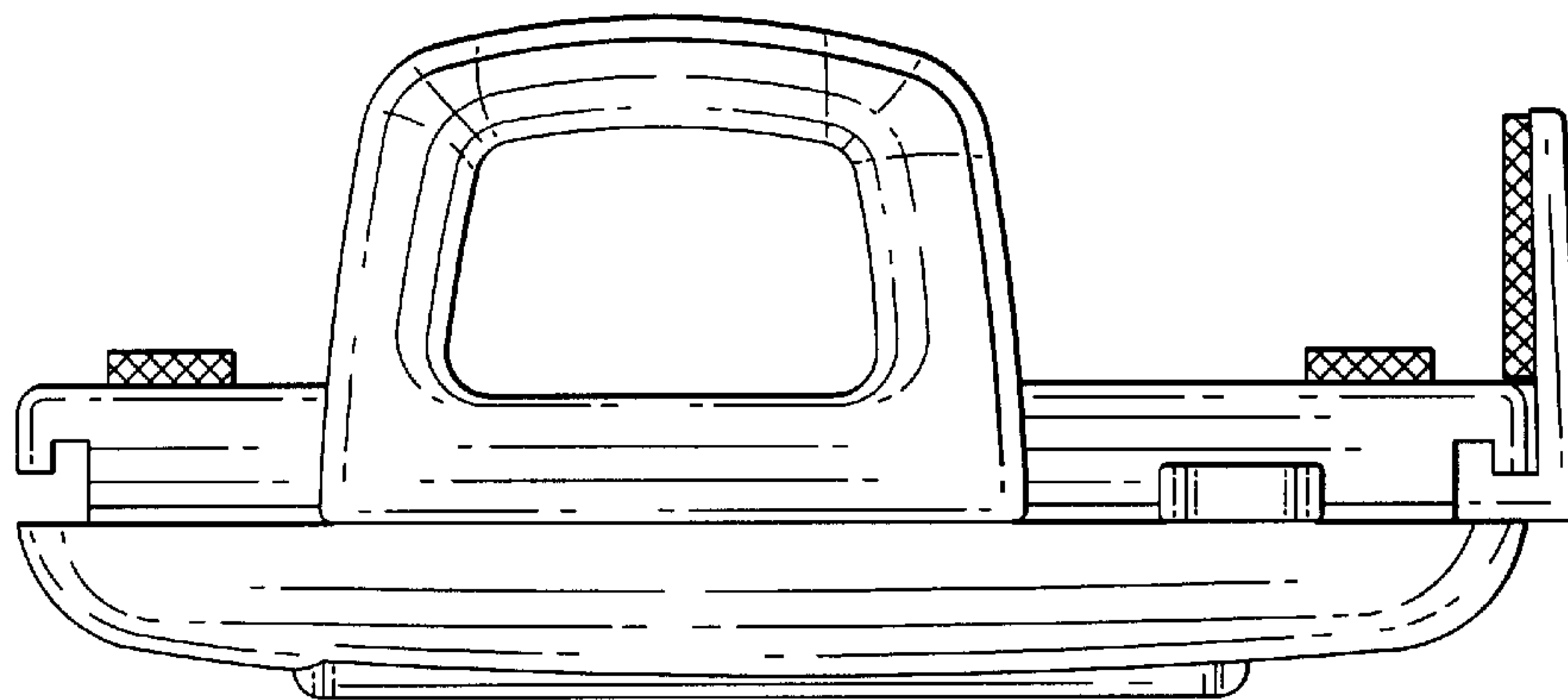


FIG. 4