



US00D529890S

(12) **United States Design Patent**
Park et al.

(10) **Patent No.:** **US D529,890 S**
(45) **Date of Patent:** **** Oct. 10, 2006**

(54) **VIDEO PHONE**

(75) Inventors: **Yun-Jin Park**, Seoul (KR);
Kyung-Hoon Lee, Seoul (KR);
Tai-Hyung Ju, Seoul (KR); **So-Yoon Jeon**, Guri-si (KR); **Sung-Jin Yum**, Anyang-si (KR)

(73) Assignee: **Samsung Electronics Co., Ltd.**, Suwon-si (KR)

(**) Term: **14 Years**

(21) Appl. No.: **29/238,715**

(22) Filed: **Sep. 21, 2005**

(30) **Foreign Application Priority Data**

Mar. 21, 2005 (KR) 30-2005-0009156

(51) **LOC (8) Cl.** **14-03**

(52) **U.S. Cl.** **D14/138**

(58) **Field of Classification Search** D14/137,
D14/138, 147-148, 247-248, 144, 496, 156,
D14/341-347, 130, 129; 379/433.01-433.13;
348/14.02, 14.01, 376; 455/575.4, 566, 575.1,
455/556.1, 556.2, 90.3; D21/329, 331, 333;
D16/208

See application file for complete search history.

(56) **References Cited**

U.S. PATENT DOCUMENTS

- 3,667,839 A * 6/1972 Artaud 353/27 R
- D241,751 S * 10/1976 Jensen et al. D14/130
- 4,856,045 A * 8/1989 Hoshina 348/14.01
- D303,257 S * 9/1989 Kawata et al. D14/126
- D308,367 S * 6/1990 Nakahara et al. D14/126
- D311,004 S * 10/1990 Iwama D14/129
- 4,972,496 A * 11/1990 Sklarew 382/187
- D312,628 S * 12/1990 Yokoi et al. D14/346
- D324,045 S * 2/1992 Iwama et al. D14/129
- 5,260,998 A * 11/1993 Takagi 379/433.13
- D345,548 S * 3/1994 Giebler et al. D14/339
- D359,487 S * 6/1995 Brown D14/138
- D376,351 S * 12/1996 Matsumoto D14/346

- D377,648 S * 1/1997 Young D14/136
- D397,335 S * 8/1998 Matsushita D14/126
- 5,867,795 A * 2/1999 Novis et al. 455/566
- D412,328 S * 7/1999 Sasago D14/135
- D421,001 S * 2/2000 Miyashita D14/496
- D439,229 S * 3/2001 Ishibashi D14/136

(Continued)

OTHER PUBLICATIONS

Samsung Serene telephone, announced Oct. 2005, [online], [retrieved on Jun. 5, 2006]. Retrieved from Internet ,URL: <http://www.gsmarena.com>>.*

LG M6100 telephone, announced Jan. 2006, [online], [retrieved on Jun. 5, 2006]. Retrieved from Internet ,URL: <http://www.gsmarena.com>>.*

Pantech PG-3600V telephone, announced Feb. 2006, [online], [retrieved on Jun. 5, 2006]. Retrieved from Internet,URL: <http://www.gsmarena.com>>.*

Samsung D520 telephone, announced Feb. 2006, [online], [retrieved on Jun. 5, 2006]. Retrieved from Internet ,URL: <http://www.gsmarena.com>>.*

Motorola E680i telephone, announced Mar. 2005, [online], [retrieved on Jun. 5, 2006]. Retrieved from Internet ,URL: <http://www.gsmarena.com>>.*

Primary Examiner—Jeffrey Asch

(74) *Attorney, Agent, or Firm*—Staas & Halsey LLP

(57) **CLAIM**

The ornamental design for the video phone, as shown and described.

DESCRIPTION

FIG. 1 is a perspective view of the video phone showing our design;

FIG. 2 is a front view thereof;

FIG. 3 is a rear view thereof;

FIG. 4 is a left side view thereof;

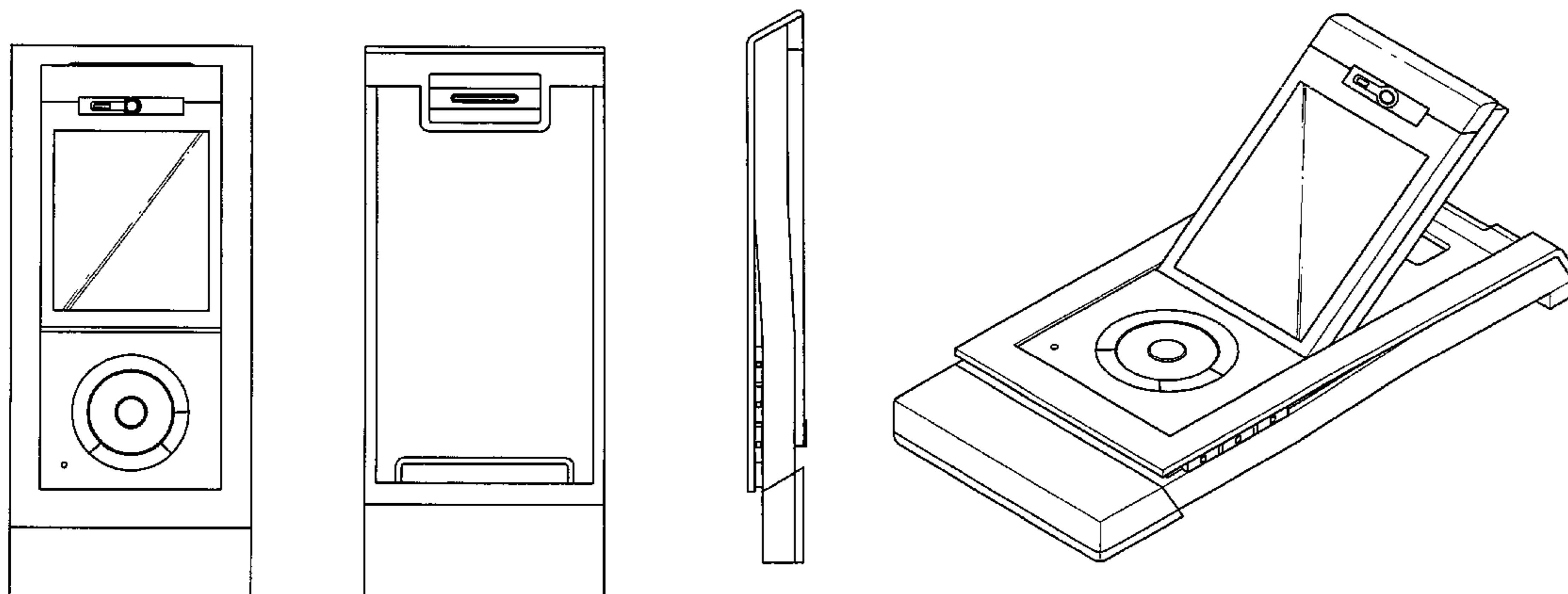
FIG. 5 is a right side view thereof;

FIG. 6 is a top plan view thereof;

FIG. 7 is a bottom plan view thereof; and,

FIG. 8 is a perspective, open view, thereof.

1 Claim, 4 Drawing Sheets



US D529,890 S

Page 2

U.S. PATENT DOCUMENTS

6,314,302 B1 *	11/2001	Haferbeck et al.	455/550.1	D489,052 S *	4/2004	Shiraki et al.	D14/156
D451,603 S *	12/2001	Bastyr et al.	D24/186	D502,703 S *	3/2005	Tsujimoto et al.	D14/346
D454,847 S *	3/2002	Busse	D14/132	D509,496 S *	9/2005	Petcavich	D14/138
D465,219 S *	11/2002	Tamaki et al.	D14/346	D514,121 S *	1/2006	Johnson	D14/496
D467,887 S *	12/2002	Azuma et al.	D14/136	D516,576 S *	3/2006	Ive et al.	D14/496
D467,890 S *	12/2002	Lai et al.	D14/138	D520,020 S *	5/2006	Senda et al.	D14/496
D469,109 S *	1/2003	Andre et al.	D14/496	2002/0102946 A1 *	8/2002	SanGiovanni	455/90
6,539,208 B1 *	3/2003	Mori	455/575.3	2004/0174452 A1 *	9/2004	Kinemura et al.	348/333.06
D475,985 S *	6/2003	Huang et al.	D14/130	2005/0255897 A1 *	11/2005	Lee et al.	455/575.4
D488,165 S *	4/2004	Harel et al.	D14/496				

* cited by examiner

FIG. 1

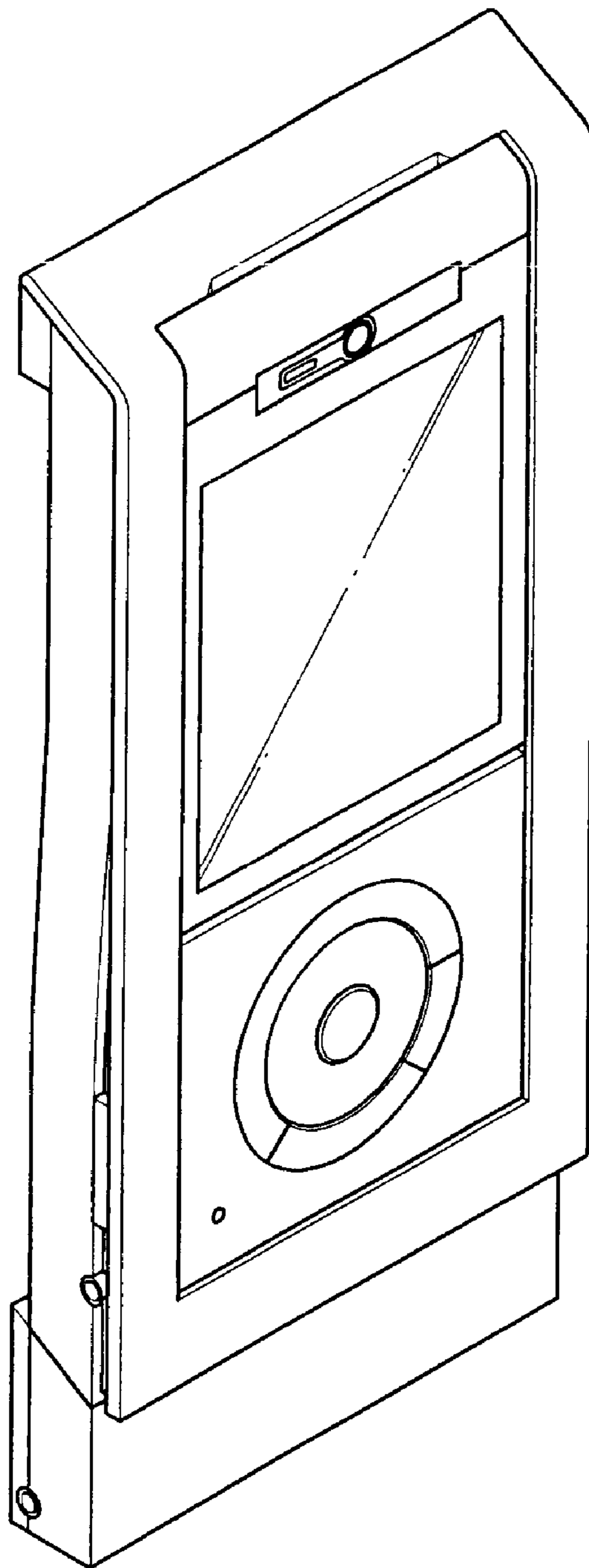


FIG. 2

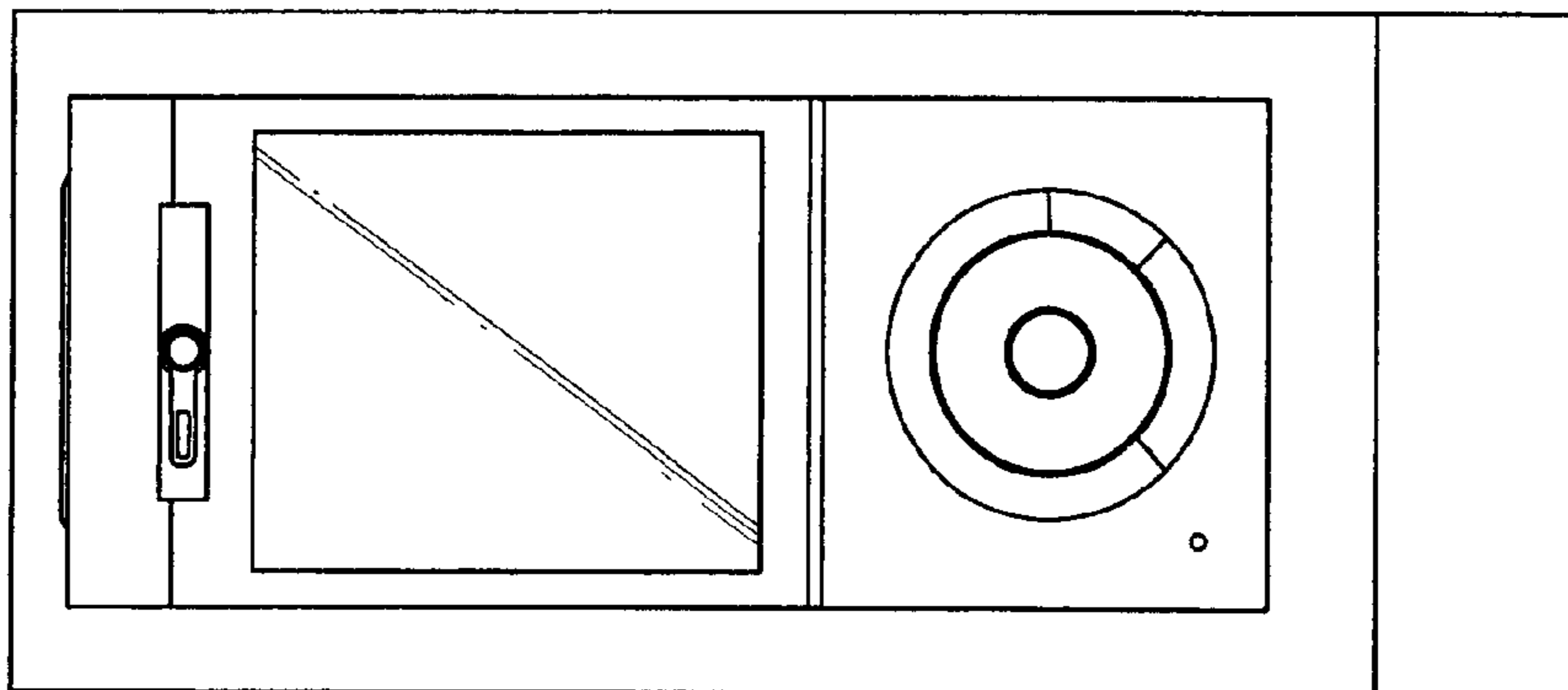


FIG. 3

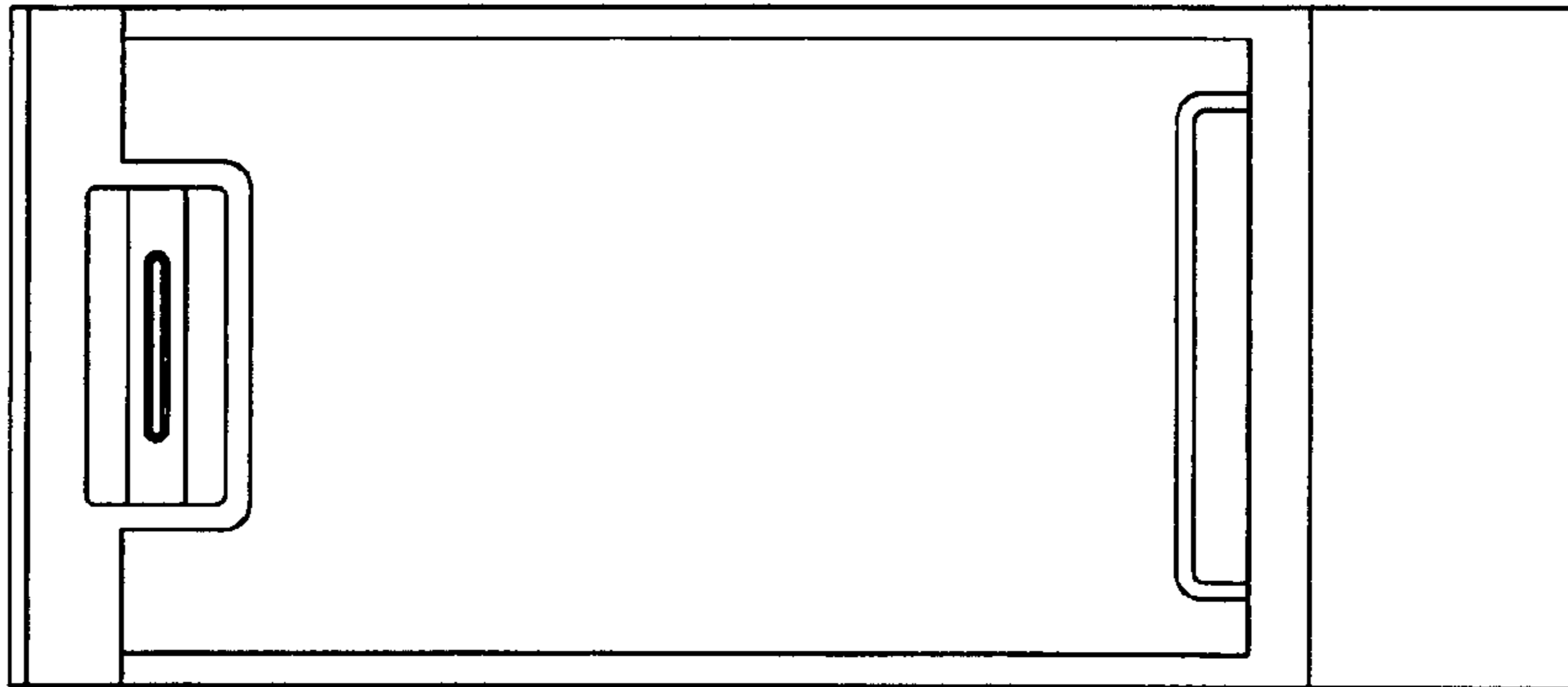


FIG. 4

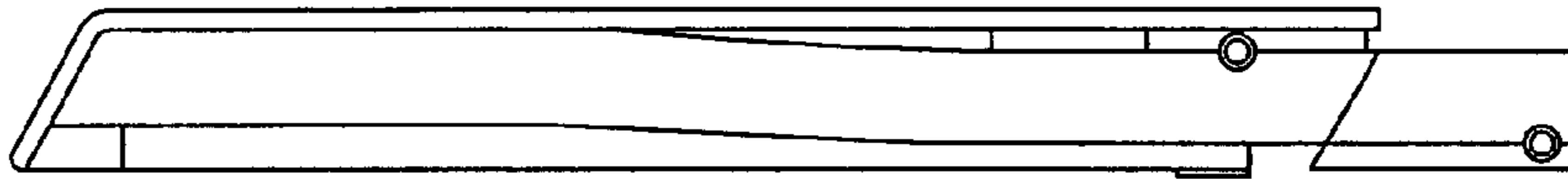


FIG. 5

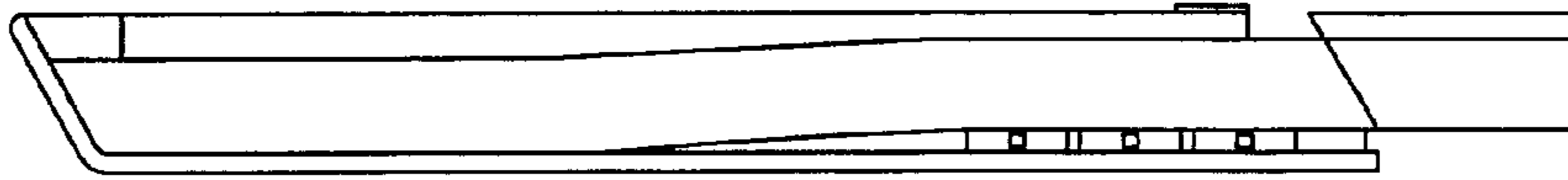


FIG.6

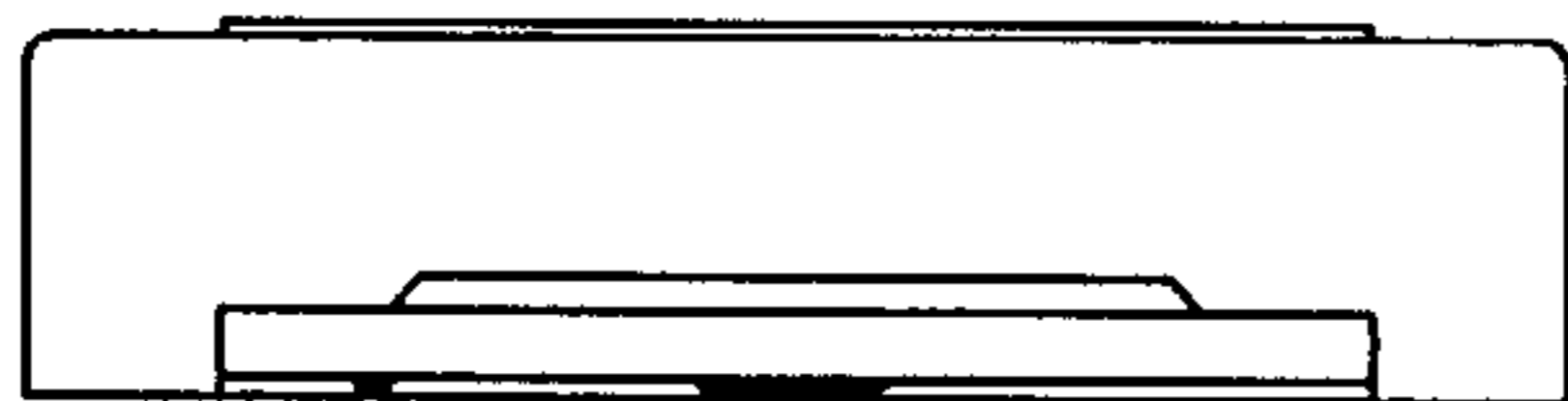


FIG.7

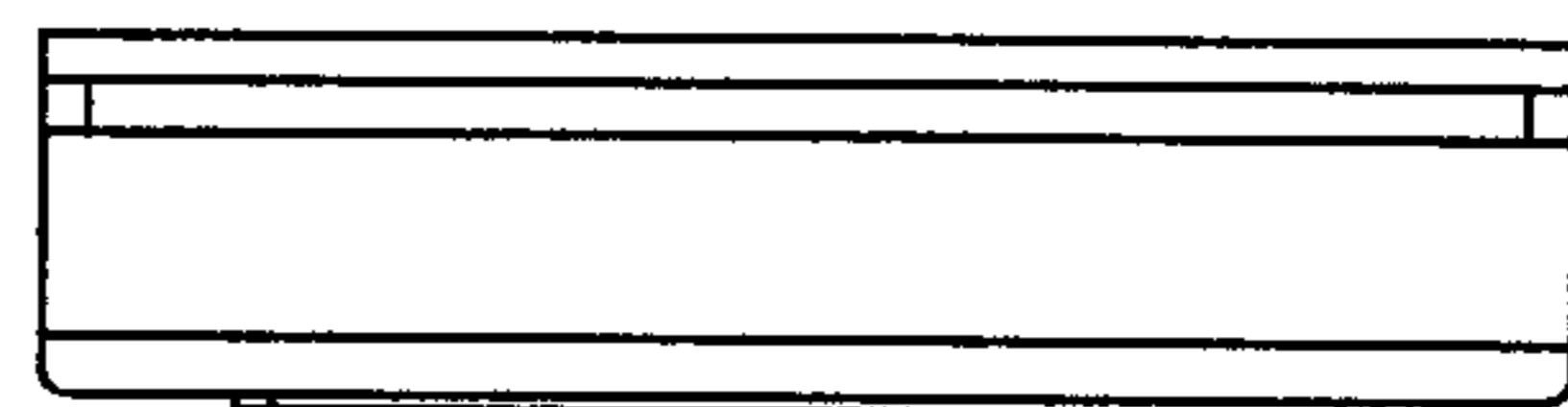


FIG. 8

