



US00D529885S

(12) **United States Design Patent**
Park et al.

(10) **Patent No.:** **US D529,885 S**
(45) **Date of Patent:** **** Oct. 10, 2006**

(54) **DVD RECORDER**

(75) Inventors: **Jung-Hyun Park**, Seoul (KR);
Jin-Wook Kim, Seoul (KR)

(73) Assignee: **Samsung Electronics Co., Ltd.**,
Kyunggi-do (KR)

(**) Term: **14 Years**

(21) Appl. No.: **29/237,120**

(22) Filed: **Aug. 26, 2005**

(51) **LOC (8) Cl.** **14-01**

(52) **U.S. Cl.** **D14/136**

(58) **Field of Classification Search** D14/135-136,
D14/156-157, 167-168, 193-198, 188, 357,
D14/445; 360/99.02, 99.07, 137; 369/75.11,
369/75.21, 77.21, 77.11; 720/612, 619, 647,
720/655; 455/344, 347-351

See application file for complete search history.

(56) **References Cited**

U.S. PATENT DOCUMENTS

5,852,594	A	*	12/1998	Kaise et al.	720/647
D432,513	S	*	10/2000	Takahashi	D14/156
D459,321	S	*	6/2002	Kojima et al.	D14/136
D480,373	S	*	10/2003	Oda et al.	D14/136
D485,814	S	*	1/2004	Winkler	D14/136

OTHER PUBLICATIONS

U.S. Appl. No. 29/217,942, Applicant: Young-Sam Kwon,
et al., filed Nov. 23, 2004 entitled Complex Image Player.

U.S. Appl. No. 29/217,943, Applicant: Bong-Chan Ko, et
al., filed Nov. 23, 2004 entitled Complex Image Player.

U.S. Appl. No. 29/217,940, Applicant: Young-Sam Kwon,
et al., filed Nov. 23, 2004 entitled Complex Image Player.

U.S. Appl. No. 29/217,946, Applicant: Young-Sam Kwon,
et al., filed Nov. 23, 2004 entitled DVD Player.

U.S. Appl. No. 29/217,945, Applicant: Young-Sam Kwon,
et al., filed Nov. 23, 2004 entitled Double-Deck DVD
Recorder.

U.S. Appl. No. 29/217,947, Applicant: Young-Sam Kwon,
et al., filed Nov. 23, 2004 entitled Complex Image Player.

U.S. Appl. No. 29/226,437, Applicant: Min-Geun Kim, et
al., filed Mar. 29, 2005 entitled Digital Video Recorder.

U.S. Appl. No. 29/228,009, Applicant: Han Kim, et al., filed
Apr. 19, 2005 entitled Complex Image Player.

U.S. Appl. No. 29/228,003, Applicant: Hyun-Teak Lim, et
al., filed Apr. 19, 2005 entitled DVD Recorder.

U.S. Appl. No. 29/228,001, Applicant: Hyun-Teak Lim,
filed Apr. 19, 2005 entitled DVD Recorder.

U.S. Appl. No. 29/228,005, Applicant: Han Kim, et al., filed
Apr. 19, 2005 entitled Complex Image Player.

U.S. Appl. No. 29/228,023, Applicant: Han Kim, et al., filed
Apr. 19, 2005 entitled Blu-Ray Player.

U.S. Appl. No. 29/228,020, Applicant: Hyun-Teak Lim,
filed Apr. 19, 2005 entitled DVD Recorder.

U.S. Appl. No. 29/228,006, Applicant: Han Kim, et al., filed
Apr. 19, 2005 entitled Complex Image Player.

U.S. Appl. No. 29/228,036, Applicant: Young-Sam Kwon,
et al., filed Apr. 19, 2005 entitled Complex Image Player.

U.S. Appl. No. 29/228,002, Applicant: Hyun-Teak Lim,
filed Apr. 19, 2005 entitled Blu-Ray Player.

(Continued)

Primary Examiner—Nanda Bondade

(74) *Attorney, Agent, or Firm*—Fynn, Thiel, Boutell &
Tanis, P.C.

(57) **CLAIM**

The ornamental design for a DVD recorder, as shown and
described.

DESCRIPTION

FIG. 1. is a top front perspective view of a DVD recorder
showing our new design.

FIG. 2. is a front elevational view thereof.

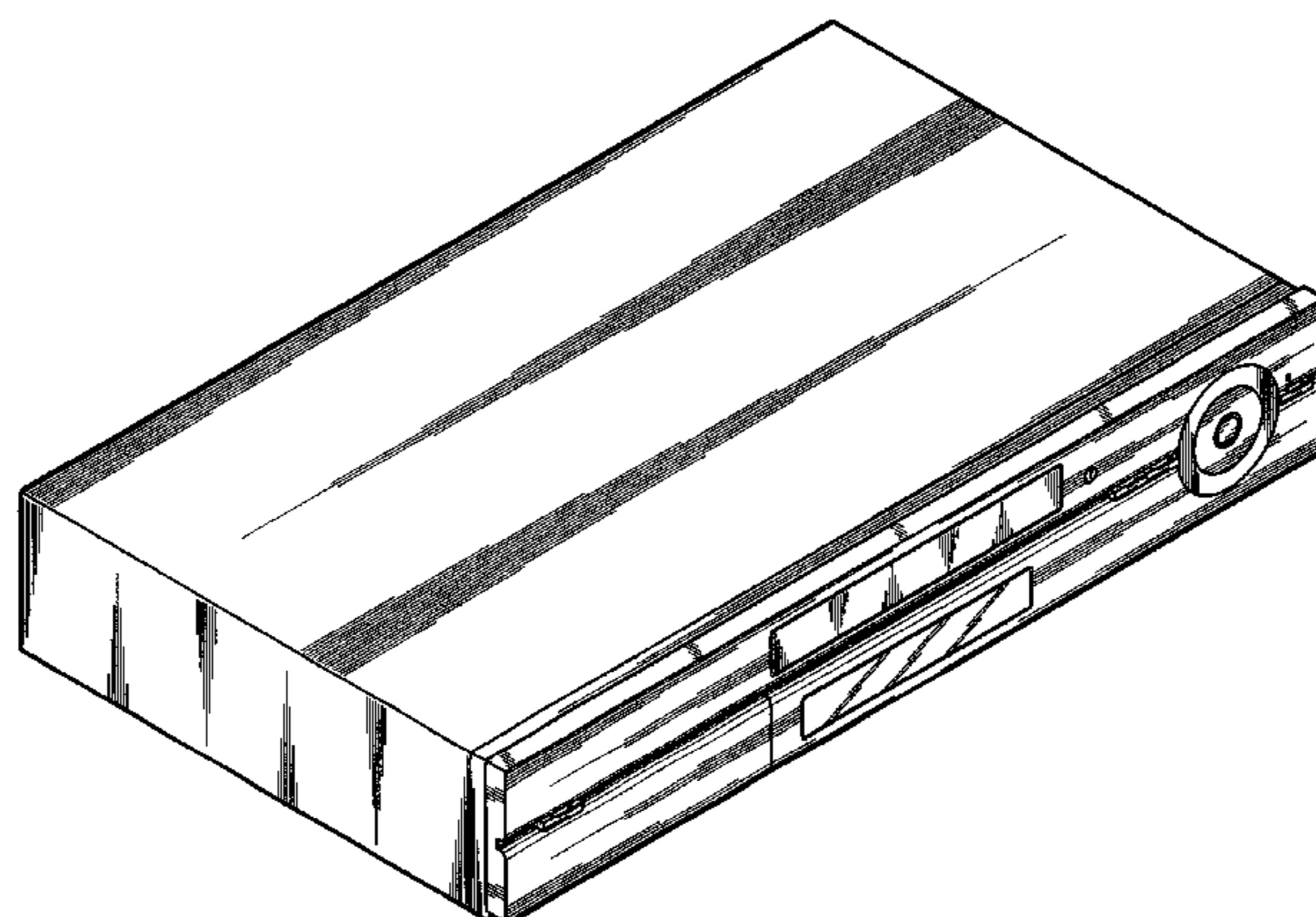
FIG. 3. is a rear elevational view thereof.

FIG. 4 is a left side elevational view thereof, the right side
being a mirror image;

FIG. 5 is a top plan view thereof; and,

FIG. 6 is a bottom plan view thereof.

1 Claim, 4 Drawing Sheets



OTHER PUBLICATIONS

U.S. Appl. No. 29/228,008, Applicant: Young-Sam Kwon, et al., filed Apr. 19, 2005 entitled Complex Image Player.

U.S. Appl. No. 29/228,033, Applicant: Young-Sam Kwon, et al., filed Apr. 19, 2005 entitled Complex Image Player.

U.S. Appl. No. 29/228,011, Applicant: Young-Sam Kwon, et al., filed Apr. 19, 2005 entitled Complex Image Player.

U.S. Appl. No. 29/228,000, Applicant: Young-Sam Kwon, et al., filed Apr. 19, 2005 entitled DVD Player.

U.S. Appl. No. 29/227,995, Applicant: Hyun-Teak Lim, et al., filed Apr. 19, 2005 entitled DVD Player.

U.S. Appl. No. 29/231,247, Applicant: Ju-Won Cho, et al., filed Jun. 2, 2005 entitled DVD Player.

U.S. Appl. No. 29/237,117, Applicant: Hyun-Teak Lim, et al., filed Aug. 26, 2005 entitled Blu-Ray Disk Player.

U.S. Appl. No. 29/237,118, Applicant: Hyun-Teak Lim, et al., filed Aug. 26, 2005 entitled DVD Recorder.

U.S. Appl. No. 29/237,119, Applicant: Hyun-Teak Lim, et al., filed Aug. 26, 2005 entitled Blu-Ray Disk Player.

U.S. Appl. No. 29/237,121, Applicant: Hyun-Teak Lim, et al., filed Aug. 26, 2005 entitled Complex Image Player.

U.S. Appl. No. 29/237,122, Applicant: Jung-Hyun Park, et al., filed Aug. 26, 2005 entitled DVD Player.

U.S. Appl. No. 29/237,123, Applicant: Hyun-Teak Lim, et al., filed Aug. 26, 2005 entitled DVD Recorder.

U.S. Appl. No. 29/237,124, Applicant: Hyun-Teak Lim, et al., filed Aug. 26, 2005 entitled DVD Recorder.

* cited by examiner

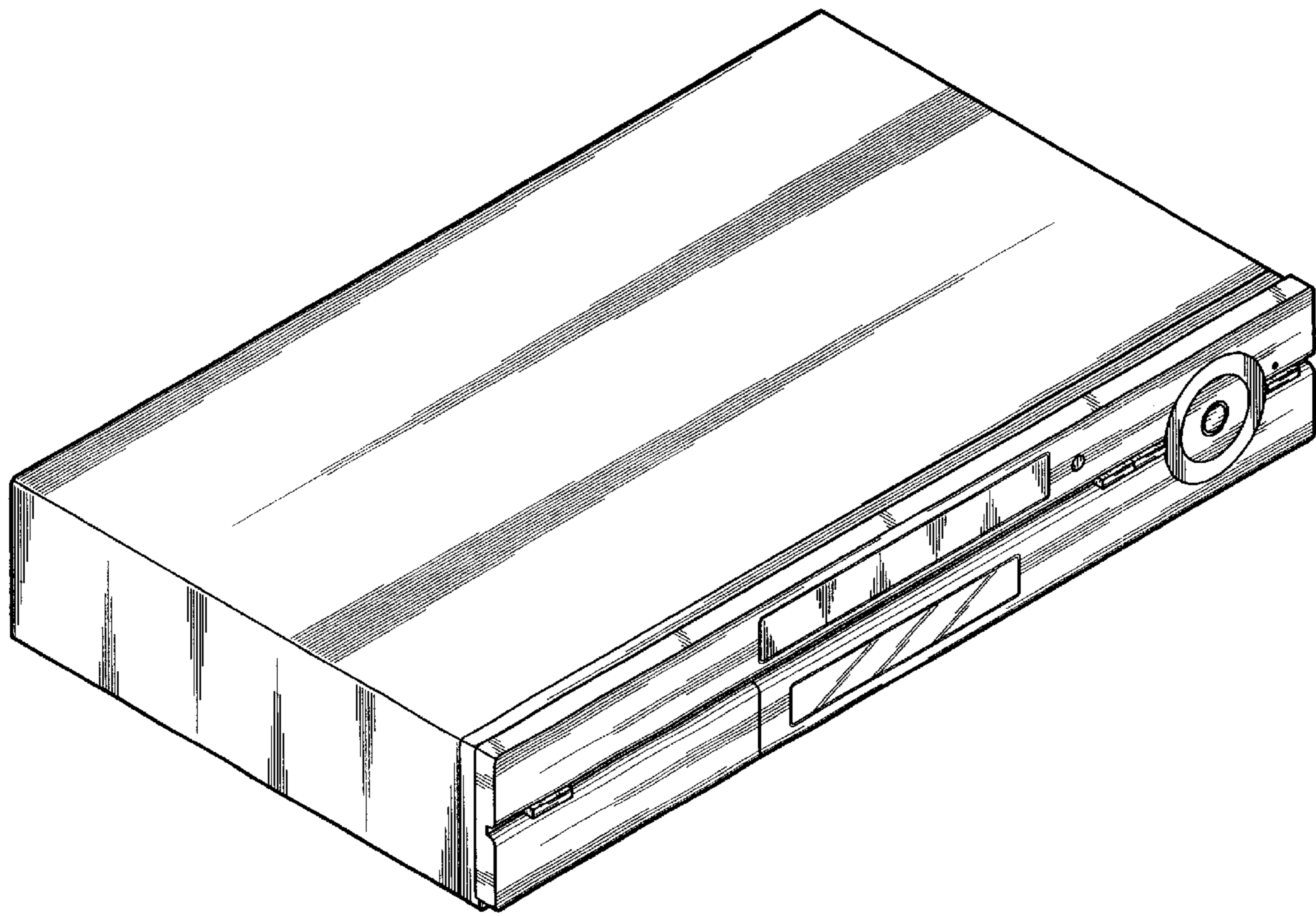


FIG.1

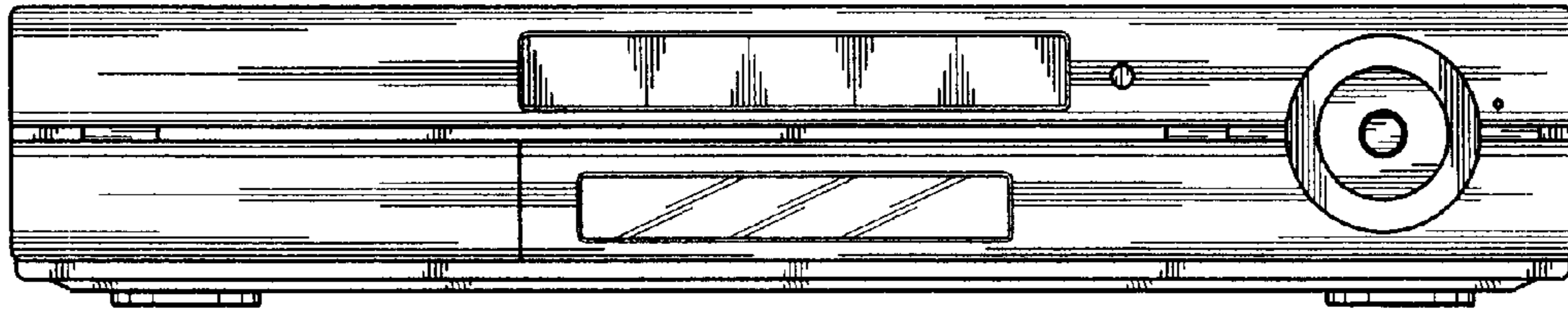


FIG. 2

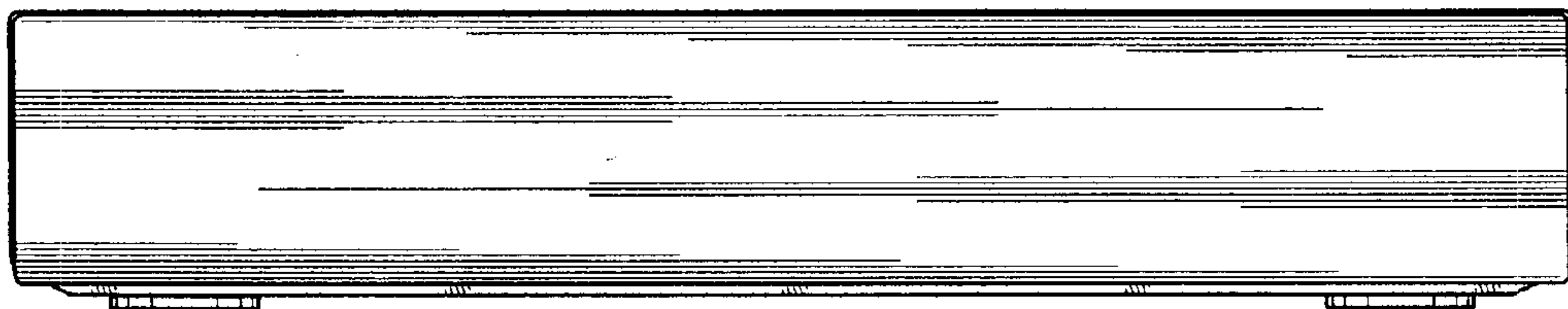


FIG. 3

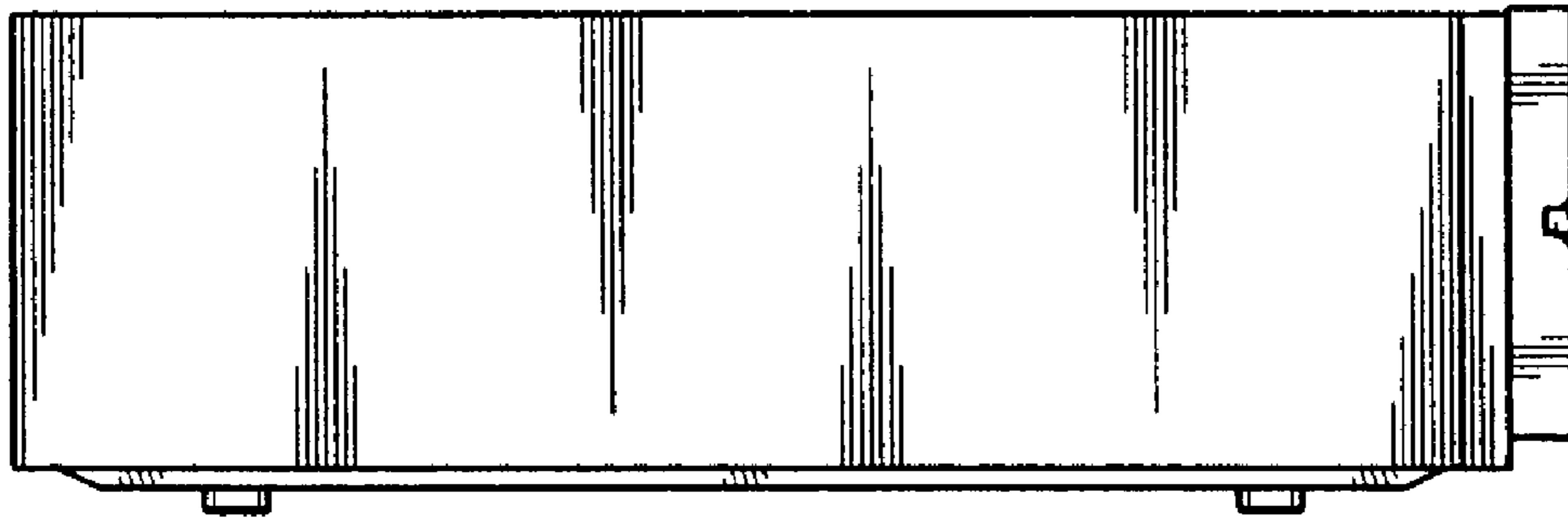


FIG. 4

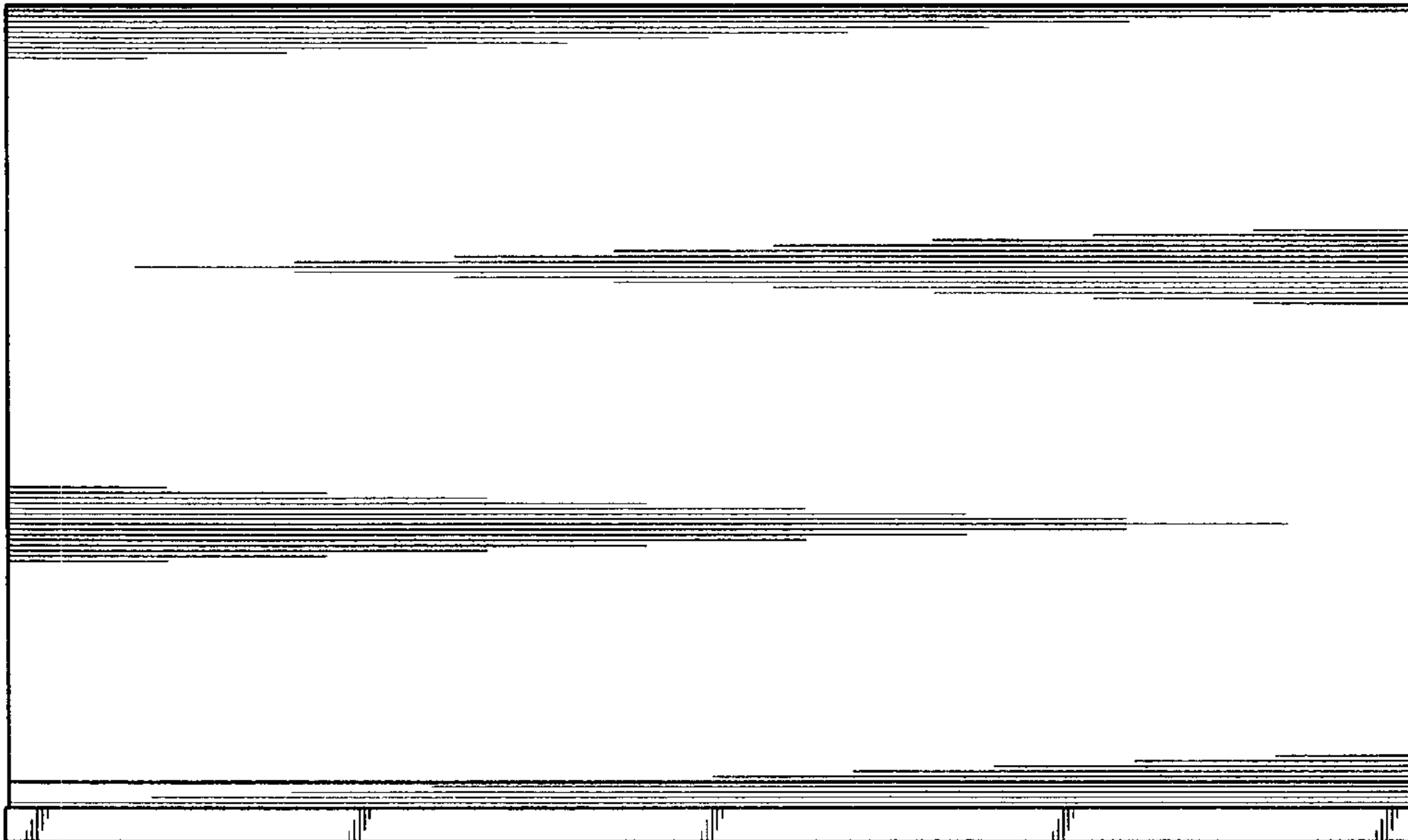


FIG. 5

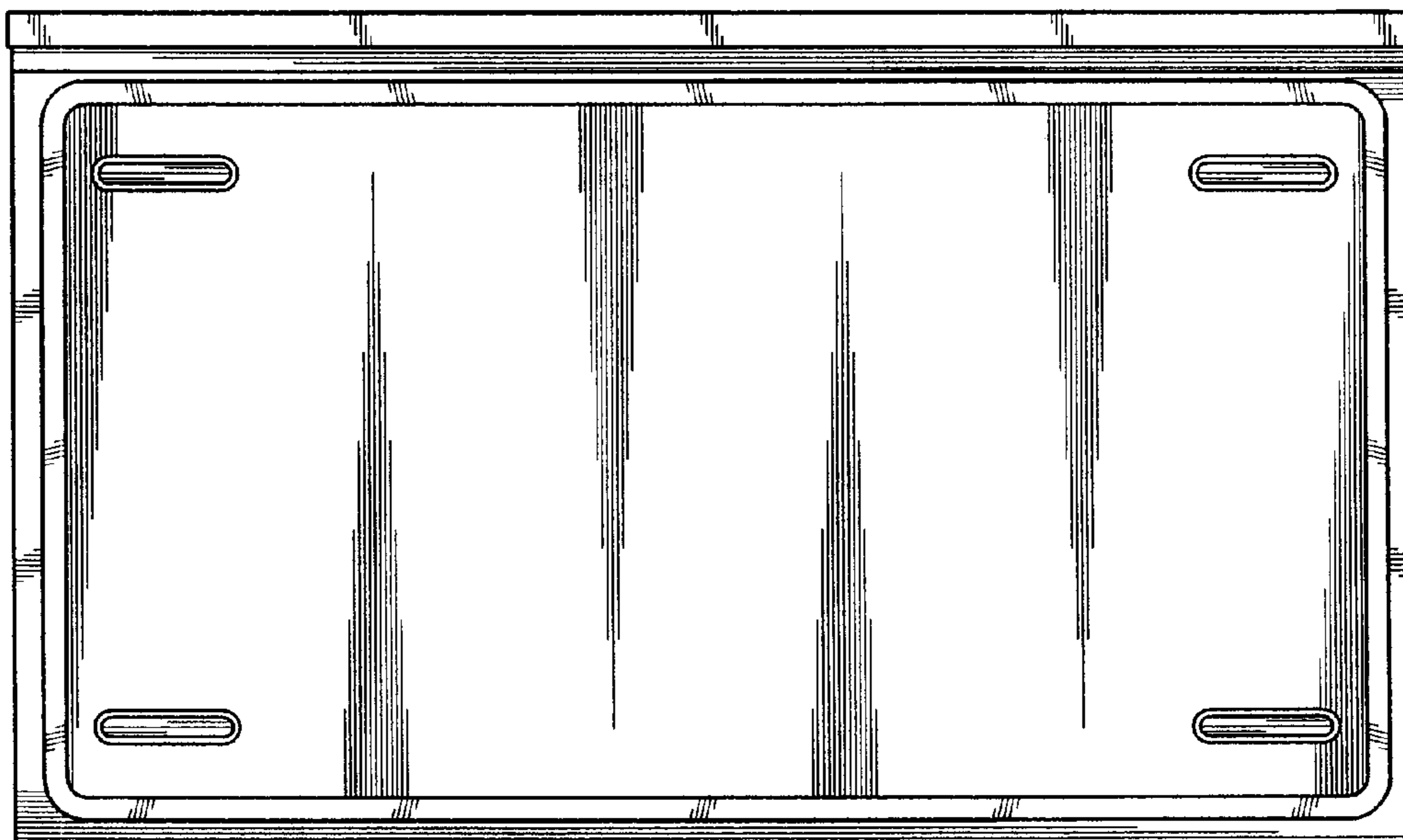


FIG. 6