



US00D529884S

(12) **United States Design Patent**  
**Zernov**

(10) **Patent No.:** **US D529,884 S**  
(45) **Date of Patent:** **\*\* Oct. 10, 2006**

(54) **VIDEO DISPLAY/CORD DISPENSER**  
(75) Inventor: **Jeffrey P. Zernov**, Brainerd, MN (US)  
(73) Assignee: **Nature Vision, Inc.**, Brainerd, MN (US)  
(\*\*) Term: **14 Years**

D374,166 S \* 10/1996 Czerwinski et al. .... D8/359  
D397,336 S \* 8/1998 Woodworth ..... D14/126  
D455,410 S \* 4/2002 Maruyama et al. .... D14/126  
D461,786 S \* 8/2002 Maruyama ..... D14/126  
D462,957 S \* 9/2002 Ekelund ..... D14/336  
D469,744 S \* 2/2003 Lam ..... D14/126  
D475,609 S \* 6/2003 Lin ..... D8/359  
6,648,432 B1 \* 11/2003 Huang ..... 312/327  
D488,140 S \* 4/2004 Hanselman et al. .... D14/129

(21) Appl. No.: **29/209,259**  
(22) Filed: **Jul. 13, 2004**

\* cited by examiner

(51) **LOC (8) Cl.** ..... **14-03**  
(52) **U.S. Cl.** ..... **D14/129**  
(58) **Field of Classification Search** ..... D14/125-134,  
D14/218, 358, 356, 432, 433, 114, 217, 230,  
D14/299, 174; D13/162, 184, 199, 147, 123,  
D13/133, 151, 154, 168; 361/690-696; 385/76,  
385/88, 129; D20/18; D26/37; 312/7.2; 348/836,  
348/838, 553, 731; 343/872; D3/208; D10/104,  
D10/106, 75; 123/179.2; 340/825; 455/90.1,  
455/155.1

*Primary Examiner*—Raphael Barkai  
*Assistant Examiner*—Randall H. Gholson  
(74) *Attorney, Agent, or Firm*—D L Tschida

See application file for complete search history.

(57) **CLAIM**

The ornamental design for a video display/cord dispenser, as shown and described.

**DESCRIPTION**

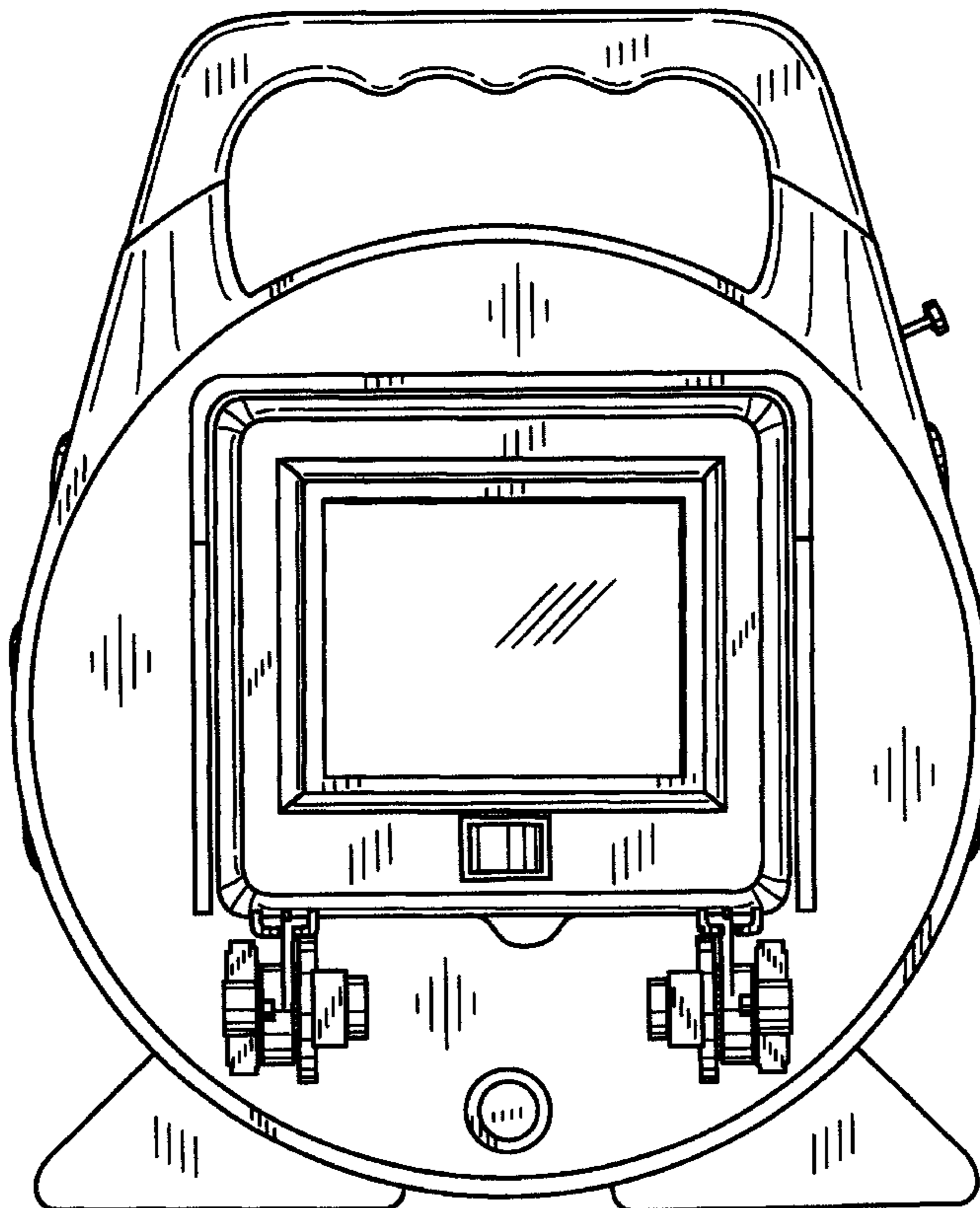
FIG. 1 is a front view of my new design for a video display/cord dispenser;  
FIG. 2 is a rear view thereof;  
FIG. 3 is a right side view thereof and wherein the left side view is identical except for the “button” shown on the right side.  
FIG. 4 is a top view thereof; and,  
FIG. 5 is a bottom view thereof.

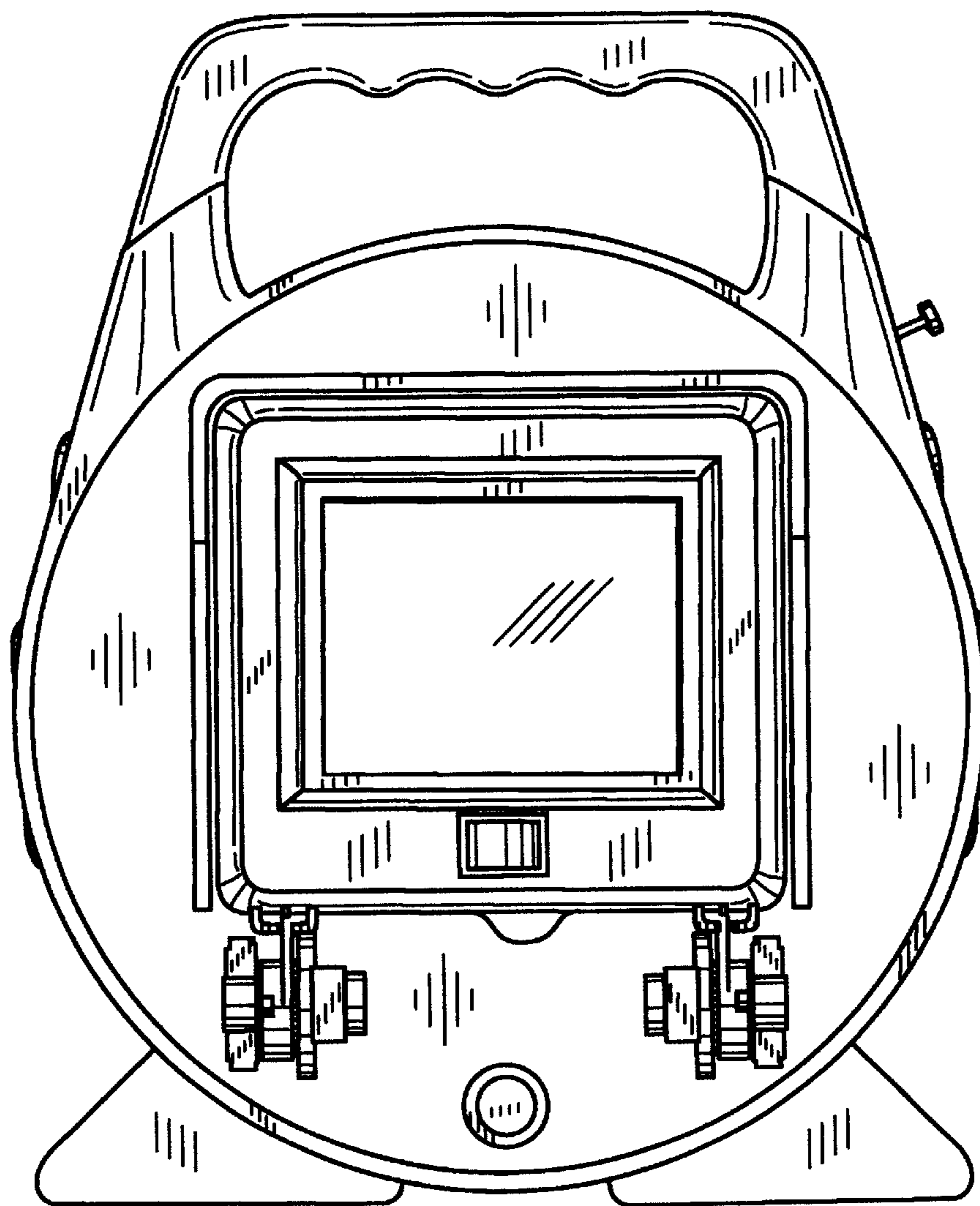
(56) **References Cited**

U.S. PATENT DOCUMENTS

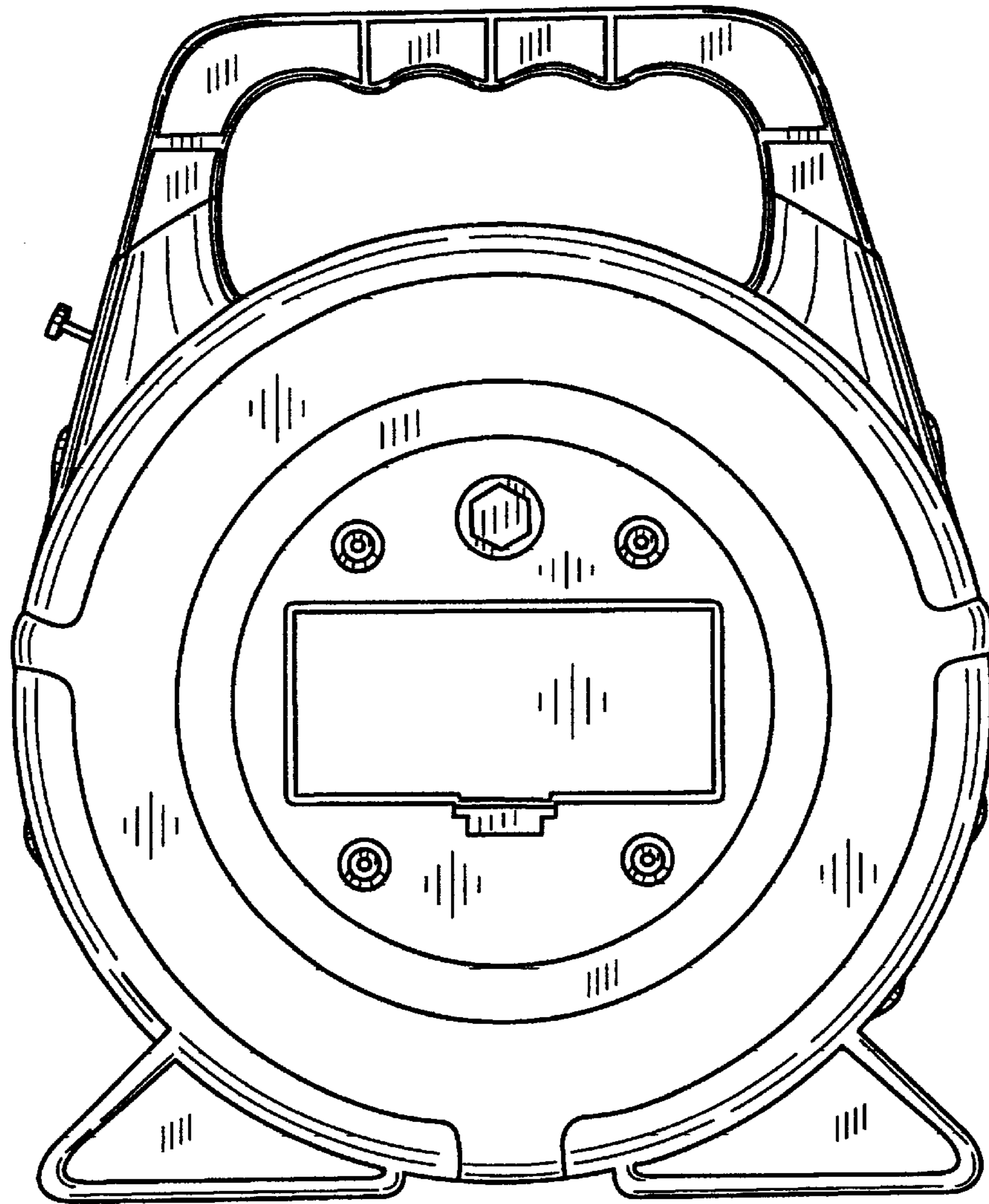
D224,792 S \* 9/1972 Knox ..... D30/118  
D227,701 S \* 7/1973 Fujita ..... D14/126  
D286,503 S \* 11/1986 Bobrovniczky ..... D8/359  
4,989,582 A \* 2/1991 Sakiyama et al. .... 600/109

**1 Claim, 5 Drawing Sheets**

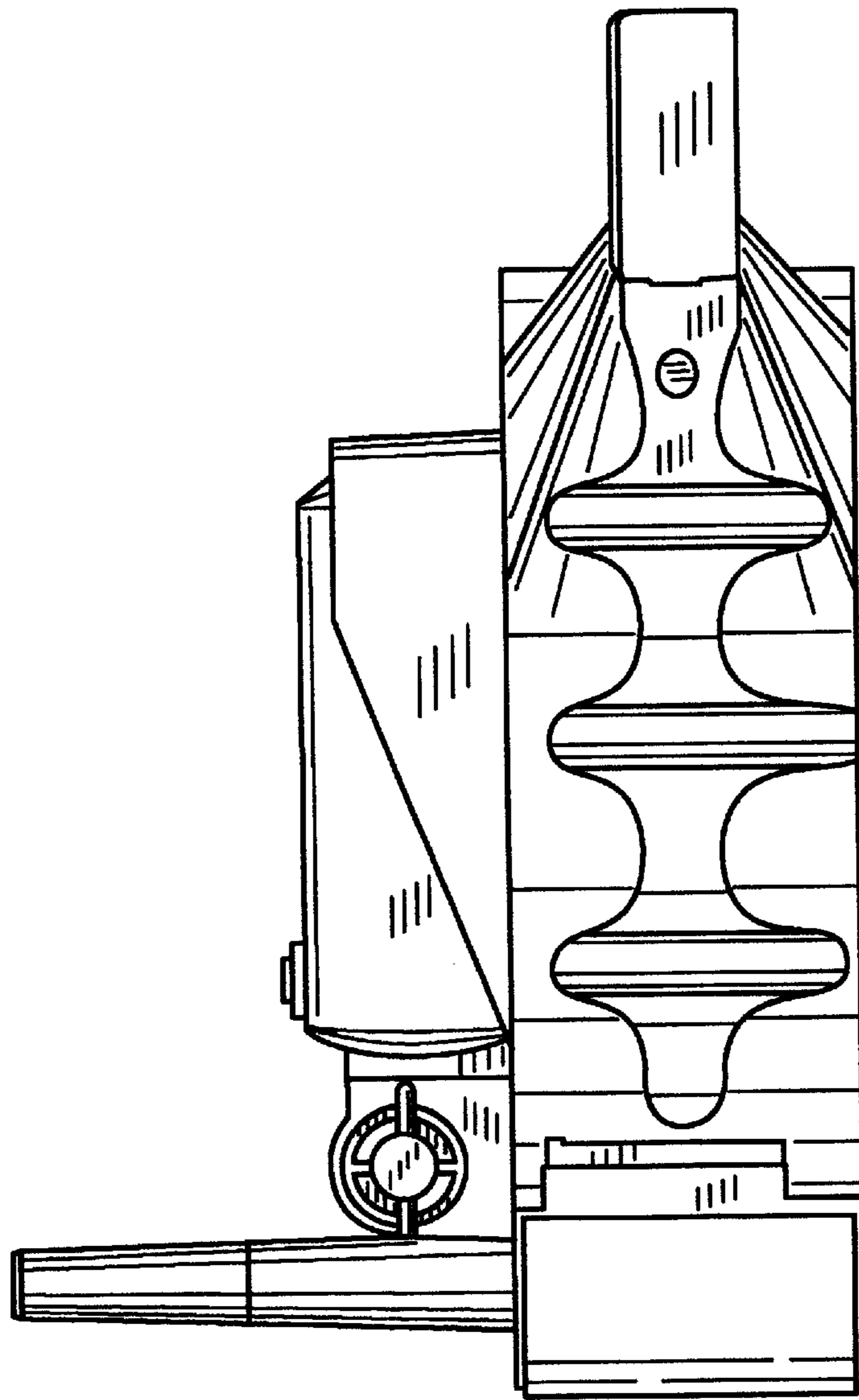




**FIG. 1**



**FIG. 2**



**FIG. 3**

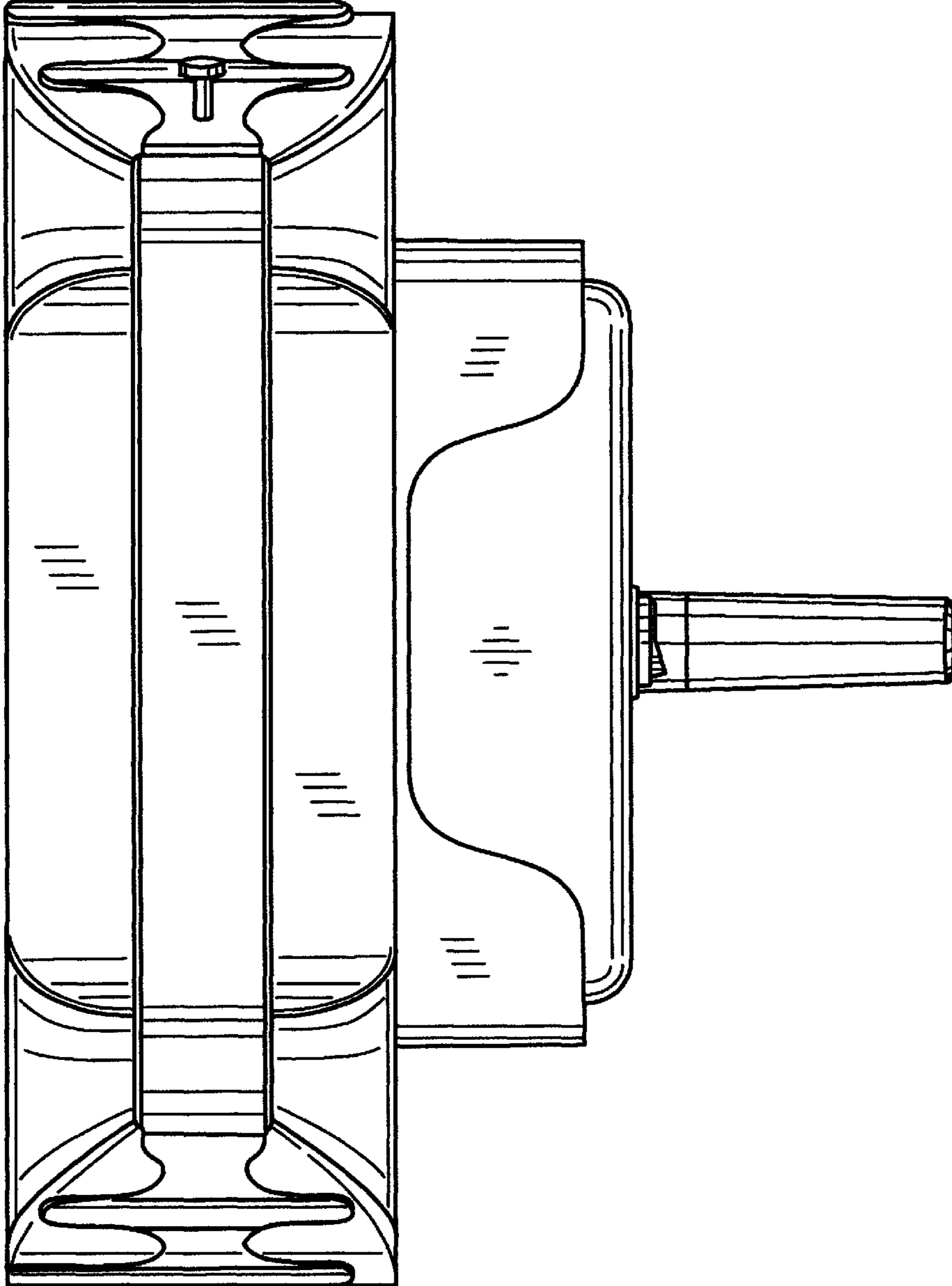


FIG. 4

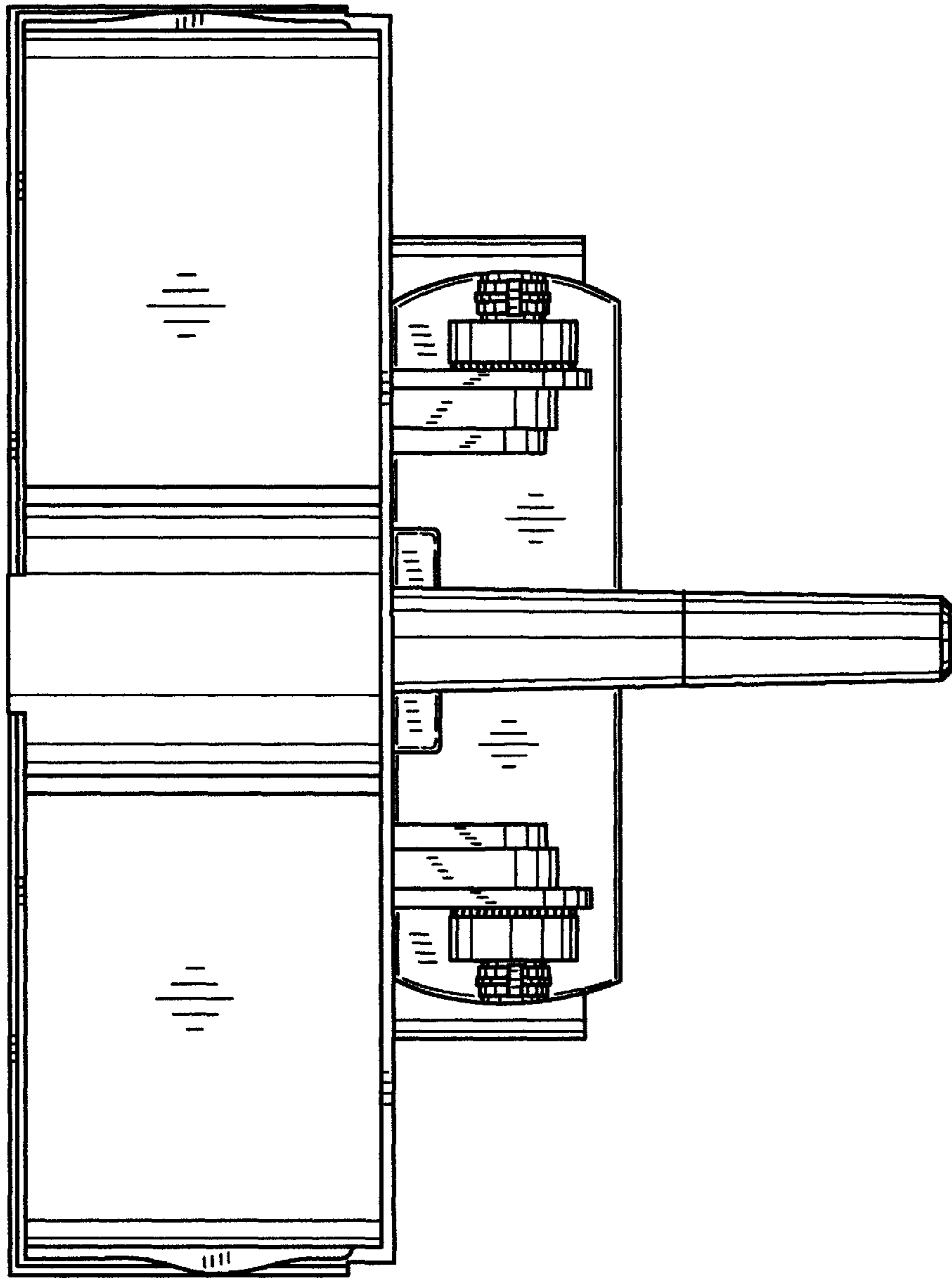


FIG. 5