



US00D529881S

(12) **United States Design Patent**  
**Honda**

(10) **Patent No.:** **US D529,881 S**

(45) **Date of Patent:** **\*\* Oct. 10, 2006**

(54) **PORTION OF TELEVISION SET**

(75) **Inventor:** **Tatsuya Honda**, Yokohama (JP)

(73) **Assignee:** **Kabushiki Kaisha Toshiba** (JP)

(\*\*) **Term:** **14 Years**

(21) **Appl. No.:** **29/230,138**

(22) **Filed:** **May 18, 2005**

(30) **Foreign Application Priority Data**

Dec. 28, 2004 (JP) ..... 2004-040290

(51) **LOC (8) Cl.** ..... **14-03**

(52) **U.S. Cl.** ..... **D14/126**

(58) **Field of Classification Search** ..... D14/125–134,  
D14/239, 371, 374, 375, 376, 492; 345/156,  
345/168, 87, 104, 133; 312/7.2; 348/836,  
348/838, 180, 184, 325, 739; 341/12; 248/917–924  
See application file for complete search history.

(56) **References Cited**

**U.S. PATENT DOCUMENTS**

- D413,586 S 9/1999 Kondo
- D425,035 S 5/2000 Kondo et al.
- D427,169 S \* 6/2000 Saeki et al. .... D14/126
- D471,883 S 3/2003 Sugiyama et al.
- D472,532 S \* 4/2003 Niitsu ..... D14/126
- D474,163 S 5/2003 Araki
- D474,454 S 5/2003 Izu et al.
- D489,340 S 5/2004 Honda
- D491,540 S 6/2004 Honda
- D495,915 S \* 9/2004 Cahen ..... D7/309
- D497,146 S 10/2004 Asanuma et al.
- D497,147 S 10/2004 Izu et al.
- D497,352 S 10/2004 Asanuma et al.

- D498,217 S \* 11/2004 Kim et al. .... D14/126
- D501,186 S \* 1/2005 Kita ..... D14/126
- D503,158 S \* 3/2005 Asanuma et al. .... D14/126
- D505,405 S 5/2005 Honda et al.
- D509,197 S \* 9/2005 Asawa et al. .... D14/126

**FOREIGN PATENT DOCUMENTS**

- JP 1075598 6/2000
- JP 1163550 1/2003

**OTHER PUBLICATIONS**

B&H Summer Catalog, pp. 120–123 and pp. 172–173, Jun. 2004.

\* cited by examiner

*Primary Examiner*—Phillip Hyder

*Assistant Examiner*—Randall H. Gholson

(74) *Attorney, Agent, or Firm*—Banner & Witcoff, Ltd.

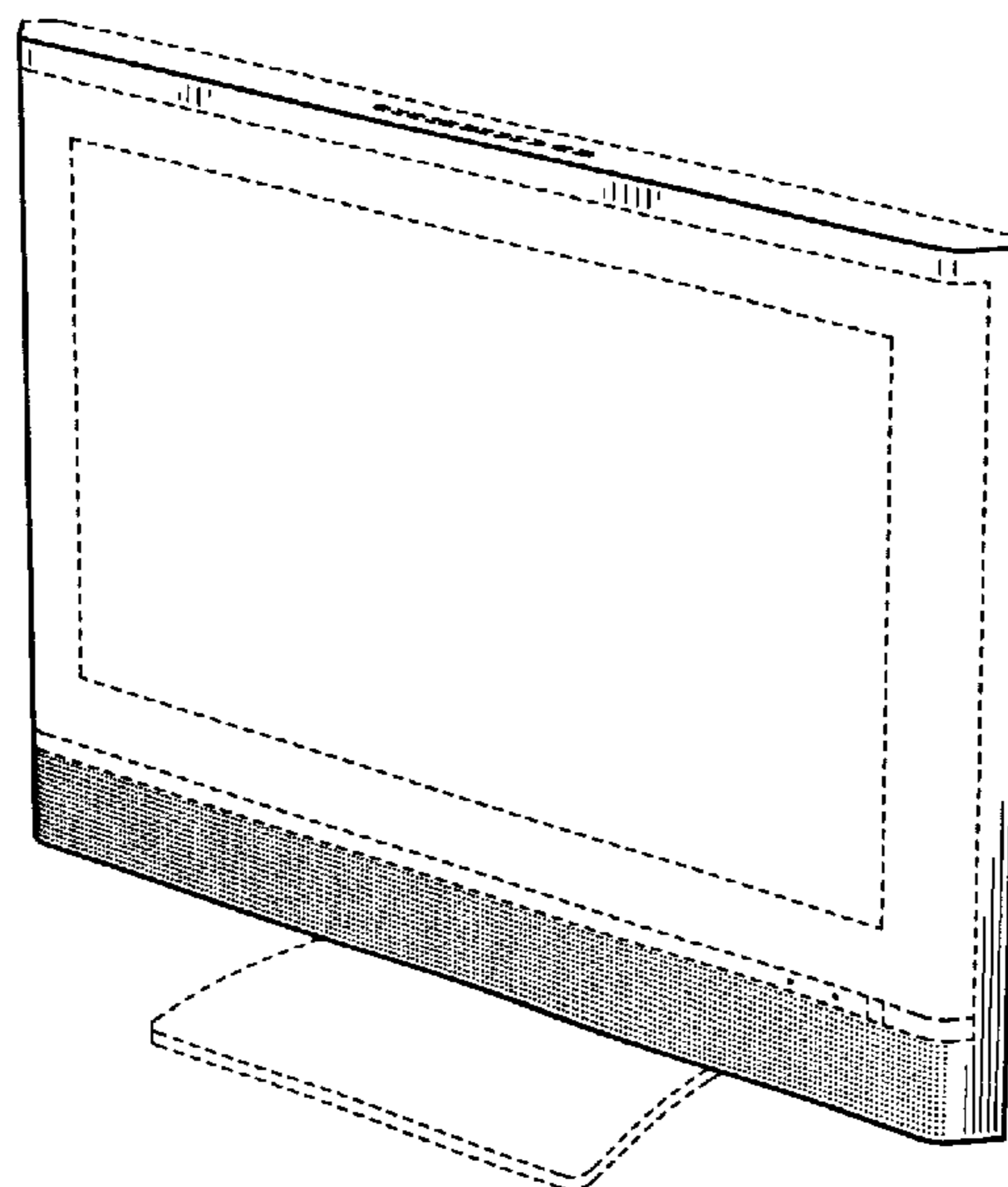
(57) **CLAIM**

The ornamental design for a portion of television set, as shown and described.

**DESCRIPTION**

FIG. 1 is a front, top and right side perspective view of a portion of television set, showing my new design; FIG. 2 is a front elevational view thereof; FIG. 3 is a rear elevational view thereof; FIG. 4 is a top plan view thereof; FIG. 5 is a right side elevational view thereof; FIG. 6 is a left side elevational view thereof; and, FIG. 7 is a bottom plan view thereof. The broken lines are for illustrative purposes only and form no part of the claimed design.

**1 Claim, 7 Drawing Sheets**



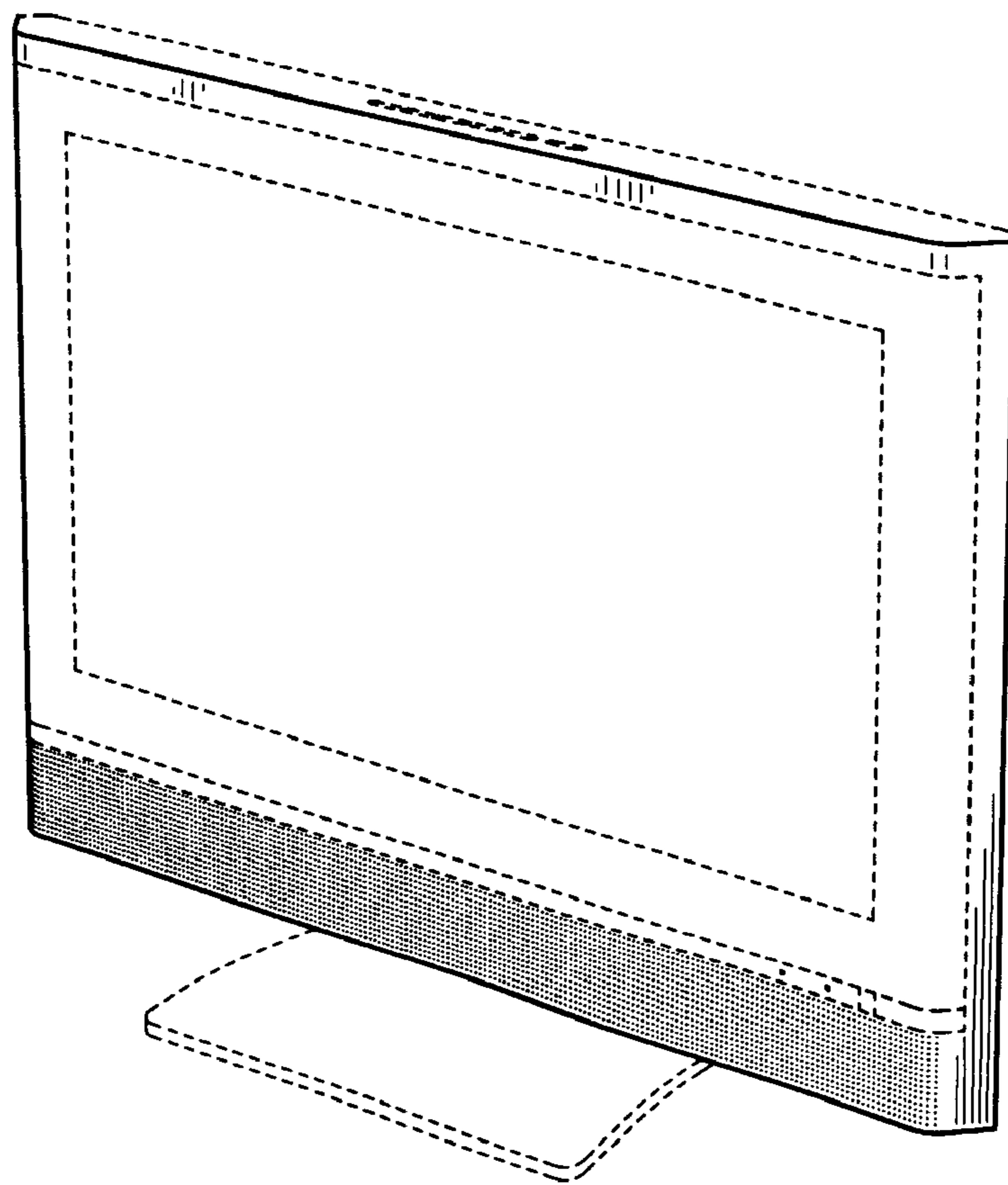


FIG.1

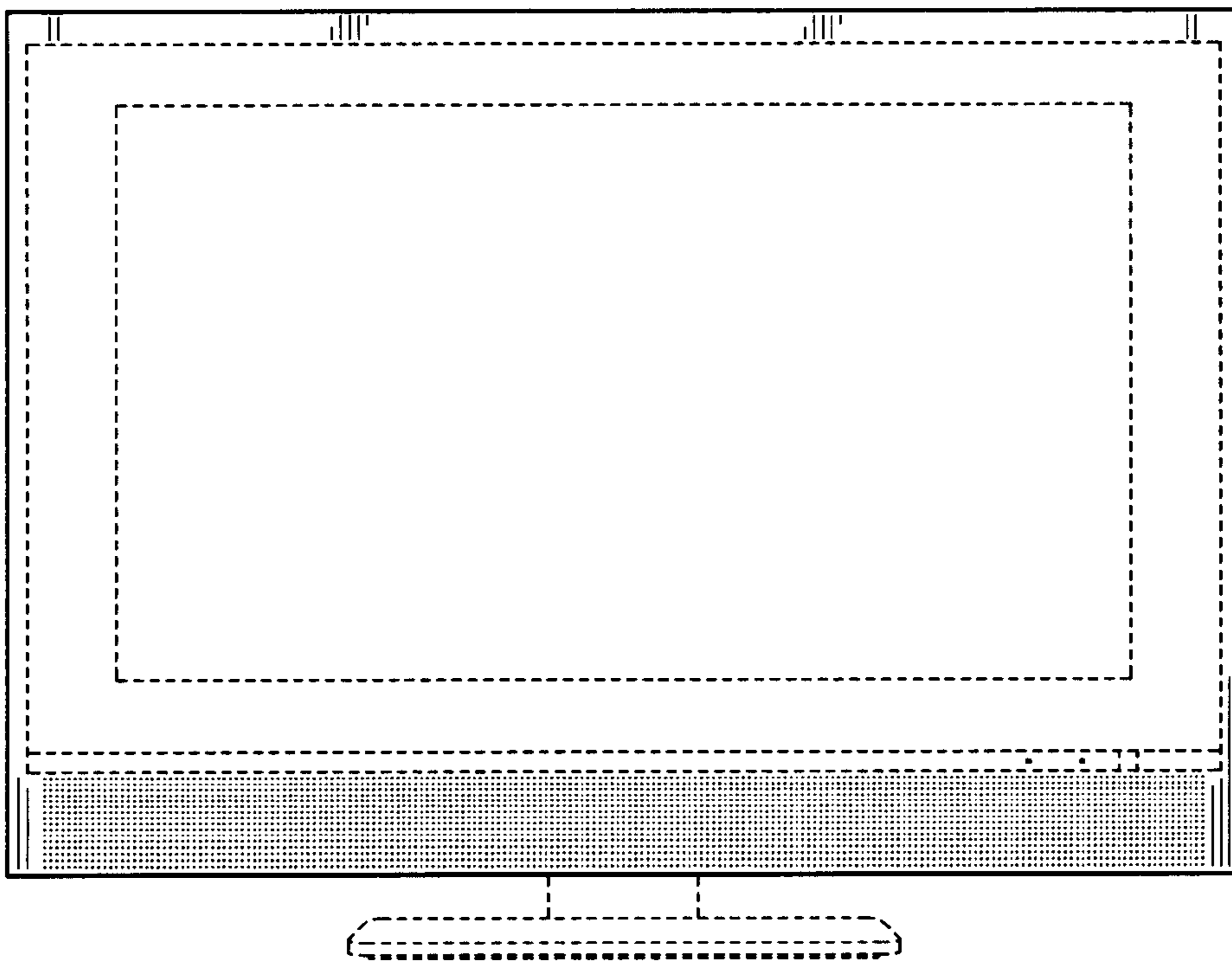


FIG. 2

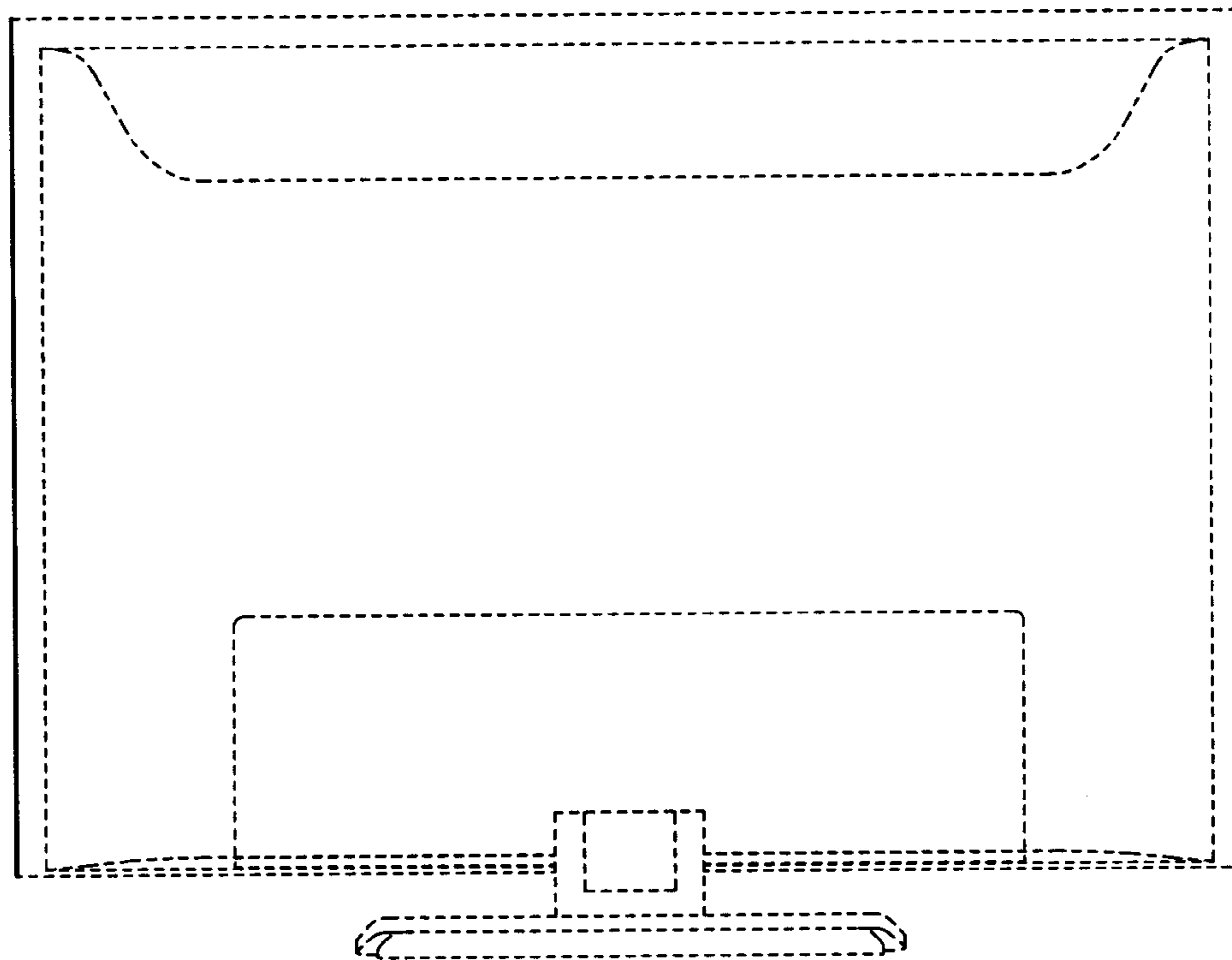


FIG. 3

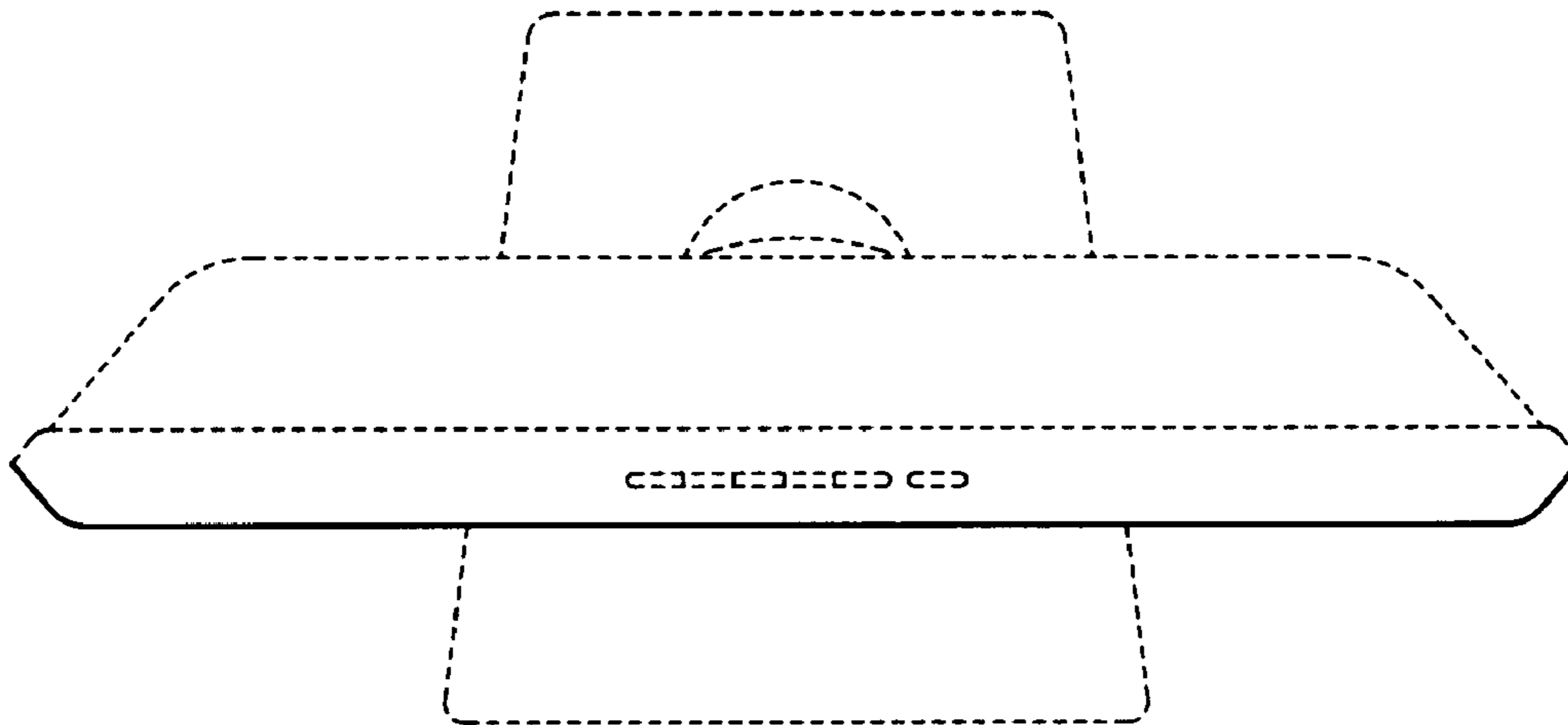


FIG.4

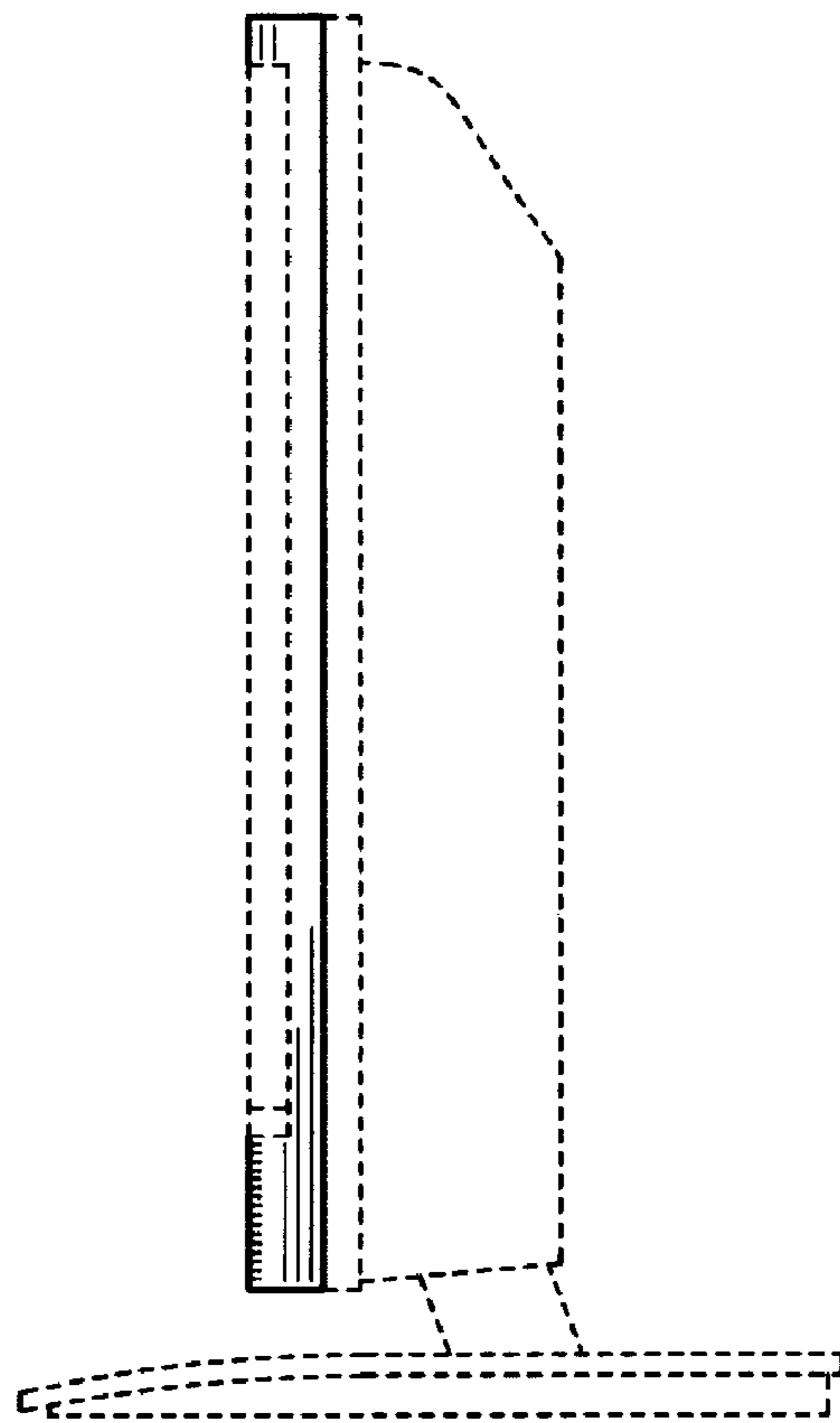


FIG.5

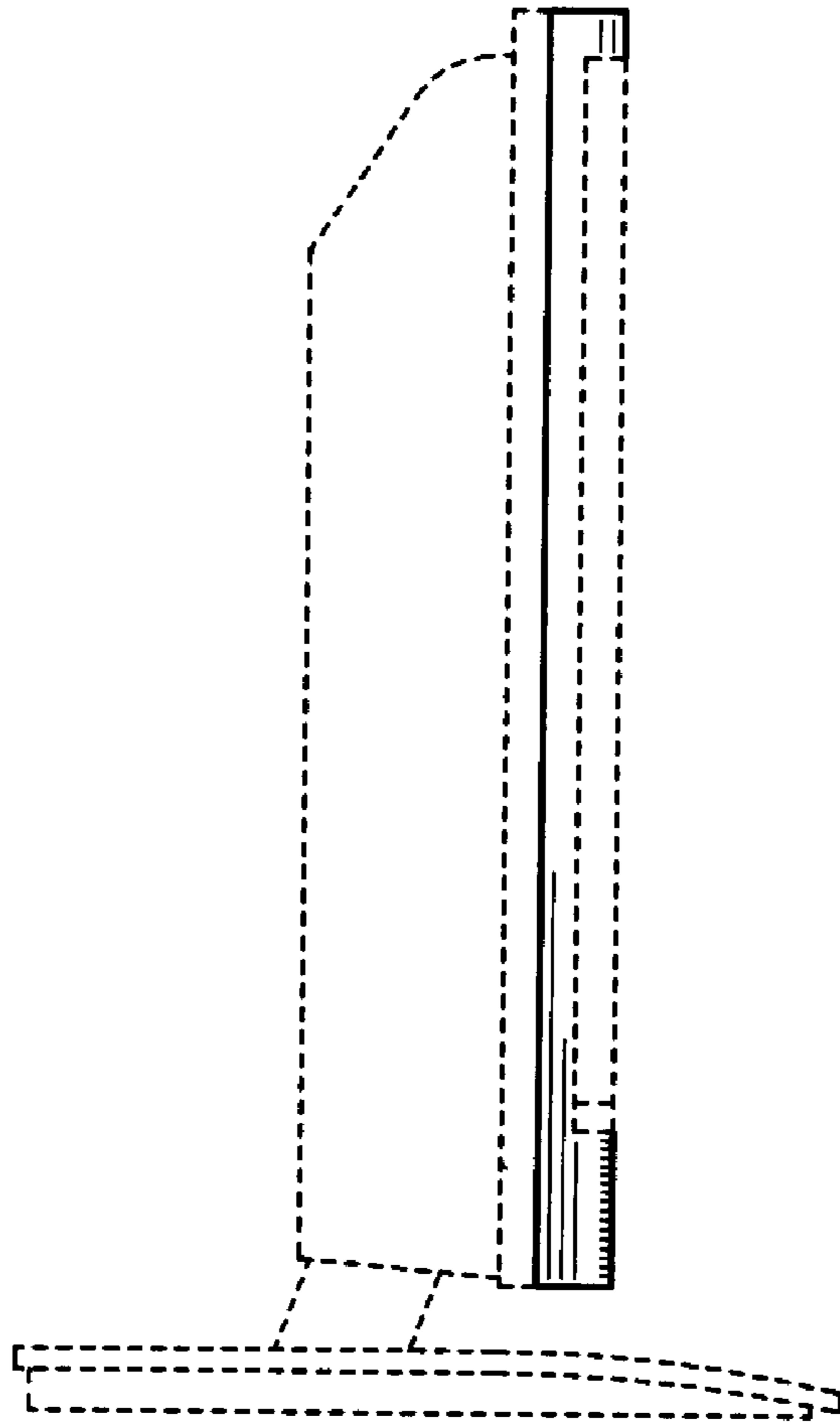


FIG.6

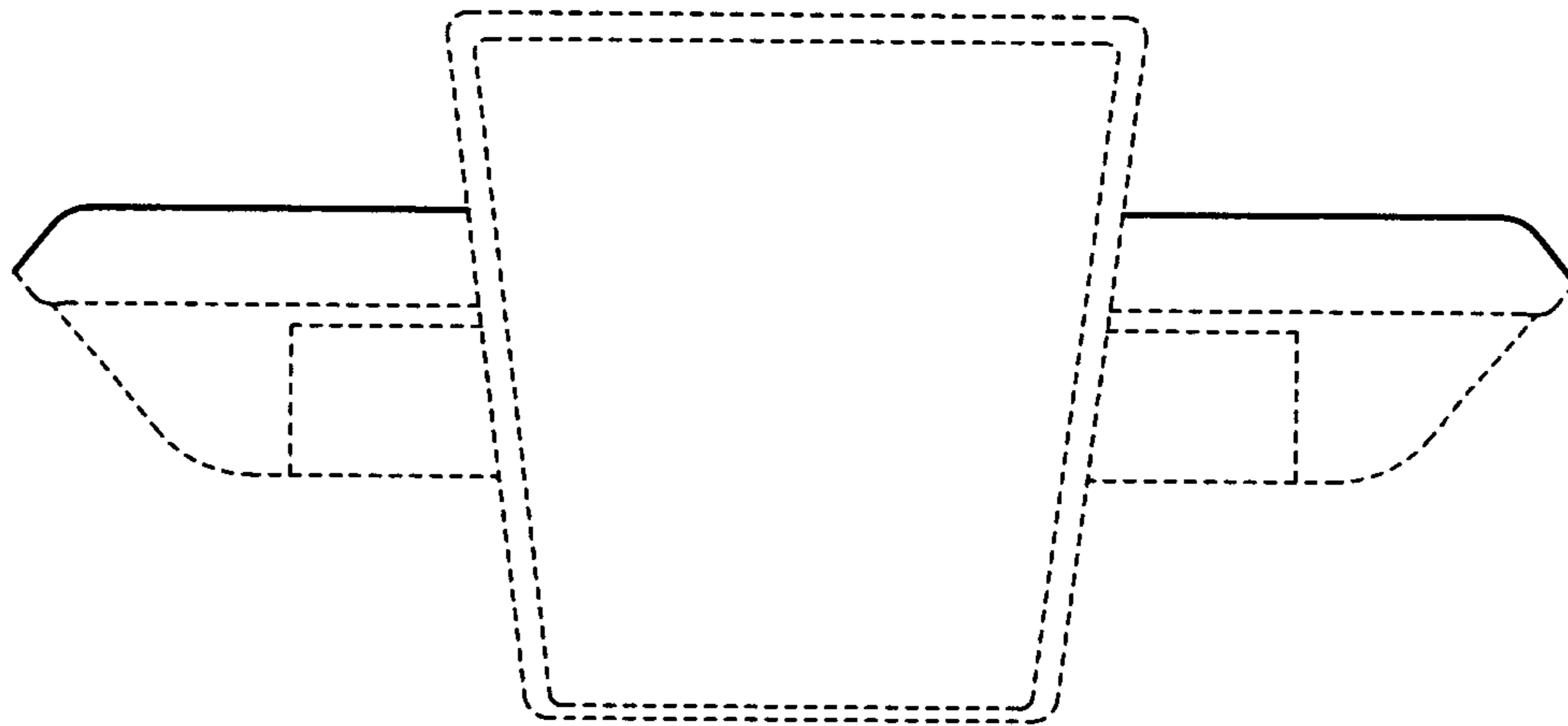


FIG.7