



US00D529877S

(12) **United States Design Patent** (10) **Patent No.:** **US D529,877 S**
Inoue (45) **Date of Patent:** **** *Oct. 10, 2006**

(54) **LIGHT EMITTING DIODE**

2005/0121688 A1 * 6/2005 Nagai et al. 257/99

(75) Inventor: **Tomio Inoue**, Kyoto (JP)

FOREIGN PATENT DOCUMENTS

(73) Assignee: **Rohm Co., Ltd.**, Kyoto (JP)

KR 30-0353996 7/2004
TW 581547 3/2004

(*) Notice: This patent is subject to a terminal disclaimer.

* cited by examiner

(**) Term: **14 Years**

Primary Examiner—Selina Sikder
(74) *Attorney, Agent, or Firm*—Rabin & Berdo, PC

(21) Appl. No.: **29/227,036**

(57) **CLAIM**

(22) Filed: **Apr. 6, 2005**

We claim; the ornamental design for a light emitting diode, substantially as shown and described.

(30) **Foreign Application Priority Data**

DESCRIPTION

Oct. 18, 2004 (JP) 2004-031563

(51) **LOC (8) Cl.** **13-03**

(52) **U.S. Cl.** **D13/180**

(58) **Field of Classification Search** D13/180;
D26/2; 257/79, 80, 81, 82, 88, 89, 95, 98,
257/99, 100, 433, 434, 666; 313/483, 498,
313/500; 361/820; 362/235, 555, 800; 372/45
See application file for complete search history.

FIG. 1 is a perspective design view of a light emitting diode showing my new design;
FIG. 2 is a front view thereof;
FIG. 3 is a rear view thereof;
FIG. 4 is a right side view thereof;
FIG. 5 is a top plan view thereof;
FIG. 6 is a bottom plan view thereof;
FIG. 7 is a cross-sectional view taken along line 7—7 in FIG. 2;
FIG. 8 is a cross-sectional view taken along line 8—8 in FIG. 2;
FIG. 9 is a cross-sectional view taken along line 9—9 in FIG. 2; and,
FIG. 10 is a cross-sectional view taken along line 10—10 in FIG. 2.

(56) **References Cited**

U.S. PATENT DOCUMENTS

D478,877 S * 8/2003 Hoshiba D13/182
D500,292 S * 12/2004 Ishida D13/180
D500,294 S * 12/2004 Ishida D13/180
D501,831 S * 2/2005 Ishida D13/180
6,953,952 B1 * 10/2005 Asakawa 257/103
D511,148 S * 11/2005 Ishida D13/180

1 Claim, 3 Drawing Sheets

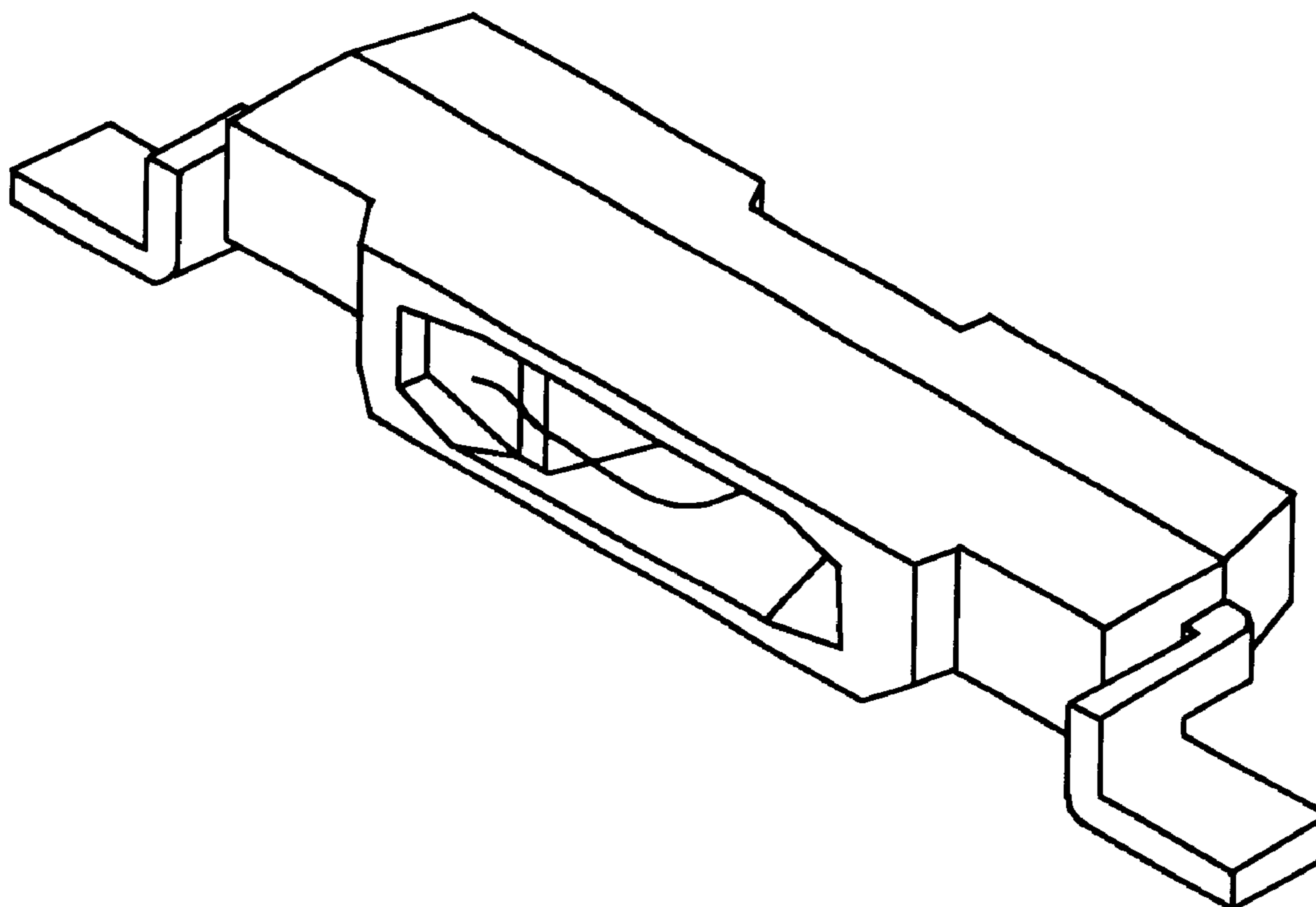


FIG. 1

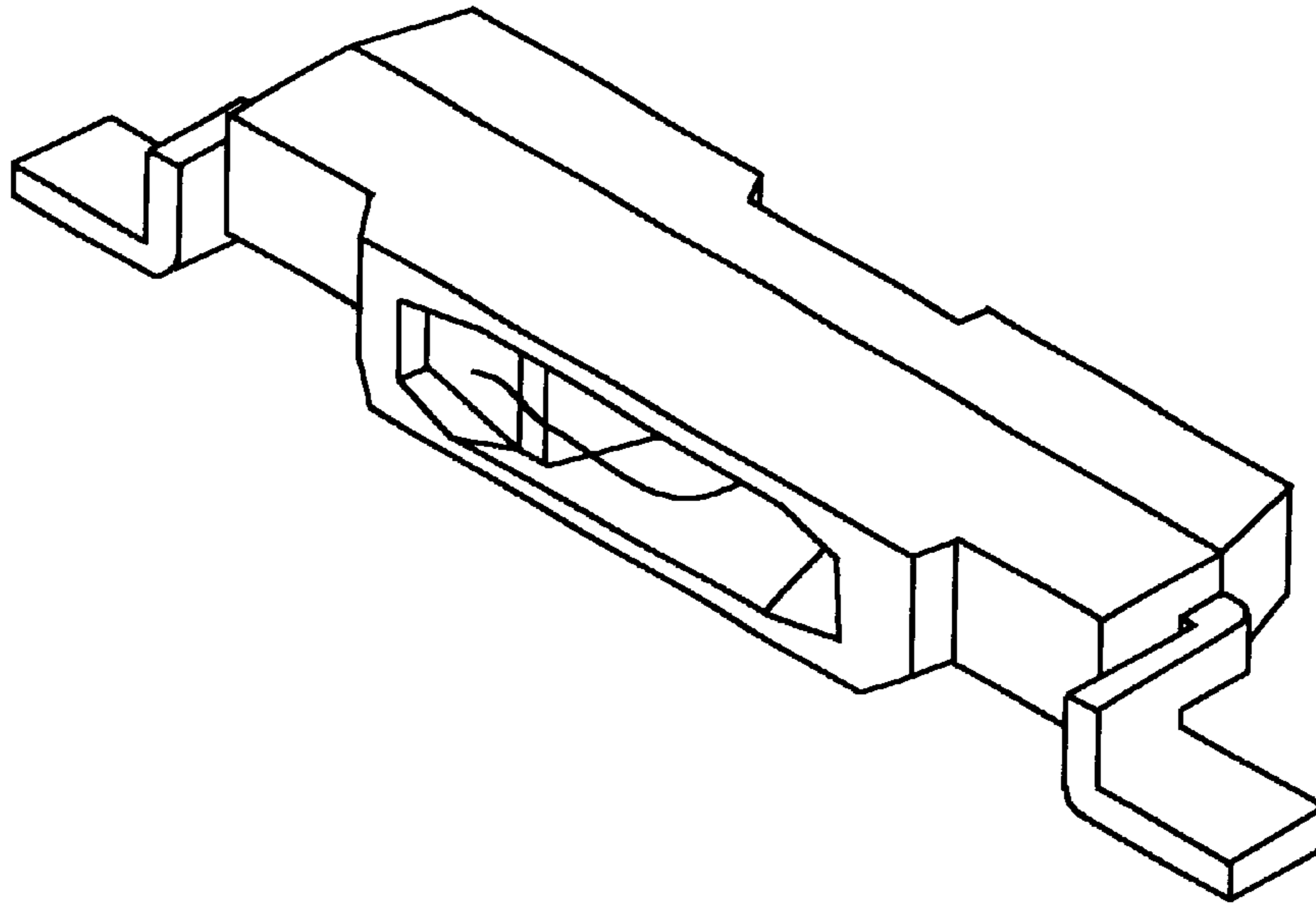


FIG. 2

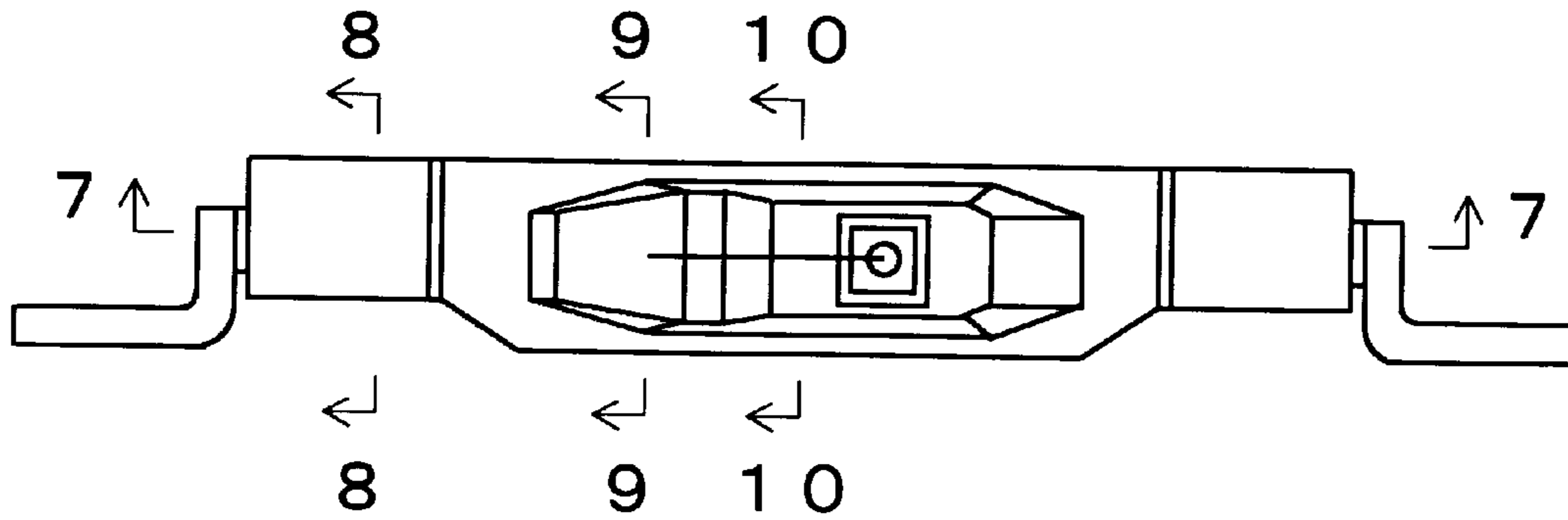


FIG. 3

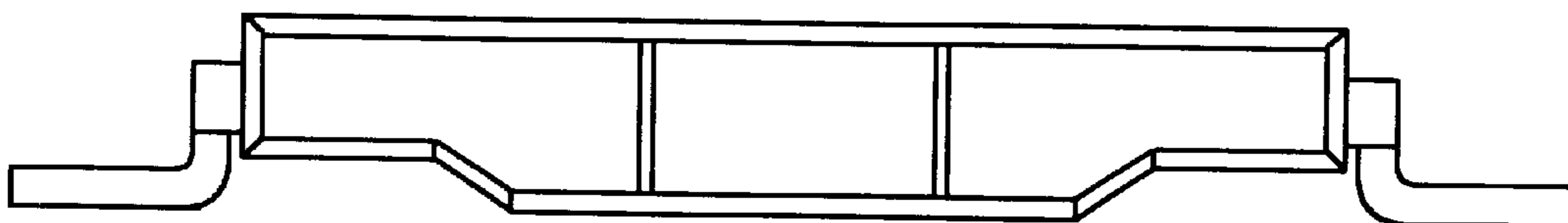


FIG. 4

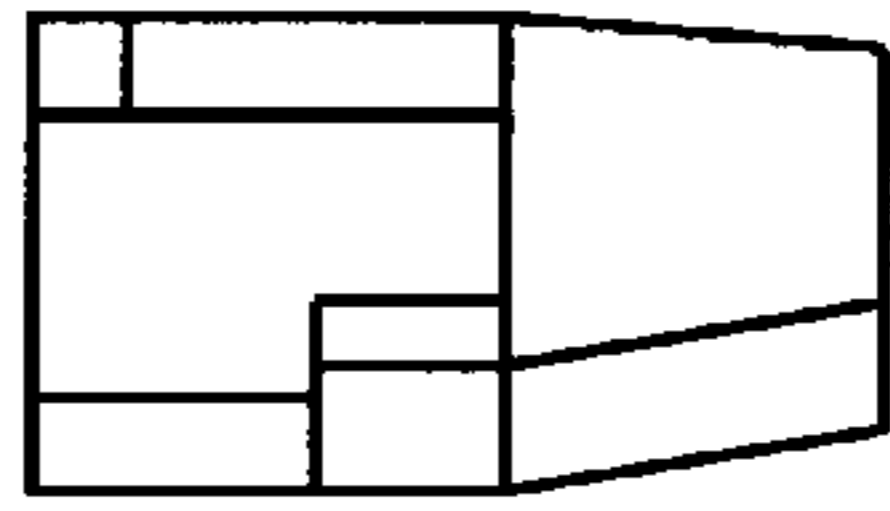


FIG. 5

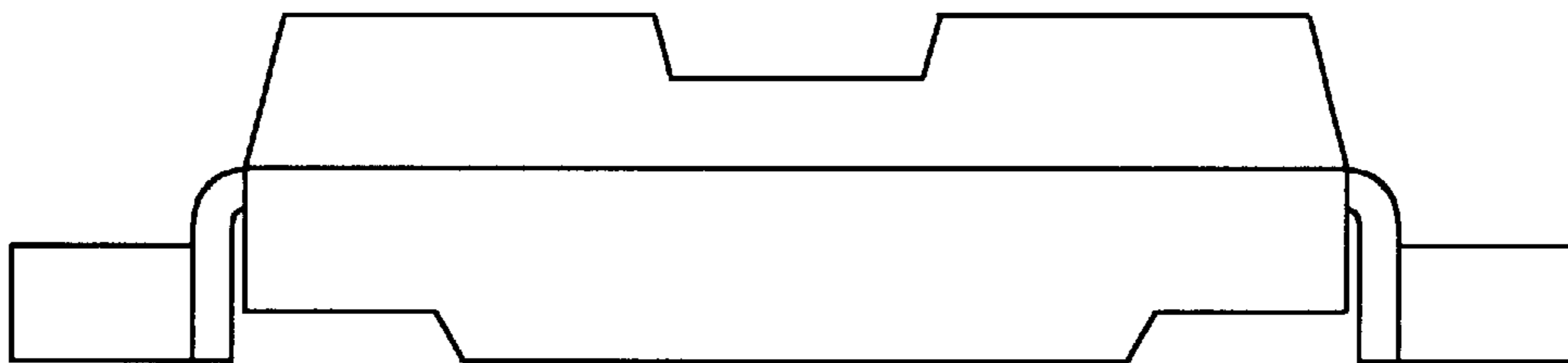


FIG. 6

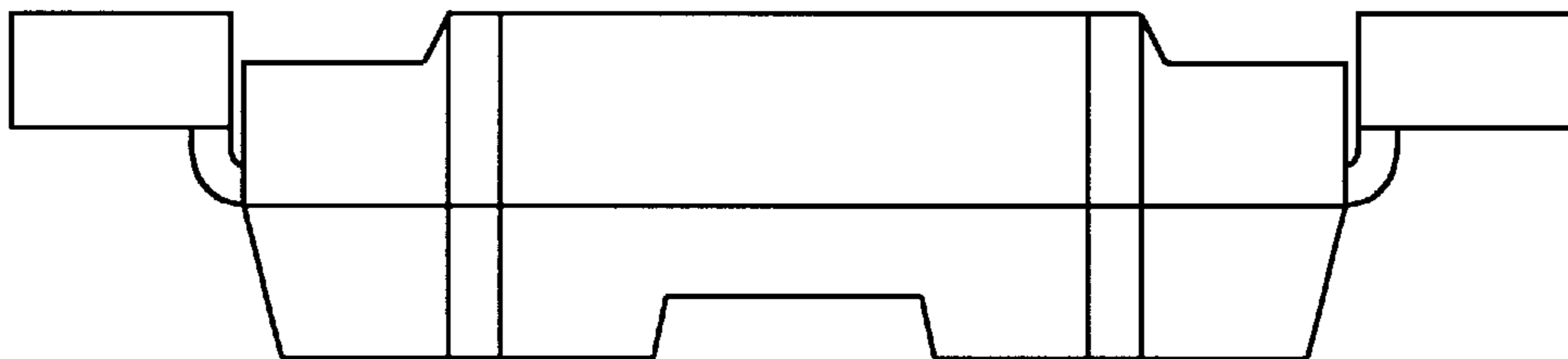


FIG. 7

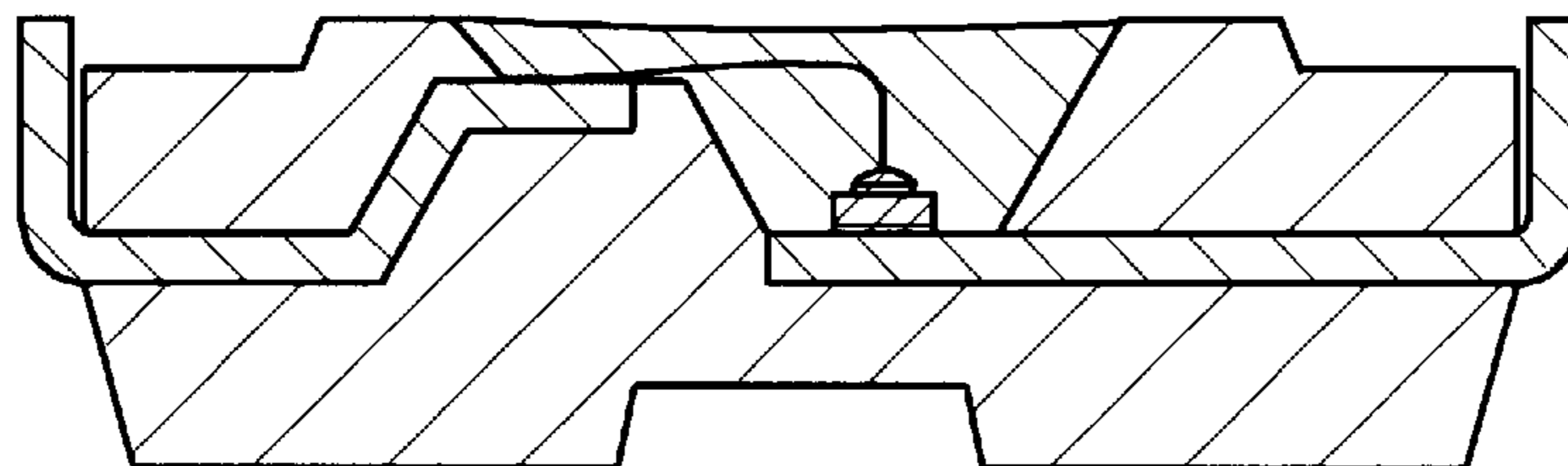


FIG. 8

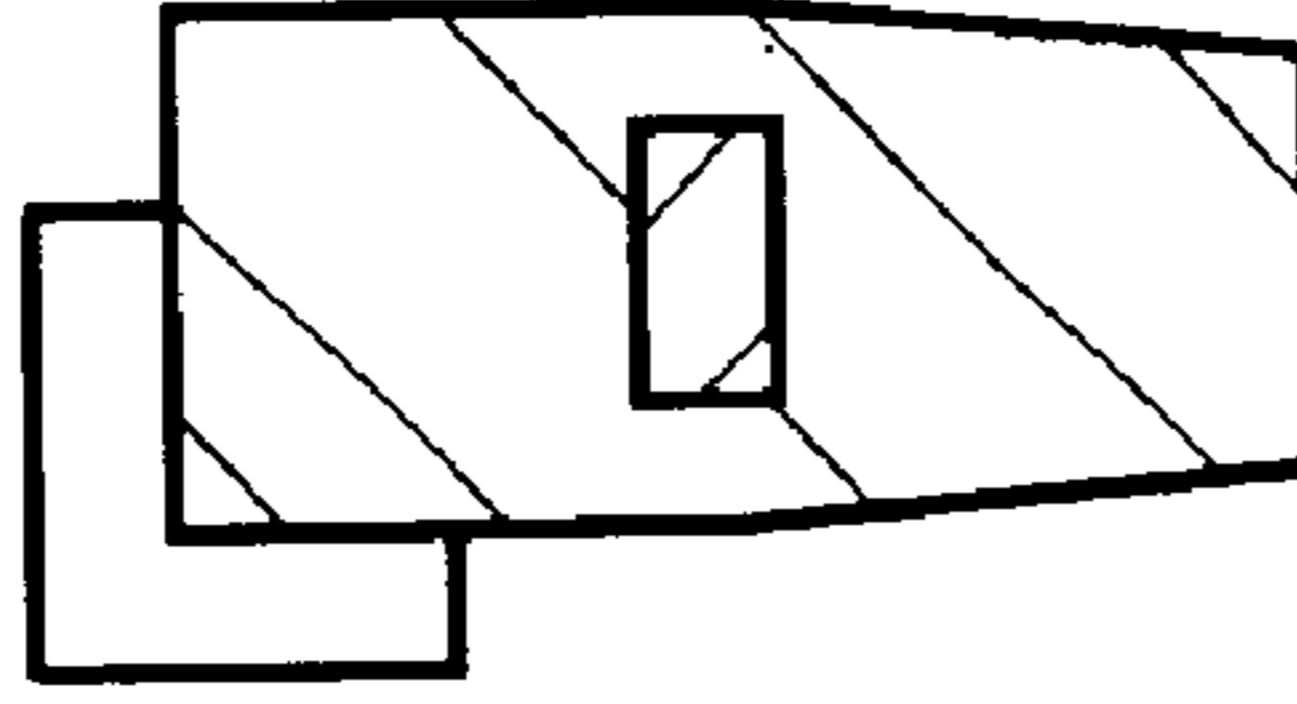


FIG. 9

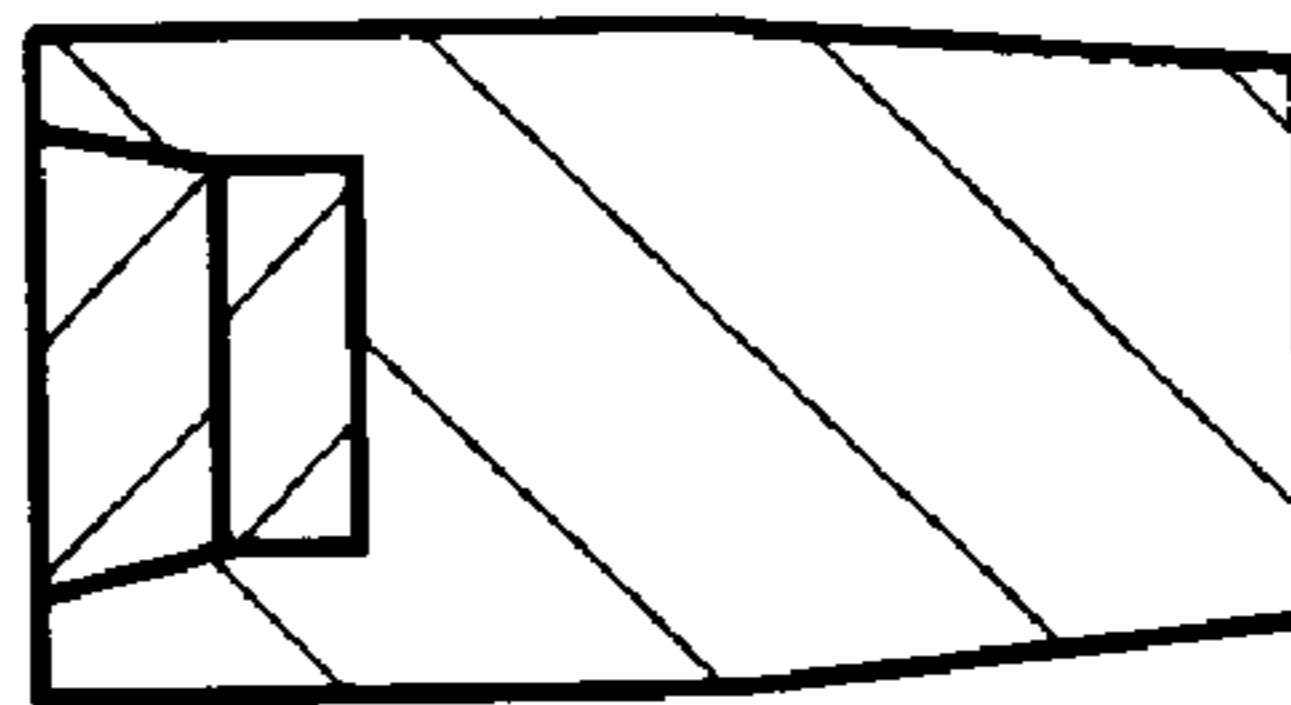


FIG. 10

