



US00D529876S

(12) **United States Design Patent**  
**Nohara et al.**

(10) **Patent No.:** **US D529,876 S**

(45) **Date of Patent:** **\*\* \*Oct. 10, 2006**

(54) **ARC TUBE FOR A HIGH INTENSITY DISCHARGE LAMP**

(75) Inventors: **Hiroshi Nohara**, Nishinomiya (JP);  
**Nobuyoshi Takeuchi**, Ibaraki (JP);  
**Mikio Miura**, Takatsuki (JP); **Atsushi Utsubo**, Toyonaka (JP); **Yukiya Kanazawa**, Osaka (JP)

(73) Assignee: **Matsushita Electric Industrial Co., Ltd.**, Osaka (JP)

(\*) Notice: This patent is subject to a terminal disclaimer.

(\*\*) Term: **14 Years**

(21) Appl. No.: **29/226,631**

(22) Filed: **Mar. 30, 2005**

(30) **Foreign Application Priority Data**

Oct. 29, 2004 (JP) ..... 2004-033103  
Oct. 29, 2004 (JP) ..... 2004-033117

(51) **LOC (8) Cl.** ..... **13-03**

(52) **U.S. Cl.** ..... **D13/180**

(58) **Field of Classification Search** ..... D13/180;  
D26/2; 264/6, 632, 636; 313/12, 15, 25, 51,  
313/113, 493, 571, 620, 623, 625, 634; 315/47,  
315/56, 73; 361/760, 807; 362/263; 445/21,  
445/26

See application file for complete search history.

(56) **References Cited**

**U.S. PATENT DOCUMENTS**

3,898,504 A \* 8/1975 Akutsu et al. .... 313/620  
4,316,122 A \* 2/1982 Yamazaki et al. .... 315/74  
4,387,067 A \* 6/1983 Kobayashi et al. .... 264/636

4,808,882 A \* 2/1989 Parker et al. .... 313/625  
4,897,576 A \* 1/1990 Iida et al. .... 315/73  
4,910,427 A \* 3/1990 Aelterman et al. .... 313/25  
4,939,408 A \* 7/1990 Gibson, III ..... 313/25  
4,975,622 A \* 12/1990 Ravi ..... 315/56  
4,977,346 A \* 12/1990 Gibson et al. .... 313/25  
5,709,450 A \* 1/1998 Francis et al. .... 362/546  
5,793,160 A \* 8/1998 Losco ..... 313/623  
2002/0021093 A1 \* 2/2002 Kakisaka et al. .... 313/634

\* cited by examiner

*Primary Examiner*—Selina Sikder

(74) *Attorney, Agent, or Firm*—Brinks Hofer Gilson & Lione

(57) **CLAIM**

We claim the ornamental design for an arc tube for a high intensity discharge lamp, as shown and described.

**DESCRIPTION**

FIG. 1 is a front view of a first embodiment of an arc tube for a high intensity discharge lamp of the present invention, wherein the rear, top, and bottom views are mirror images thereof;

FIG. 2 is a right side view, wherein the left side view is a mirror image thereof;

FIG. 3 is a front view of a second embodiment of an arc tube of the present invention;

FIG. 4 is a rear view thereof;

FIG. 5 is a top view thereof;

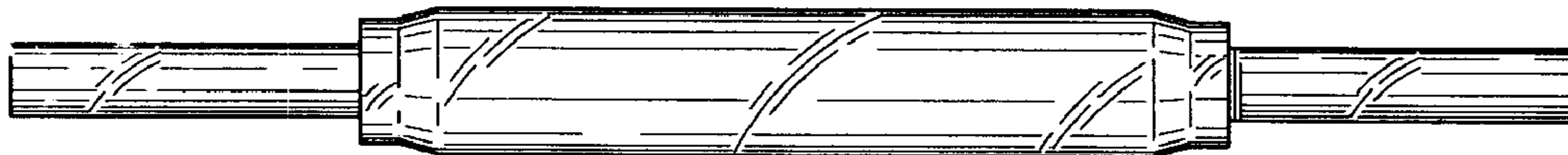
FIG. 6 is a bottom view thereof;

FIG. 7 is a left side view thereof; and,

FIG. 8 is a right side view thereof.

The ornamental design which is claimed is shown in solid lines in the drawings. Any broken lines in the drawings are for illustrative purposes only and form no part of the claimed design.

**1 Claim, 8 Drawing Sheets**





**FIG. 1**



**FIG. 2**

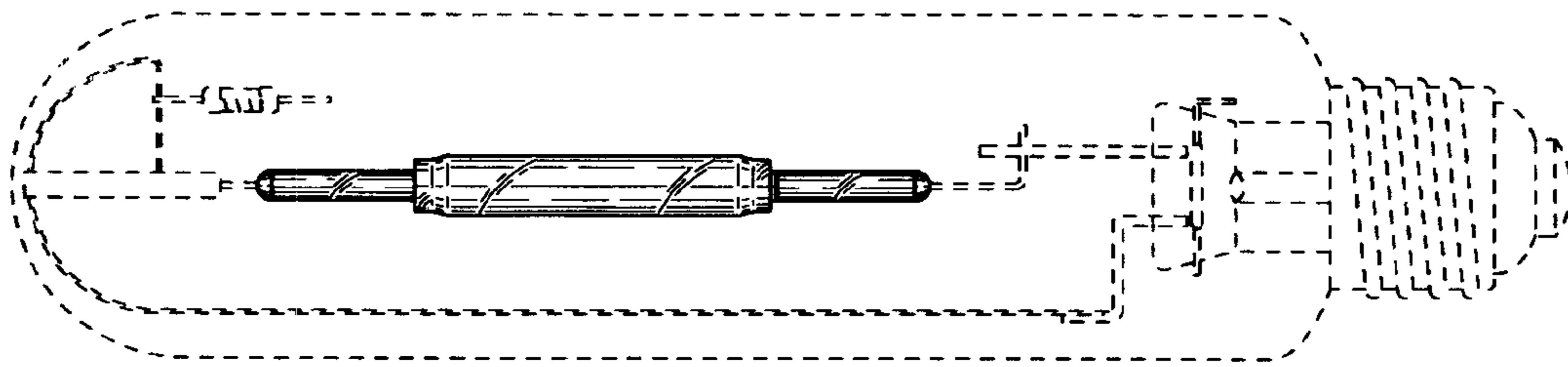
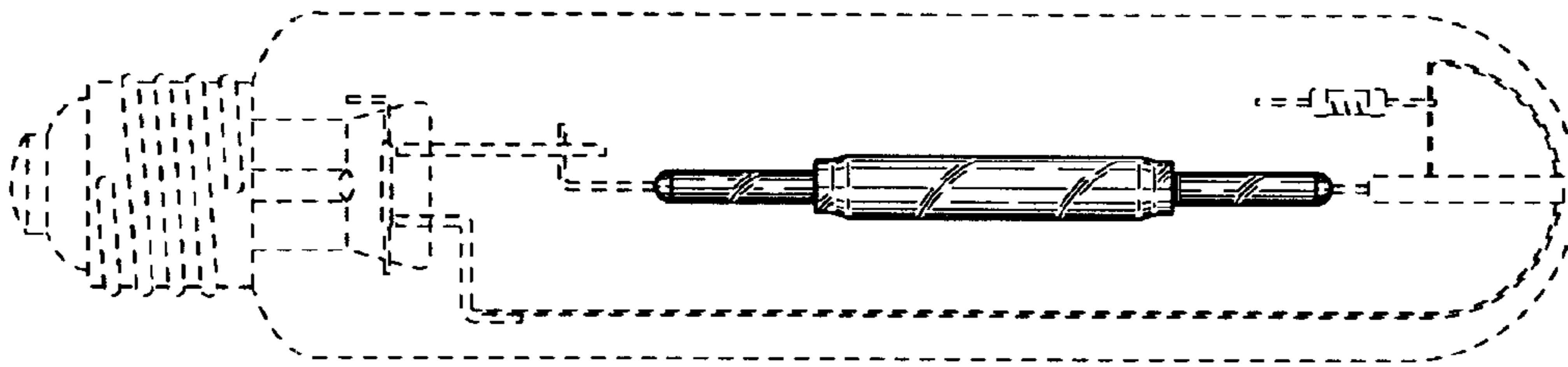
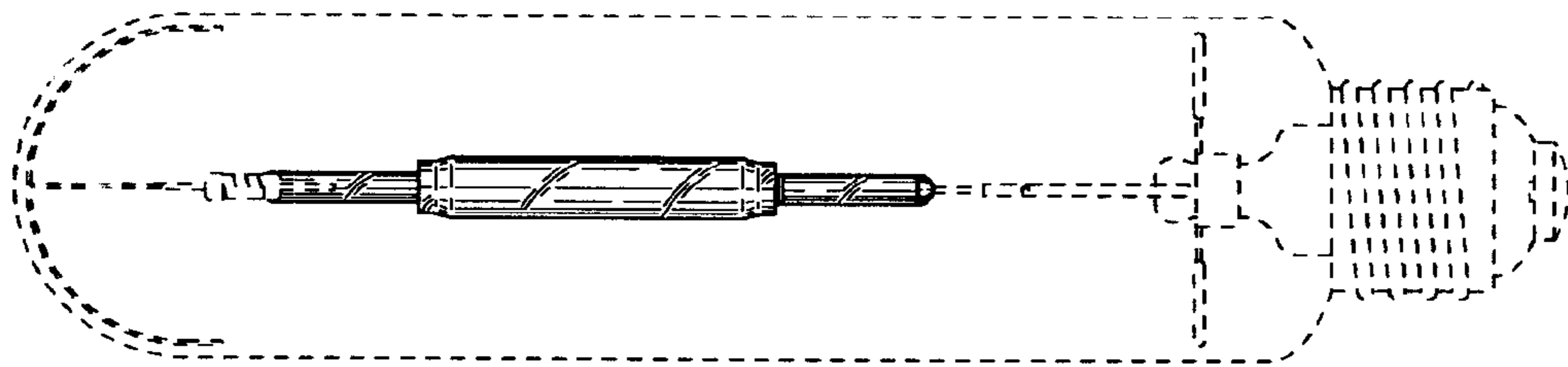


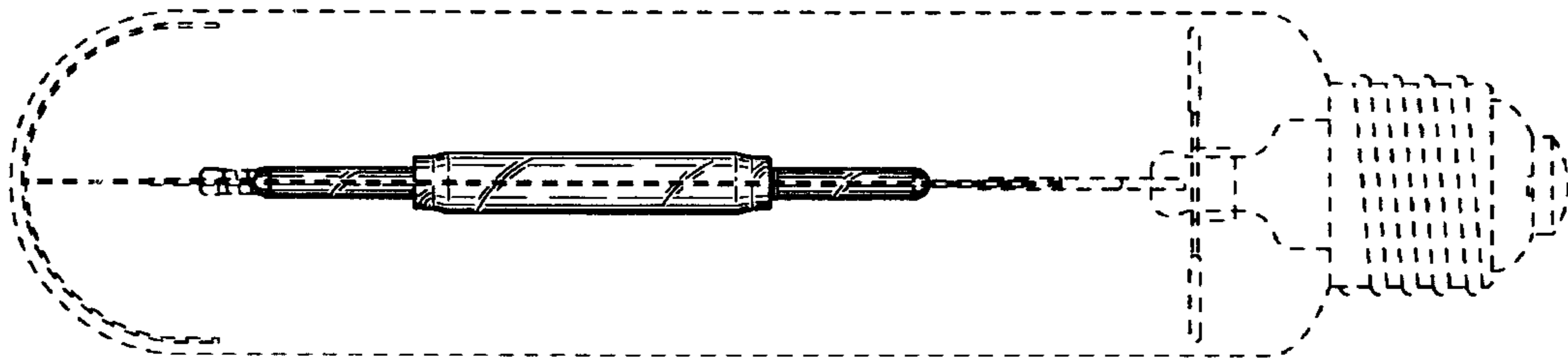
FIG. 3



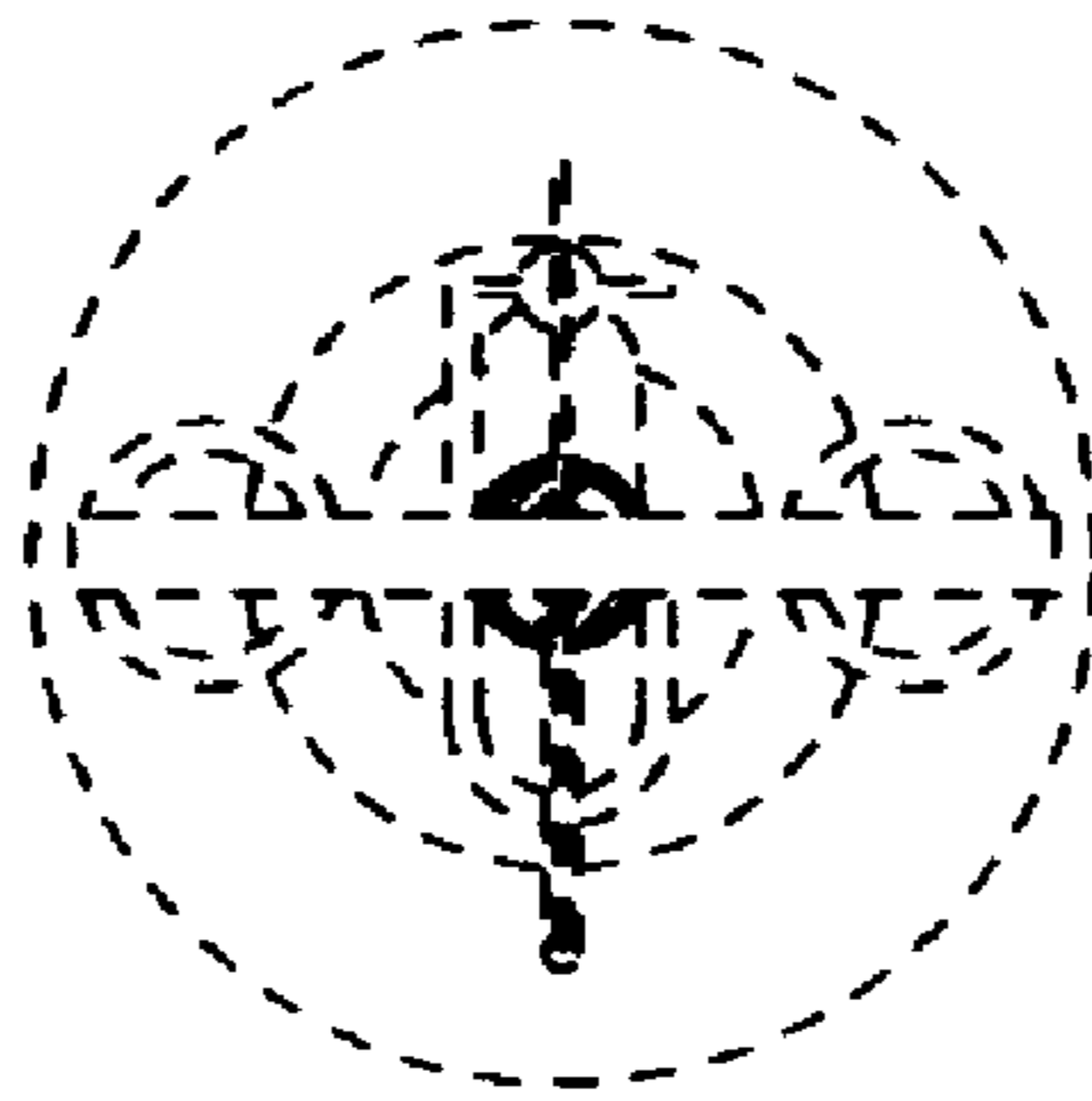
**FIG. 4**



**FIG. 5**

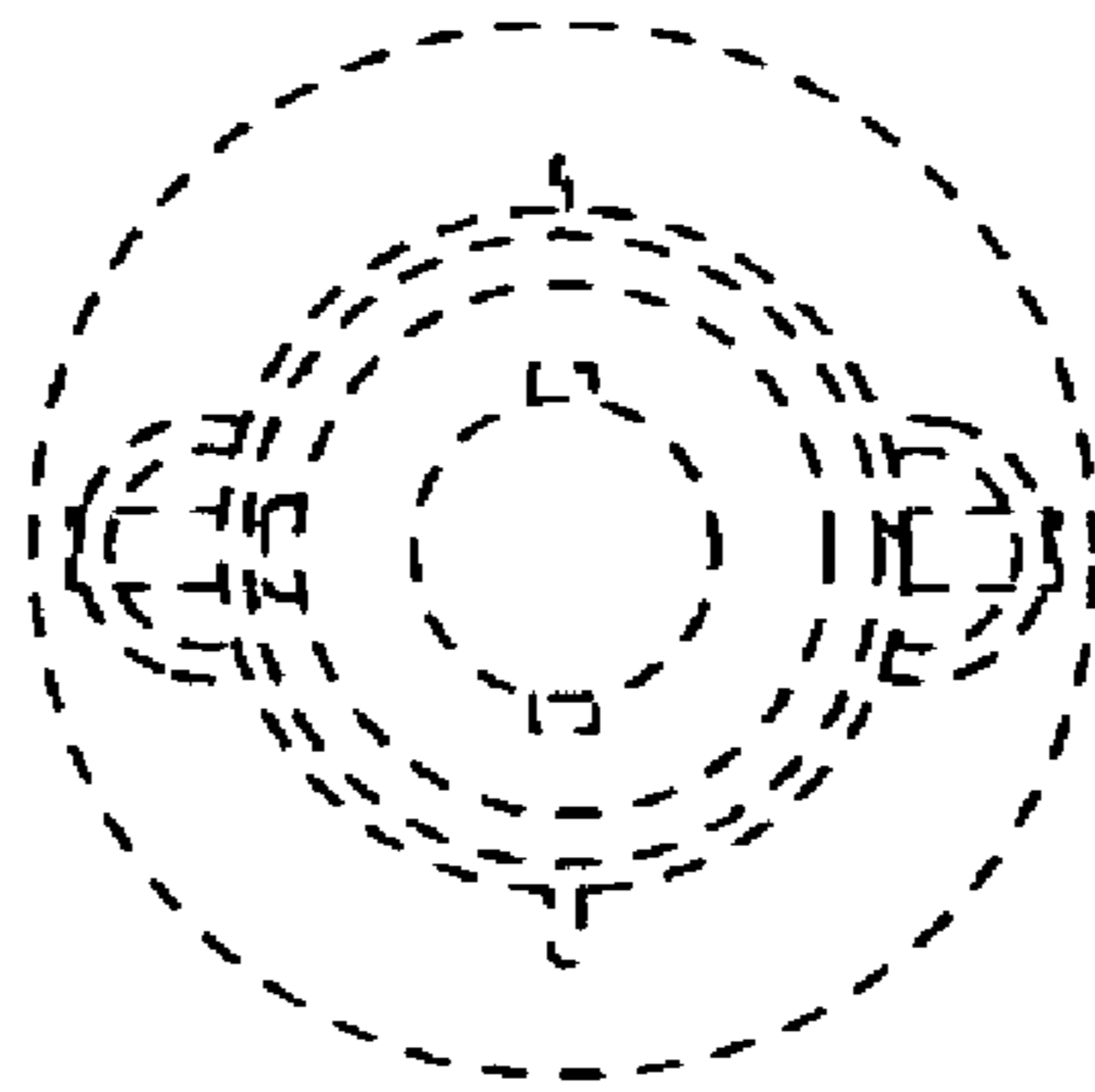


**FIG. 6**



**FIG. 7**





**FIG. 8**