



US00D529873S

(12) **United States Design Patent**  
**He et al.**

(10) **Patent No.:** **US D529,873 S**  
(45) **Date of Patent:** **\*\* Oct. 10, 2006**

(54) **HEAT SINK**

(75) Inventors: **Li He**, Shenzhen (CN); **Tsung-Lung Lee**, Tu-Cheng (TW)

(73) Assignee: **Foxconn Technology Co., Ltd.**, Taipei Hsien (TW)

(\*\*) Term: **14 Years**

(21) Appl. No.: **29/239,116**

(22) Filed: **Sep. 26, 2005**

(30) **Foreign Application Priority Data**

May 14, 2005 (CN) ..... 200530059440

(51) **LOC (8) Cl.** ..... **13-03**

(52) **U.S. Cl.** ..... **D13/179**

(58) **Field of Classification Search** ..... D13/179;  
D23/370; 165/80.3, 104.33, 121, 122, 146,  
165/180, 185; 174/16.3; 257/706, 707, 718-722;  
361/271, 274.3, 695, 697, 700, 702, 704,  
361/709-711

See application file for complete search history.

(56) **References Cited**

**U.S. PATENT DOCUMENTS**

6,373,701 B1 \* 4/2002 Lo ..... 361/704  
6,450,248 B1 \* 9/2002 Chang ..... 165/80.3

6,450,249 B1 \* 9/2002 Liu ..... 165/80.3  
D465,462 S \* 11/2002 Hsieh ..... D13/179  
D474,754 S \* 5/2003 Tan et al. .... D13/179  
6,621,704 B1 \* 9/2003 Liu ..... 361/704  
D481,017 S \* 10/2003 Hsia et al. .... D13/179  
2003/0026075 A1 \* 2/2003 Lee ..... 361/697  
2005/0072555 A1 \* 4/2005 Sheng-Hsiung ..... 165/80.3

\* cited by examiner

*Primary Examiner*—Selina Sikder

(74) *Attorney, Agent, or Firm*—Jeffrey T. Knapp

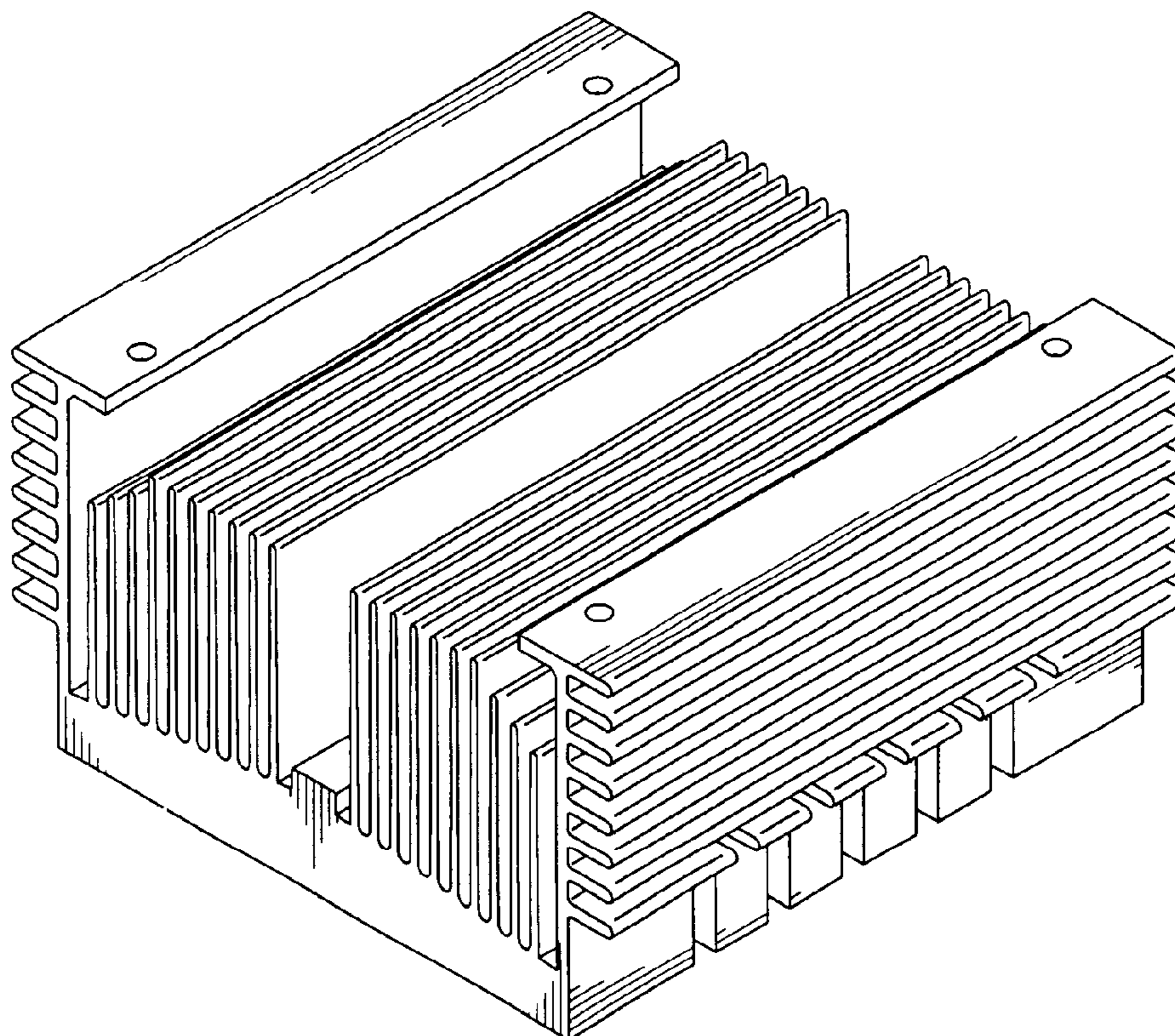
(57) **CLAIM**

The ornamental design for a heat sink, as shown and described.

**DESCRIPTION**

FIG. 1 is a perspective view of a heat sink of our new design; FIG. 2 is a front elevational view thereof; FIG. 3 is a rear elevational view thereof; FIG. 4 is a left side elevational view thereof; FIG. 5 is a right side elevational view thereof; FIG. 6 is a top plan view thereof; FIG. 7 is a bottom plan view thereof; and, FIG. 8 shows the heat sink of FIG. 1 having a fan mounted thereon, wherein the fan is shown for illustrative purpose only and forms no part of the claimed design.

**1 Claim, 5 Drawing Sheets**



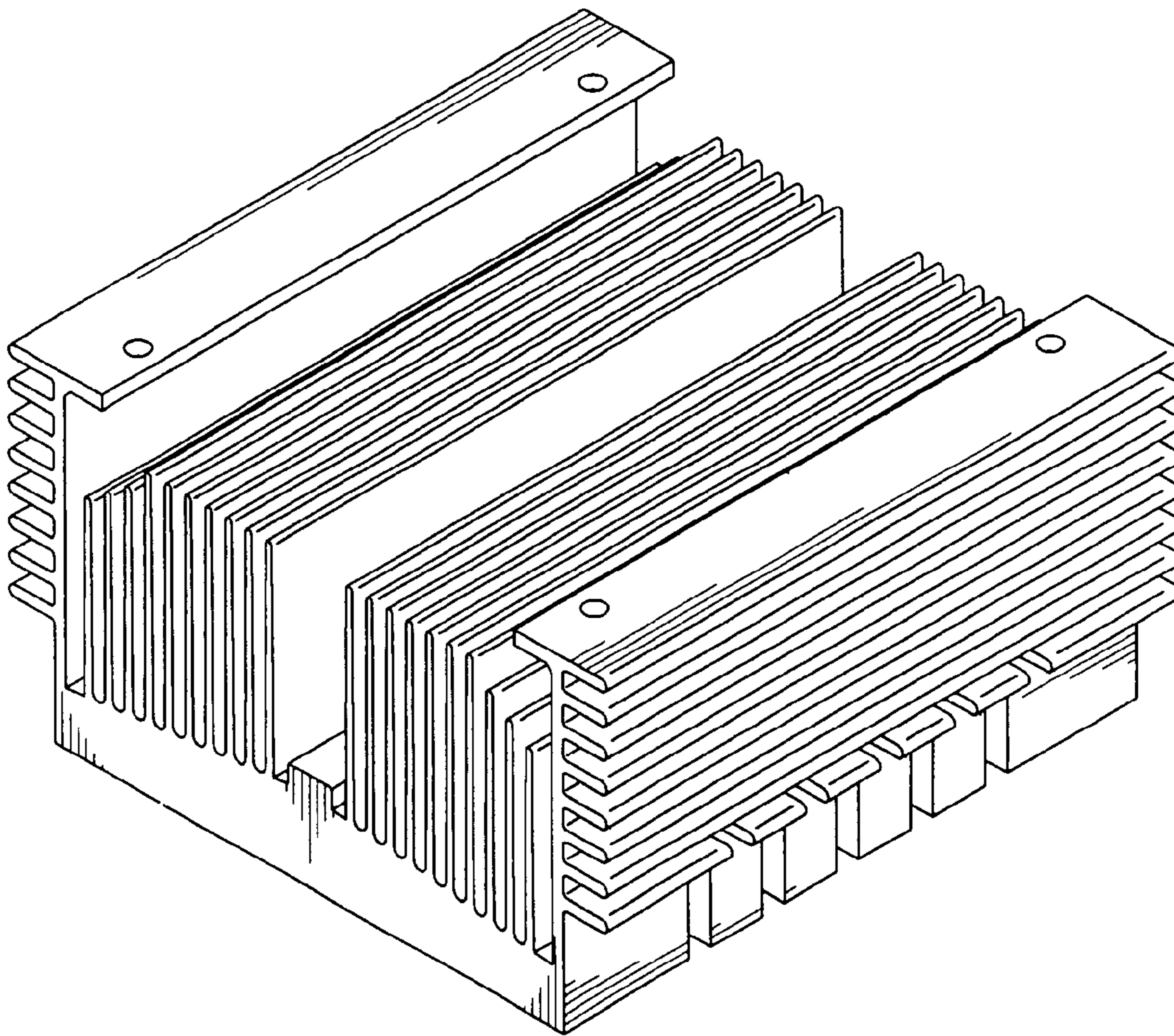


FIG. 1

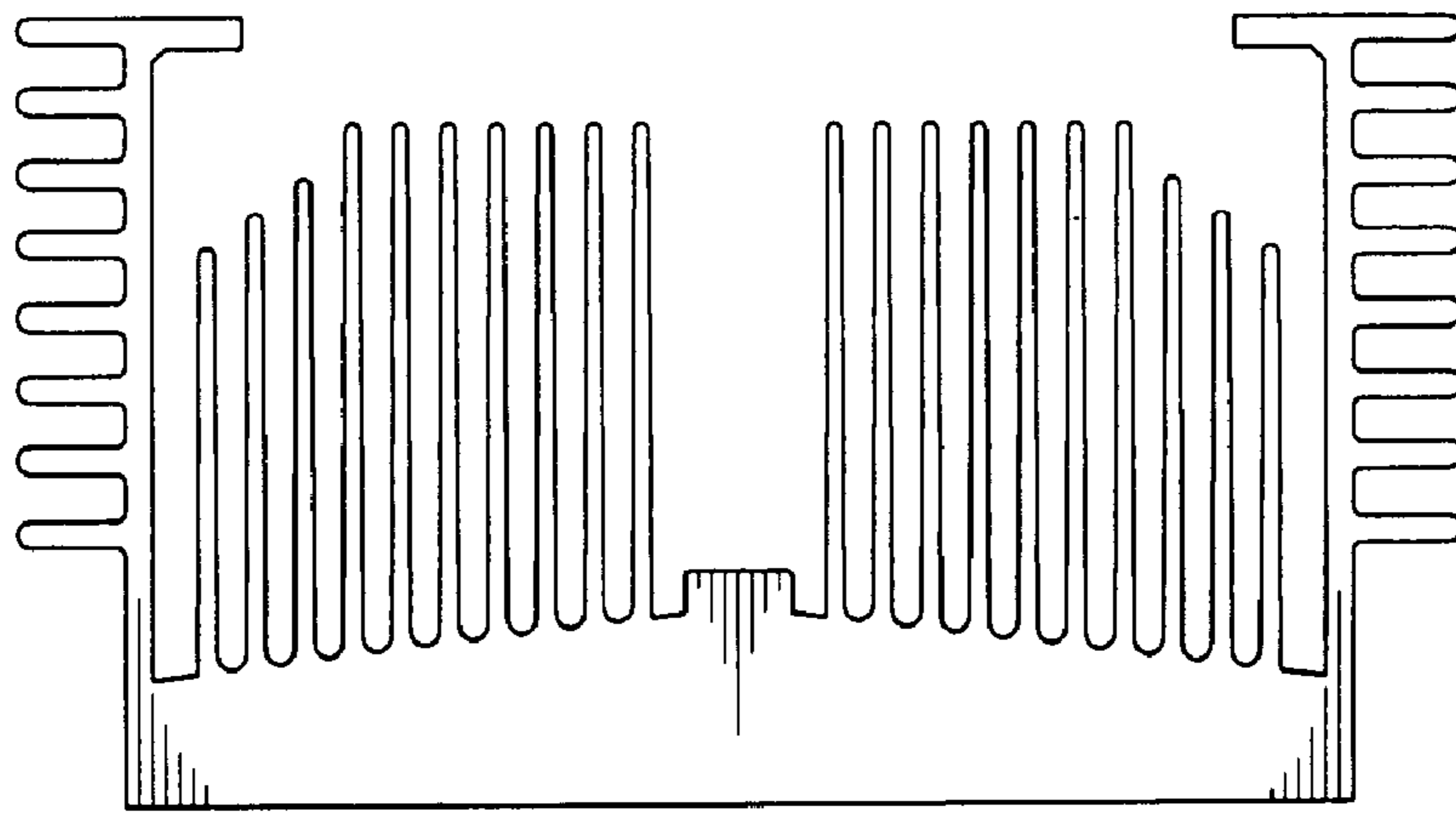


FIG. 2

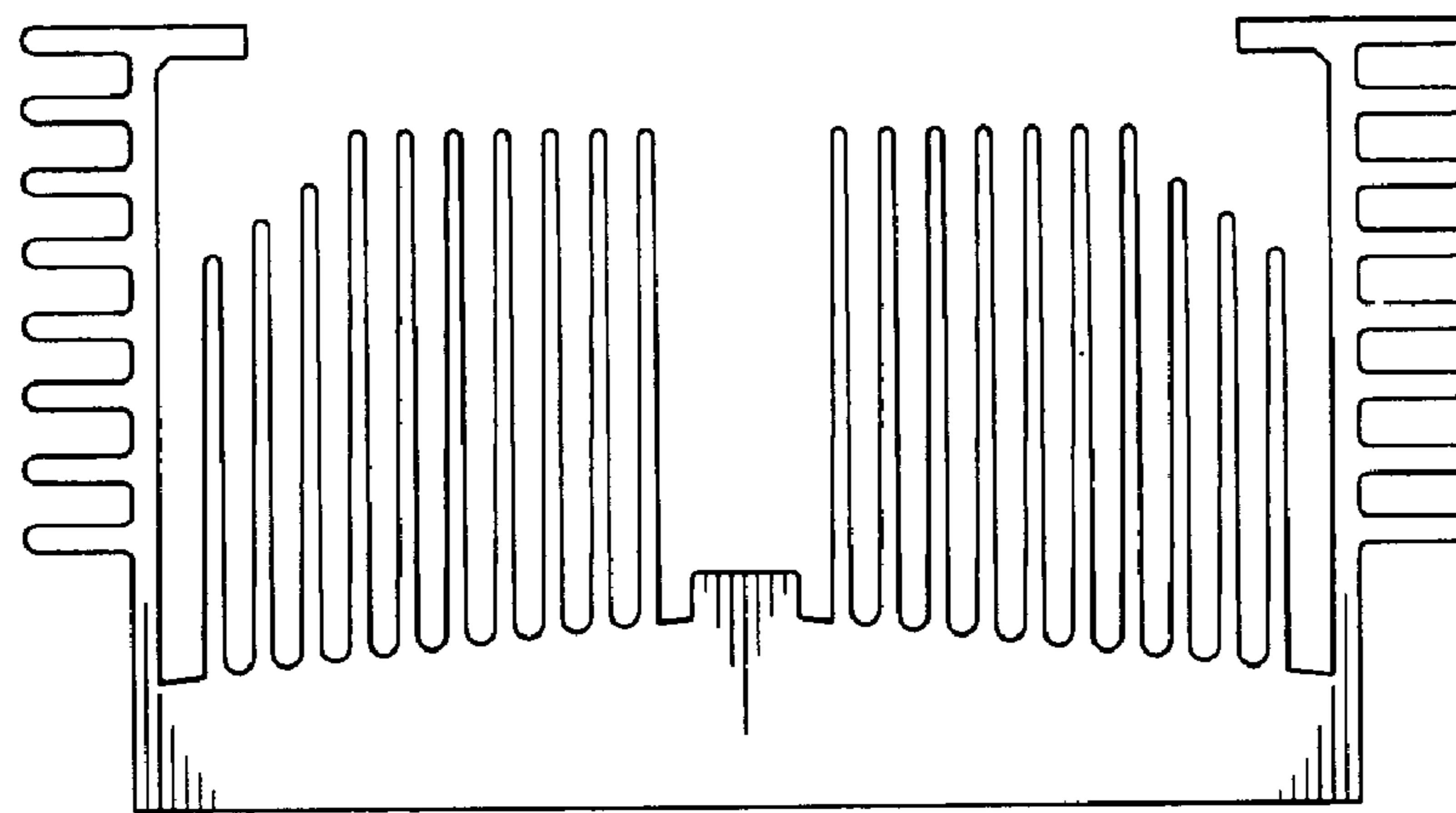


FIG. 3

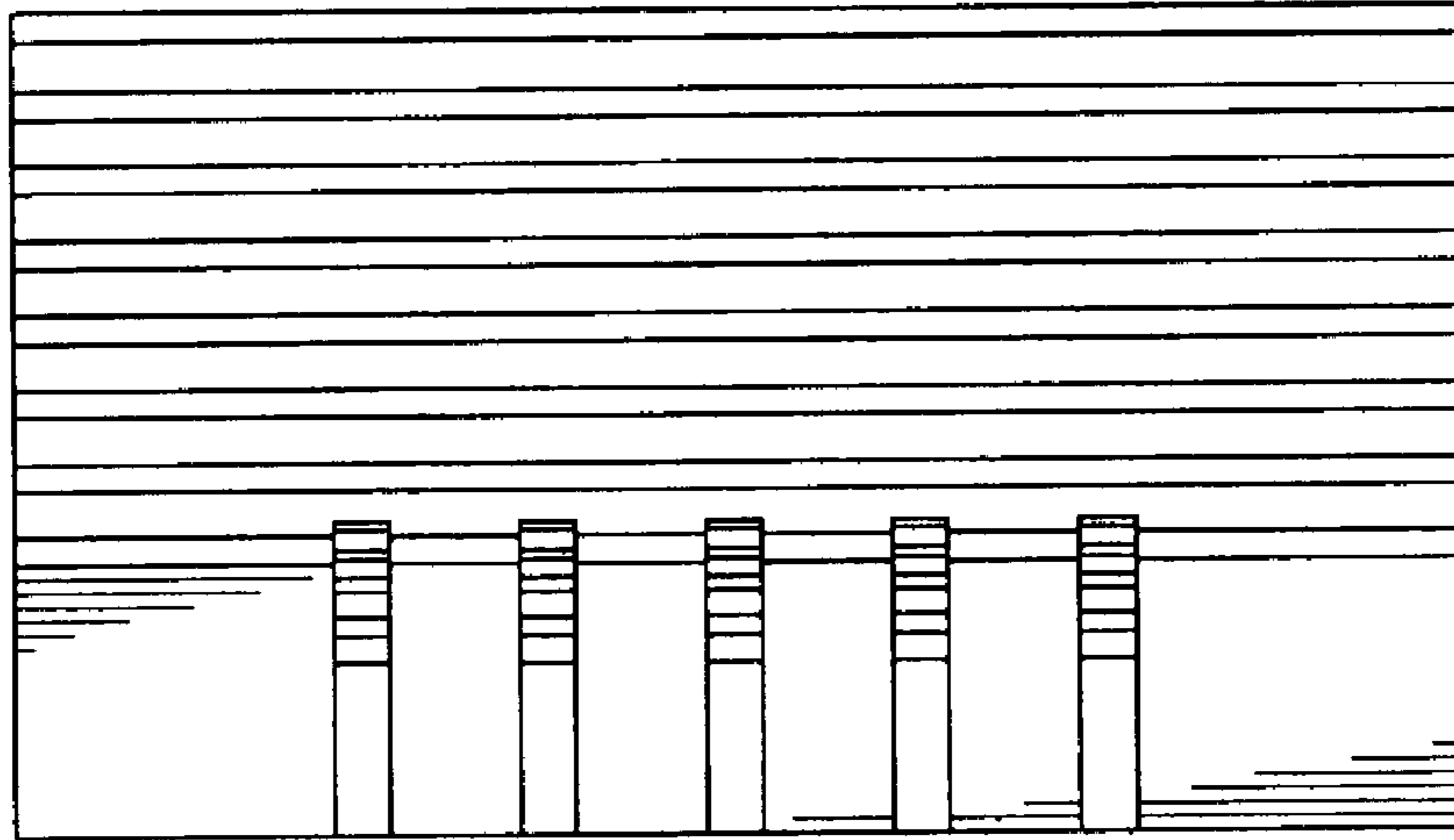


FIG. 4

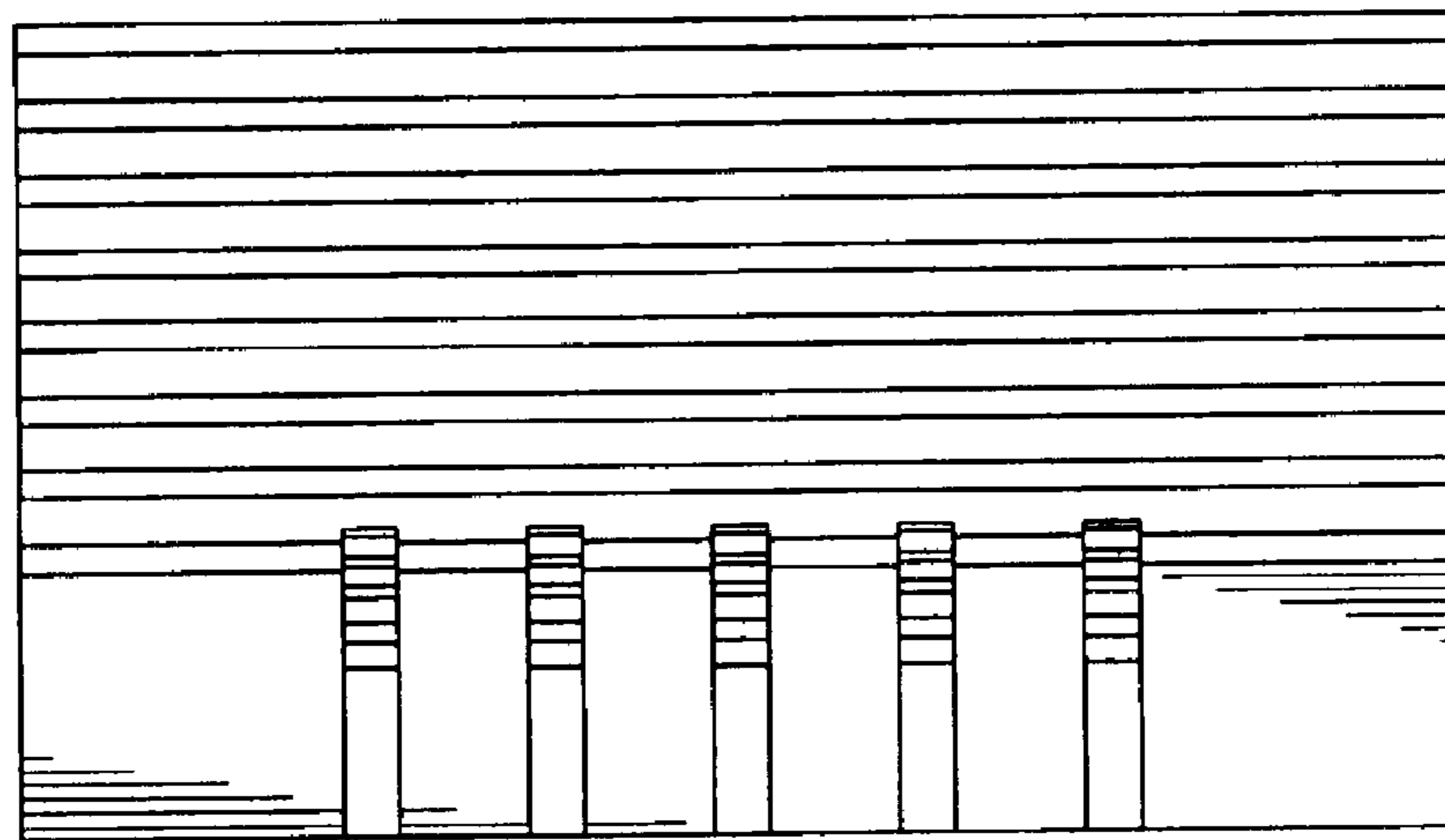


FIG. 5

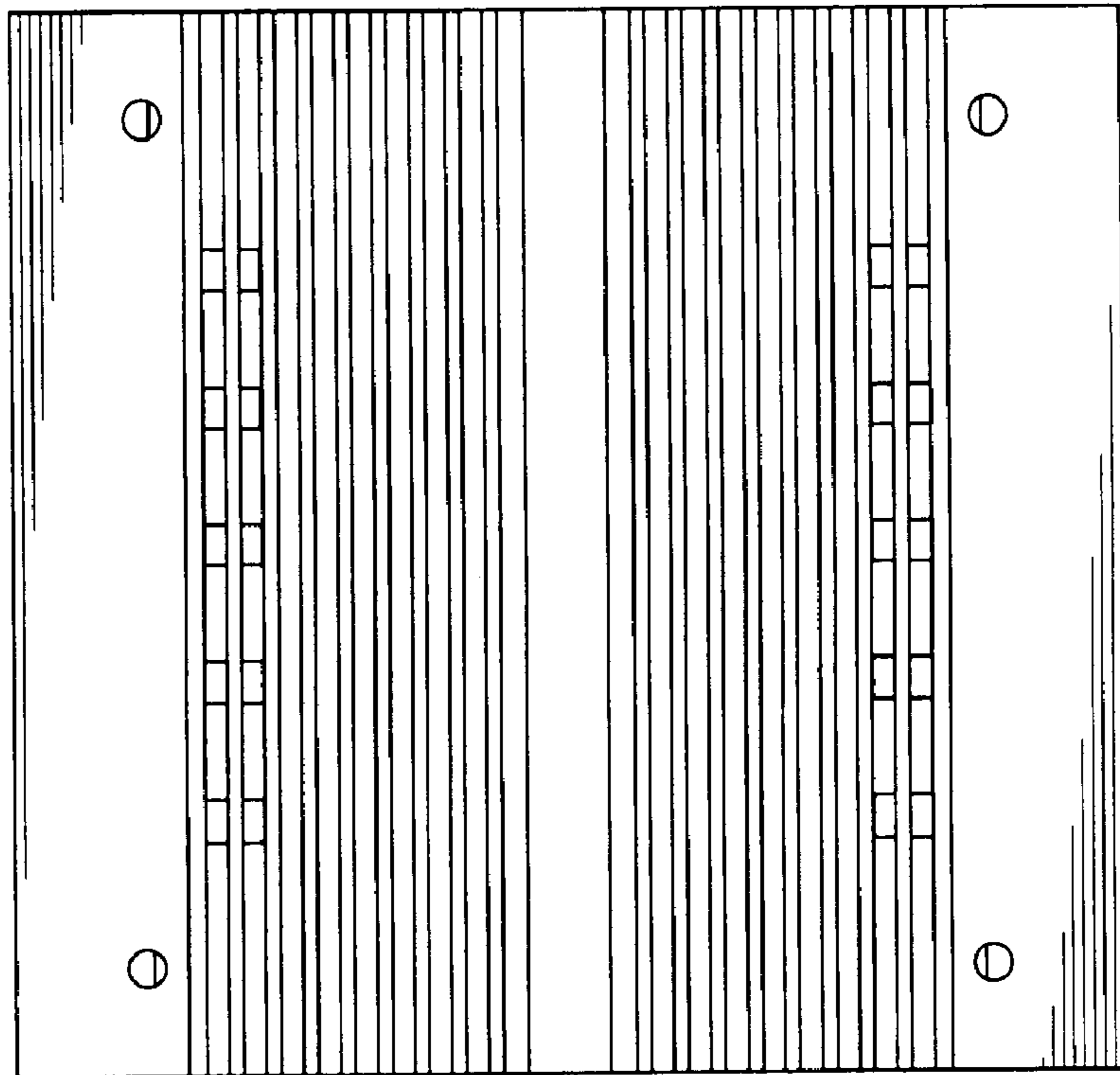


FIG. 6

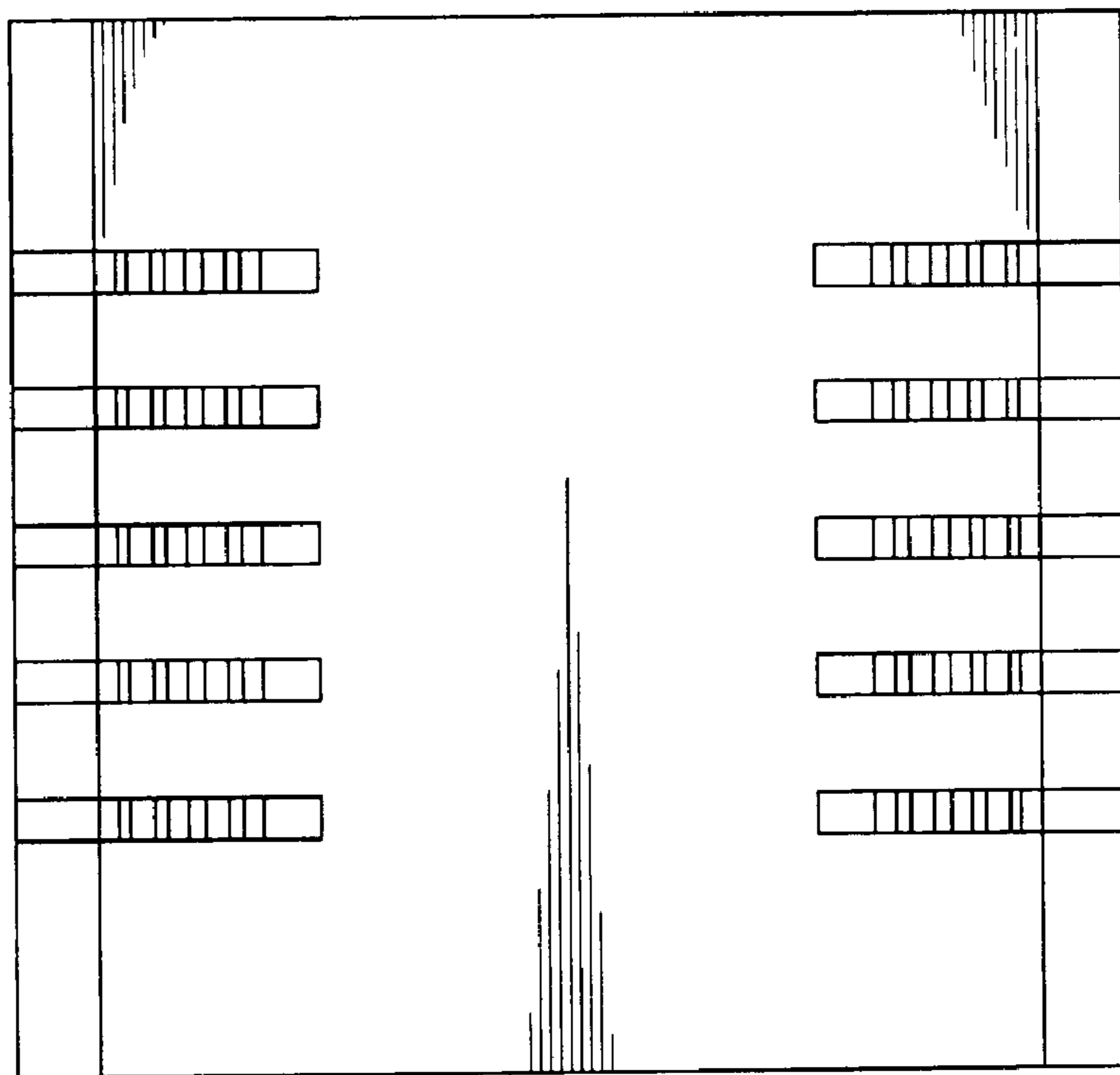


FIG. 7

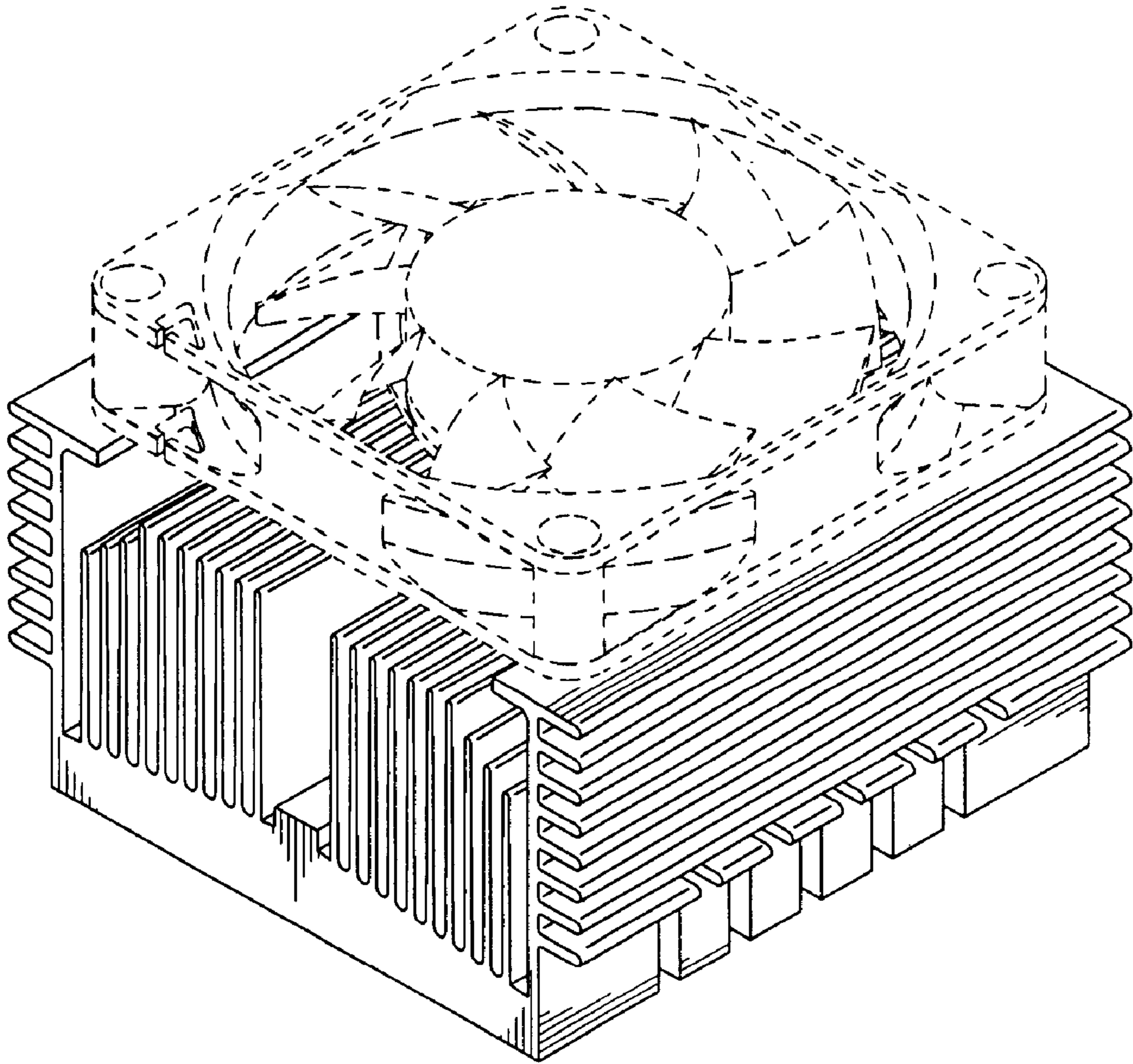


FIG. 8