



US00D529872S

(12) **United States Design Patent**
Weitgasser et al.

(10) **Patent No.:** **US D529,872 S**

(45) **Date of Patent:** **** Oct. 10, 2006**

(54) **REMOTE CONTROL**

(75) Inventors: **Erwin Weitgasser**, Salzburg (AT);
Detlef Magarier, Salzburg (AT);
Ferdinand Maier, Neumarkt (AT)

(73) Assignee: **Ruwido Austria Gesellschaft m.b.H.**,
Neumarkt am Wallersee (AT)

(**) **Term:** **14 Years**

(21) **Appl. No.:** **29/241,181**

(22) **Filed:** **Oct. 25, 2005**

(51) **LOC (8) Cl.** **13-03**

(52) **U.S. Cl.** **D13/168**

(58) **Field of Classification Search** D13/168;
D10/104, 106; D14/218, 247; 340/825.22,
340/825.24, 825.25, 825.31, 825.36, 825.69,
340/825.71, 825.72; 341/20, 22, 23, 34, 173,
341/174, 176; 345/156, 168, 169; 348/734;
455/92, 95, 100, 128, 151.1–151.4, 325–355;
463/39; 700/17, 19, 20, 281

See application file for complete search history.

(56) **References Cited**

U.S. PATENT DOCUMENTS

D370,663 S * 6/1996 Swain et al. D13/168

D375,057 S * 10/1996 Heun D10/104
D408,821 S * 4/1999 Takahashi D14/218
6,075,575 A * 6/2000 Schein et al. 348/734
D427,583 S * 7/2000 Kazama D14/218
D435,544 S * 12/2000 Gioscia D14/218
D450,662 S * 11/2001 Kwok D13/168
6,819,864 B1 * 11/2004 Fujita et al. 386/46
D514,526 S * 2/2006 Chen et al. D13/168
D515,041 S * 2/2006 Yun et al. D13/168

* cited by examiner

Primary Examiner—Selina Sikder

(74) *Attorney, Agent, or Firm*—Senniger Powers

(57) **CLAIM**

The ornamental design for a remote control, as shown and described.

DESCRIPTION

FIG. 1 is a front perspective view of a remote control showing our new design.

FIG. 2 is a rear perspective view thereof.

FIG. 3 is a top plan view thereof.

FIG. 4 is a bottom plan view thereof.

FIG. 5 is a front elevation view thereof.

FIG. 6 is a left side elevational view thereof; and,

FIG. 7 is a right side elevational view thereof.

1 Claim, 7 Drawing Sheets

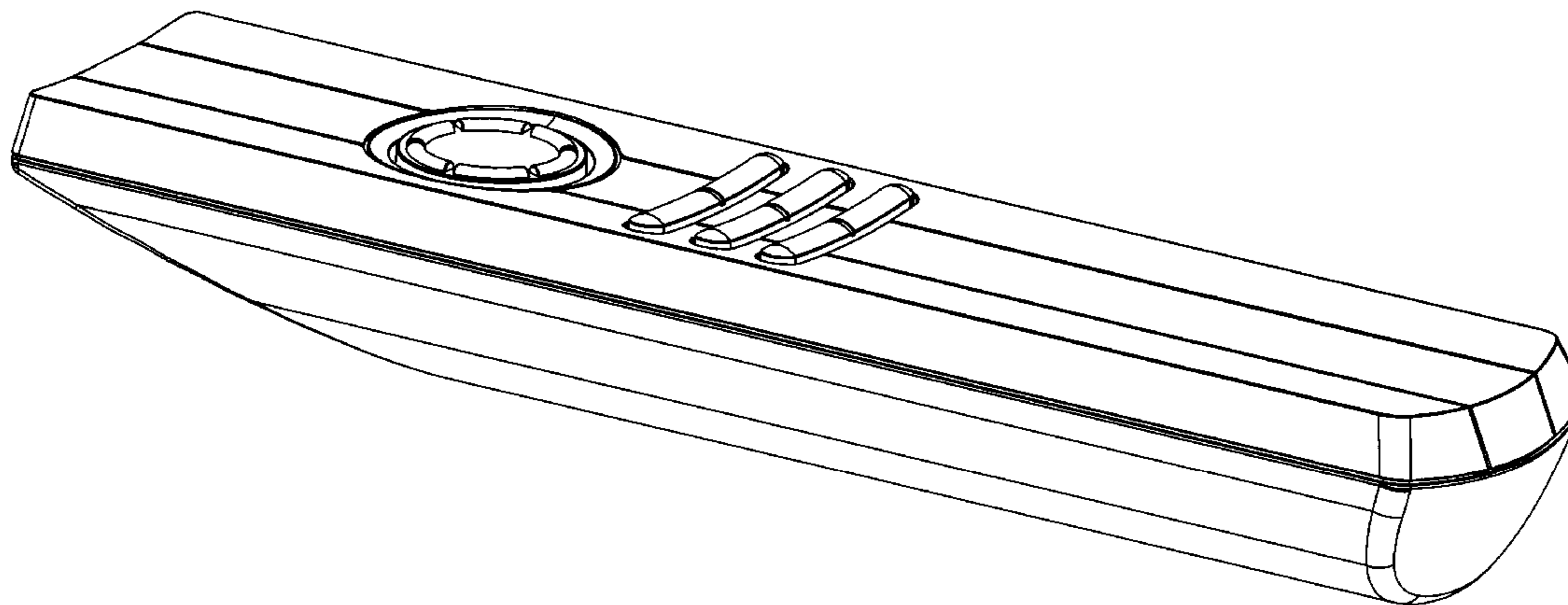


FIG. 1

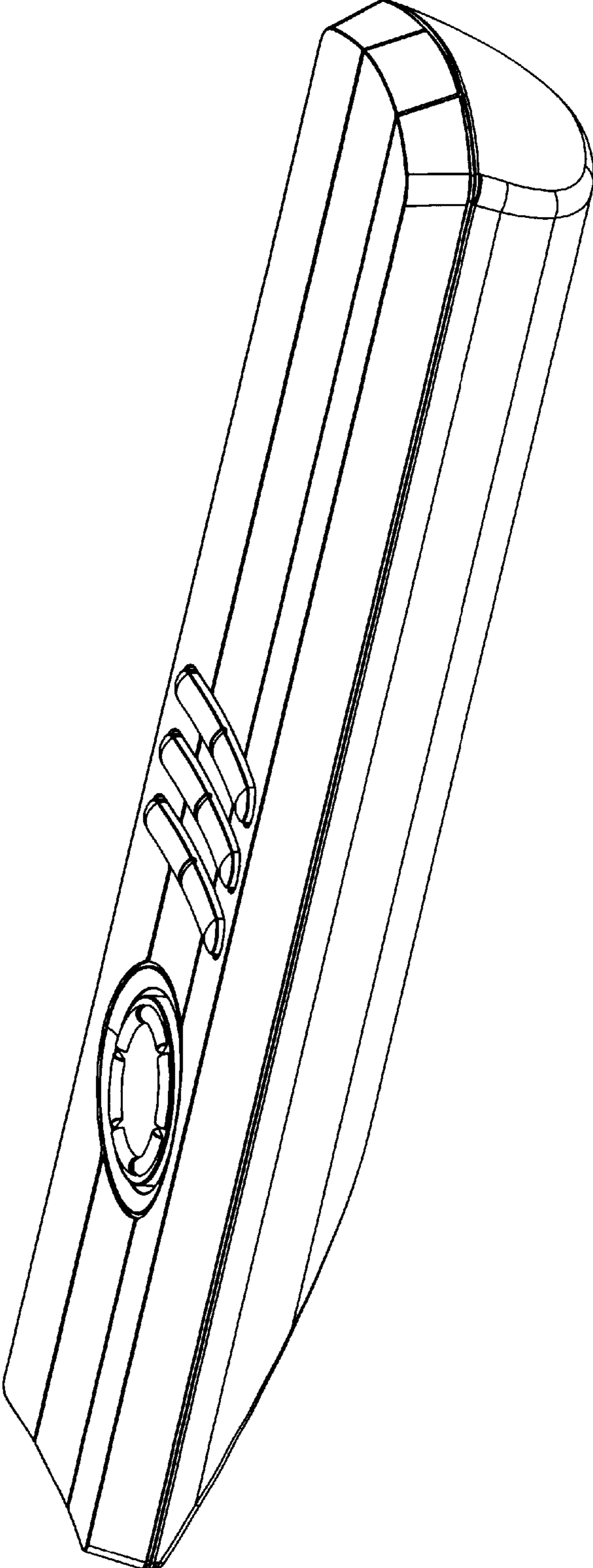


FIG. 2

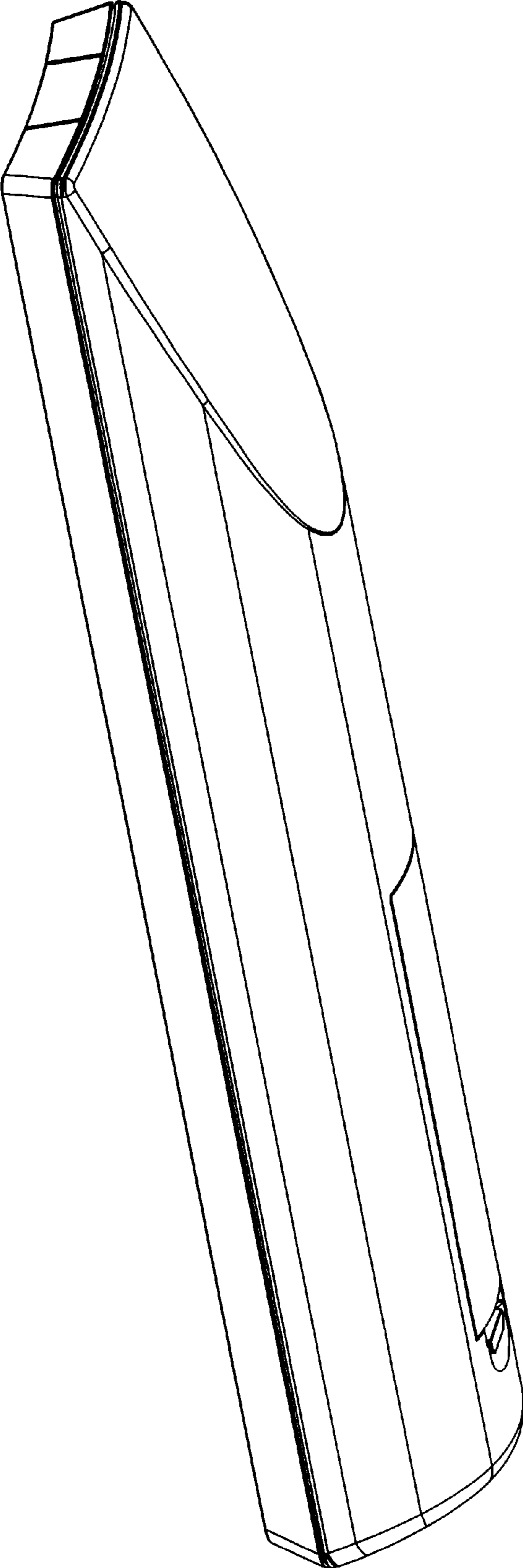
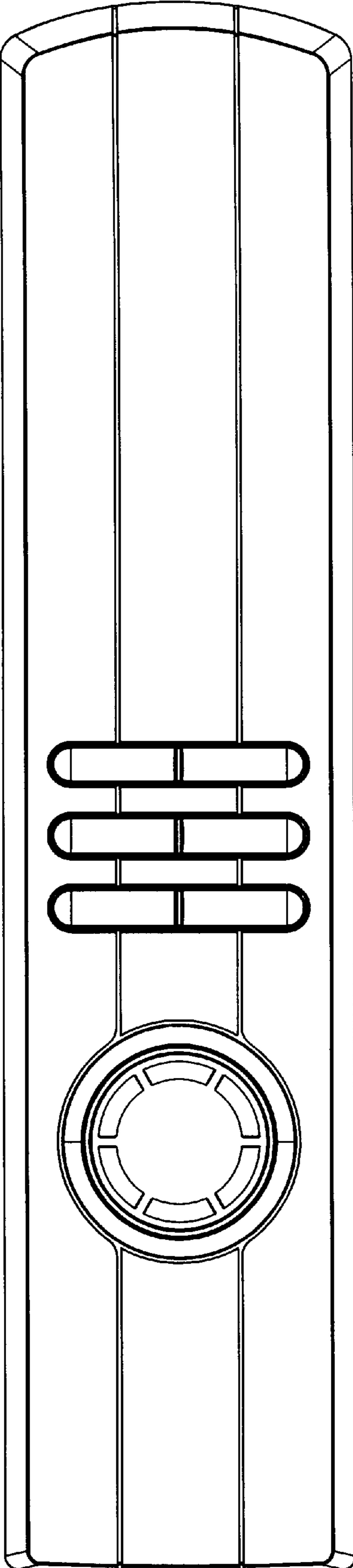


FIG. 3



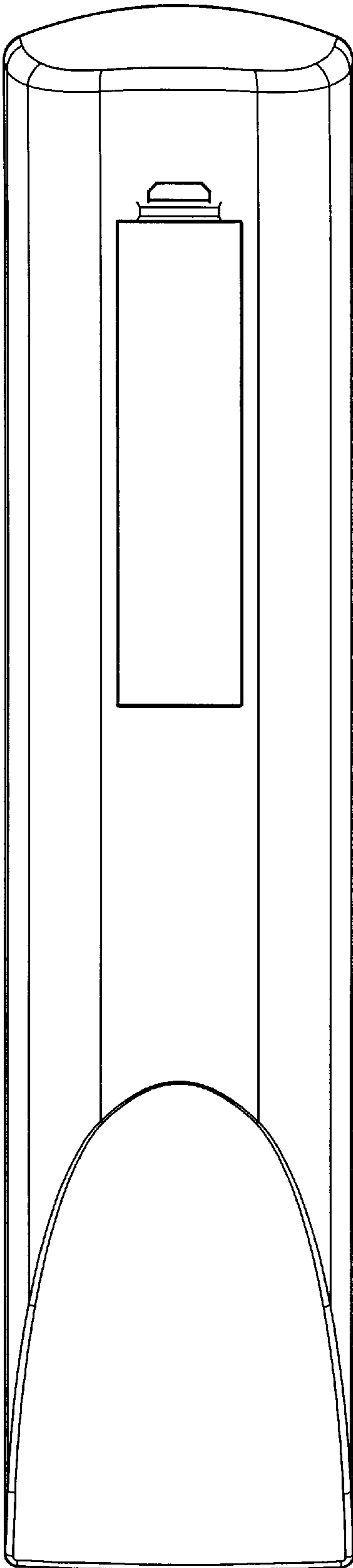


FIG. 4

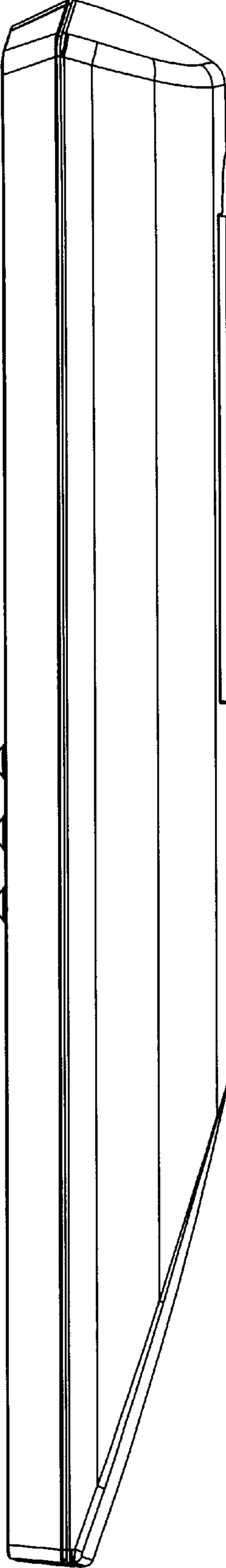


FIG. 5

FIG. 6

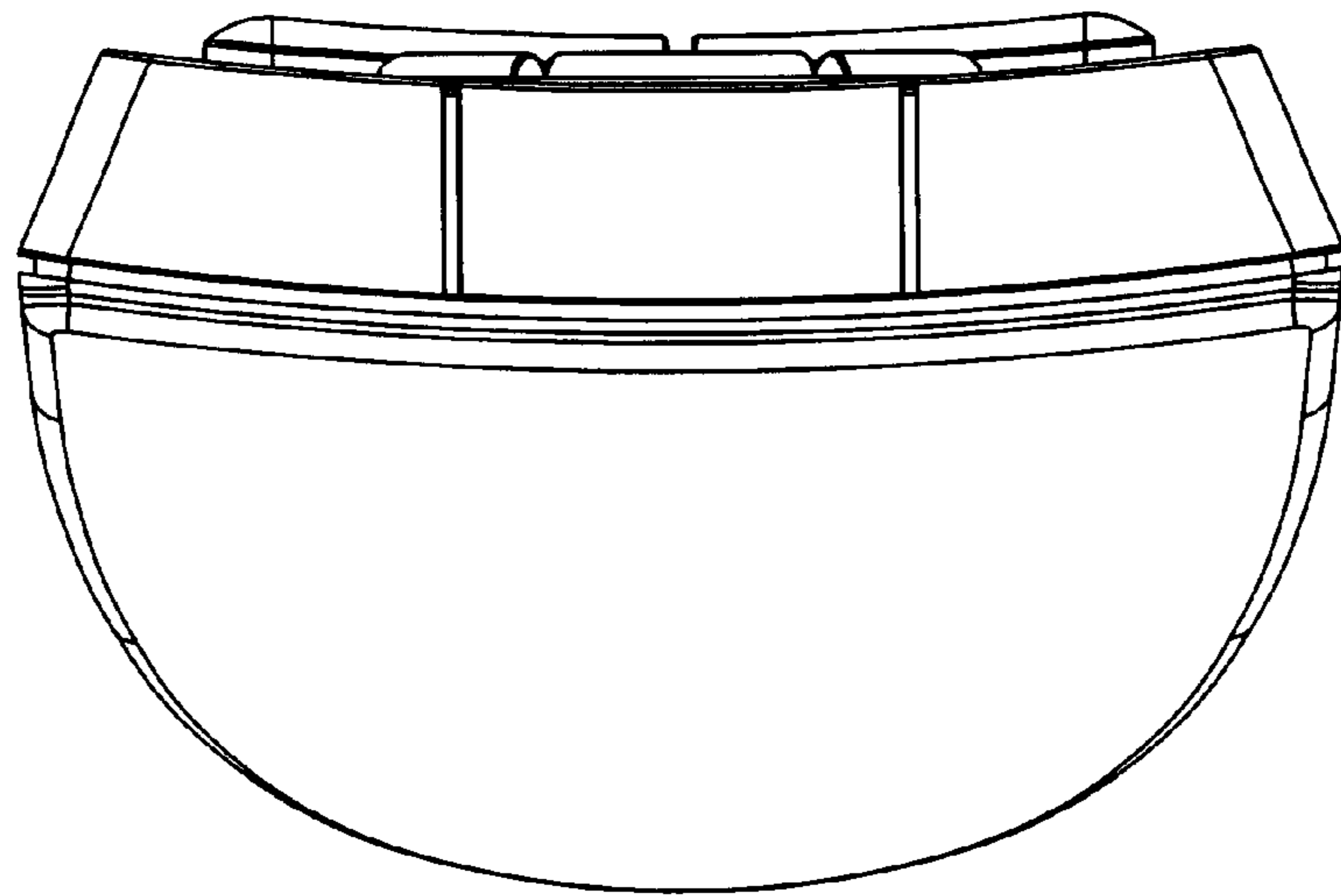
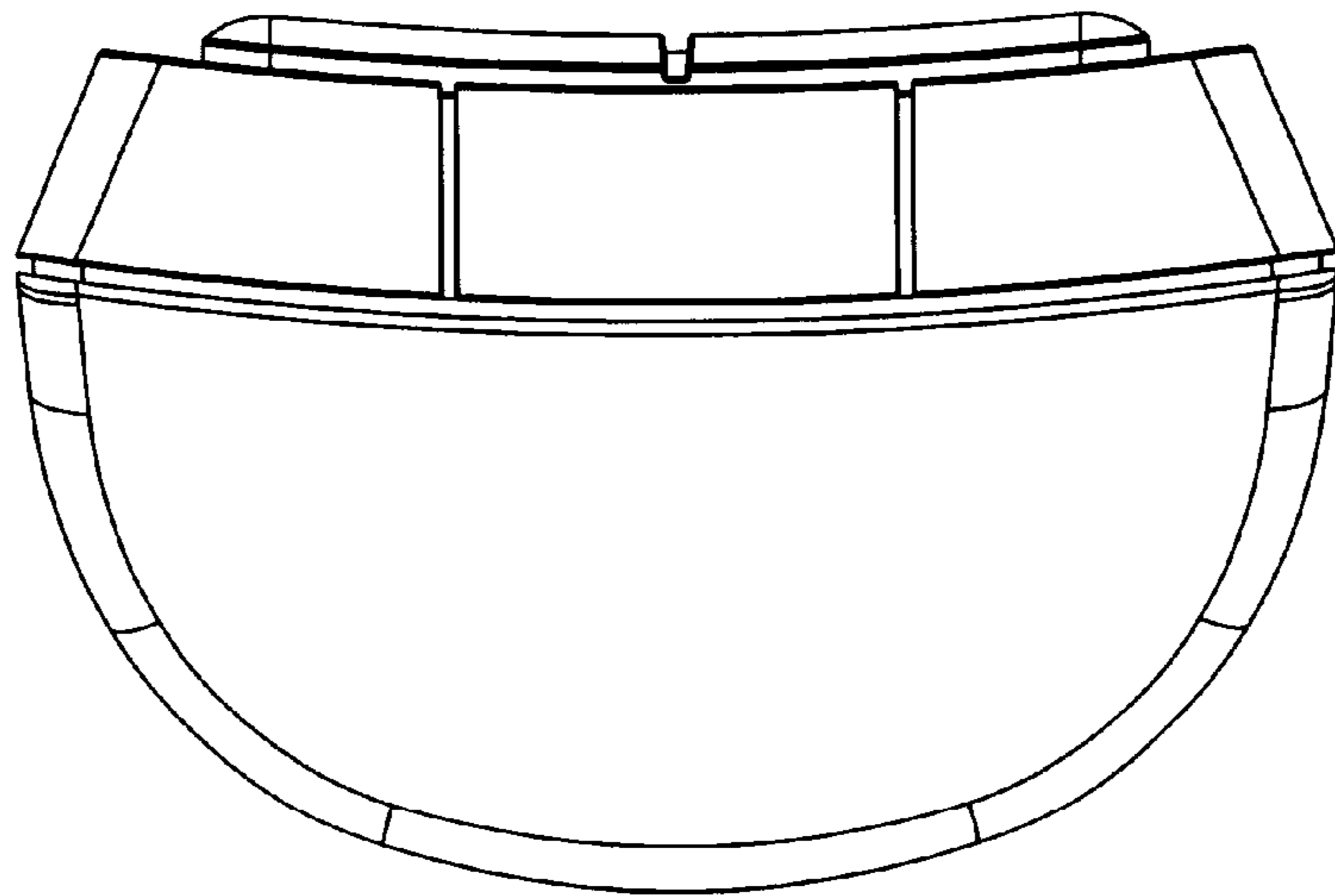


FIG. 7



UNITED STATES PATENT AND TRADEMARK OFFICE
CERTIFICATE OF CORRECTION

PATENT NO. : Des. 529,872 S
APPLICATION NO. : 29/241181
DATED : October 10, 2006
INVENTOR(S) : Erwin Weitgasser et al.

Page 1 of 1

It is certified that error appears in the above-identified patent and that said Letters Patent is hereby corrected as shown below:

On the Title page, item 75, Inventors: "Detlef Magarer" should read -- Detlev Magerer --.

Signed and Sealed this

Sixteenth Day of January, 2007

A handwritten signature in black ink on a light gray dotted background. The signature reads "Jon W. Dudas" in a cursive style.

JON W. DUDAS

Director of the United States Patent and Trademark Office