



US00D529869S

(12) **United States Design Patent**
Lee et al.

(10) **Patent No.:** **US D529,869 S**
(45) **Date of Patent:** **** Oct. 10, 2006**

(54) **FPC CONNECTOR**

(75) Inventors: **Shin-An Lee**, Tucheng (TW);
Chung-Hsin Huang, Tucheng (TW);
Yungchi Peng, Tucheng (TW)

(73) Assignee: **Cheng Uei Precision Industry Co., Ltd.**, Taipei (TW)

(**) Term: **14 Years**

(21) Appl. No.: **29/245,029**

(22) Filed: **Dec. 19, 2005**

(51) **LOC (8) Cl.** **13-03**

(52) **U.S. Cl.** **D13/147**

(58) **Field of Classification Search** D13/133,
D13/146-147, 149, 154, 184; D14/432-436,
D14/438; 439/64, 79, 72-74, 159-160, 326,
439/492, 495, 607-610, 630-631, 862
See application file for complete search history.

(56) **References Cited**

U.S. PATENT DOCUMENTS

5,286,209 A * 2/1994 Nakagawa 439/72
D453,319 S * 2/2002 Yokoyama D13/147
D456,778 S * 5/2002 Igarashi D13/147

D472,219 S * 3/2003 Miura D13/147
D501,183 S * 1/2005 Yamane et al. D13/147
D502,686 S * 3/2005 Chiu et al. D13/147
2003/0096530 A1 * 5/2003 Ma et al. 439/495

* cited by examiner

Primary Examiner—Prabhakar Deshmukh

Assistant Examiner—Daniel Bui

(74) *Attorney, Agent, or Firm*—Rosenberg, Klein & Lee

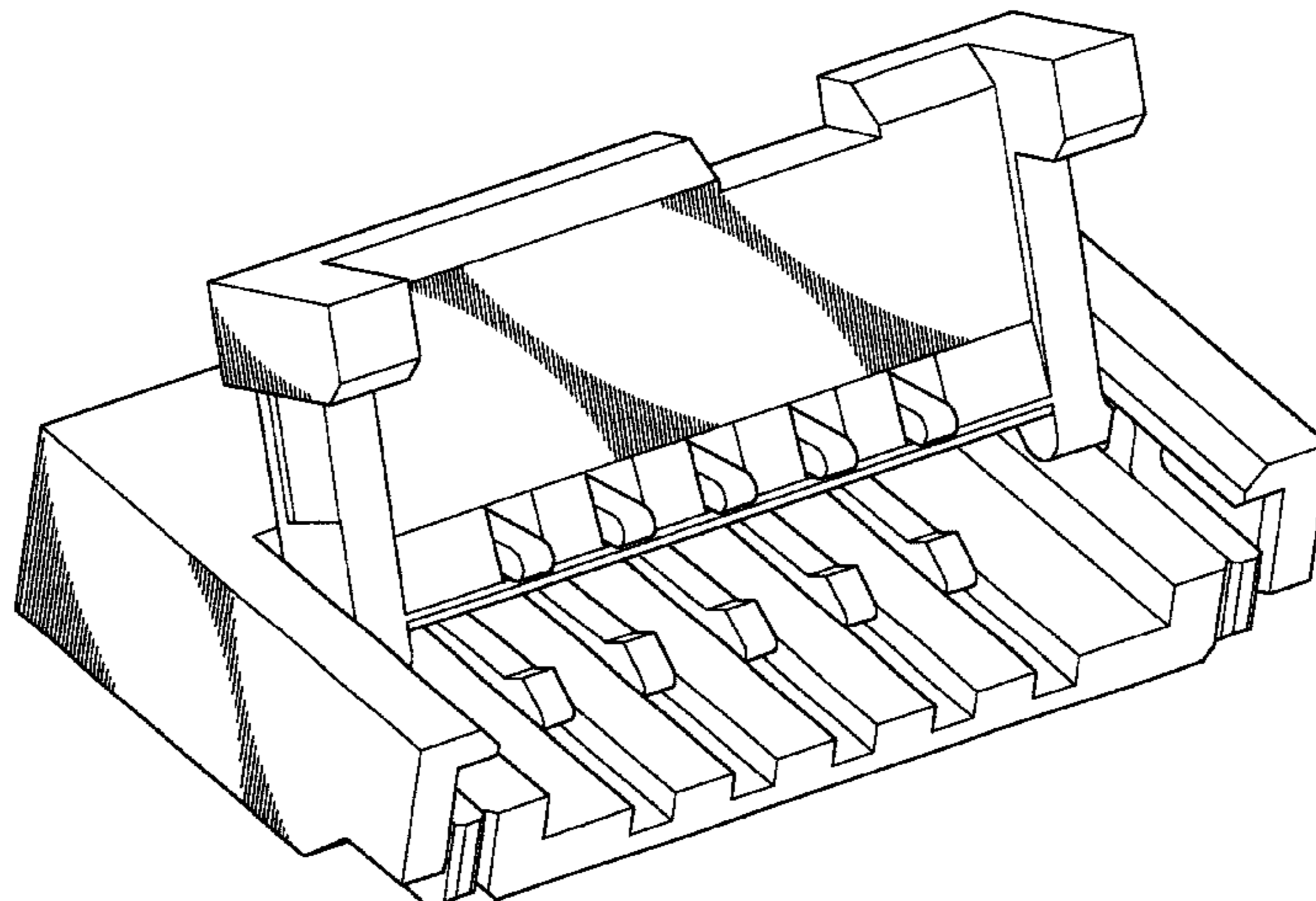
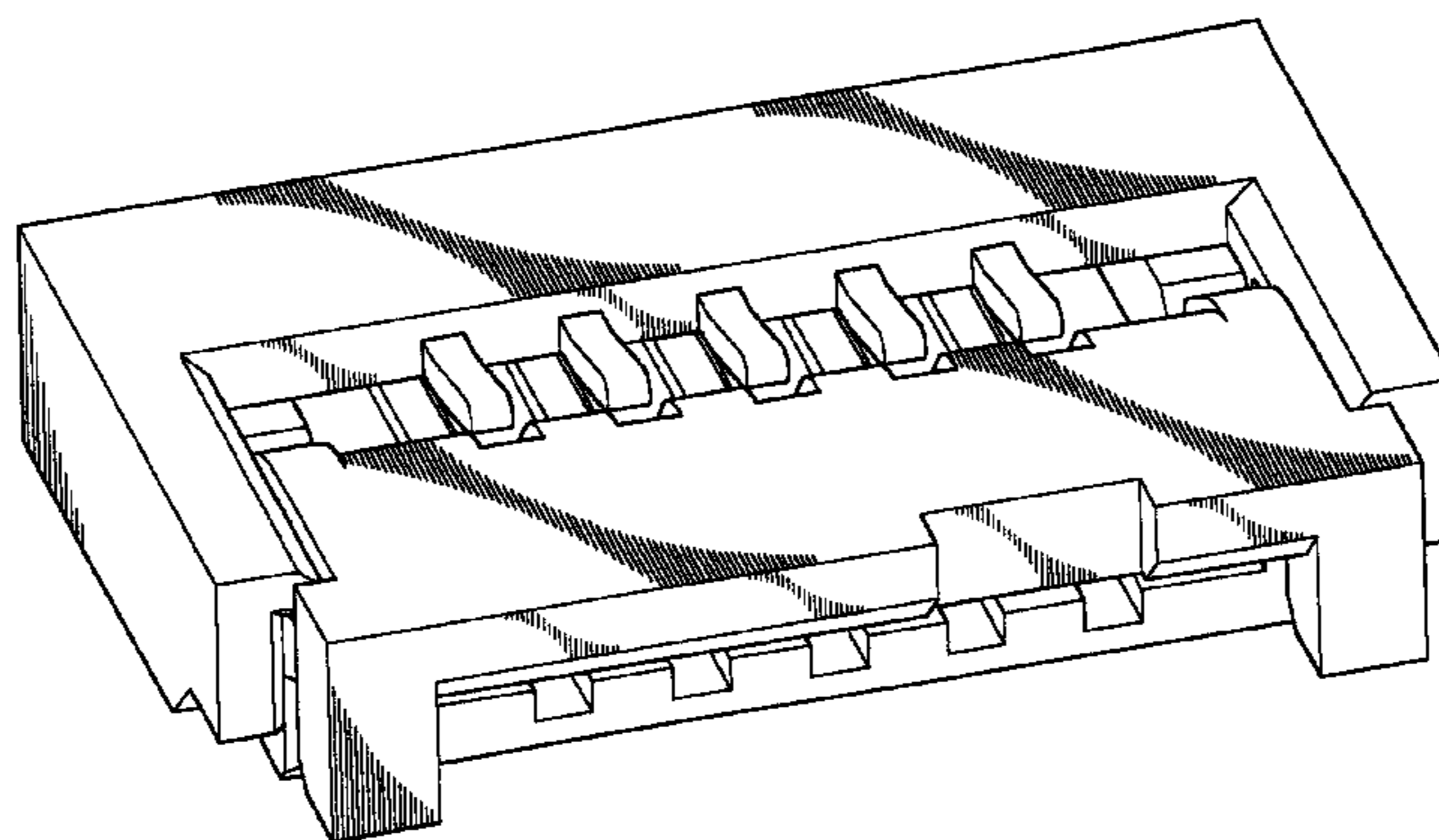
(57) **CLAIM**

The ornamental design for an FPC connector, as shown and described.

DESCRIPTION

FIG. 1 is a perspective view of an FPC connector showing my new design;
FIG. 2 is a front elevational view thereof;
FIG. 3 is a rear elevational view thereof;
FIG. 4 is a left side elevational view thereof;
FIG. 5 is a right side elevational view thereof;
FIG. 6 is a top plan view thereof;
FIG. 7 is a bottom plan view thereof; and,
FIG. 8 is another perspective view thereof, in an open condition.

1 Claim, 6 Drawing Sheets



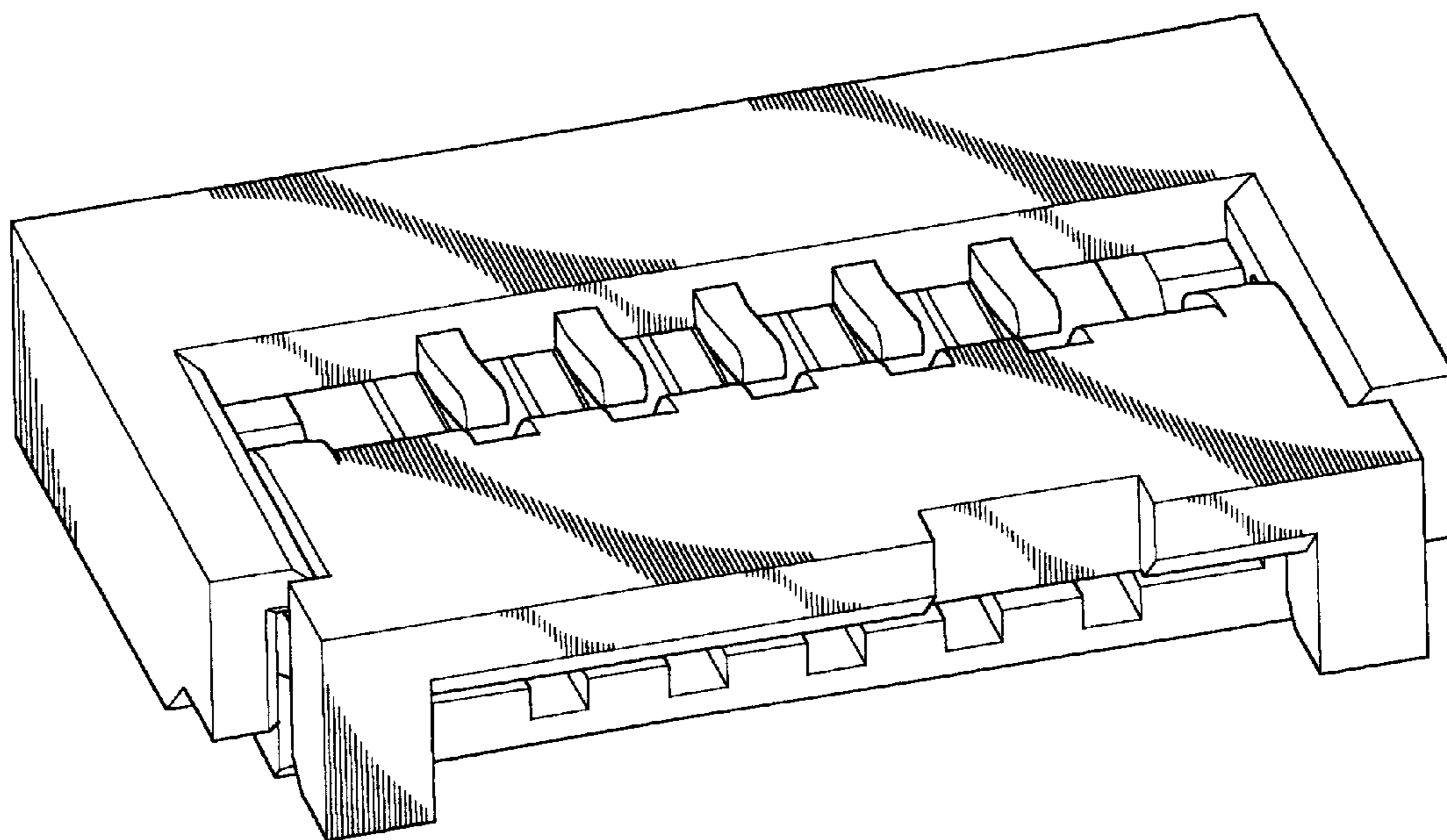


FIG. 1

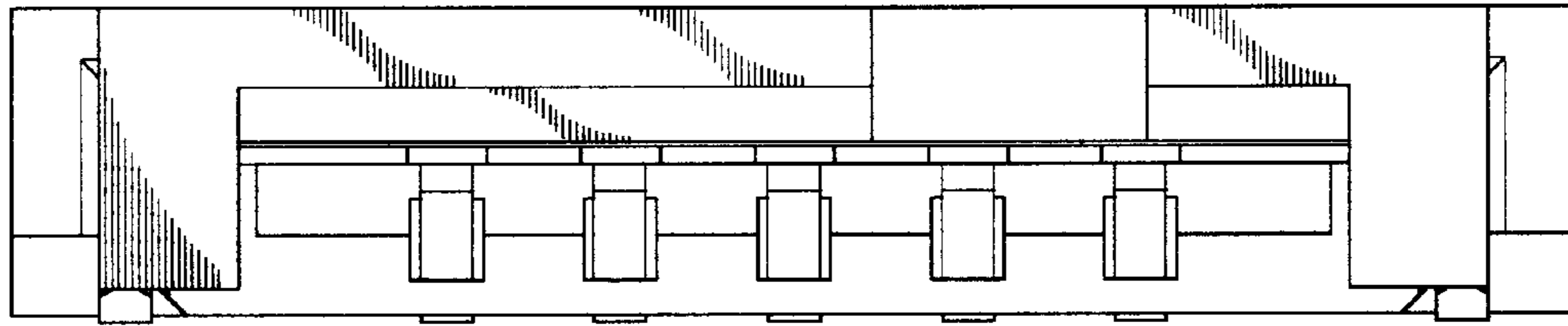


FIG. 2

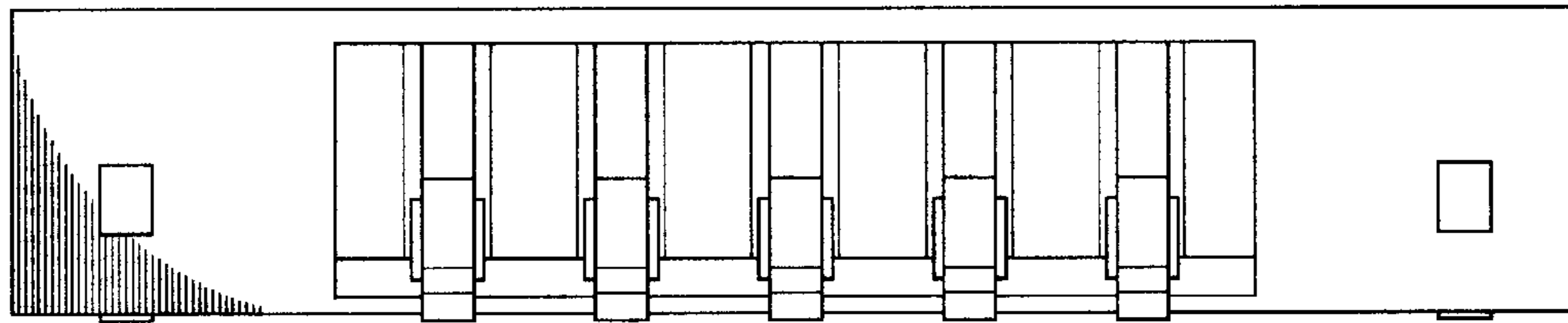


FIG. 3

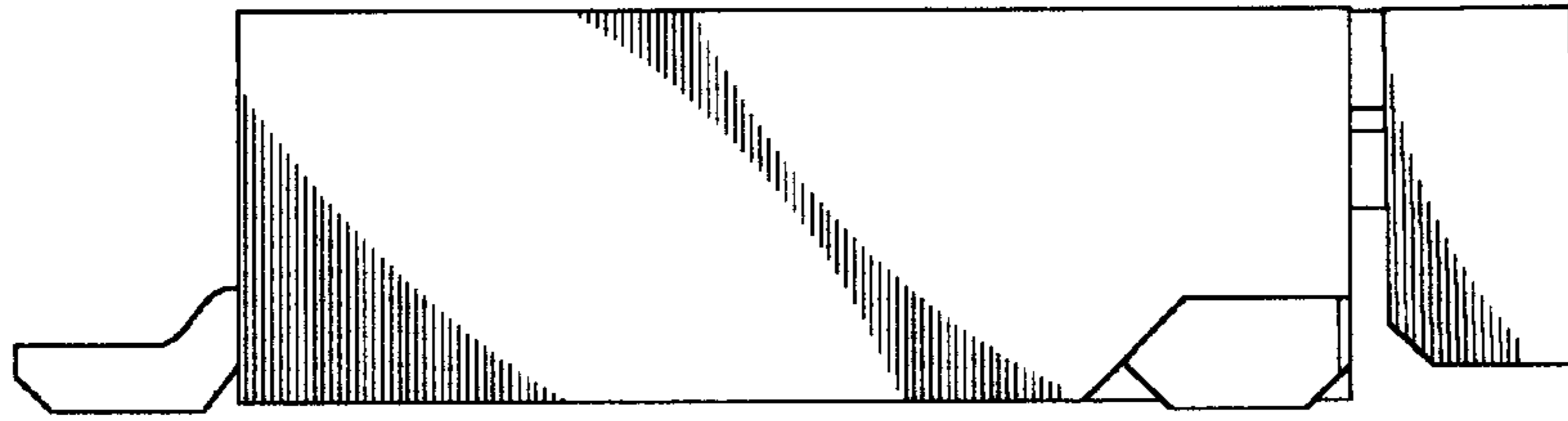


FIG. 4

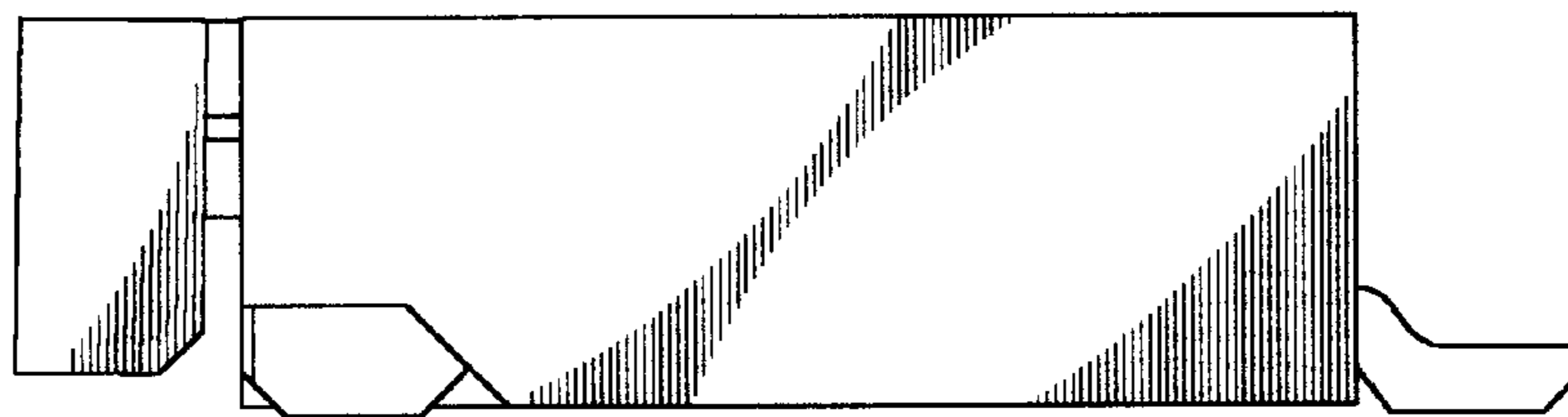


FIG. 5

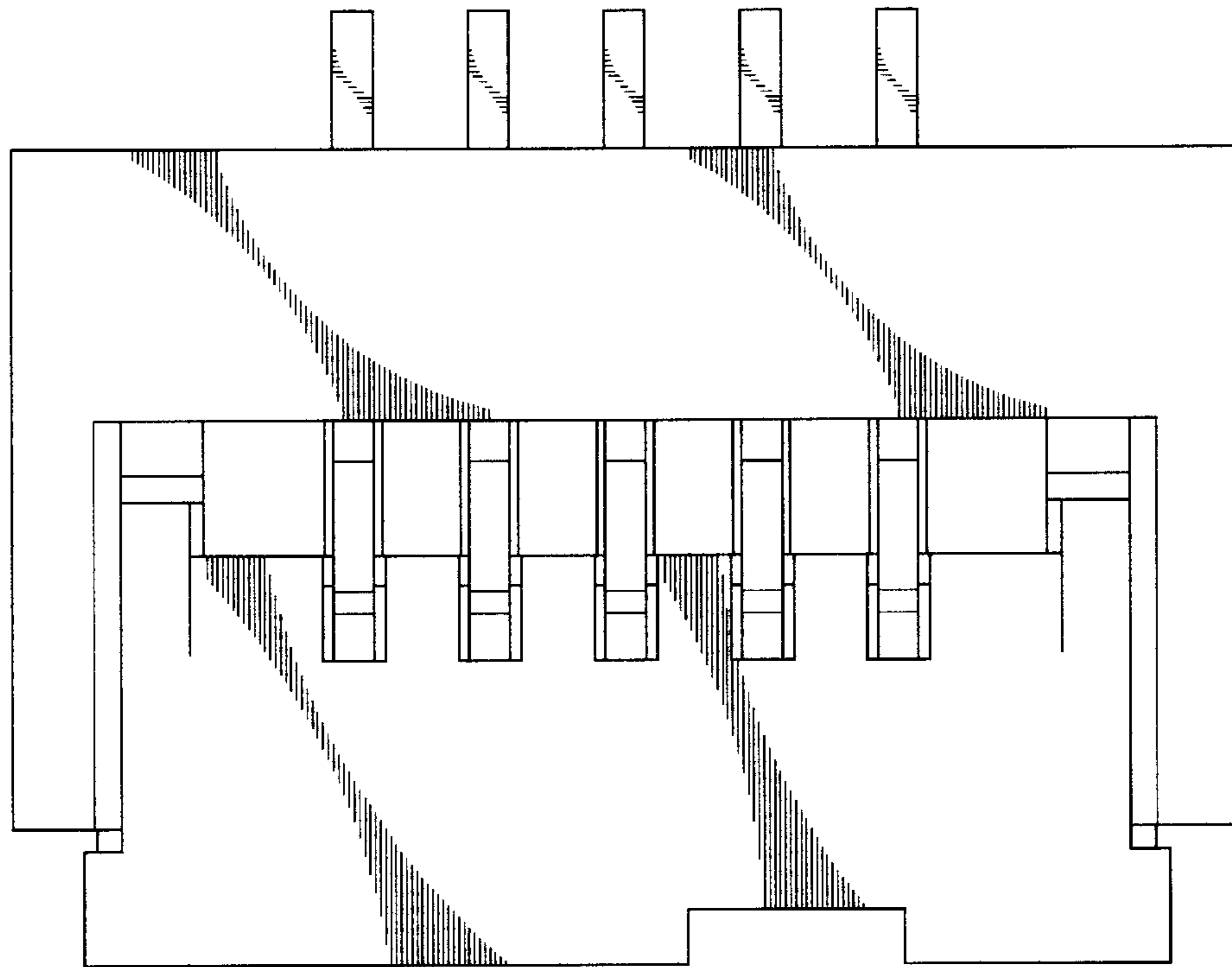


FIG. 6

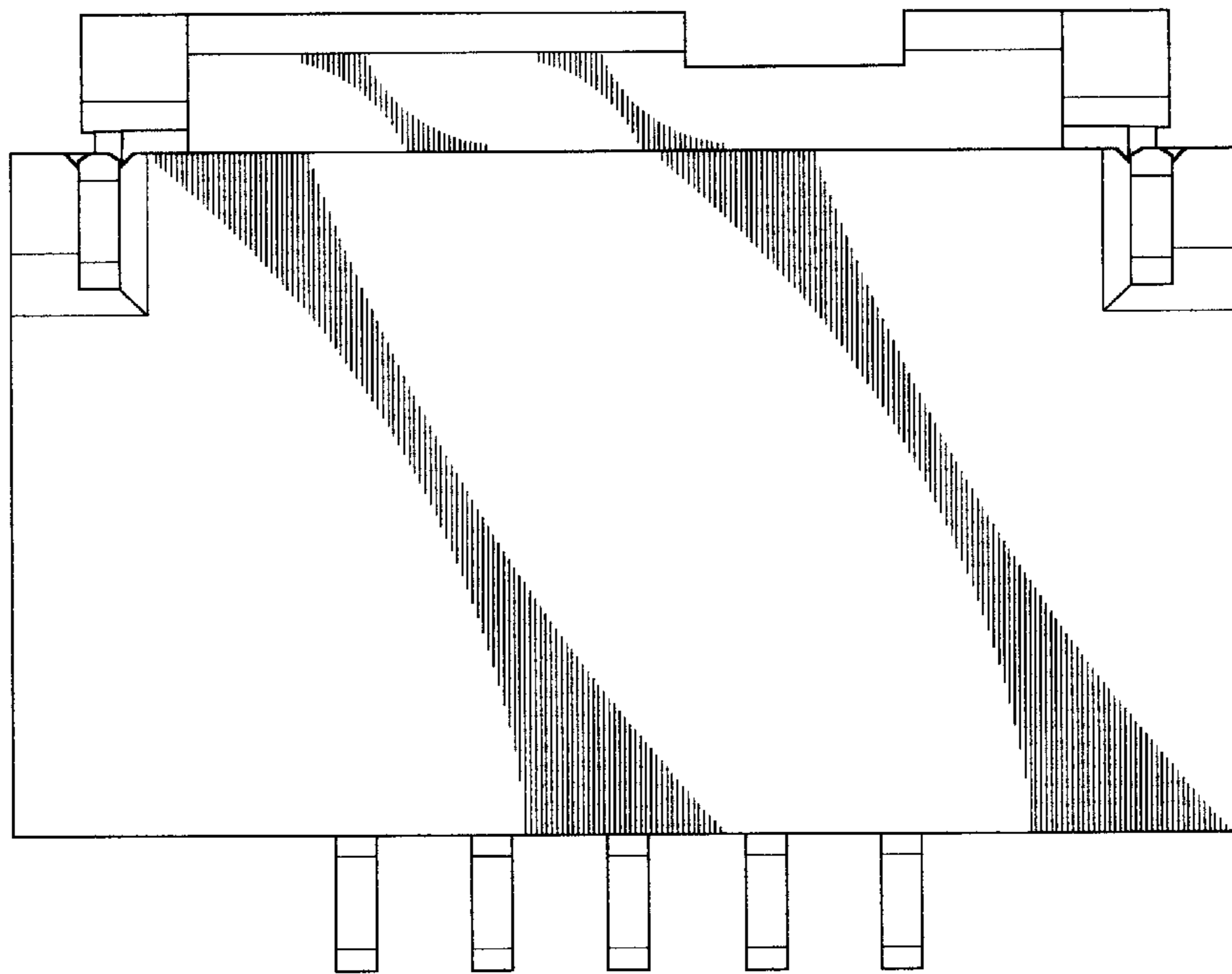


FIG. 7

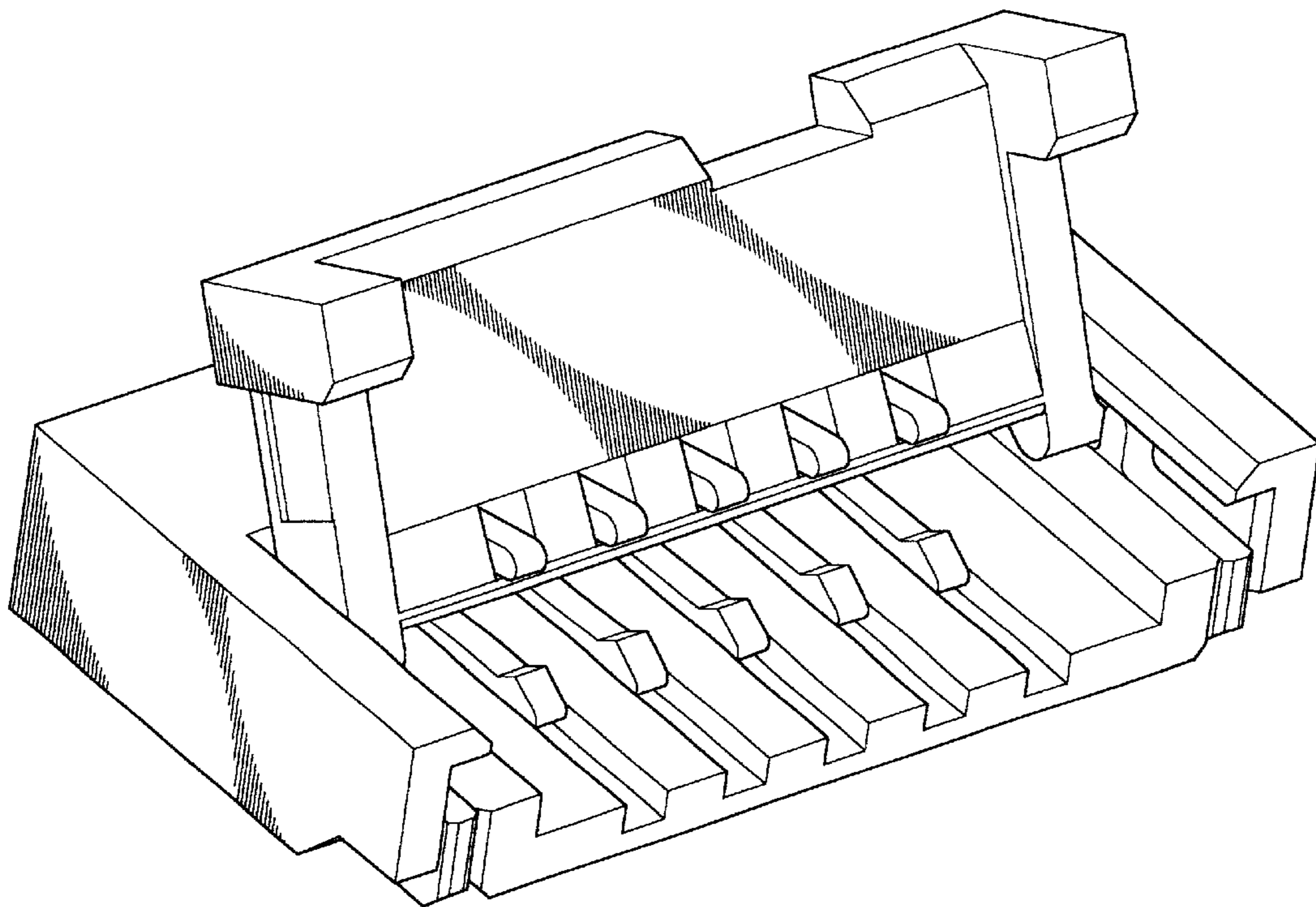


FIG. 8