



US00D529868S

(12) **United States Design Patent**
Shimizu

(10) **Patent No.:** **US D529,868 S**
(45) **Date of Patent:** **** Oct. 10, 2006**

(54) **ELECTRIC CONNECTOR**

6,991,497 B1 * 1/2006 Lin 439/668

(75) Inventor: **Minoru Shimizu**, Tokyo (JP)

FOREIGN PATENT DOCUMENTS

(73) Assignee: **Sony Computer Entertainment Inc.**,
Tokyo (JP)

GB 20074436 A 12/1990
TW 549900 8/2003
TW 570629 1/2004

(**) Term: **14 Years**

OTHER PUBLICATIONS

(21) Appl. No.: **29/224,853**

Taiwan Office Action Dated Jan. 6, 2006 for Co-Pending Design Application.

(22) Filed: **Mar. 9, 2005**

* cited by examiner

(30) **Foreign Application Priority Data**

Sep. 17, 2004 (JP) D2004-028360

Primary Examiner—Stella Reid

Assistant Examiner—Daniel Bui

(51) **LOC (8) Cl.** **13-03**

(74) *Attorney, Agent, or Firm*—Rader, Fishman & Grauer PLLC

(52) **U.S. Cl.** **D13/147; D13/146**

(58) **Field of Classification Search** D13/123,
D13/133, 146–147, 154, 184, 199; D14/226,
D14/432, 496; 439/638, 655, 660, 668–669
See application file for complete search history.

(57) **CLAIM**

The ornamental design for an electric connector, as shown.

(56) **References Cited**

DESCRIPTION

U.S. PATENT DOCUMENTS

FIG. 1 is a front elevational view of an electric connector showing my new design, a rear elevational view thereof being a mirror image of the front elevational view;

D128,400 S * 7/1941 Miller D13/146
D298,313 S * 11/1988 De Jong D13/133
D300,819 S * 4/1989 Orbanic D13/147
D411,829 S * 7/1999 Pancheri et al. D13/147
D415,102 S * 10/1999 Suzuki et al. D13/133
6,461,198 B1 * 10/2002 Chao 439/668
6,616,487 B1 * 9/2003 Lai 439/668
D482,657 S * 11/2003 Lai D13/146

FIG. 2 is a left side elevational view thereof;

FIG. 3 is a right side elevational view thereof;

FIG. 4 is a top plan view thereof;

FIG. 5 is a bottom plan view thereof; and,

FIG. 6 is a perspective view thereof.

1 Claim, 4 Drawing Sheets

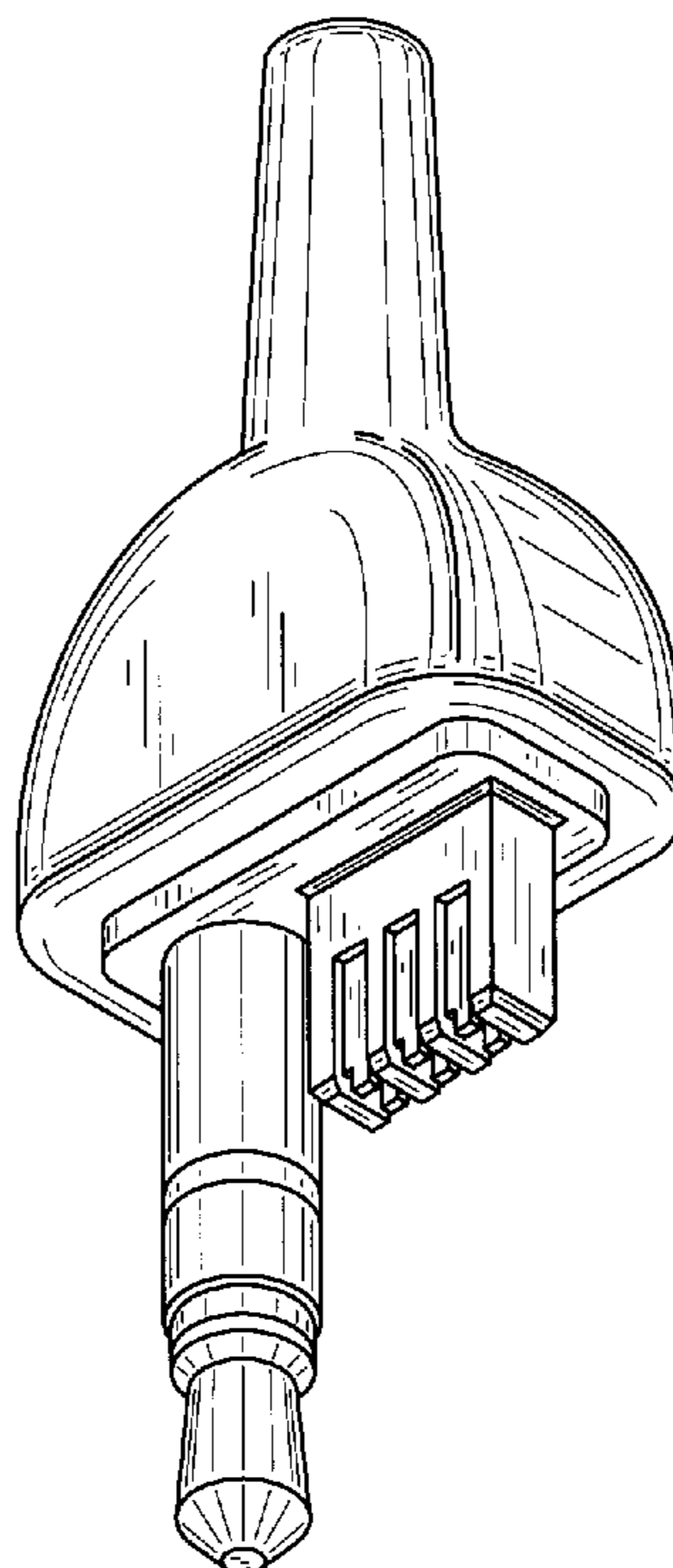


Fig. 1

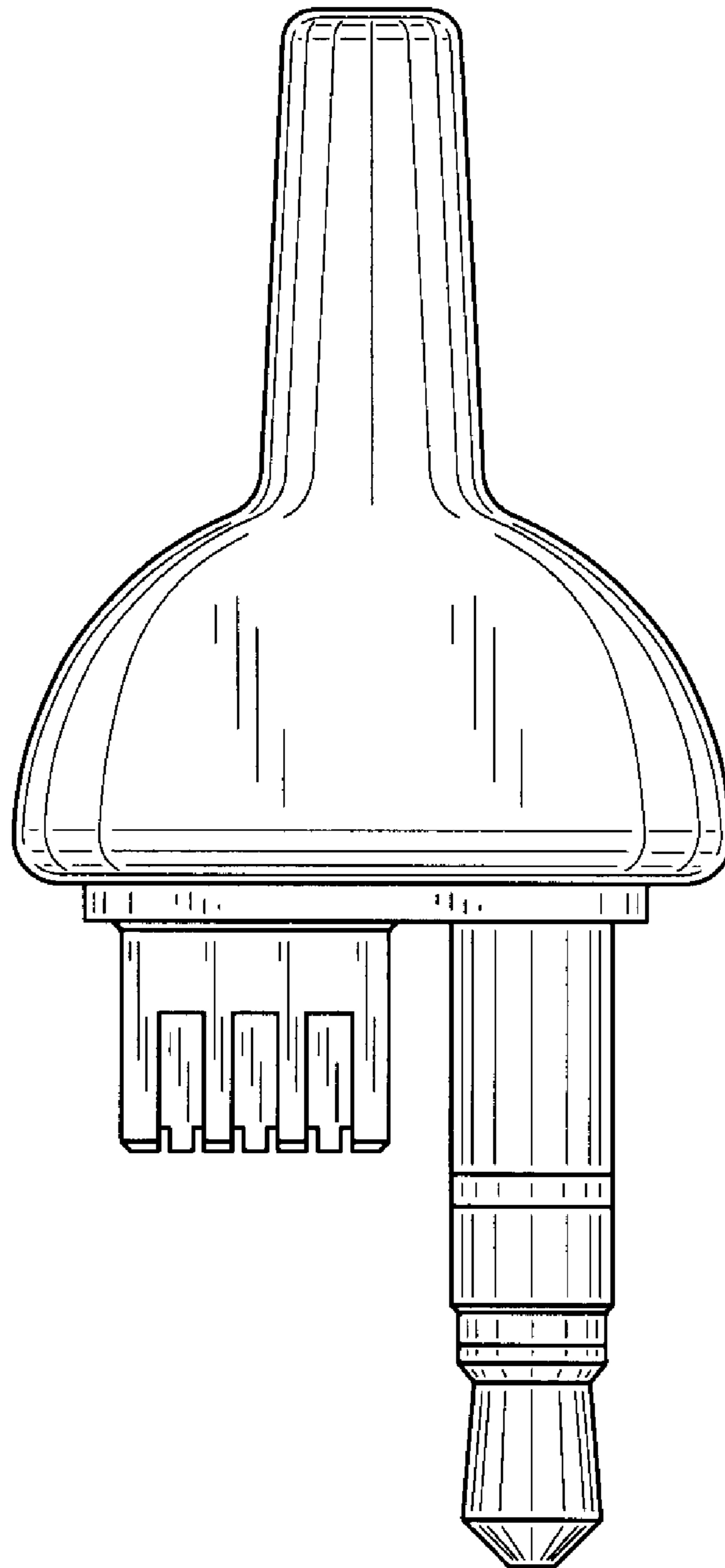


Fig.2

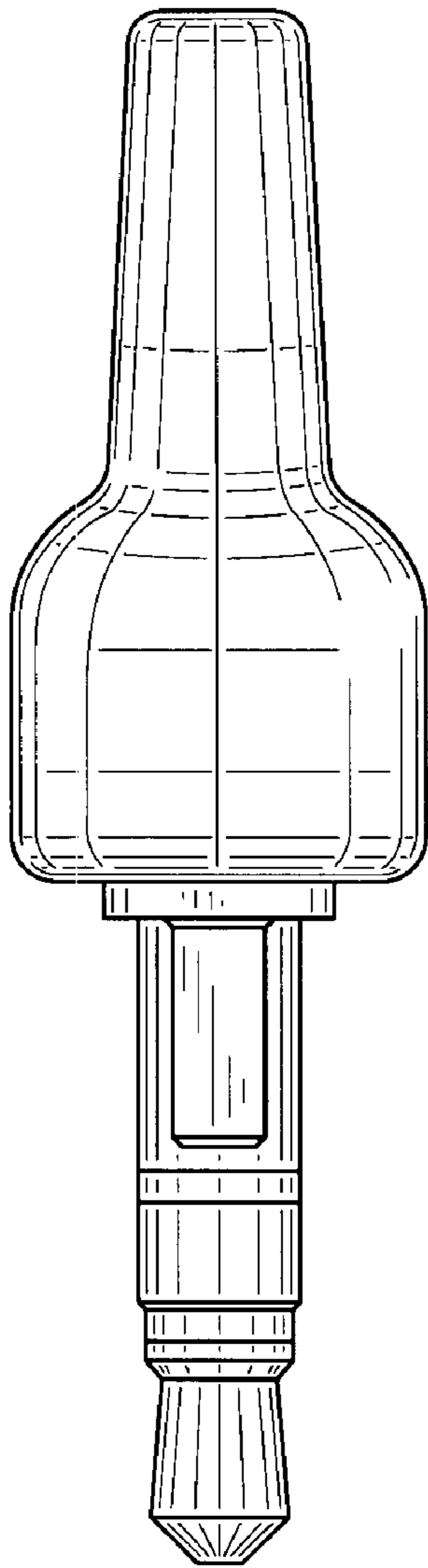


Fig.3

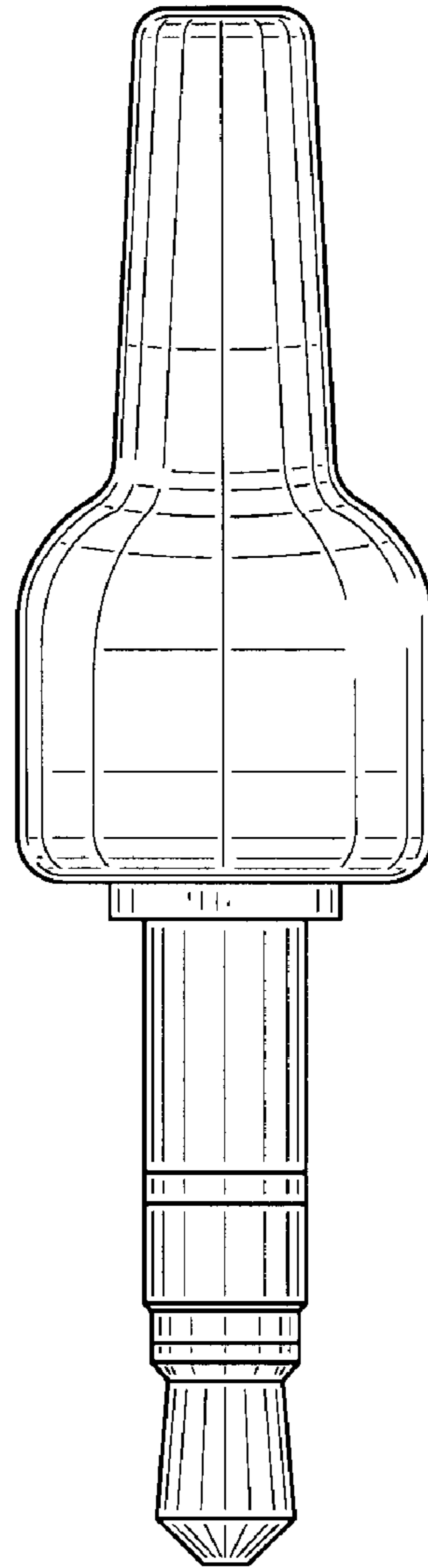


Fig.4

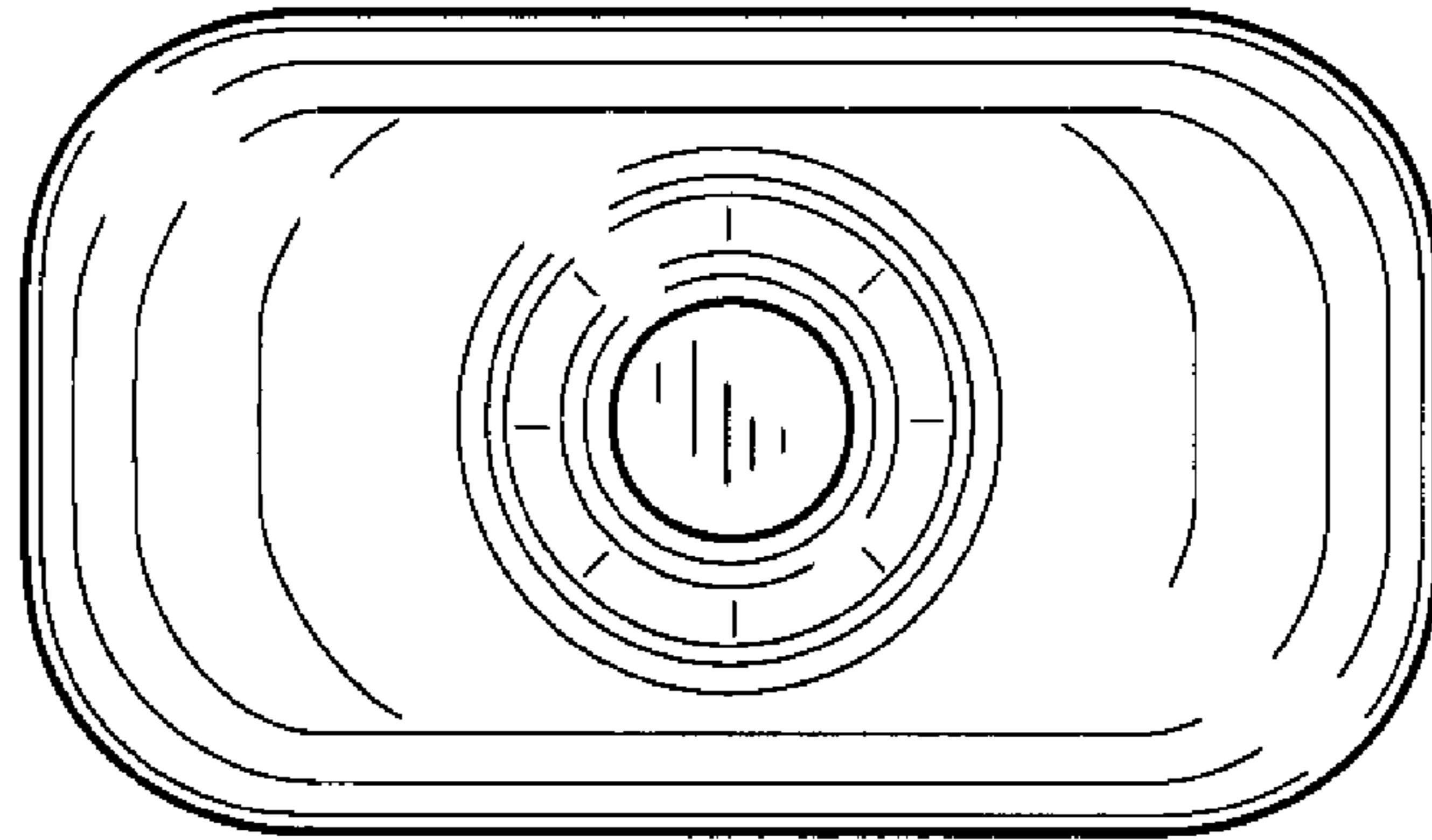


Fig.5

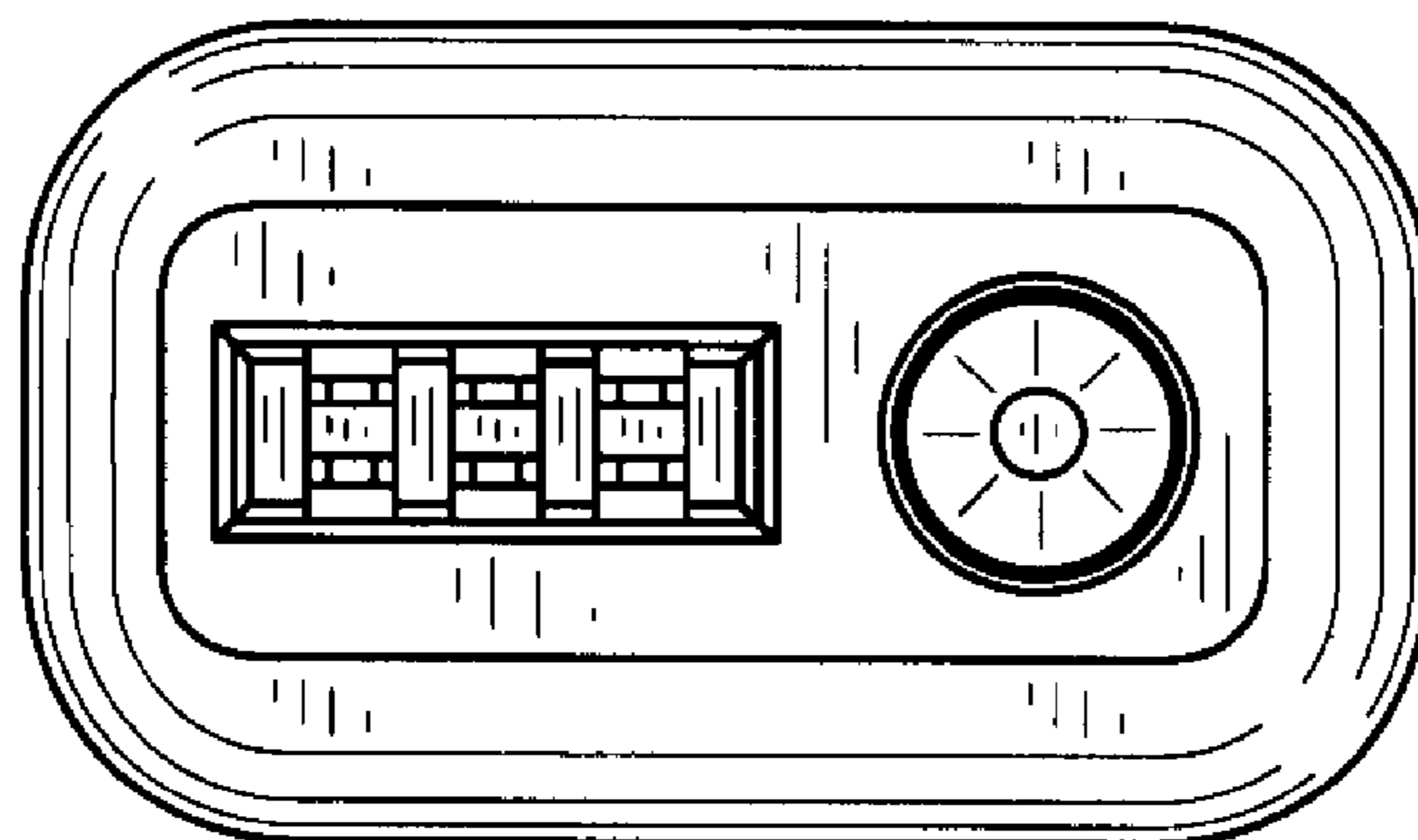


Fig.6

