



US00D529867S

(12) **United States Design Patent**  
**Fan**

(10) **Patent No.:** **US D529,867 S**  
(45) **Date of Patent:** **\*\* Oct. 10, 2006**

- (54) **ELECTRICAL CONNECTOR**
- (75) Inventor: **Chia Hao Fan**, Tu-Chen (TW)
- (73) Assignee: **Hon Hai Precision Ind. Co., LTD**,  
Taipei Hsien (TW)
- (\*\*) Term: **14 Years**
- (21) Appl. No.: **29/220,414**
- (22) Filed: **Dec. 29, 2004**
- (30) **Foreign Application Priority Data**  
Sep. 17, 2004 (TW) ..... 93305547
- (51) **LOC (8) Cl.** ..... **13-03**
- (52) **U.S. Cl.** ..... **D13/147**
- (58) **Field of Classification Search** ..... D13/133,  
D13/146-147, 184, 199; 439/74, 78-79,  
439/83, 108, 181, 607-610, 637-638, 660  
See application file for complete search history.

(56) **References Cited**  
U.S. PATENT DOCUMENTS

- D451,884 S \* 12/2001 Hisatomi et al. .... D13/147
- D471,872 S \* 3/2003 Kawase ..... D13/147

- D491,527 S \* 6/2004 Fan ..... D13/147
- D497,598 S \* 10/2004 Kimura et al. .... D13/147
- D500,741 S \* 1/2005 Fan ..... D13/147
- D501,829 S \* 2/2005 Kimura et al. .... D13/147
- D506,442 S \* 6/2005 Obikane et al. .... D13/147
- 2003/0176110 A1 \* 9/2003 Wu et al. .... 439/660
- 2004/0110398 A1 \* 6/2004 Chen ..... 439/79

\* cited by examiner

*Primary Examiner*—Stella Reid  
*Assistant Examiner*—Daniel Bui  
(74) *Attorney, Agent, or Firm*—Wei Te Chung

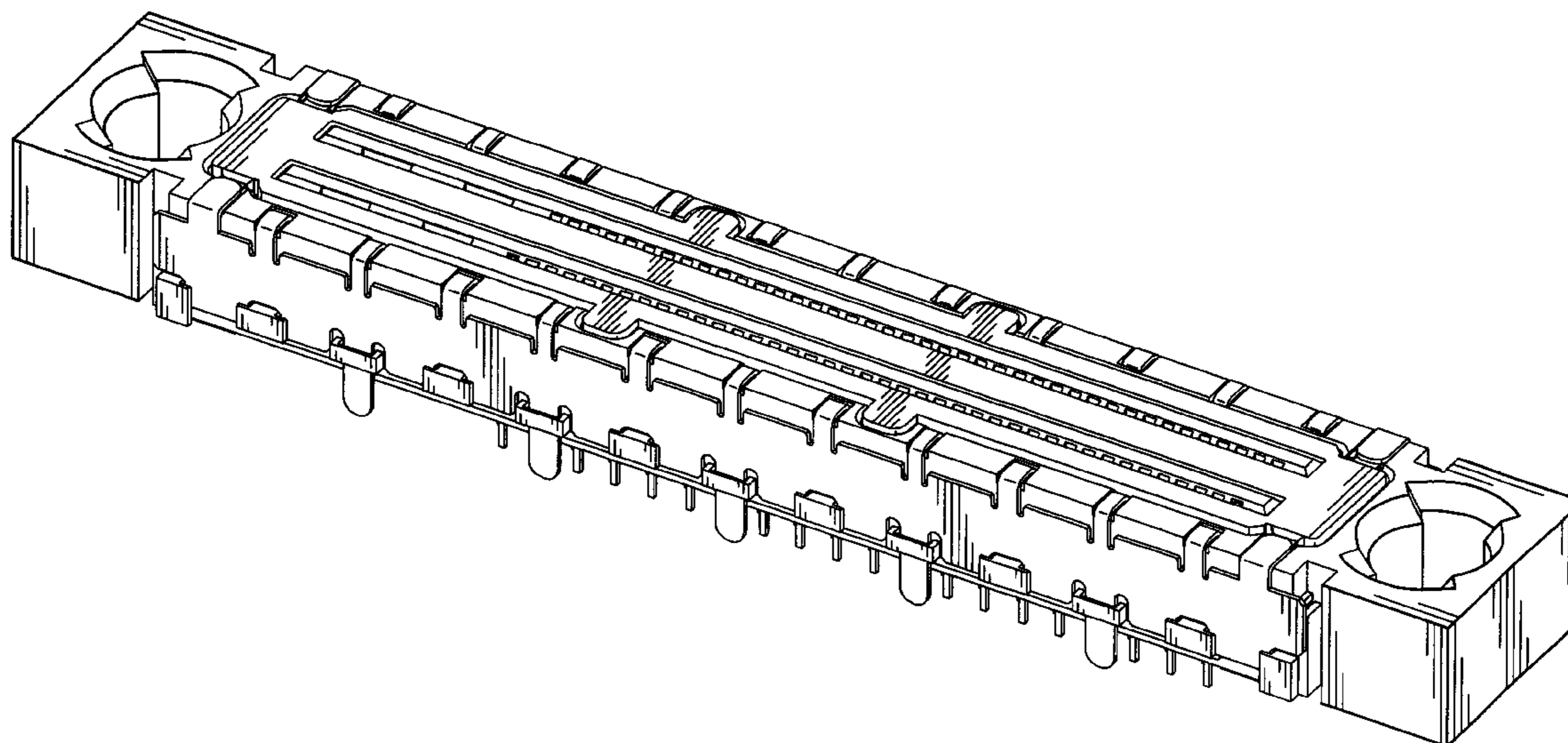
(57) **CLAIM**

The ornamental design for an electrical connector, as shown.

**DESCRIPTION**

FIG. 1 is a front, top and right side perspective view of an electrical connector showing the new design; FIG. 2 is a front elevational view thereof; FIG. 3 is a rear elevational view thereof; FIG. 4 is a left side elevational view thereof; FIG. 5 is a right side elevational view thereof; FIG. 6 is a top plan view thereof; and, FIG. 7 is a bottom plan view thereof.

**1 Claim, 6 Drawing Sheets**



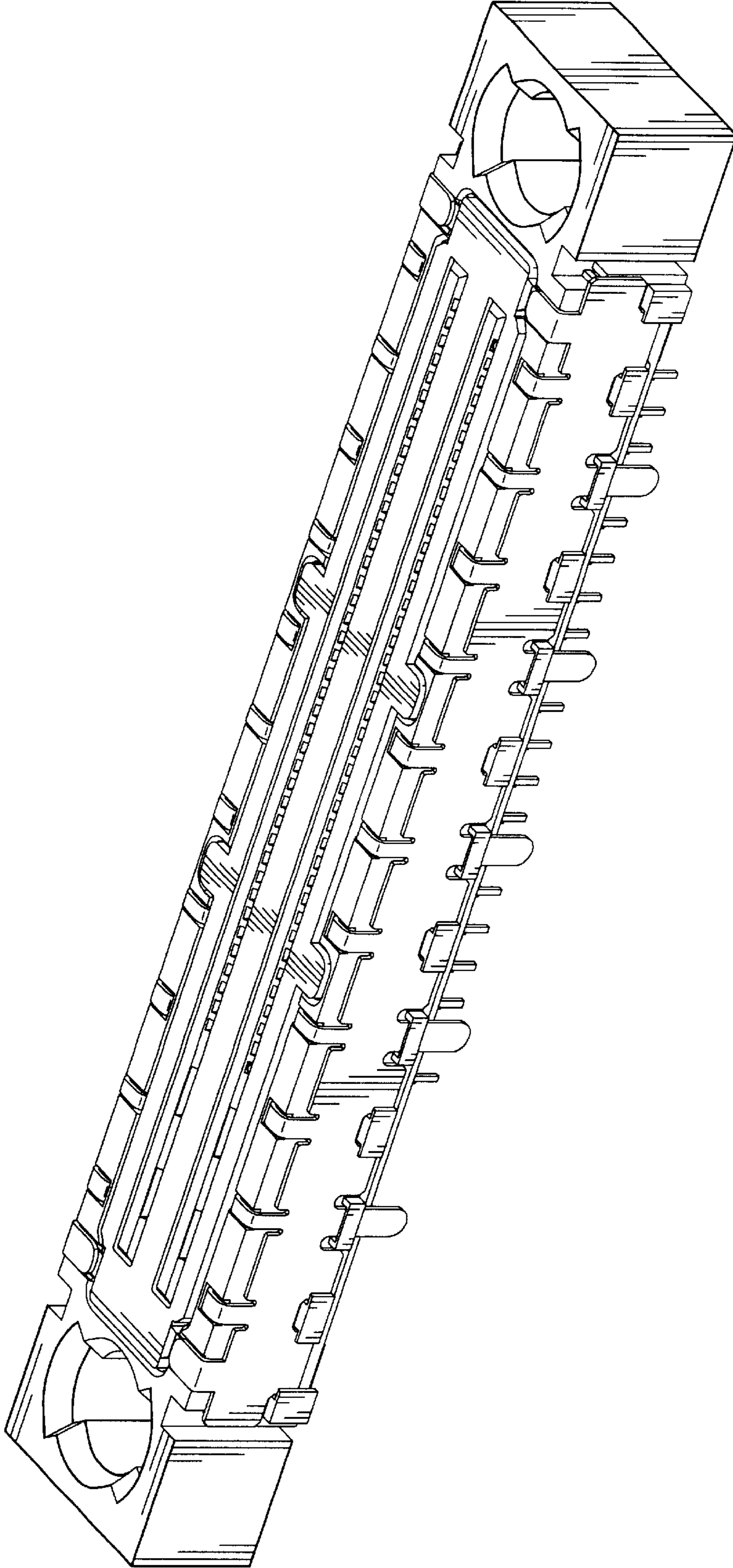


FIG. 1

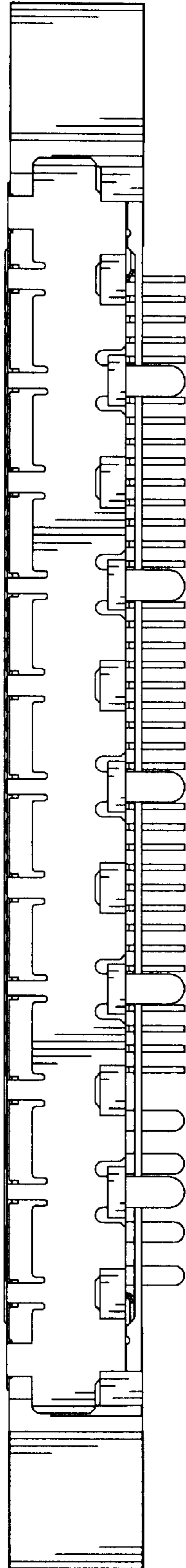


FIG. 2

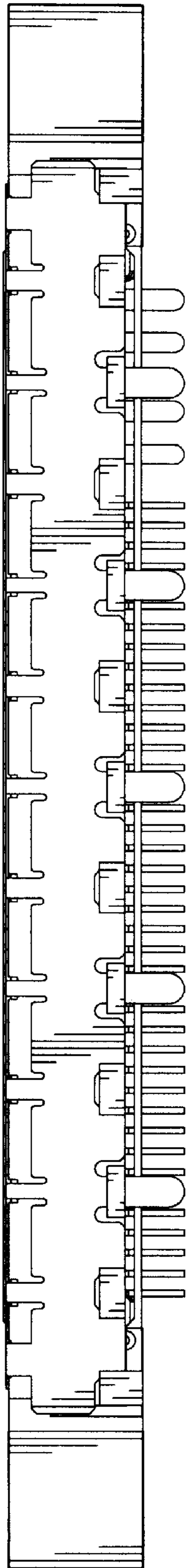


FIG. 3

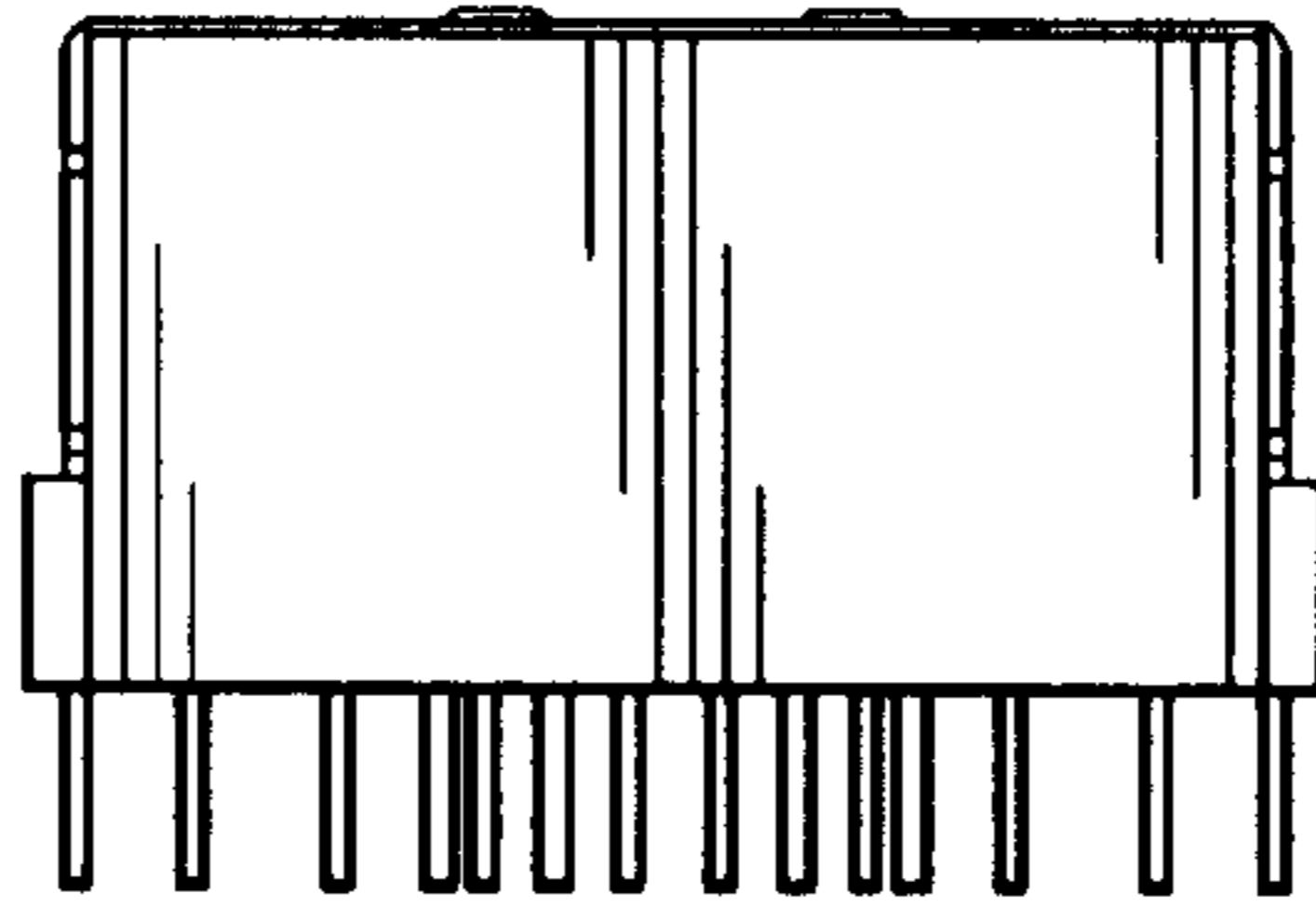


FIG. 4

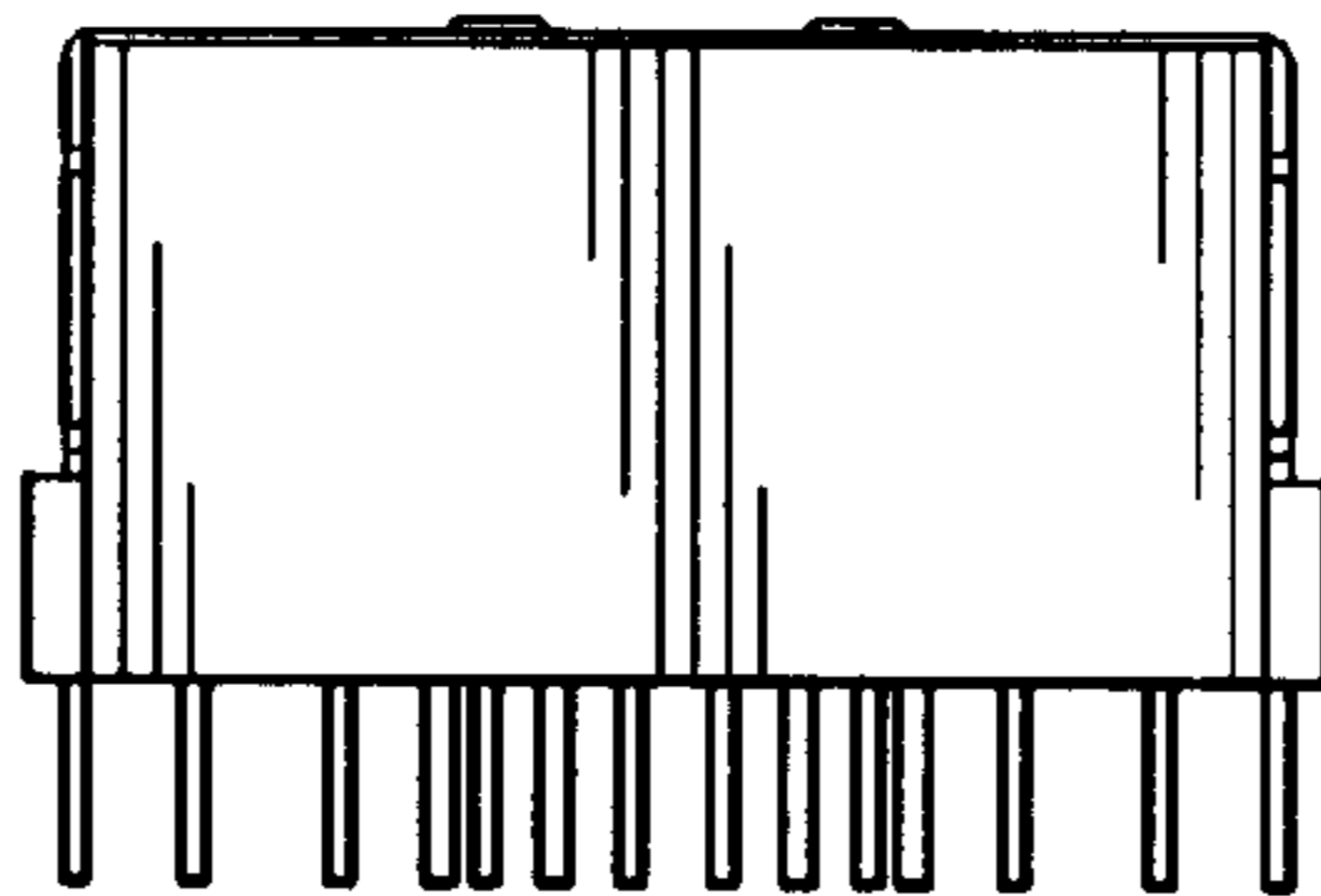


FIG. 5

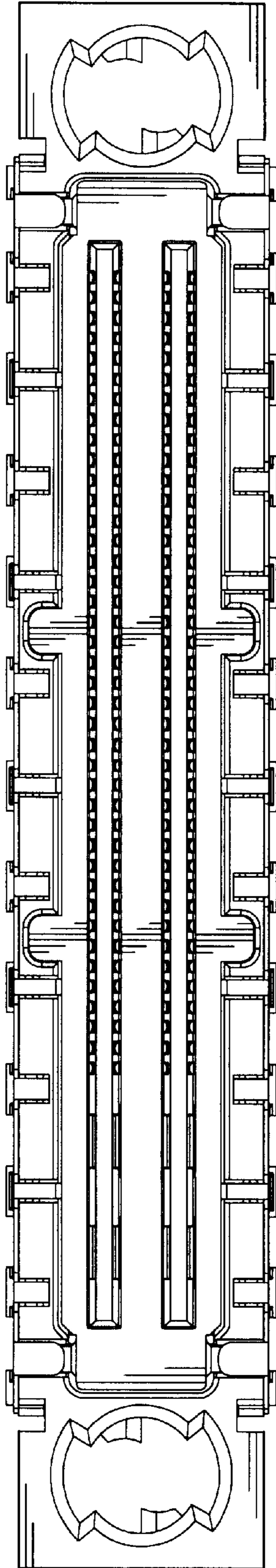


FIG. 6

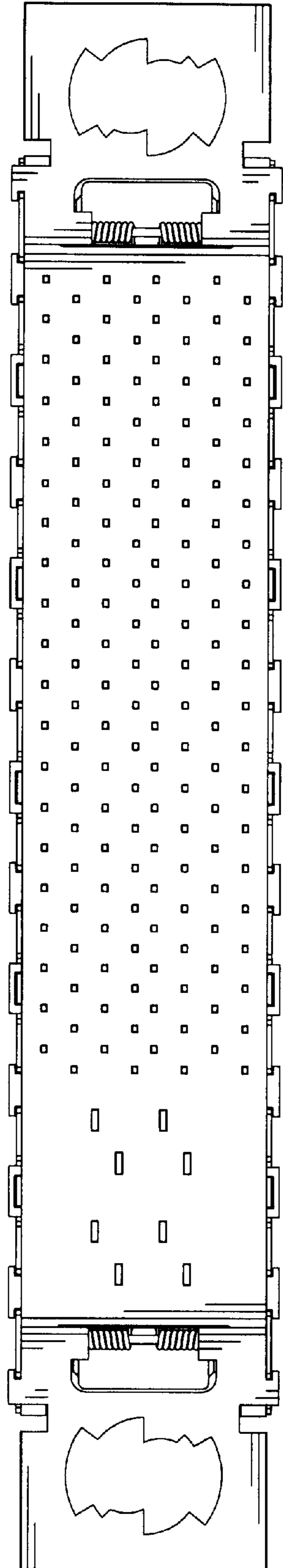


FIG. 7