



US00D529866S

(12) **United States Design Patent**  
**Zhang et al.**

(10) **Patent No.:** **US D529,866 S**  
(45) **Date of Patent:** **\*\* Oct. 10, 2006**

(54) **CABLE END CONNECTOR**

(75) Inventors: **Hongbo Zhang**, Kunsan (CN); **Yi Sheng Lin**, Kunsan (CN)

(73) Assignee: **Hon Hai Precision Ind. Co., Ltd.**,  
Taipei Hsien (TW)

(\*\*) Term: **14 Years**

(21) Appl. No.: **29/185,508**

(22) Filed: **Jun. 27, 2003**

(30) **Foreign Application Priority Data**

Jun. 20, 2003 (TW) ..... 92303830

(51) **LOC (8) Cl.** ..... **13-03**

(52) **U.S. Cl.** ..... **D13/147**

(58) **Field of Classification Search** ..... D13/133,  
D13/146-147, 154, 184, 199; 439/352-353,  
439/357-358, 677-681, 607, 610, 686  
See application file for complete search history.

(56) **References Cited**

**U.S. PATENT DOCUMENTS**

- D376,581 S \* 12/1996 Suzuki ..... D13/147
- D412,154 S \* 7/1999 Lok ..... D13/147
- 5,934,942 A \* 8/1999 Patel et al. .... 439/610
- D422,559 S \* 4/2000 Tsai ..... D13/147
- D422,560 S \* 4/2000 Lok ..... D13/147

- D447,467 S \* 9/2001 Hisada et al. .... D13/147
- D449,820 S \* 10/2001 Lee ..... D13/147
- D461,452 S \* 8/2002 Yeh ..... D13/147
- D470,819 S \* 2/2003 Sass et al. .... D13/133
- 6,953,361 B1 \* 10/2005 Li et al. .... 439/358
- 6,957,976 B1 \* 10/2005 Zhang ..... 439/358
- D512,688 S \* 12/2005 Li ..... D13/147
- 2005/0064758 A1 \* 3/2005 Li et al. .... 439/358

\* cited by examiner

*Primary Examiner*—Stella Reid

*Assistant Examiner*—Daniel Bui

(74) *Attorney, Agent, or Firm*—Wei Te Chung

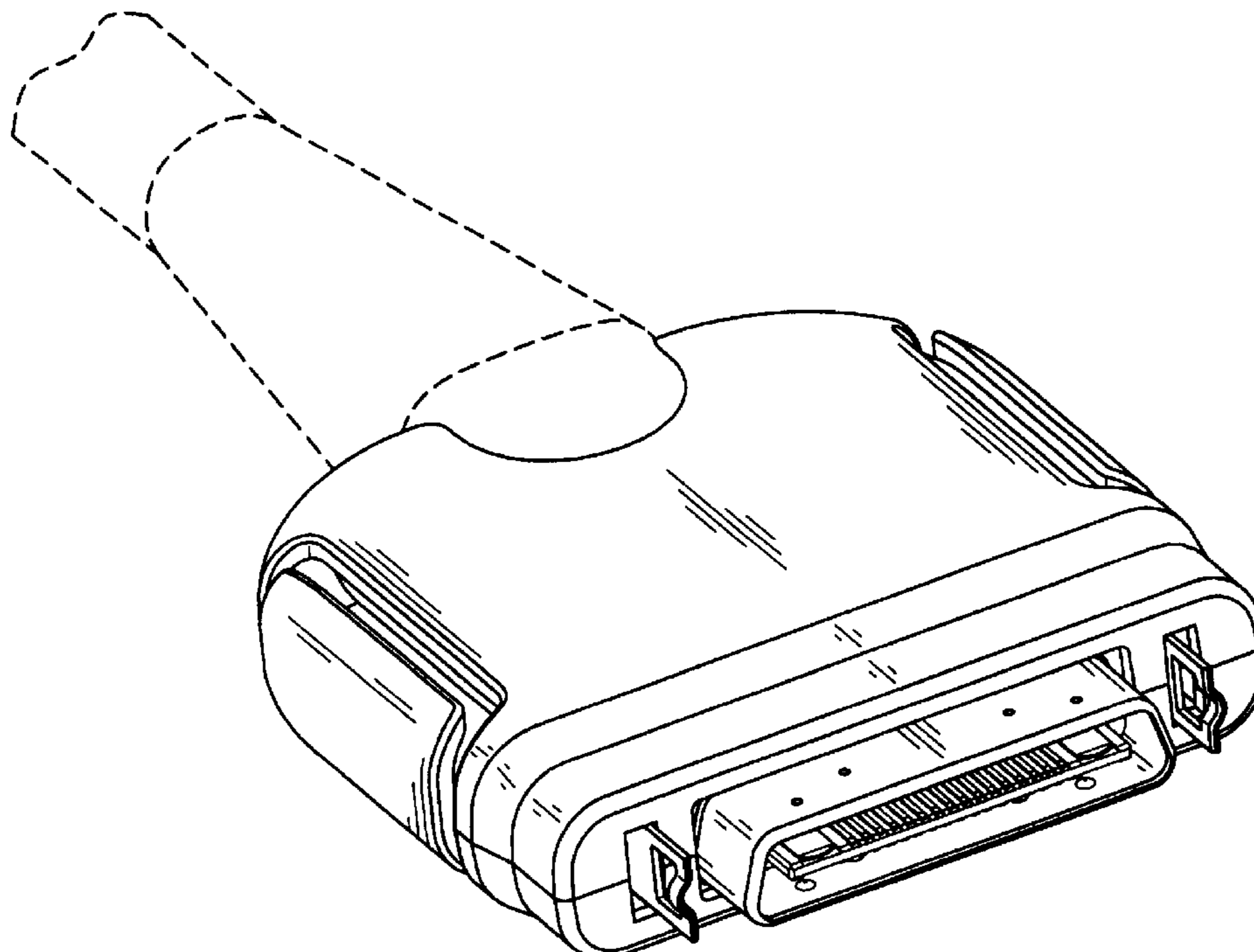
(57) **CLAIM**

The ornamental design for a cable end connector, as shown and described.

**DESCRIPTION**

FIG. 1 is a front, top and left side perspective view of a cable end connector showing our new design;  
 FIG. 2 is a front elevational view of FIG. 1;  
 FIG. 3 is a rear elevational view of FIG. 1;  
 FIG. 4 is a left side elevational view of FIG. 1;  
 FIG. 5 is a right side elevational view of FIG. 1;  
 FIG. 6 is a top plan view of FIG. 1; and,  
 FIG. 7 is a bottom plan view of FIG. 1.  
 The cable shown in phantom lines is for illustrative purposes only and forms no part of the claimed design.

**1 Claim, 7 Drawing Sheets**



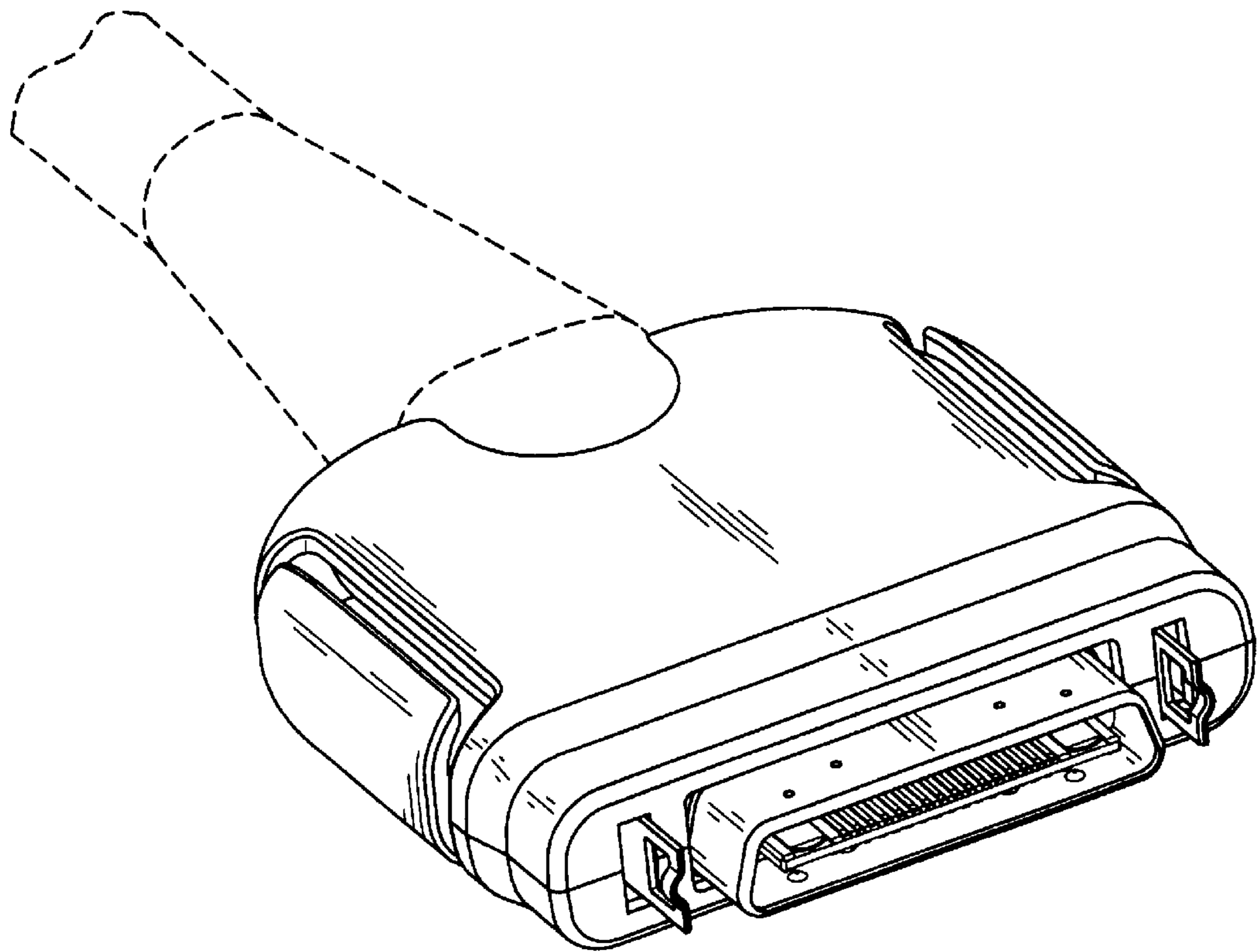


FIG. 1

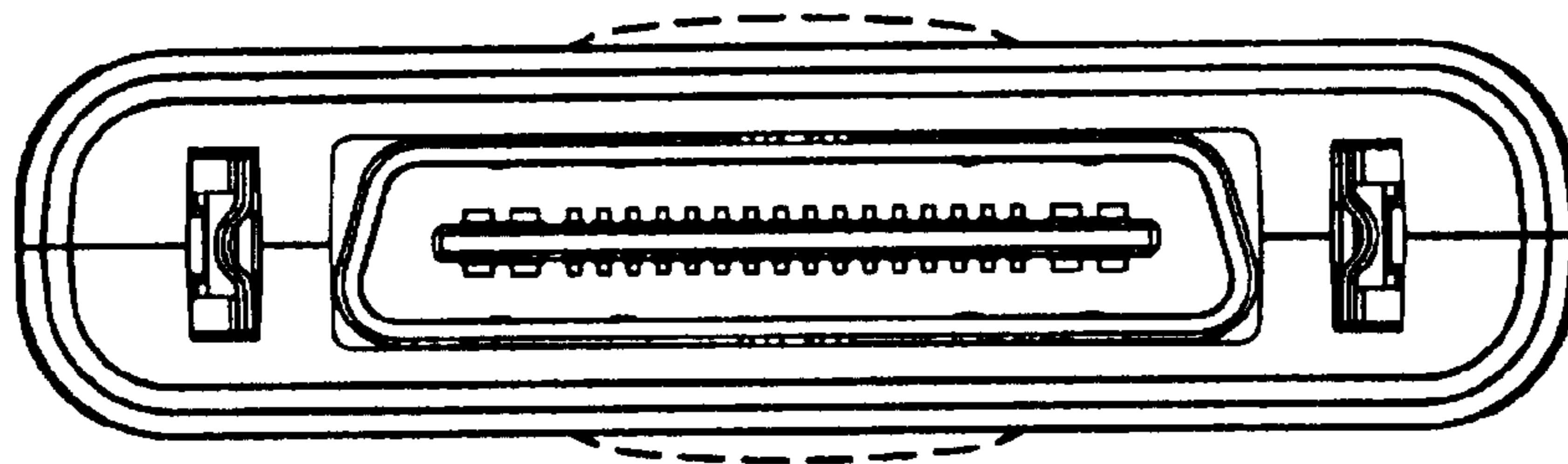


FIG. 2

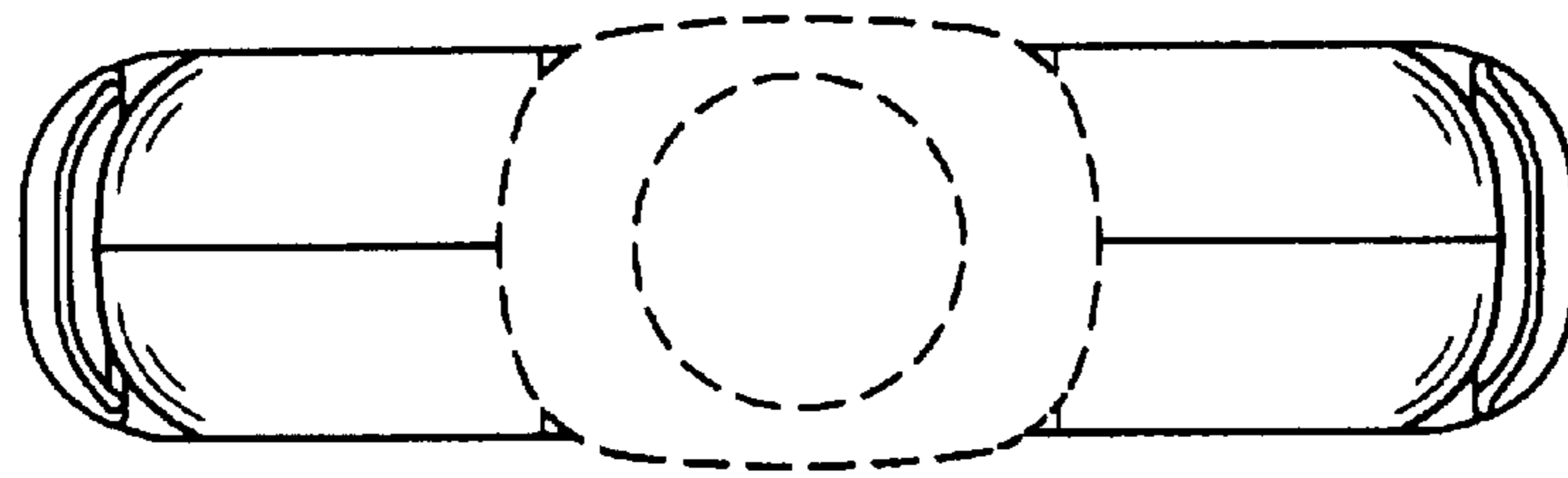


FIG. 3

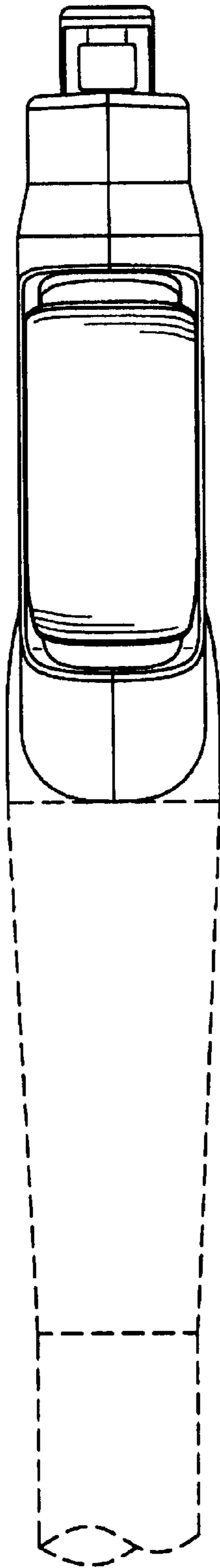


FIG. 4

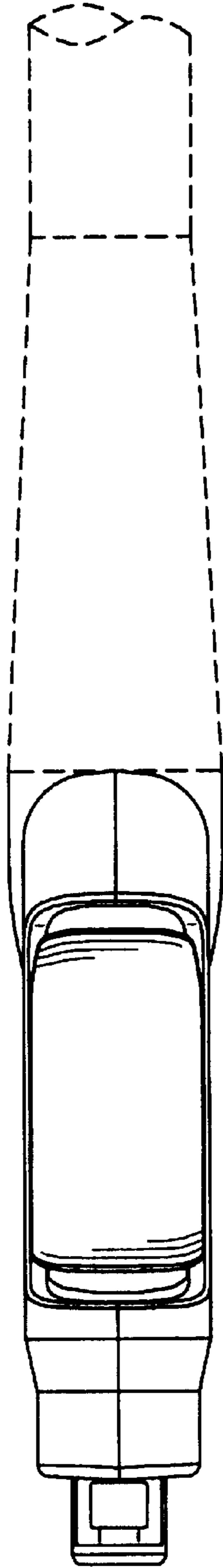


FIG. 5

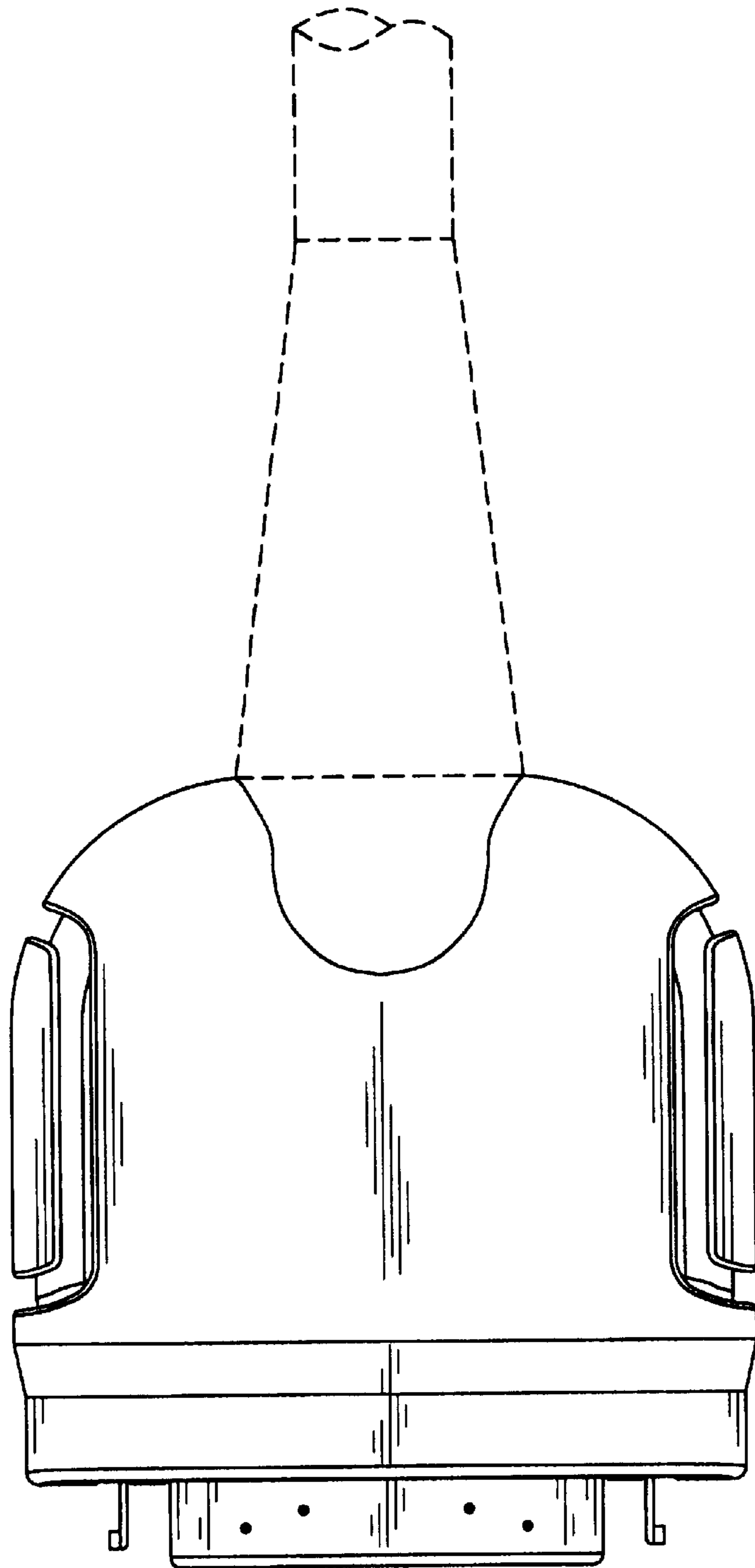


FIG. 6

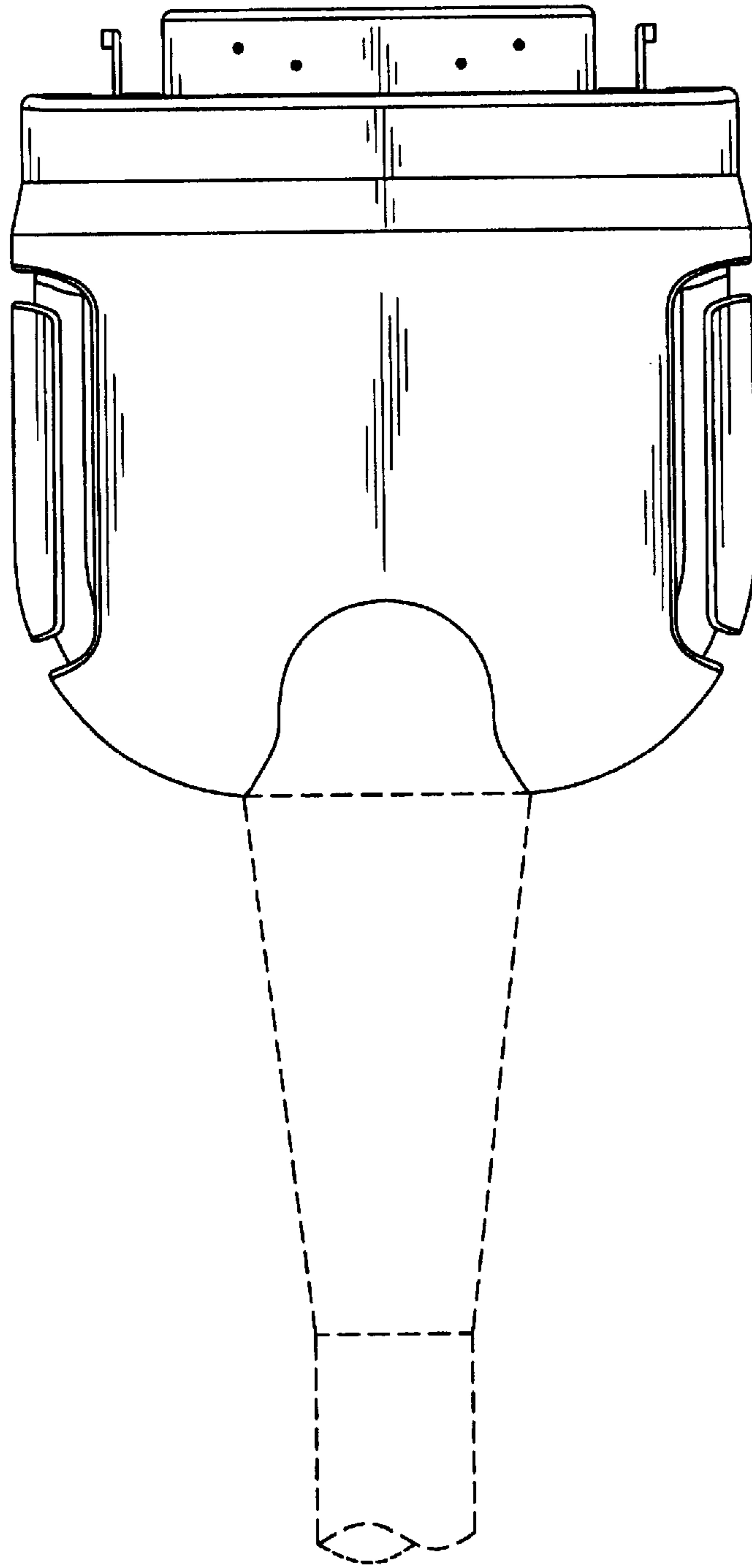


FIG. 7