



US00D529859S

(12) **United States Design Patent**
Irvine

(10) **Patent No.:** **US D529,859 S**

(45) **Date of Patent:** **** Oct. 10, 2006**

(54) **STRANGLEHOLD BOTTLE CAGE**

(76) **Inventor:** **Mark W. Irvine**, 6128 1st Ave.,
Sacramento, CA (US) 95817

(**) **Term:** **14 Years**

(21) **Appl. No.:** **29/252,739**

(22) **Filed:** **Jan. 26, 2006**

(51) **LOC (8) Cl.** **12-16**

(52) **U.S. Cl.** **D12/411**

(58) **Field of Classification Search** D12/407,
D12/411, 419, 420; 248/311.2, 312, 312.1,
248/313, 316.1; D7/619.1, 620; 224/413,
224/414, 425, 434, 448, 450, 456, 461, 462;
211/75, 85.31, 106; D6/462, 566
See application file for complete search history.

(56) **References Cited**

U.S. PATENT DOCUMENTS

1,377,350	A	10/1921	Hoskin
1,419,488	A	6/1922	Call
4,009,810	A	3/1977	Shook
4,784,360	A	11/1988	Mok
5,326,006	A	7/1994	Giard, Jr.
5,425,484	A	6/1995	Kawand et al.
5,704,525	A	1/1998	Barro
5,810,228	A	9/1998	Brokering
6,059,245	A	5/2000	Hermansen et al.
6,543,660	B1	4/2003	Young et al.
6,854,629	B1	2/2005	Sartore

OTHER PUBLICATIONS

Bike Nashbar® 2000 Fall Catalog 151, Kool Hand Keeler
Cage and Blackburn Competition Cage on 75.*

* cited by examiner

Primary Examiner—Alan P. Douglas

Assistant Examiner—Linda Brooks

(74) *Attorney, Agent, or Firm*—Pitts & Brittian, PC

(57) **CLAIM**

I claim the ornamental design for a stranglehold bottle cage,
as shown and described.

DESCRIPTION

FIG. 1 is a perspective view of the design of the present
invention for a stranglehold bottle cage showing a bottle, in
phantom, being retained thereby;

FIG. 2 is a front elevation view of the stranglehold bottle
cage of FIG. 1;

FIG. 3 is a rear elevation view of the stranglehold bottle cage
of FIG. 1;

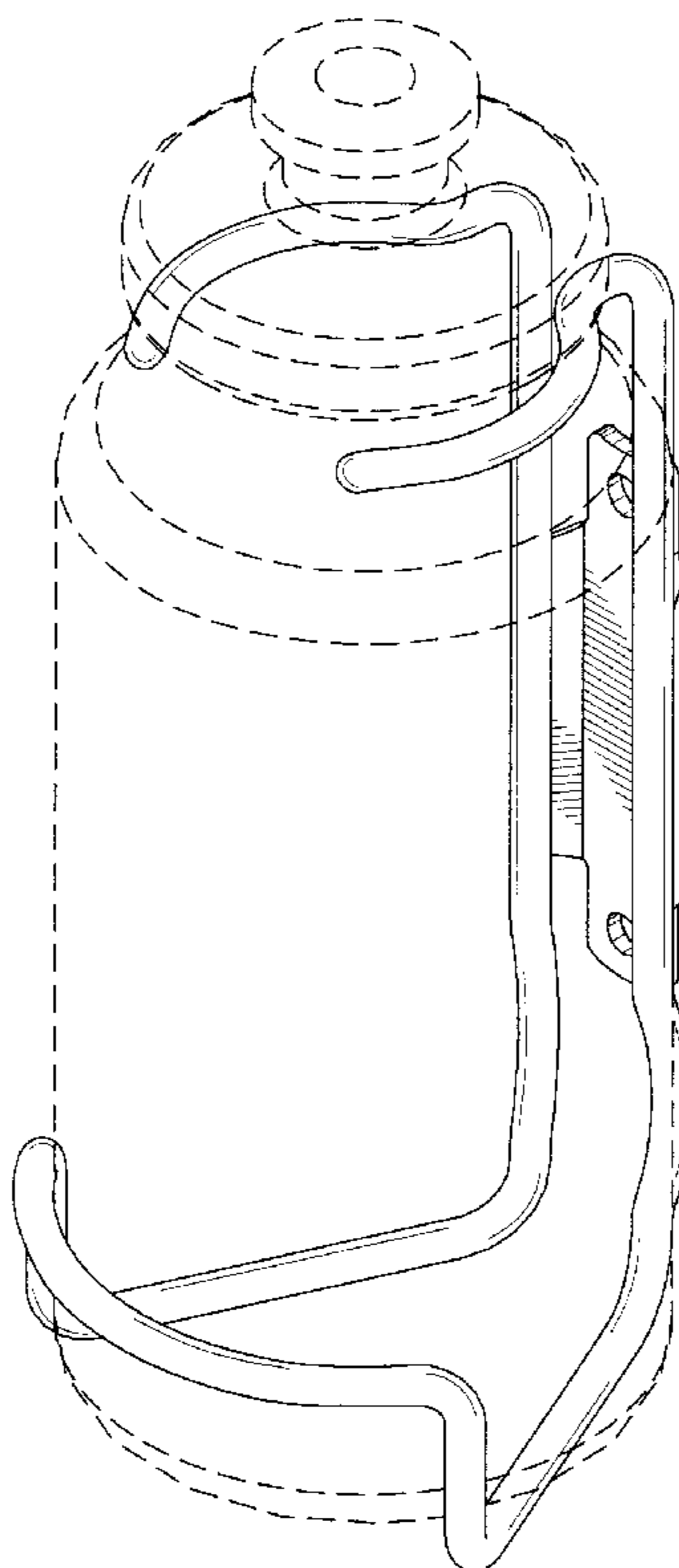
FIG. 4 is a left side elevation view of the stranglehold bottle
cage of FIG. 1, the right side elevation view being a mirror
image thereof;

FIG. 5 is a top end view of the stranglehold bottle cage of
FIG. 1; and,

FIG. 6 is a bottom end view of the stranglehold bottle cage
of FIG. 1.

The features of the bottle shown in broken lines are for
illustrative purposes only and form no part of the claimed
design.

1 Claim, 5 Drawing Sheets



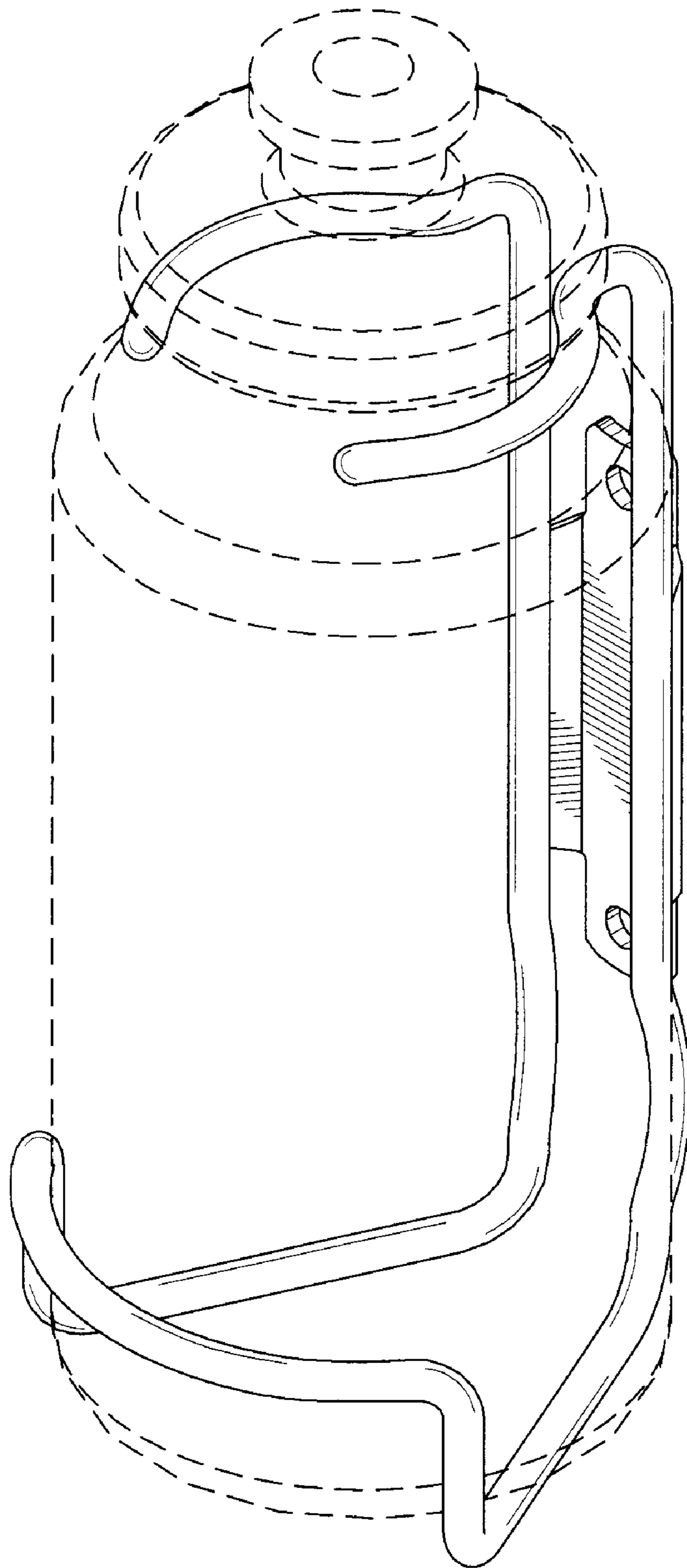


Fig. 1

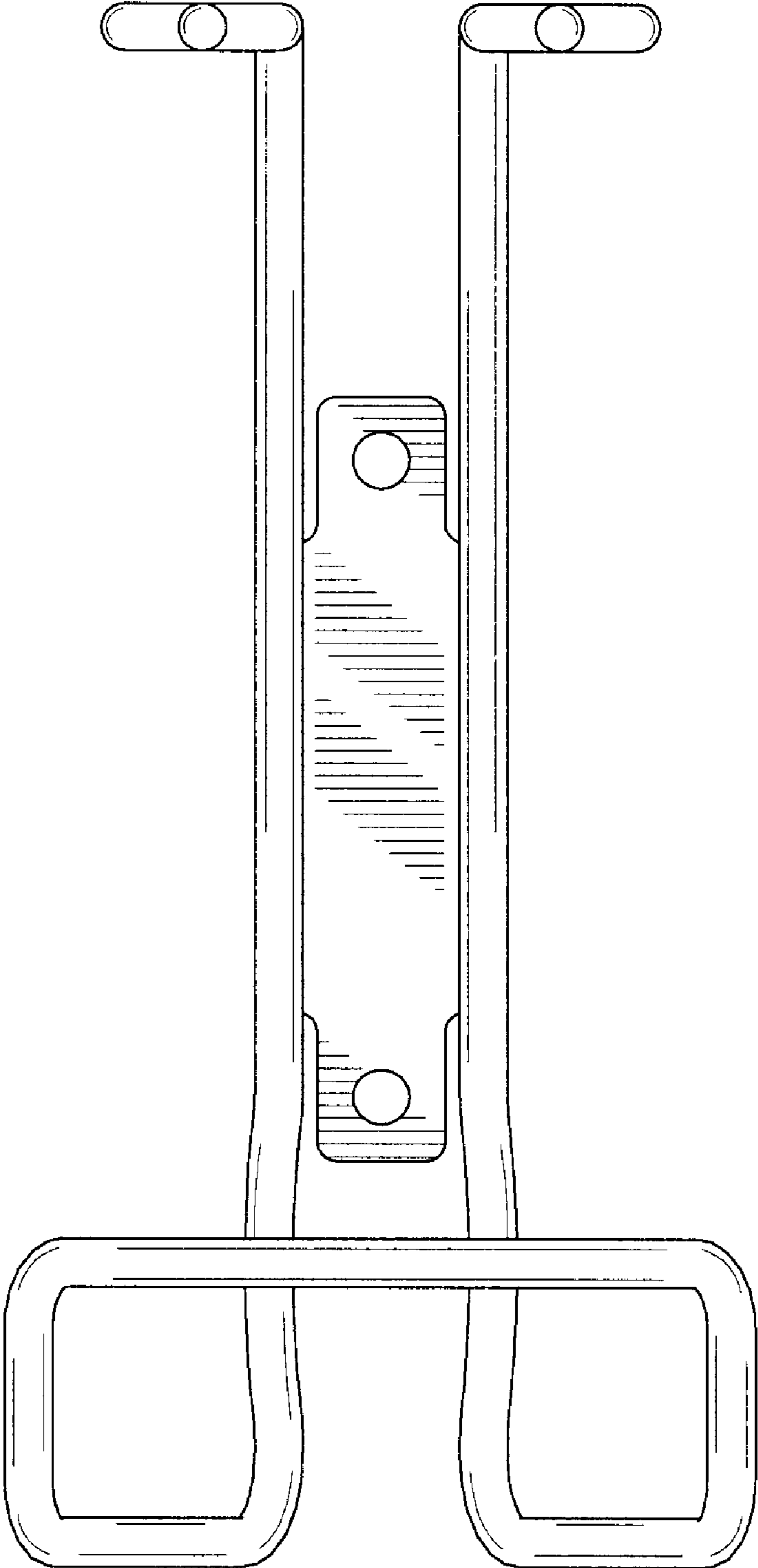


Fig. 2

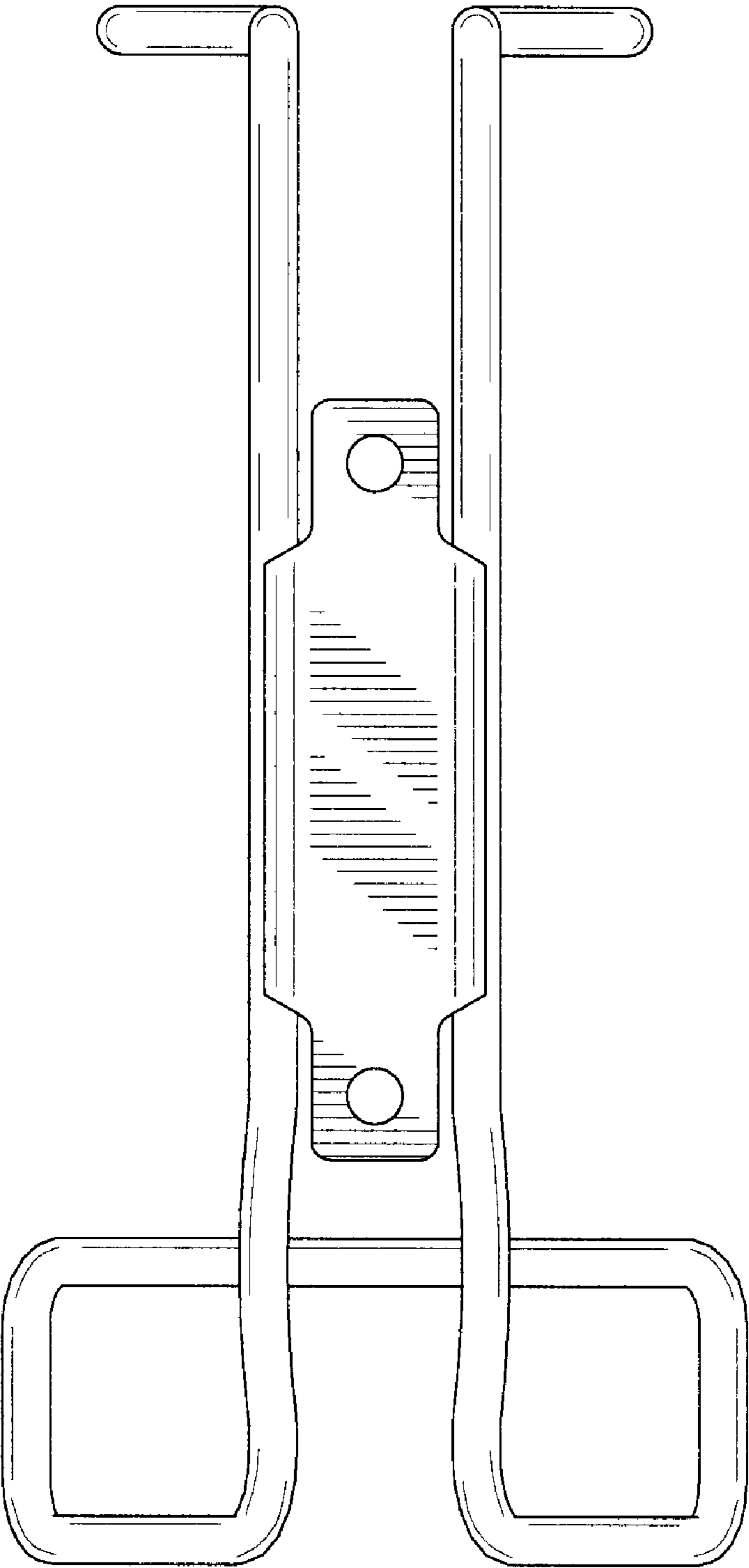


Fig. 3

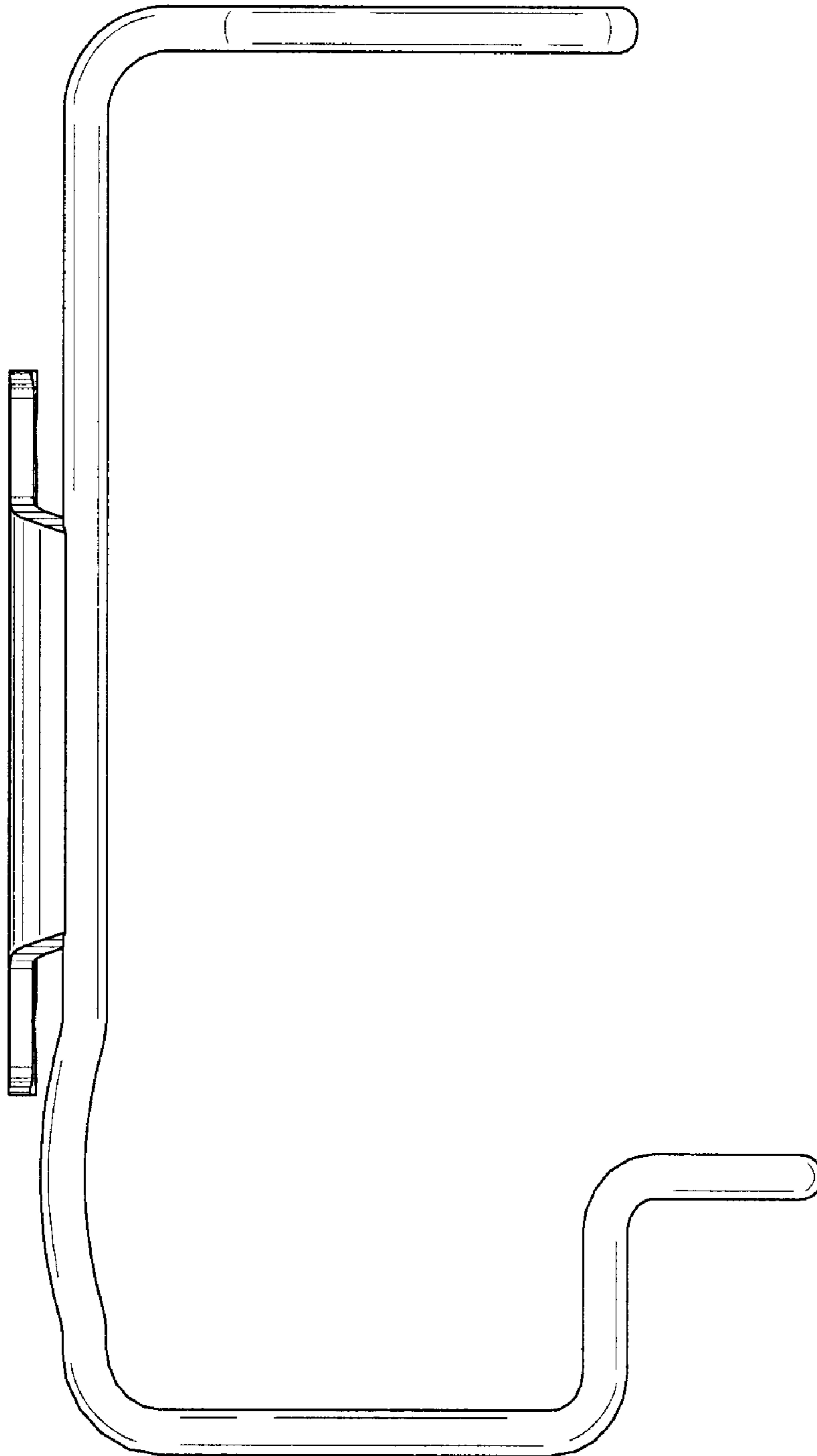


Fig. 4

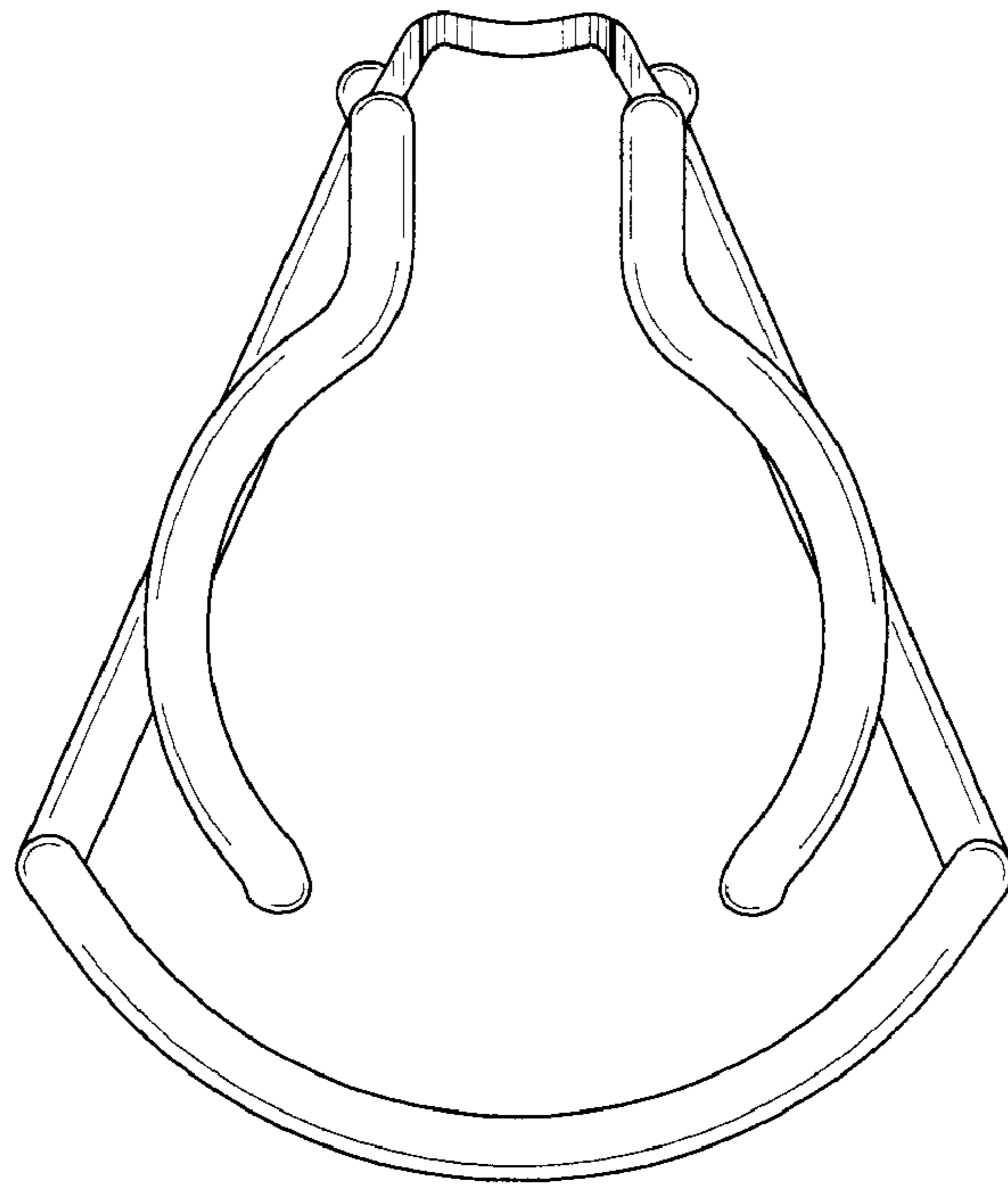


Fig.5

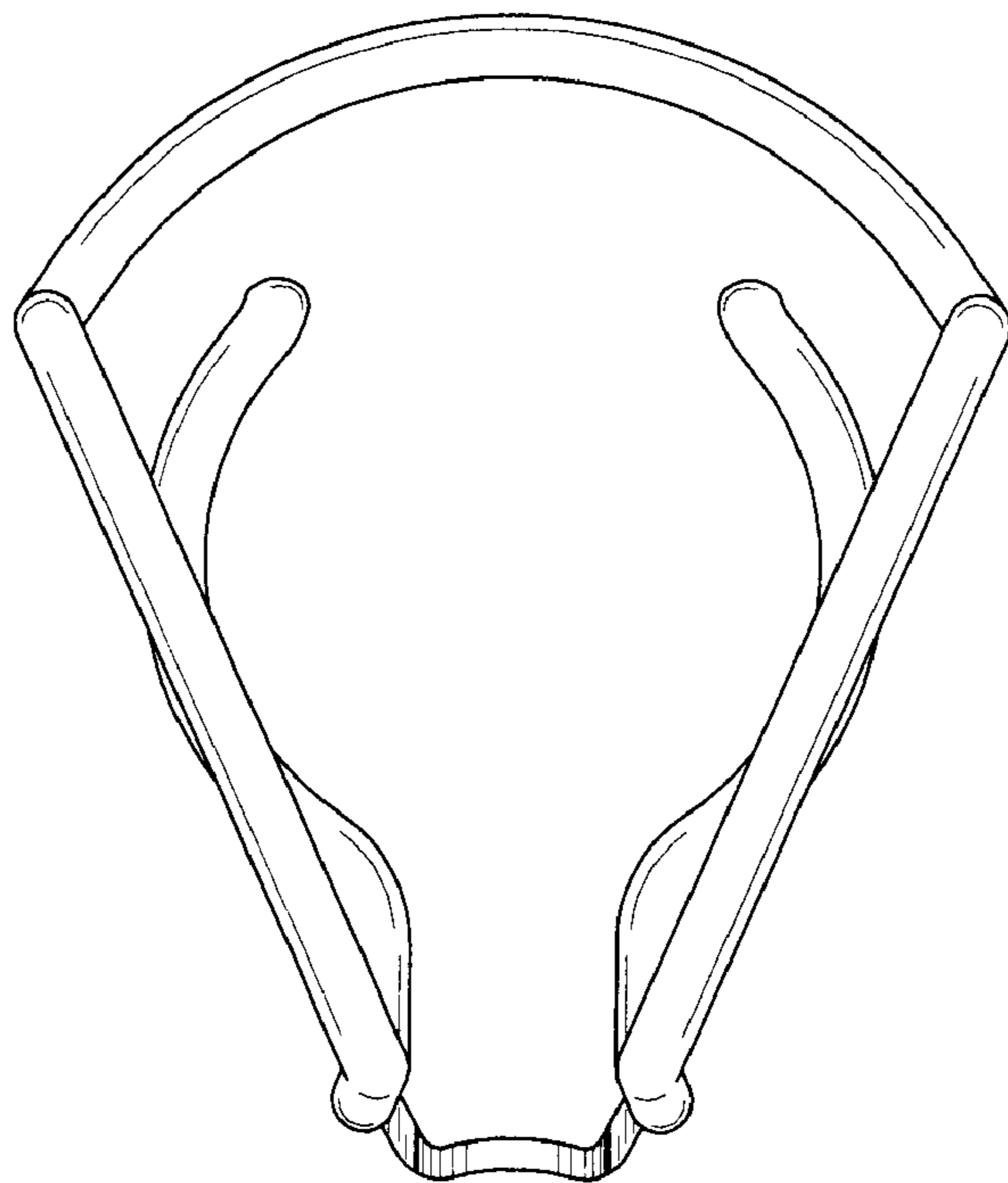


Fig.6