

US00D529855S

(12) **United States Design Patent**
Kern

(10) **Patent No.:** **US D529,855 S**

(45) **Date of Patent:** **** Oct. 10, 2006**

- (54) **WHEEL**
- (75) Inventor: **Steven J. Kern**, Playa del Rey, CA (US)
- (73) Assignee: **GB Automotive Products, Inc.**, Hawthorne, CA (US)
- (**) Term: **14 Years**
- (21) Appl. No.: **29/241,394**
- (22) Filed: **Oct. 27, 2005**
- (51) **LOC (8) Cl.** **12-16**
- (52) **U.S. Cl.** **D12/211**
- (58) **Field of Classification Search** D12/204–213;
301/37.101, 64.101, 65
See application file for complete search history.

- D422,257 S 4/2000 Pruden
- D428,378 S 7/2000 Lee
- D428,847 S * 8/2000 Hussaini et al. D12/211
- D431,514 S 10/2000 Cullen
- D431,517 S 10/2000 Donikoglu
- D432,481 S 10/2000 Brown
- D432,972 S 10/2000 Chung
- D433,658 S 11/2000 Donikoglu
- D435,823 S 1/2001 Fitzgerald
- D436,569 S 1/2001 Brown
- D436,570 S 1/2001 Lee
- D438,834 S 3/2001 Ong
- D441,705 S * 5/2001 Brintouch D12/204
- D442,531 S 5/2001 Brintouch
- D444,439 S 7/2001 Cullen
- D445,082 S 7/2001 Chung
- D445,083 S 7/2001 Chung
- D445,752 S 7/2001 Lee
- D446,180 S 8/2001 Sulahian
- D446,493 S 8/2001 Sulahian
- D447,993 S 9/2001 Neeper
- D448,712 S 10/2001 Laengerer
- D449,810 S 10/2001 Hussaini
- D449,811 S 10/2001 Fitzgerald
- D450,026 S 11/2001 Donikoglu
- D450,650 S 11/2001 Cinibulk
- D451,066 S 11/2001 Pfeiffer
- D451,463 S 12/2001 Murkett
- D452,209 S 12/2001 Chung

(56) **References Cited**

U.S. PATENT DOCUMENTS

- D204,669 S 5/1966 Goodwin
- D207,001 S 2/1967 Fenton
- D208,542 S 9/1967 Halibrand
- D216,507 S 1/1970 Whitney
- D236,975 S 9/1975 May et al.
- D258,503 S 3/1981 Semple
- D282,836 S 3/1986 Main
- D325,018 S 3/1992 Nordmann
- D347,203 S 5/1994 Buyze et al.
- D367,460 S 2/1996 Chung
- D367,461 S 2/1996 Chung
- D381,618 S 7/1997 Suprihanto
- D381,950 S 8/1997 Clement
- D384,632 S * 10/1997 Lempert D12/211
- D386,461 S 11/1997 Neeper
- D392,611 S 3/1998 Echazabal
- D396,838 S 8/1998 Mills
- D399,181 S * 10/1998 McMath D12/211
- D403,644 S 1/1999 Elbertse et al.
- D407,055 S 3/1999 Kelley
- D409,552 S 5/1999 Chung
- D409,553 S 5/1999 Neeper
- D416,532 S 11/1999 Cullen
- D421,417 S 3/2000 Weidhase

(Continued)

Primary Examiner—Stacia Cadmus
(74) *Attorney, Agent, or Firm*—Stetina Brunda Garred & Brucker

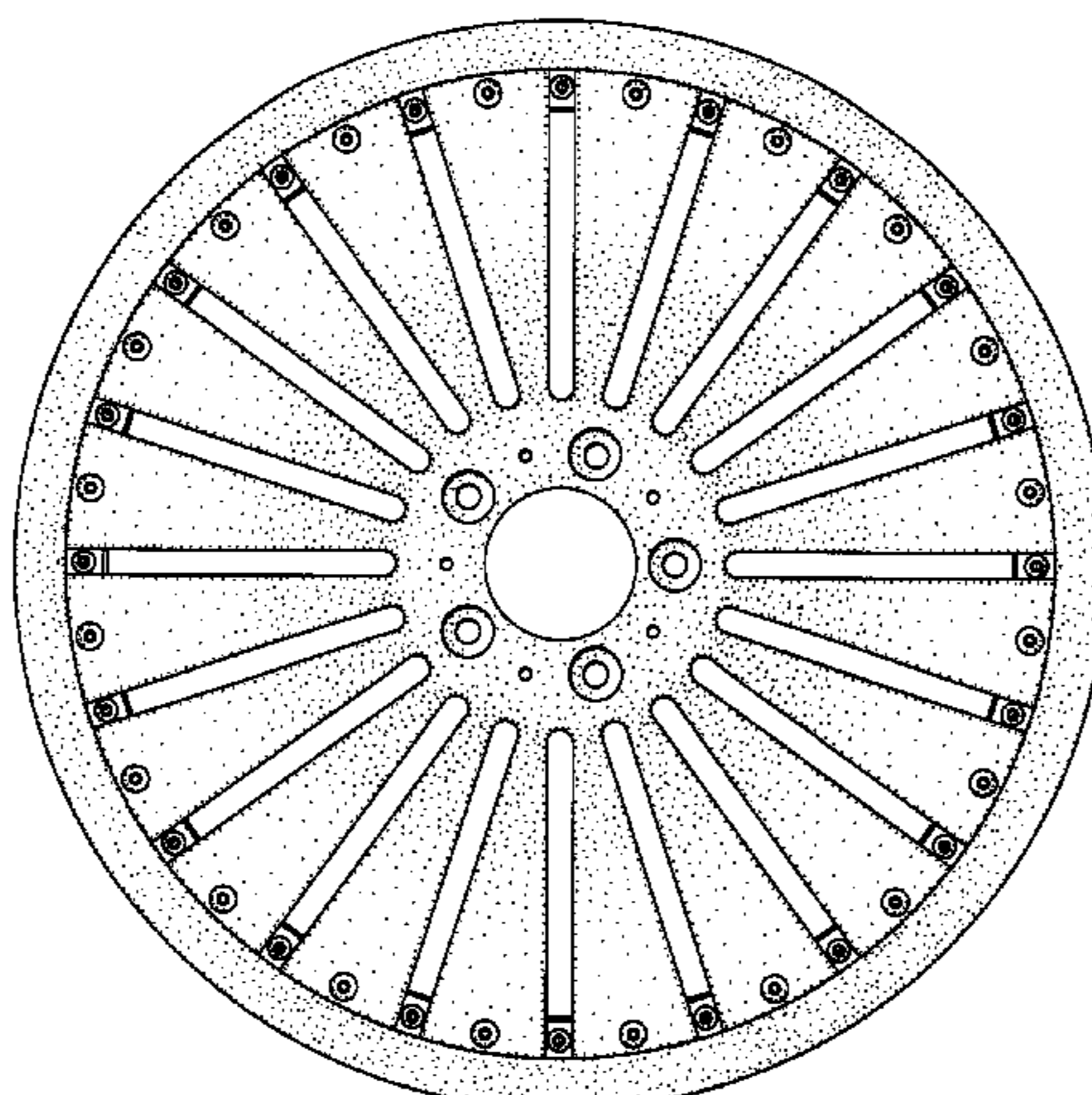
(57) **CLAIM**

The ornamental design for a wheel, as shown and described.

DESCRIPTION

FIG. 1 is a front perspective view of the wheel showing my new design;
FIG. 2 is a front elevational view of the wheel showing my new design; and,
FIG. 3 is a side elevational view thereof.

1 Claim, 2 Drawing Sheets



US D529,855 S

Page 2

U.S. PATENT DOCUMENTS

D453,492 S	2/2002	Laengerer		
D455,697 S	4/2002	Chung		
D464,308 S	10/2002	Chung		
D465,757 S	11/2002	Kataoka		
D466,849 S	12/2002	Lee		
D466,851 S	12/2002	Pfeiffer		
D467,215 S	12/2002	Kern		
D478,305 S	8/2003	Kern		
D478,539 S	8/2003	Brown		
D481,346 S	10/2003	Vian		
D488,423 S	4/2004	Chu		
D489,666 S	* 5/2004	Foose	D12/209
D491,871 S	6/2004	Kang		
D493,403 S	7/2004	Kataoka		
D493,407 S	7/2004	Yu		
D494,121 S	8/2004	Sulahian		
D496,318 S	9/2004	Cheng		
D496,622 S	9/2004	Cheng		
D497,583 S	10/2004	Walbey		
D499,061 S	11/2004	Echazabal		
D499,684 S	12/2004	Cheng		
D500,277 S	12/2004	Kataoka		
D500,723 S	1/2005	Alimchandani		
D504,375 S	* 4/2005	Hussaini et al.	D12/204
D504,379 S	* 4/2005	Kern	D12/209
D506,428 S	6/2005	Hussaini		
D509,175 S	9/2005	Marji		

* cited by examiner

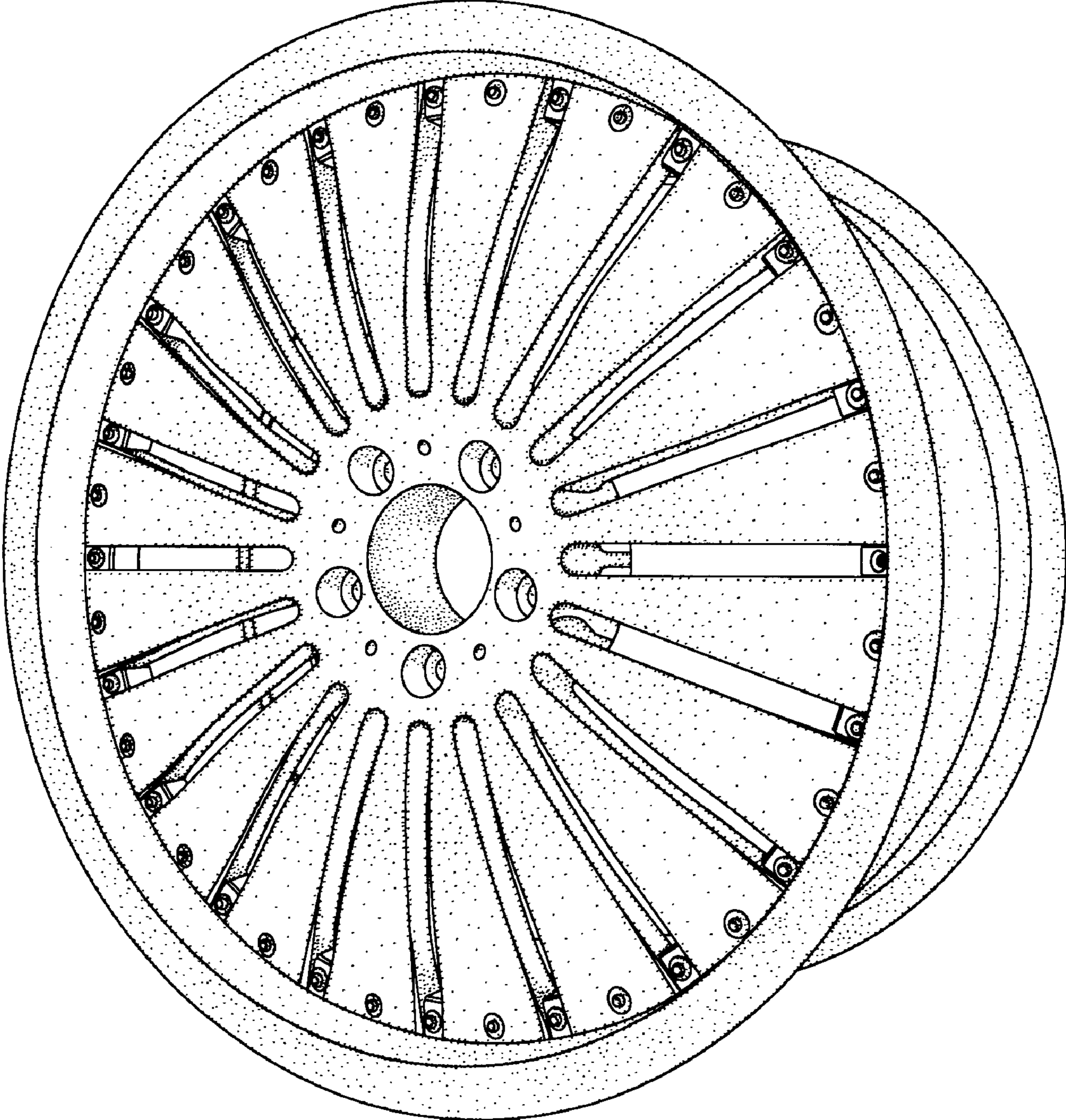


Fig. 1

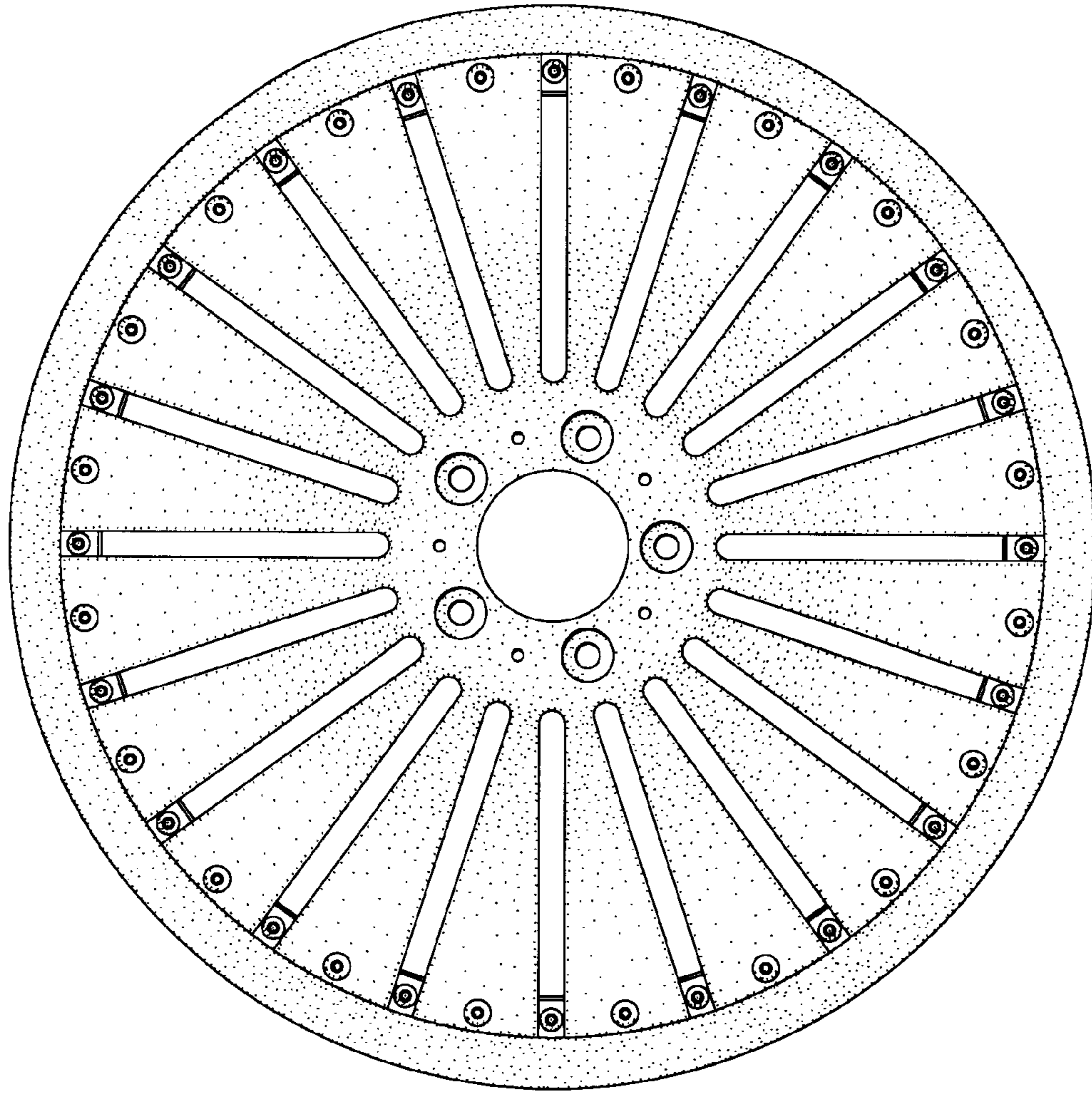


Fig. 2

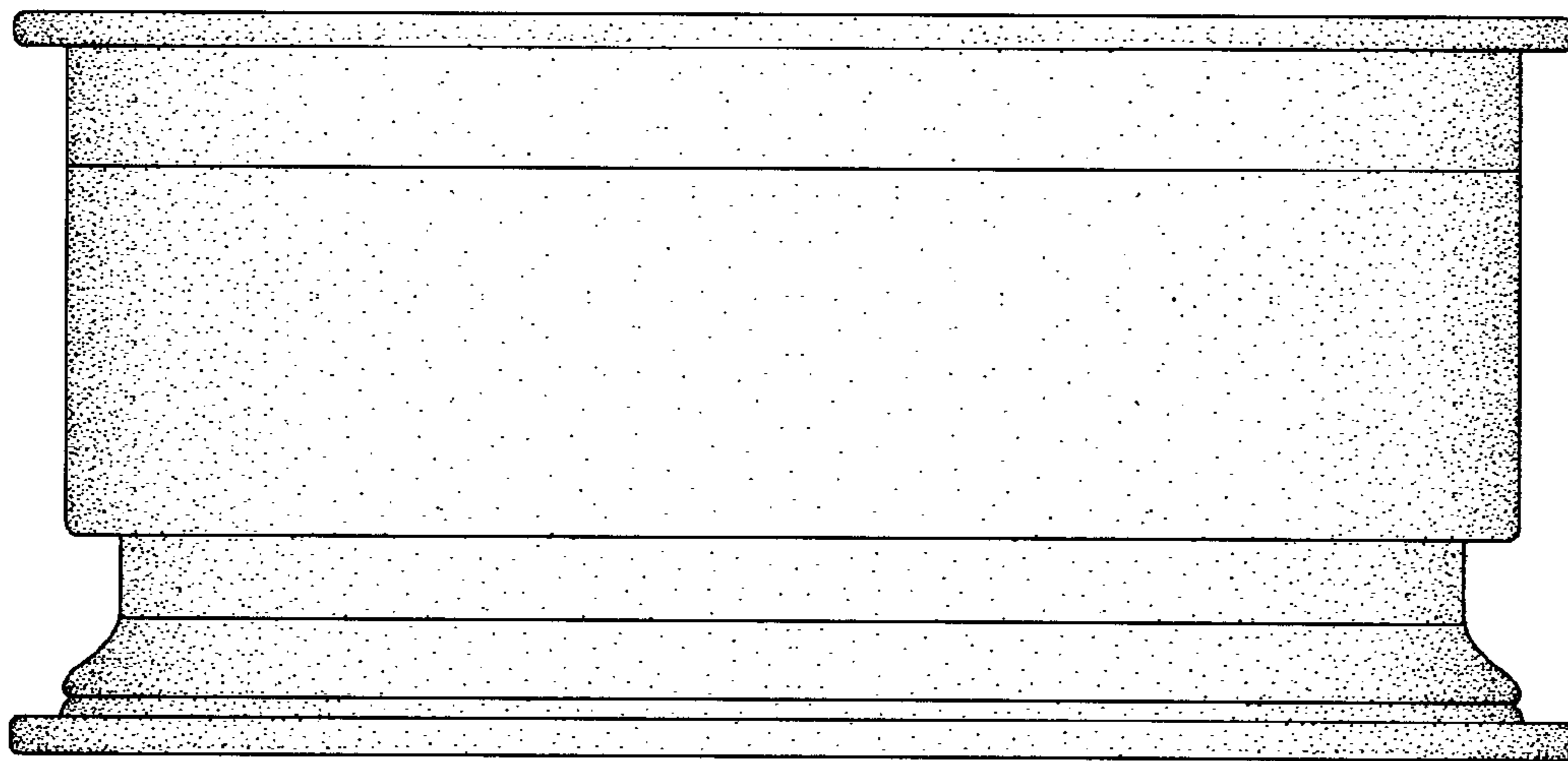


Fig. 3