

US00D529844S

(12) **United States Design Patent**
Chen et al.

(10) **Patent No.:** **US D529,844 S**

(45) **Date of Patent:** **** Oct. 10, 2006**

(54) **STROLLER**

D506,417 S * 6/2005 Liao D12/129
D519,422 S * 4/2006 Huang D12/129

(75) Inventors: **Shun-Min Chen**, Taipei (TW);
Wen-Qu Hu, Taipei (TW)

* cited by examiner

(73) Assignee: **Wonderland Nurserygoods Co., Ltd.**,
Taipei (TW)

Primary Examiner—Marcus A. Jackson

(74) *Attorney, Agent, or Firm*—DLA Piper Rudnick Gray
Cary US LLP

(**) Term: **14 Years**

(57) **CLAIM**

The ornamental design for stroller, as shown and described.

(21) Appl. No.: **29/232,535**

(22) Filed: **Jun. 20, 2005**

DESCRIPTION

(51) **LOC (8) Cl.** **12-12**

(52) **U.S. Cl.** **D12/129**

(58) **Field of Classification Search** D12/128–133;
280/641, 642, 643, 647, 650, 657, 658
See application file for complete search history.

FIG. 1 is a perspective view of stroller showing my new design;

FIG. 2 is a front elevational view thereof;

FIG. 3 is a rear elevational view thereof;

FIG. 4 is a left side elevational view thereof;

FIG. 5 is a right side elevational view thereof;

FIG. 6 is a top plan view thereof;

FIG. 7 is a bottom plan view thereof; and,

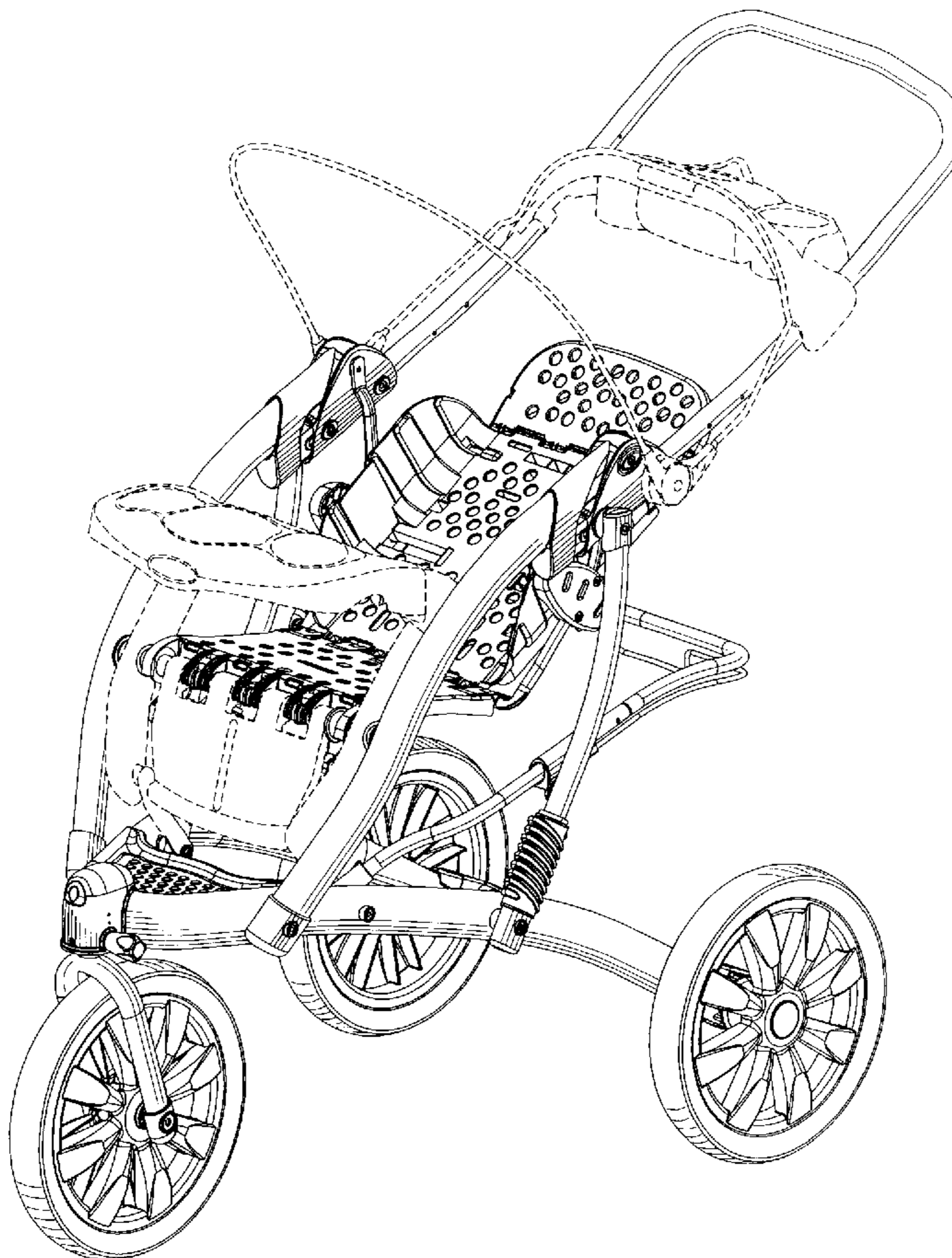
FIGS. 8 and 9 are perspective views in use. The portions shown in dashed lines are for illustrative purposes only and form no part of the claimed design.

(56) **References Cited**

U.S. PATENT DOCUMENTS

D362,419 S * 9/1995 Chih D12/129
D442,895 S * 5/2001 Chiu D12/129
D498,714 S * 11/2004 Chou D12/129

1 Claim, 9 Drawing Sheets



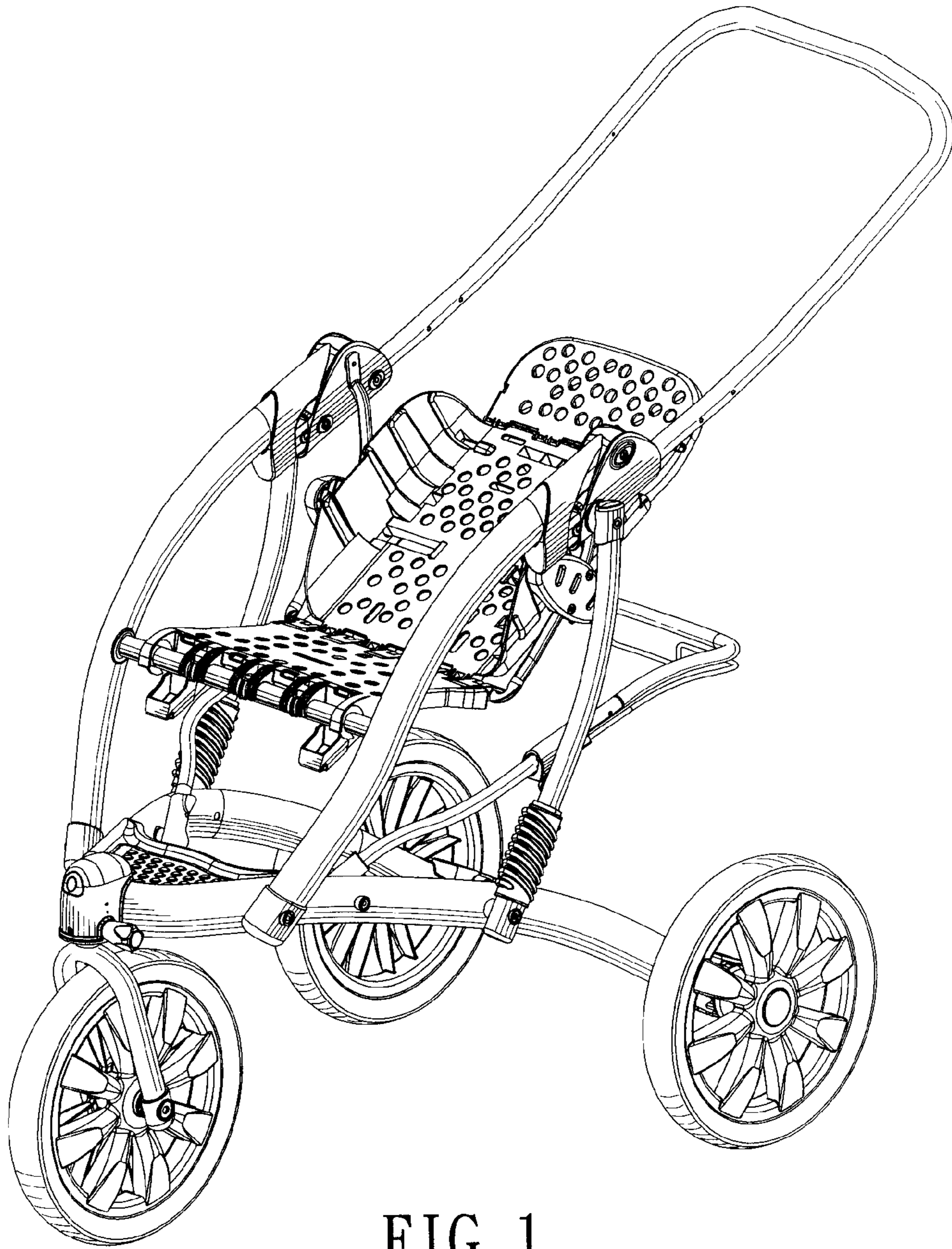


FIG. 1

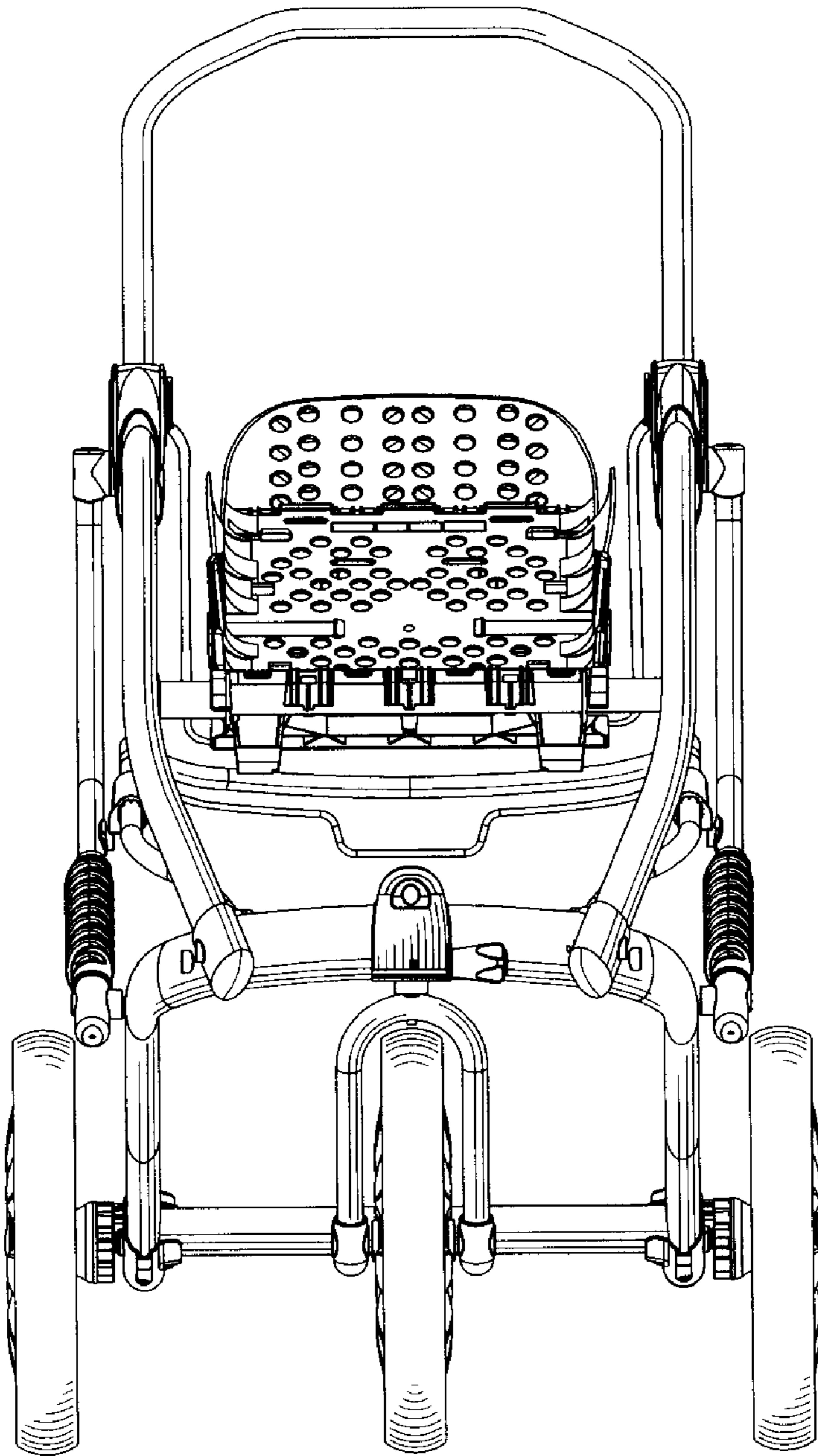


FIG. 2

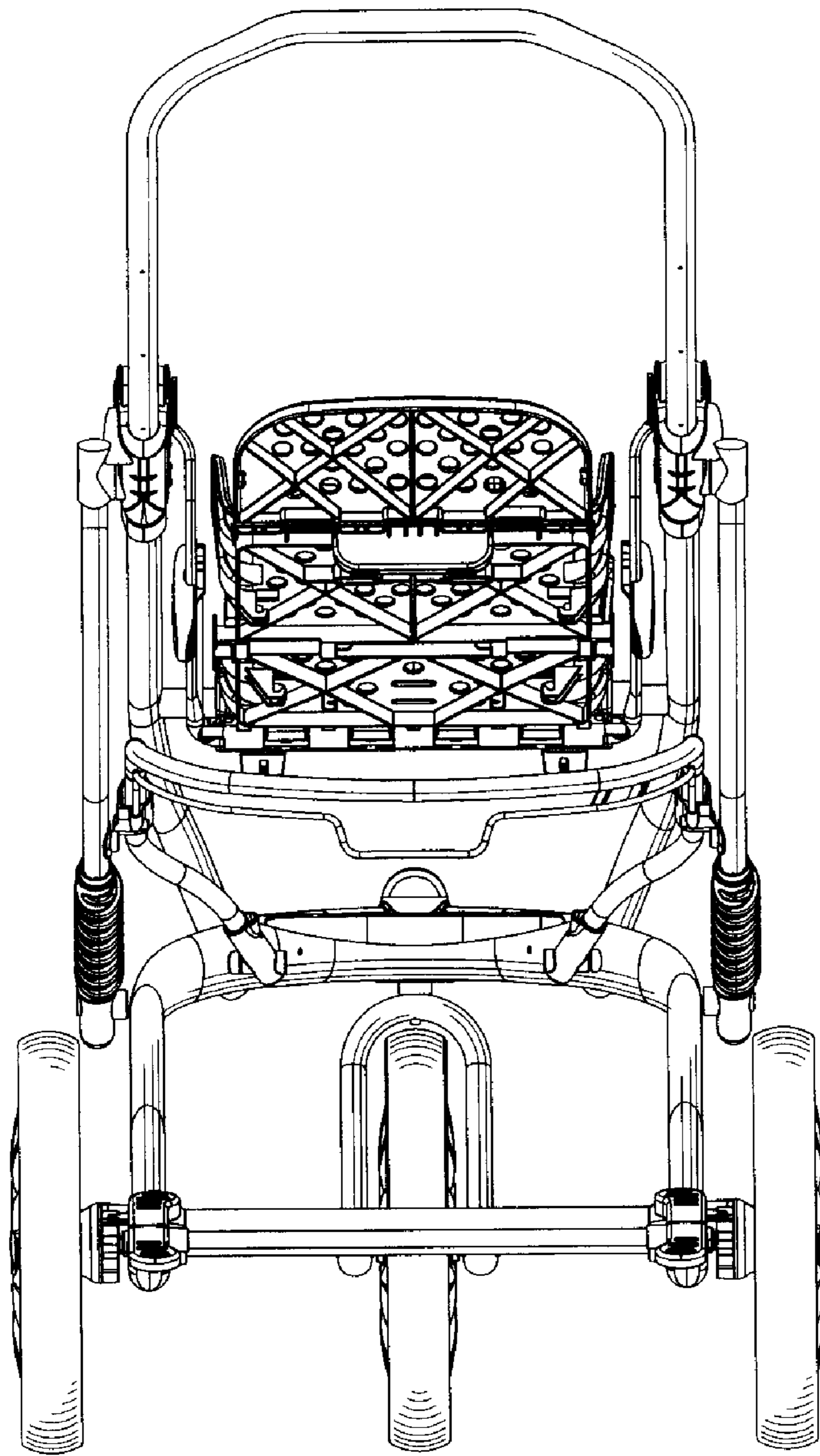


FIG. 3

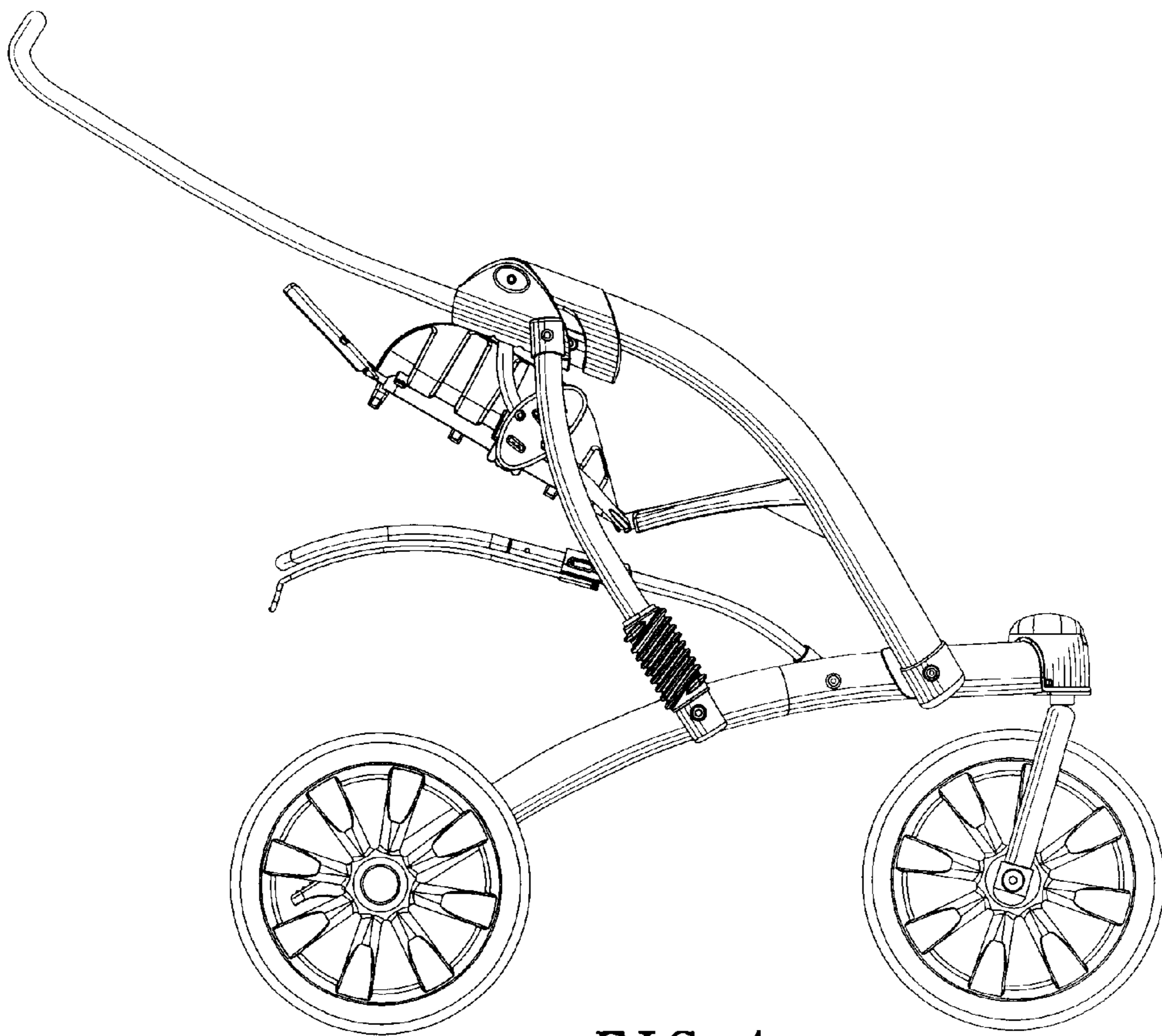


FIG. 4

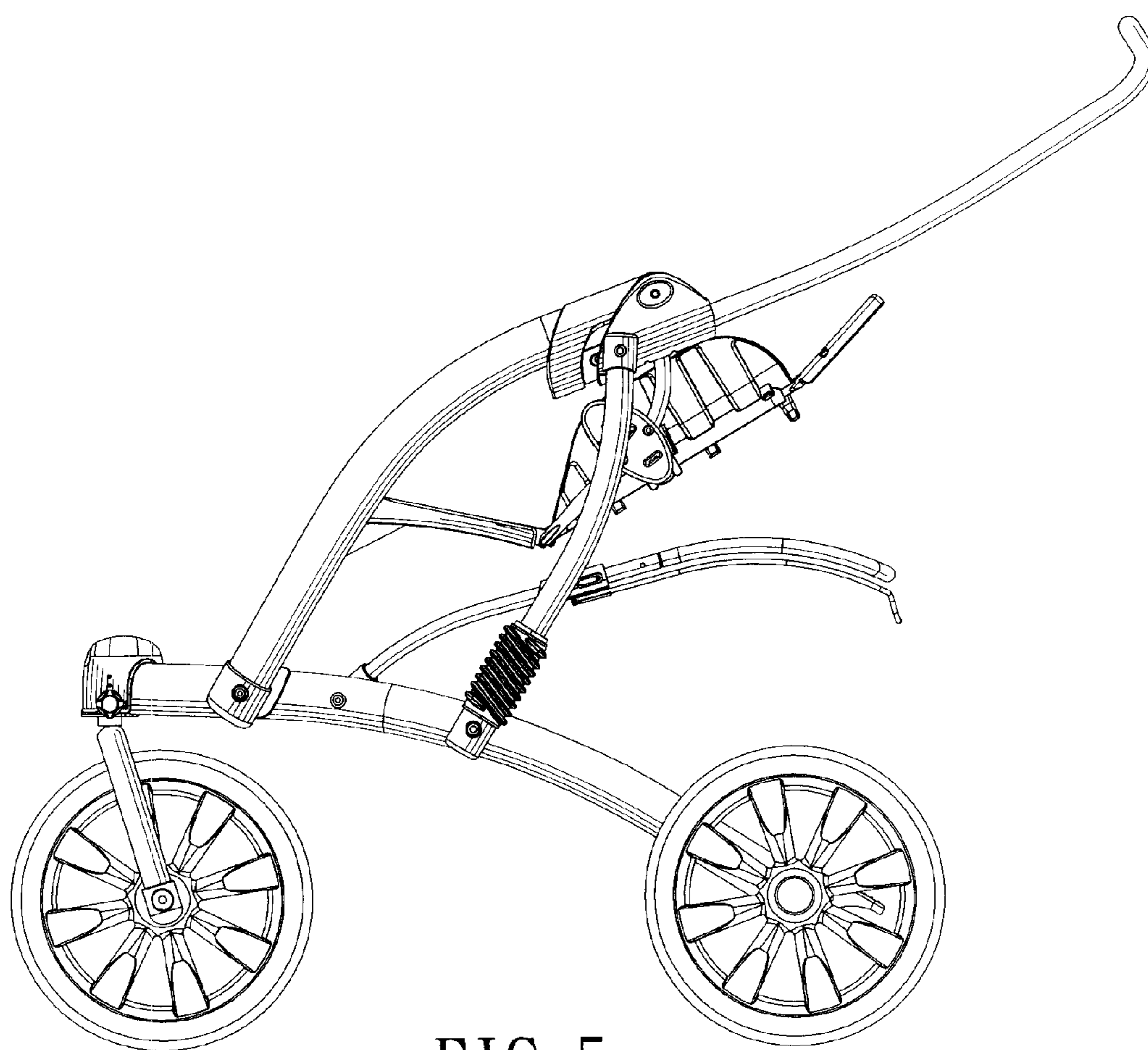


FIG. 5

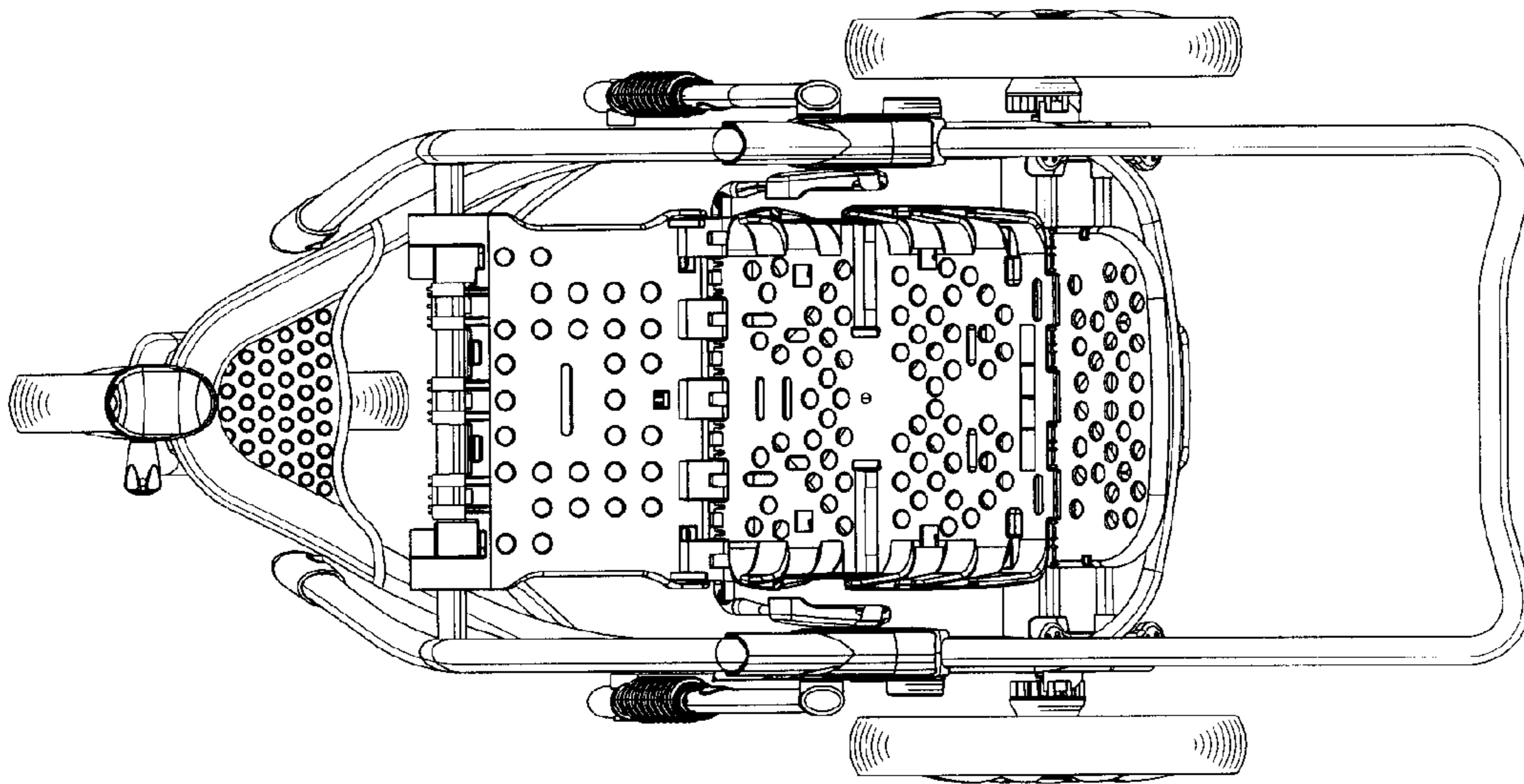


FIG. 6

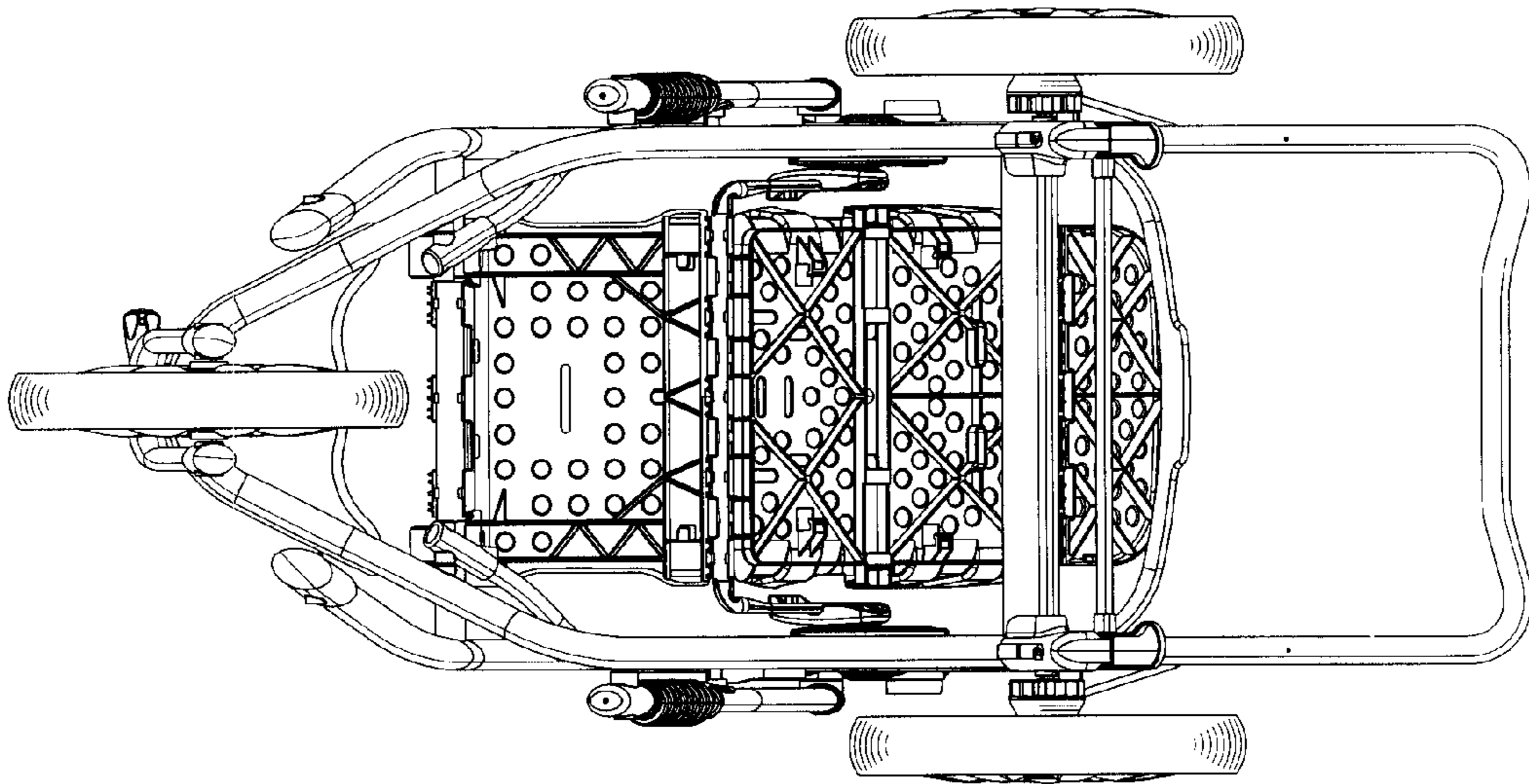


FIG. 7

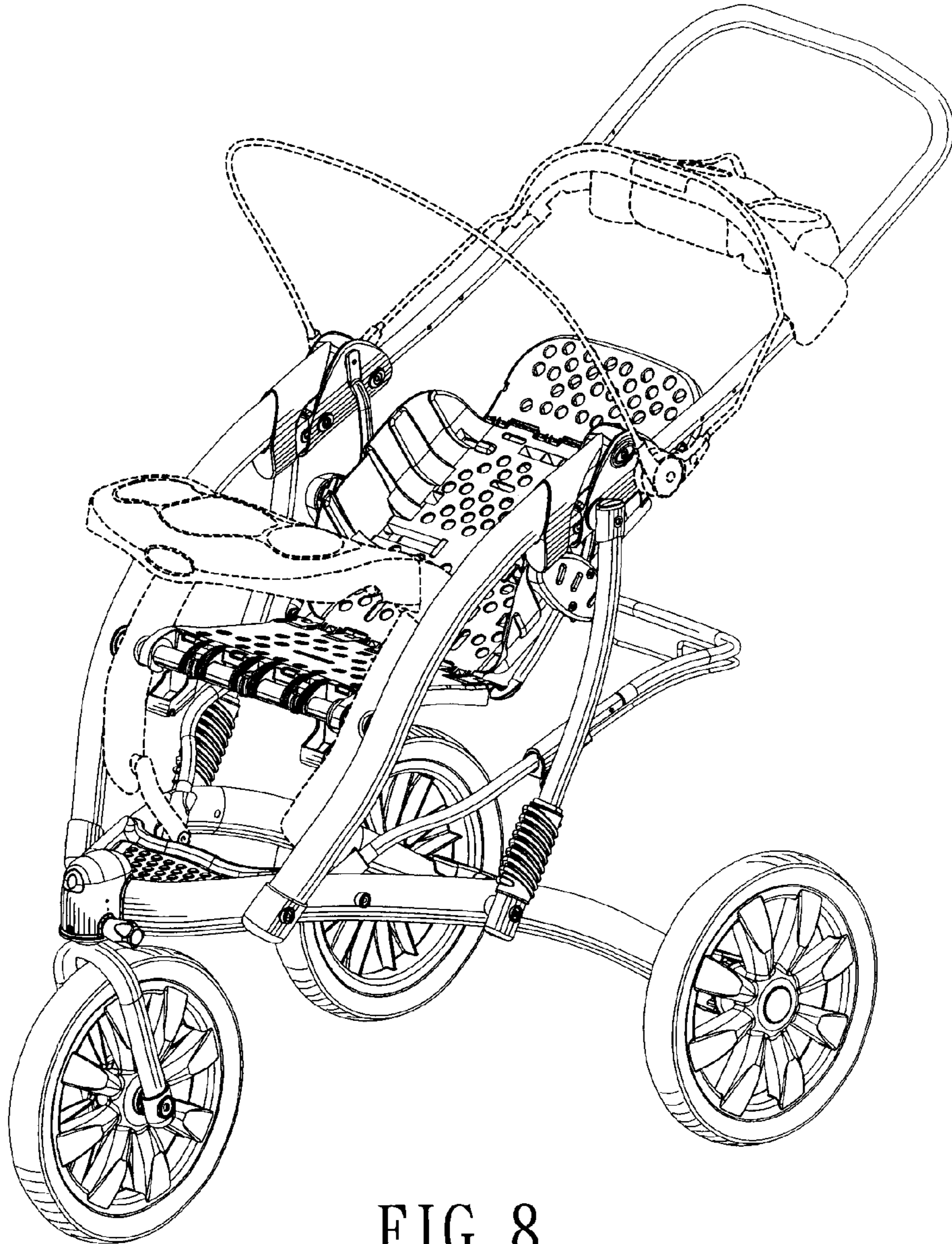


FIG. 8

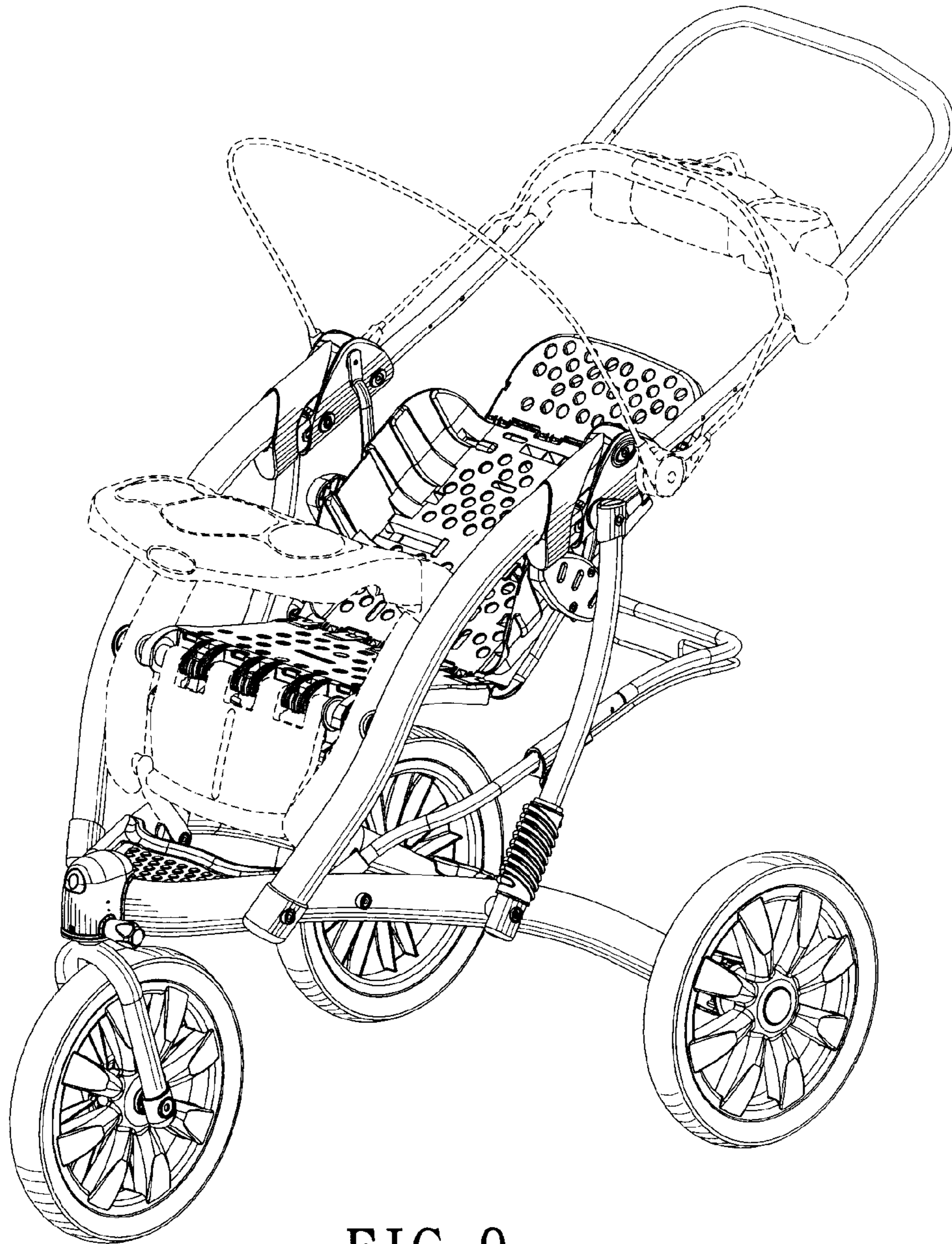


FIG. 9