



US00D529843S

(12) **United States Design Patent**
Pizzi

(10) **Patent No.:** **US D529,843 S**
(45) **Date of Patent:** **** Oct. 10, 2006**

(54) **ELECTRIC BICYCLE**

D488,406 S * 4/2004 Sramek D12/111

(75) Inventor: **Larry N. Pizzi**, Santa Monica, CA (US)

* cited by examiner

(73) Assignee: **Currie Technologies, Inc.**, Chatsworth, CA (US)

Primary Examiner—Alan P. Douglas

Assistant Examiner—Linda Brooks

(**) Term: **14 Years**

(74) *Attorney, Agent, or Firm*—Jack C. Munro

(21) Appl. No.: **29/242,526**

(57) **CLAIM**

(22) Filed: **Nov. 11, 2005**

The ornamental design for a electric bicycle, as shown.

(51) **LOC (8) Cl.** **12-11**

DESCRIPTION

(52) **U.S. Cl.** **D12/111**

FIG. 1 is a front elevational view of the electric bicycle showing my new design;

(58) **Field of Classification Search** D12/110,

D12/111; 280/274–288, 281.1, 288.1, 288.2,

280/288.3, 827, 828; D21/432, 538; 446/440;

180/219, 220, 205, 206, 65.1

See application file for complete search history.

FIG. 2 is a right side elevational view thereof;

FIG. 3 is a rear elevational view thereof;

FIG. 4 is a left side elevational view thereof; and,

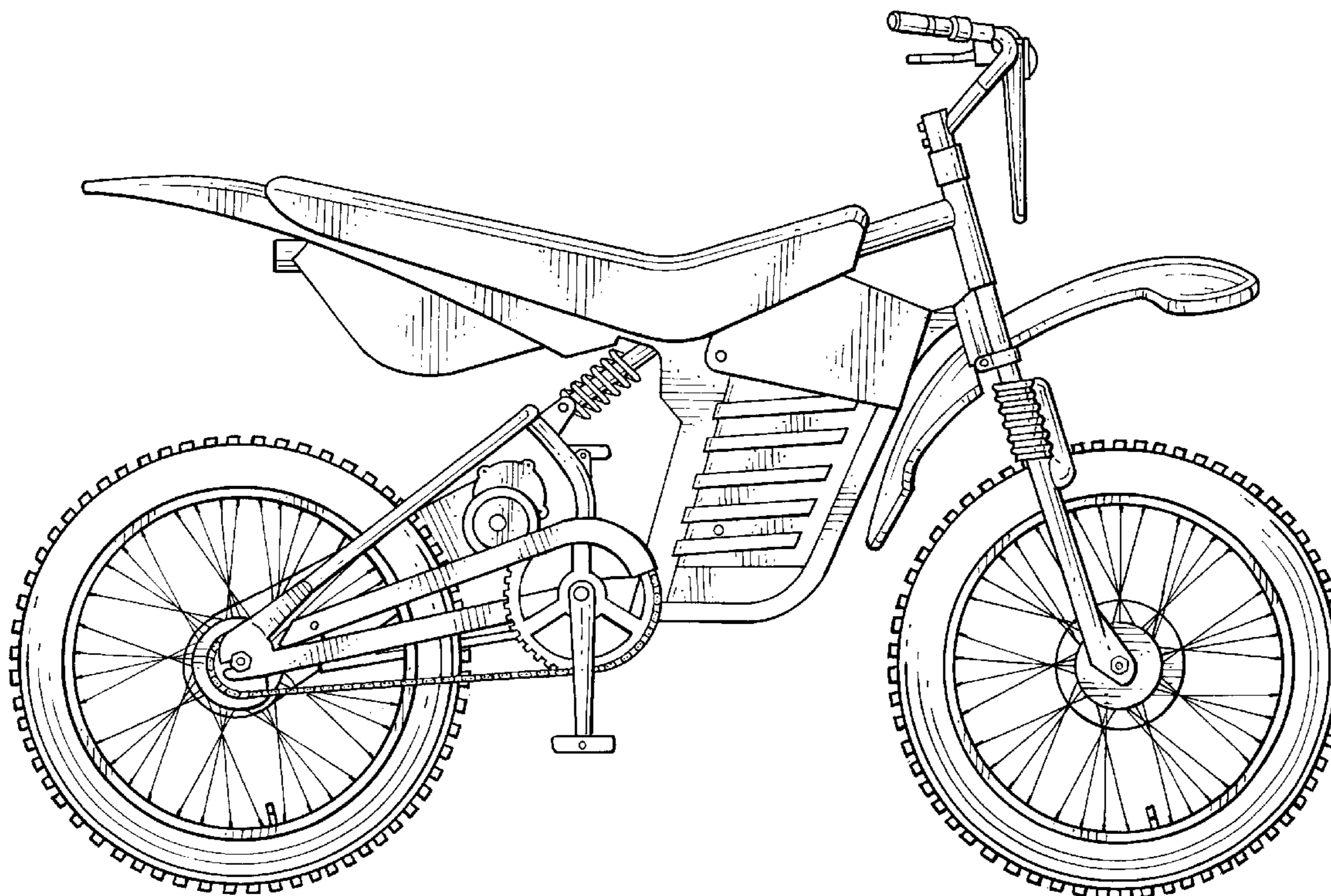
FIG. 5 is top plan view thereof.

(56) **References Cited**

U.S. PATENT DOCUMENTS

D291,292 S * 8/1987 Smith et al. D12/111

1 Claim, 4 Drawing Sheets



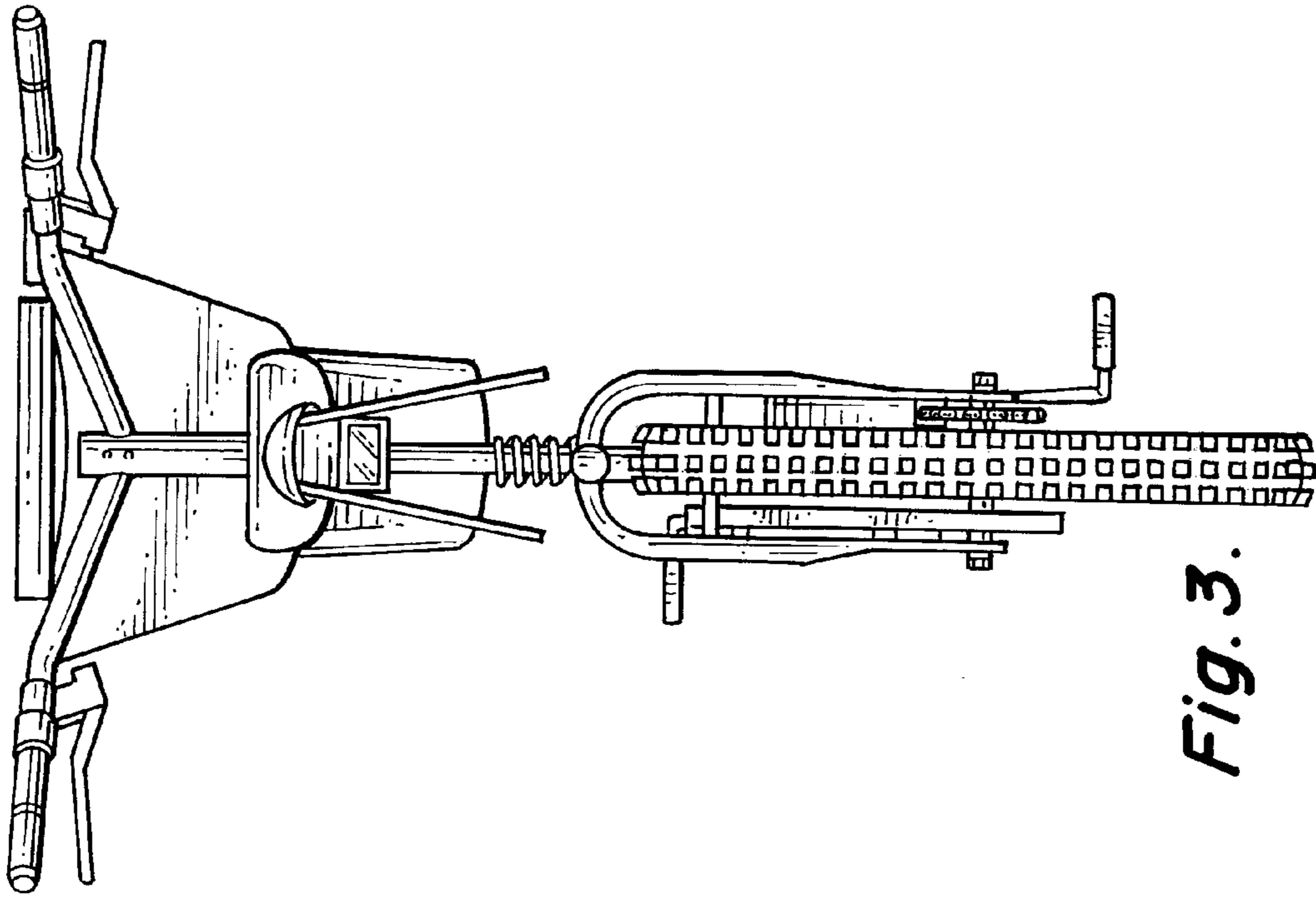


Fig. 3.

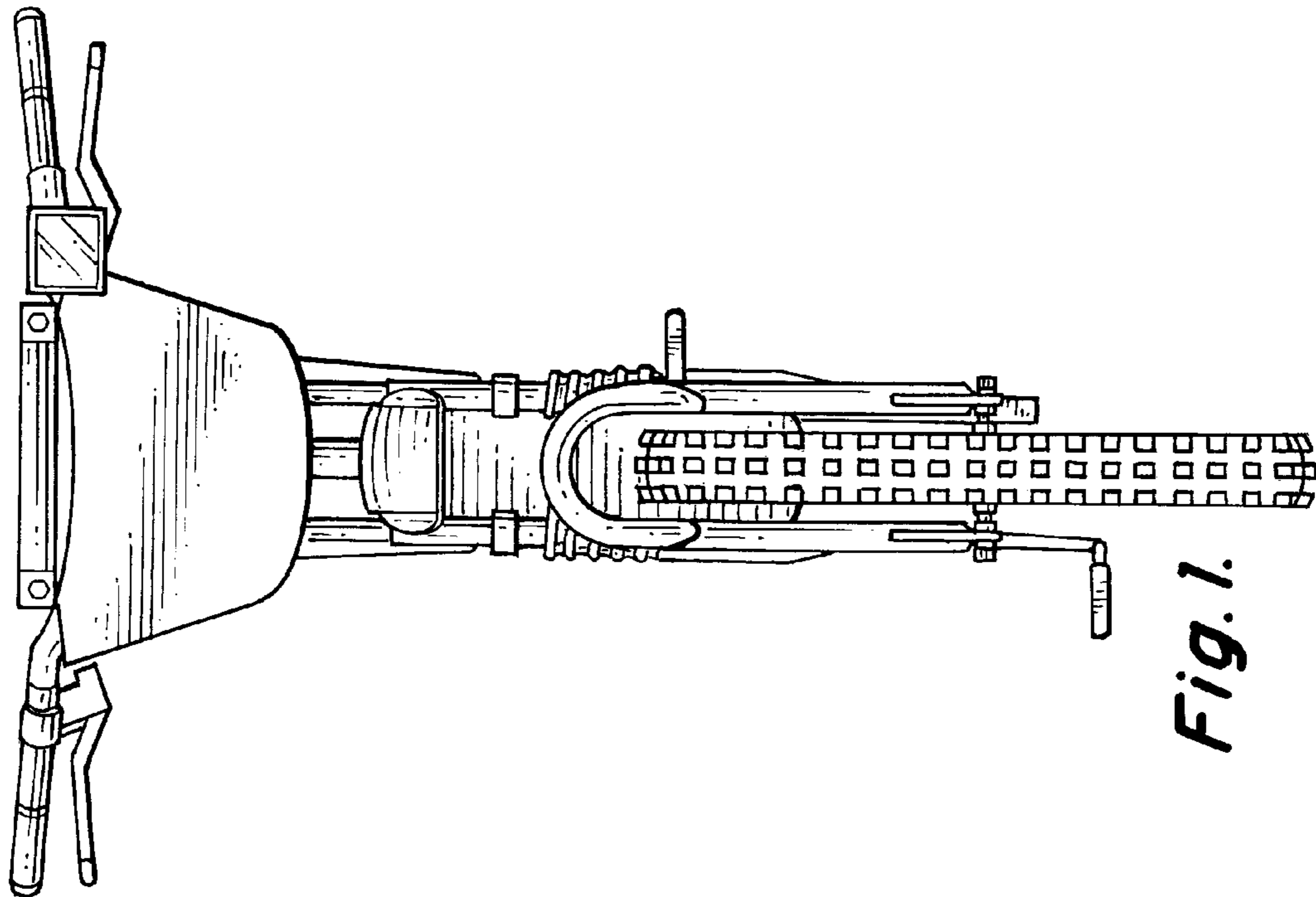


Fig. 1.

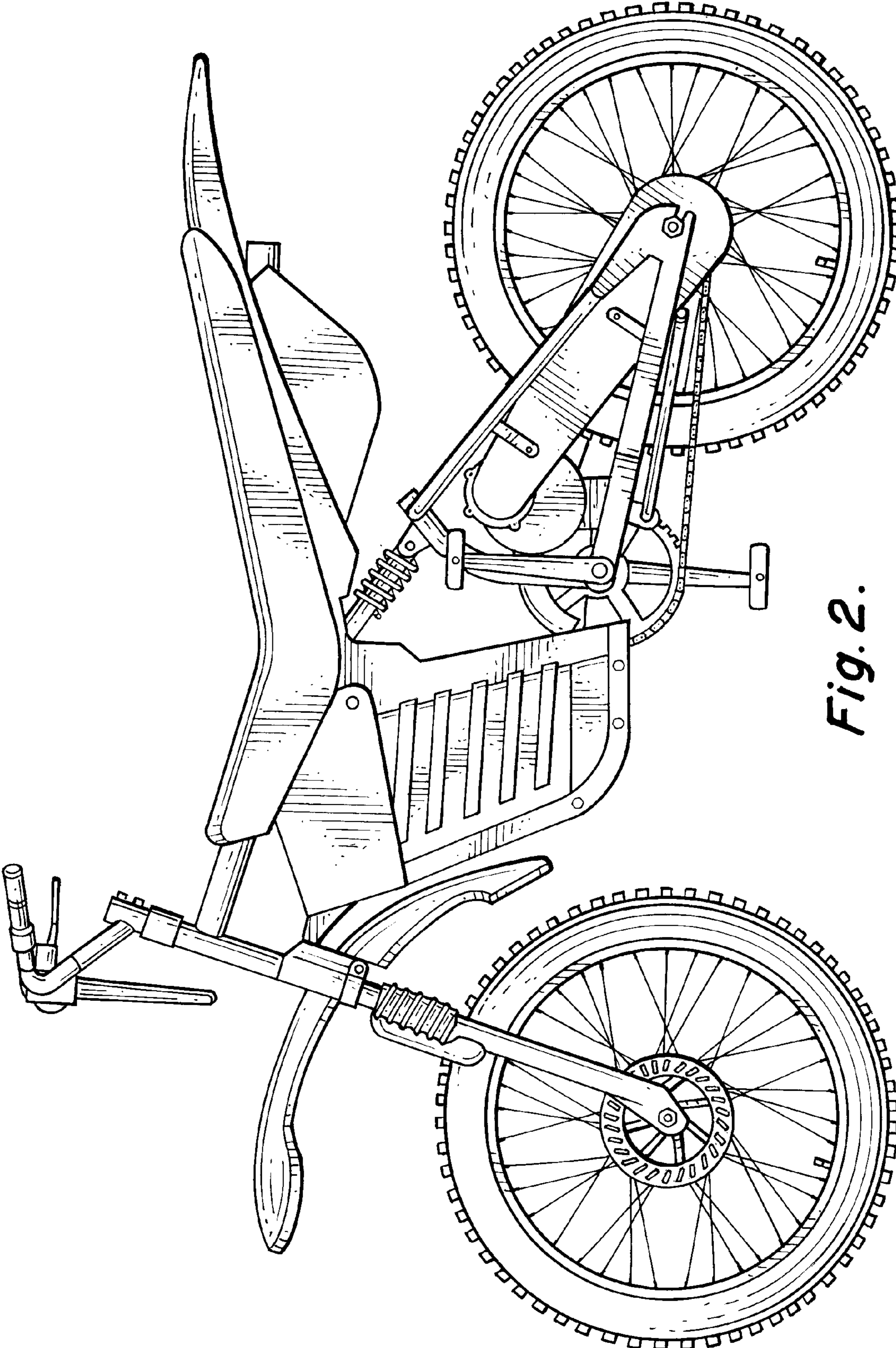


Fig. 2.

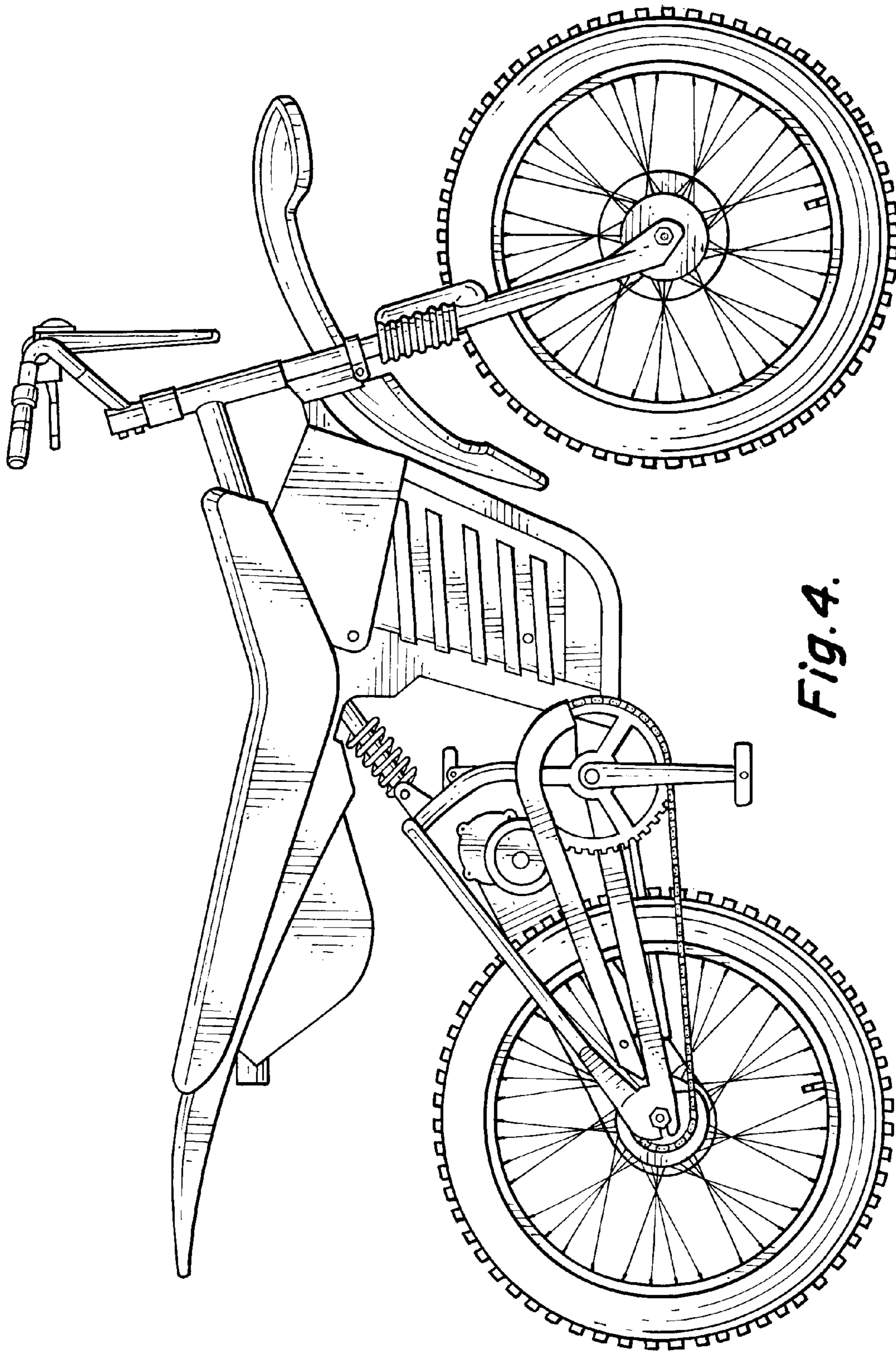


Fig. 4.

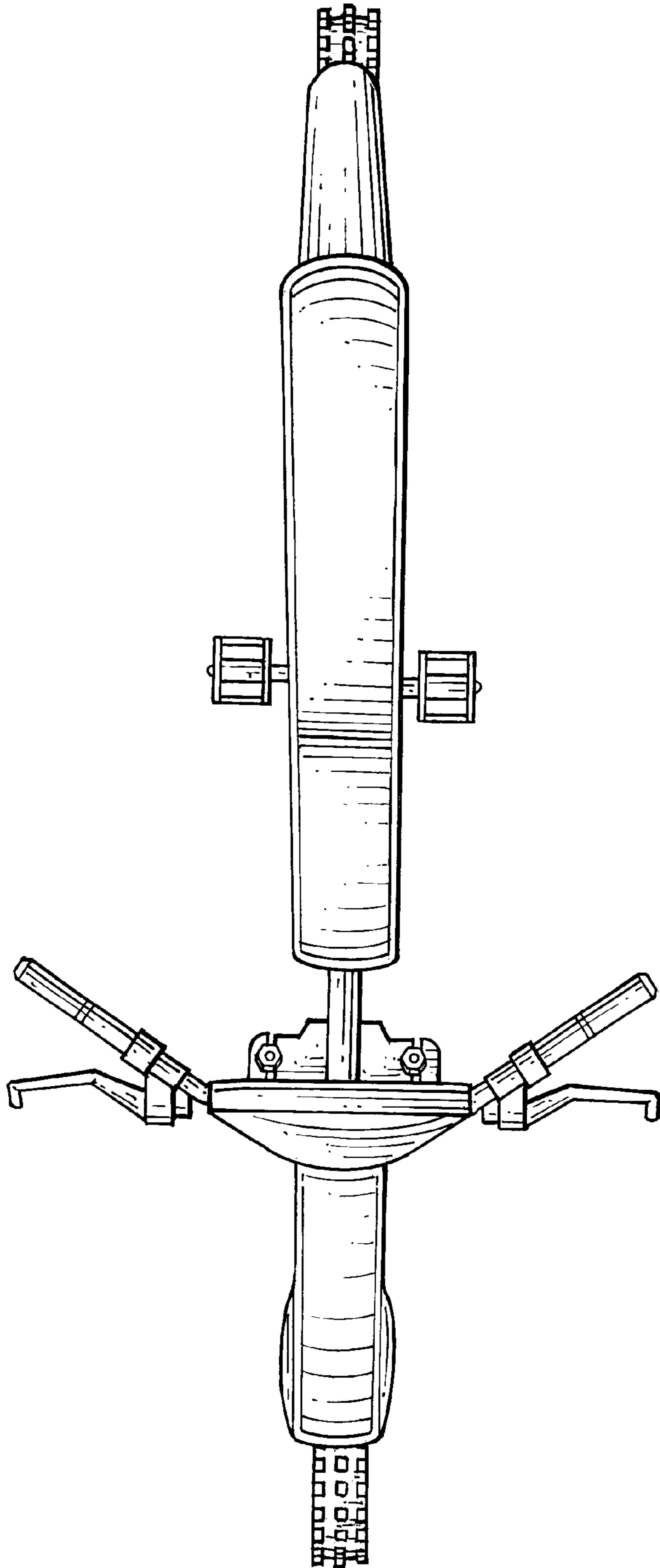


Fig. 5.