



US00D529842S

(12) **United States Design Patent**
Lu

(10) **Patent No.:** **US D529,842 S**
(45) **Date of Patent:** **** Oct. 10, 2006**

(54) **BICYCLE**

D342,702 S * 12/1993 Camfield et al. D12/111

(76) Inventor: **Fa-Hsing Lu**, 7F, No. 109, Sec. 3,
Taijunggang Road, Shituen Chiu,
Taichung (TW)

* cited by examiner

Primary Examiner—Alan P. Douglas

Assistant Examiner—Linda Brooks

(**) Term: **14 Years**

(74) *Attorney, Agent, or Firm*—Alan D. Kamrath; Nikolai
& Mersereau, P.A.

(21) Appl. No.: **29/233,392**

(57) **CLAIM**

(22) Filed: **Jul. 1, 2005**

The ornamental design for a bicycle, as shown and
described.

(51) **LOC (8) Cl.** **12-11**

(52) **U.S. Cl.** **D12/111**

(58) **Field of Classification Search** D12/110,
D12/111; 280/274–288, 281.1, 288.1, 288.2,
280/288.3, 827, 828; D21/432, 538; 446/440;
180/219, 220

See application file for complete search history.

DESCRIPTION

FIG. 1 is a perspective view of a bicycle showing our new
design;

FIG. 2 is a right elevational view thereof;

FIG. 3 is a left elevational view thereof;

FIG. 4 is a front side elevational view thereof;

FIG. 5 is a rear side elevational view thereof;

FIG. 6 is a top plan view thereof; and,

FIG. 7 is a bottom plan view thereof.

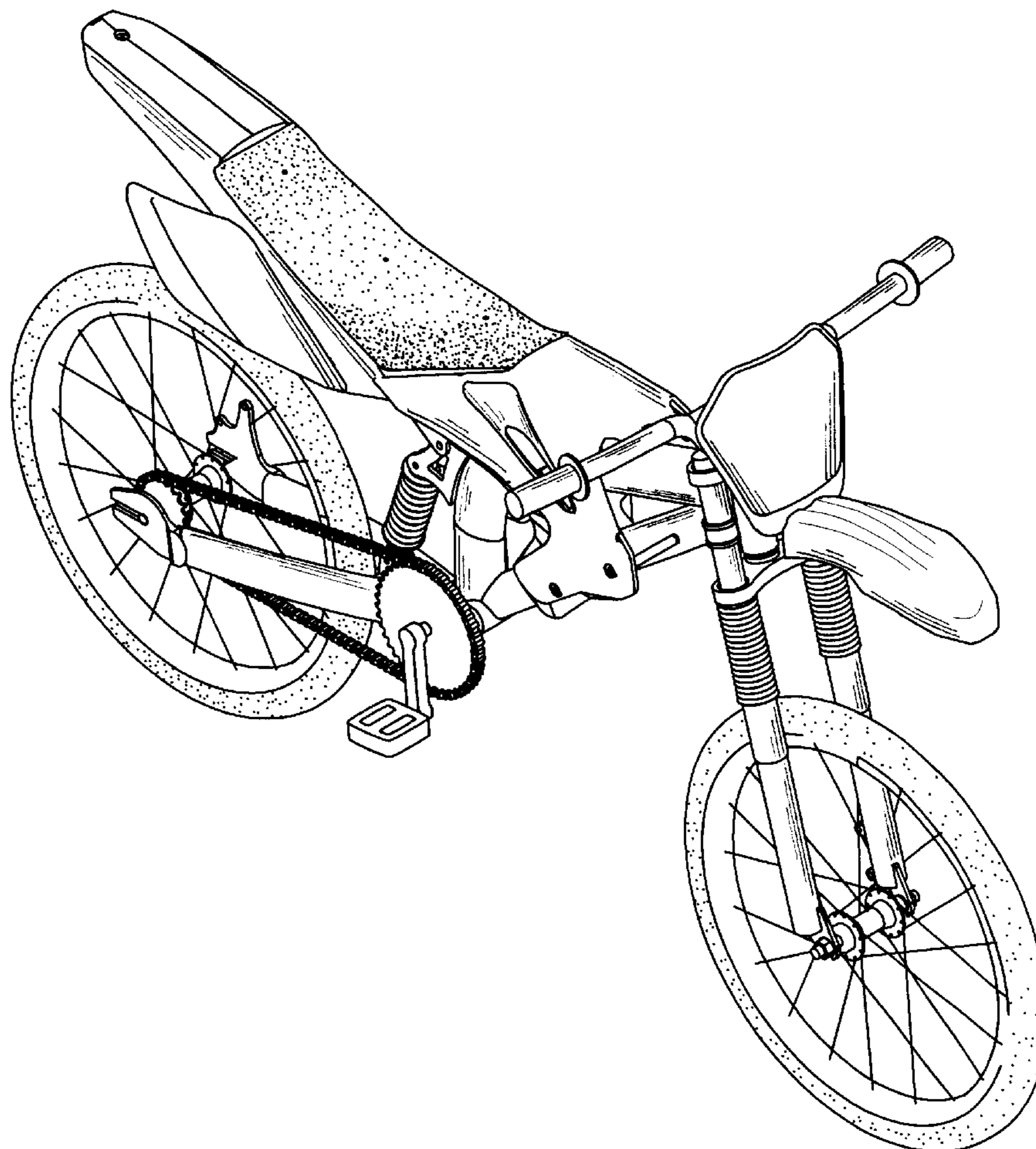
(56) **References Cited**

U.S. PATENT DOCUMENTS

D281,615 S * 12/1985 Barbato et al. D21/432

D291,292 S * 8/1987 Smith et al. D12/111

1 Claim, 7 Drawing Sheets



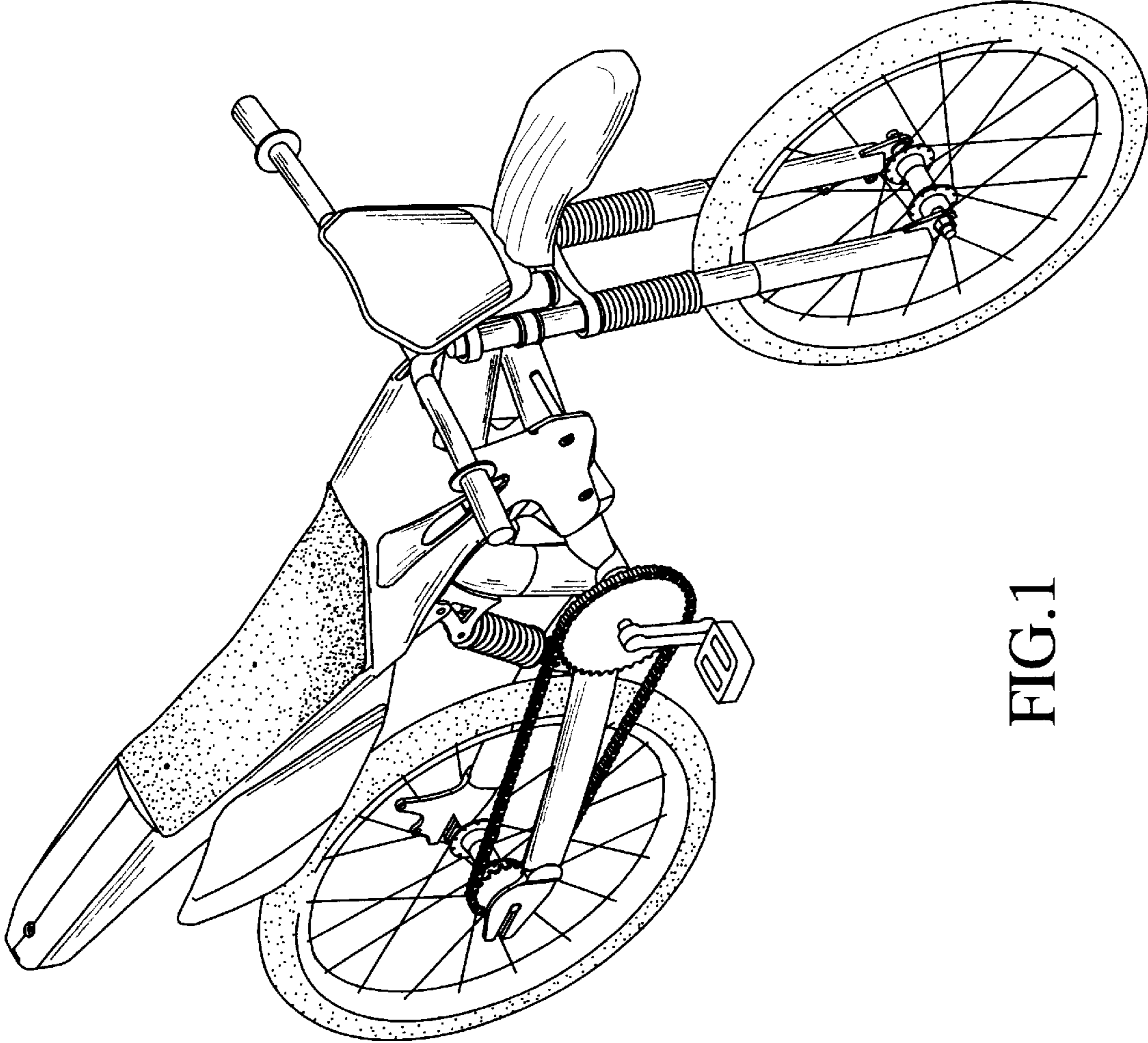


FIG. 1

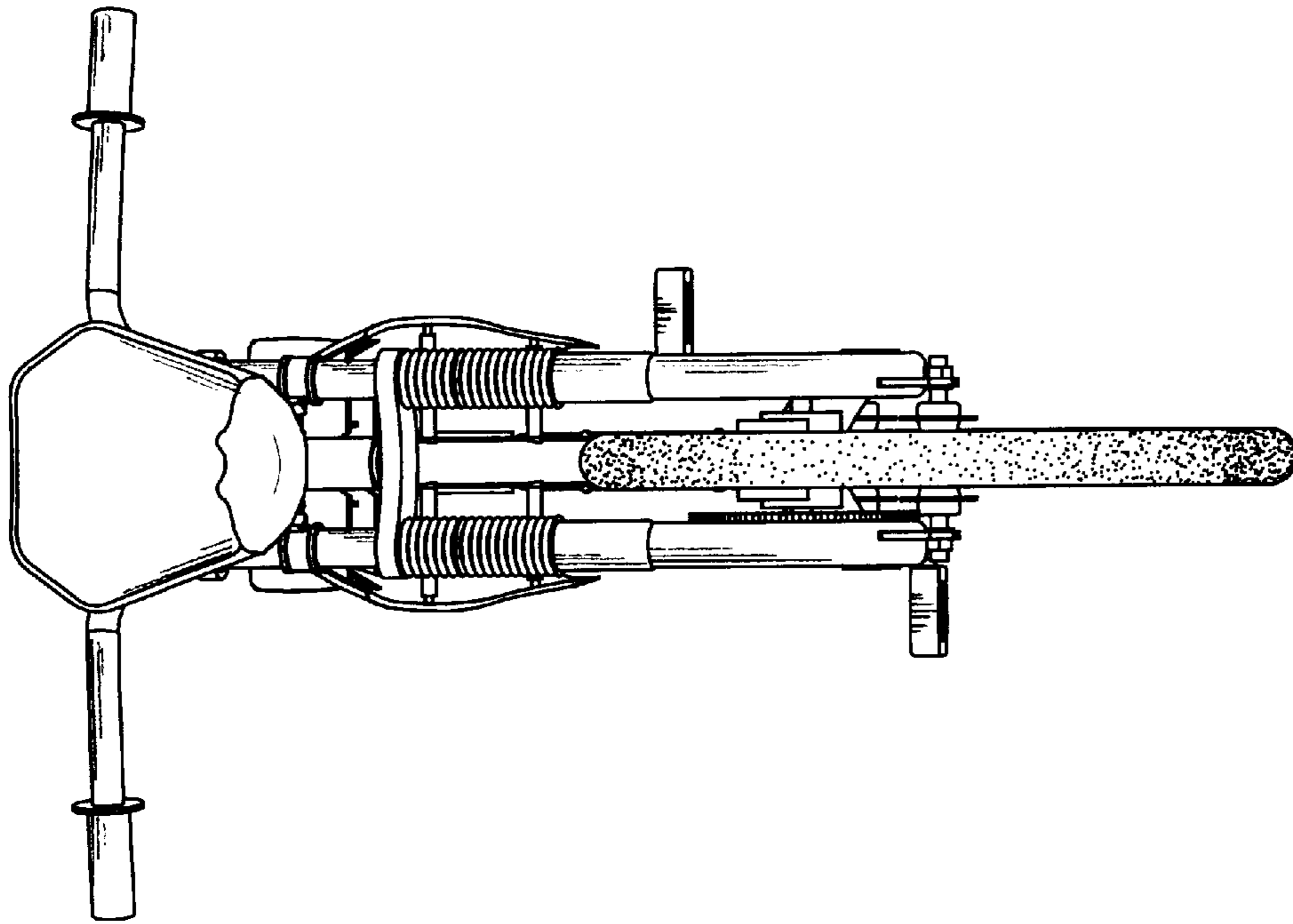


FIG.2

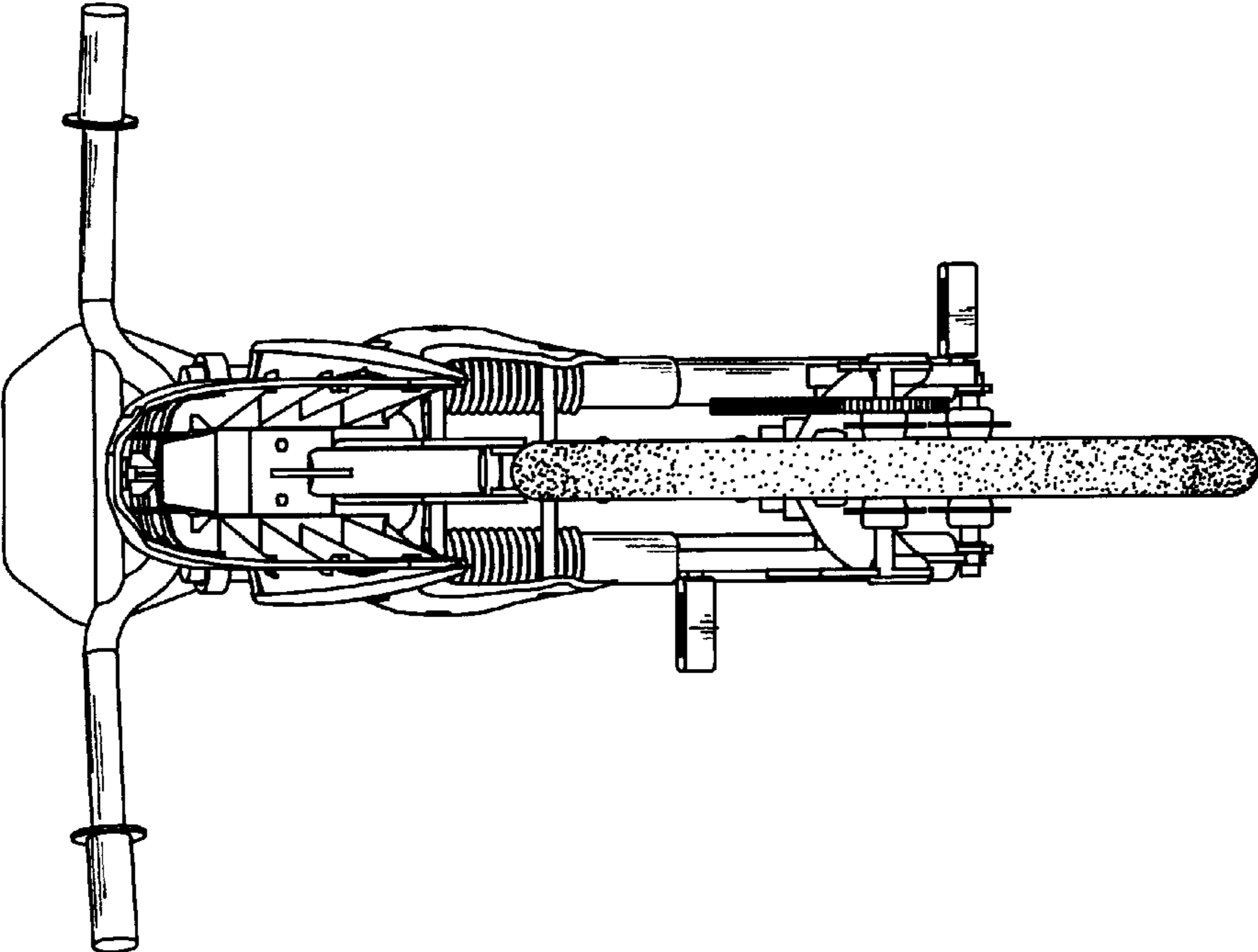


FIG.3

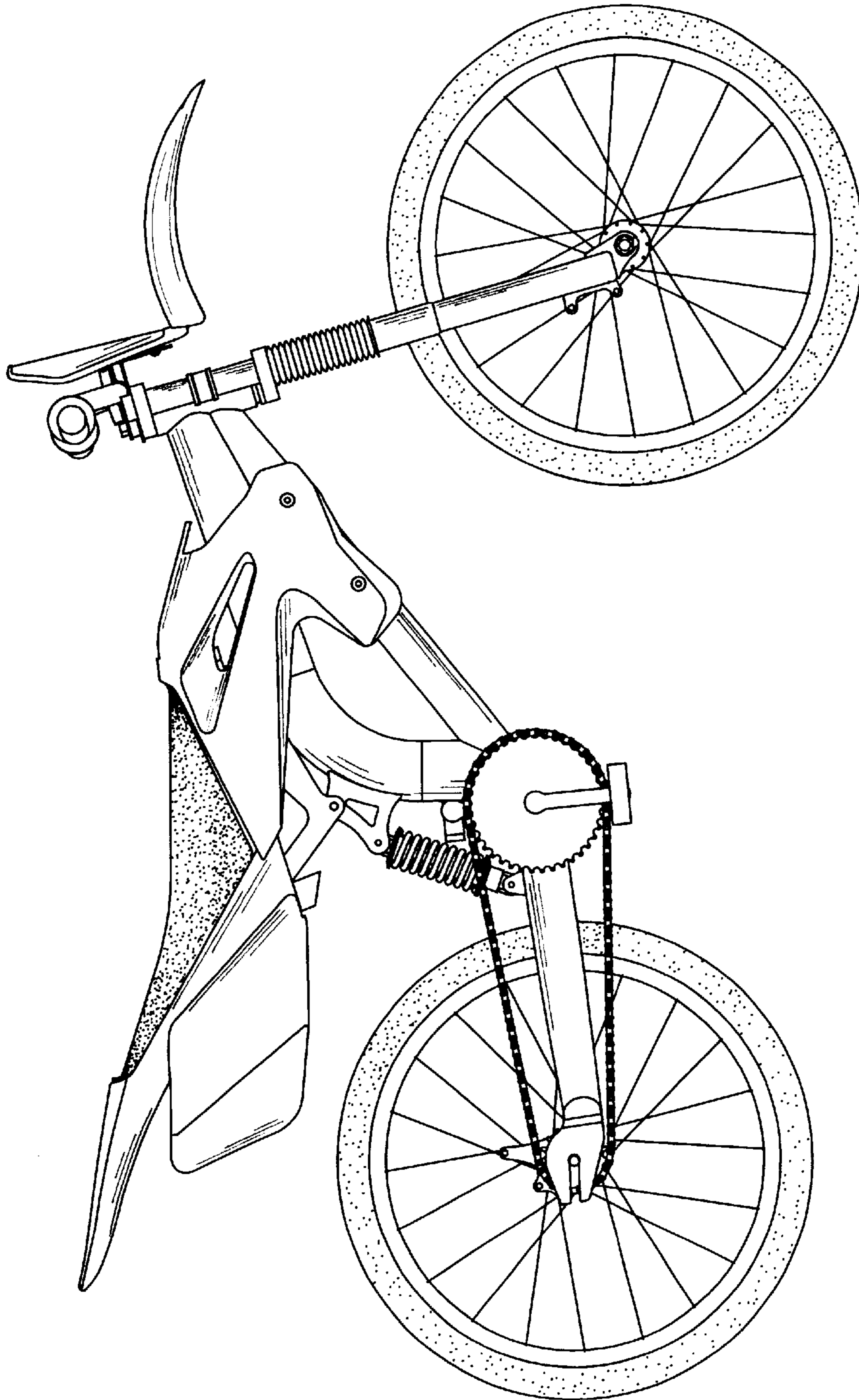


FIG. 4

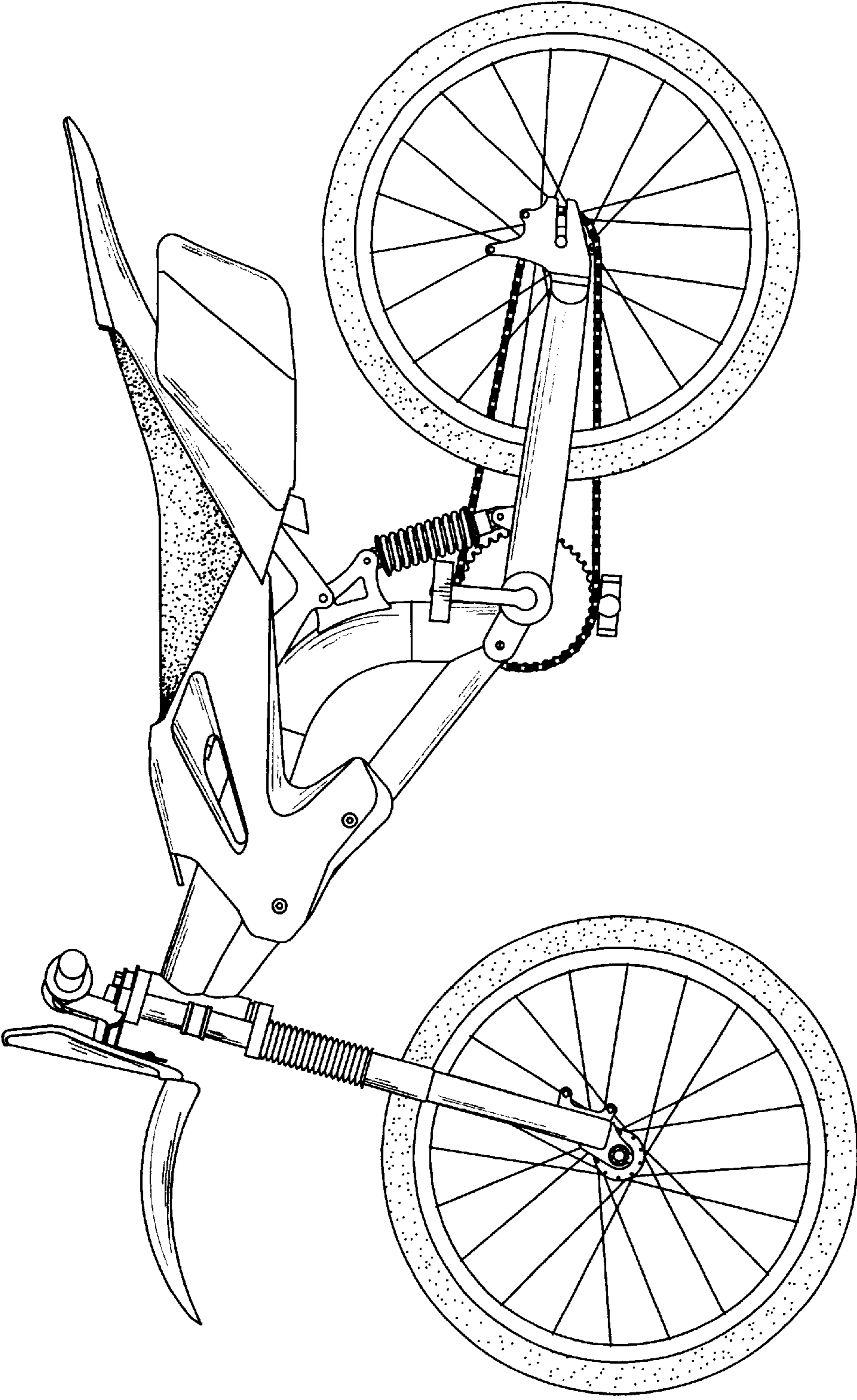


FIG.5

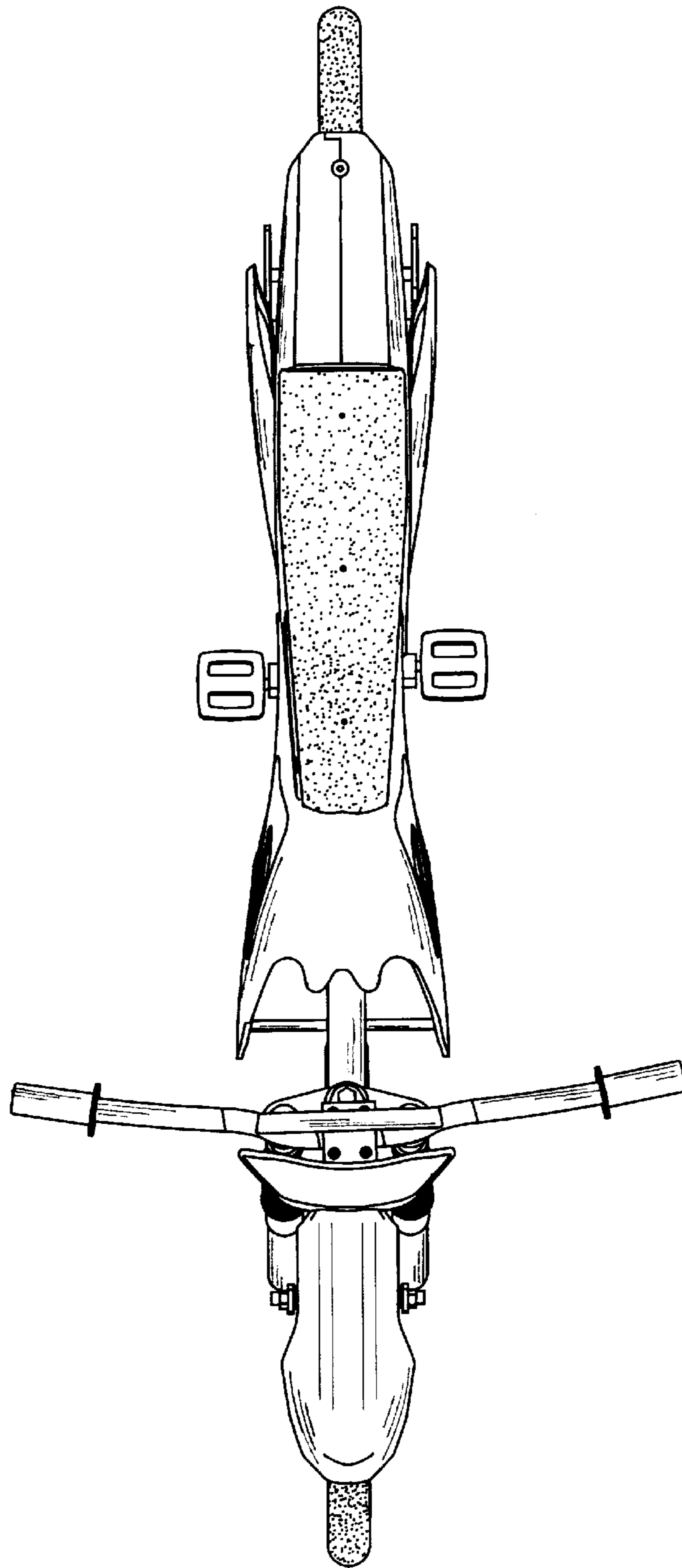


FIG.6

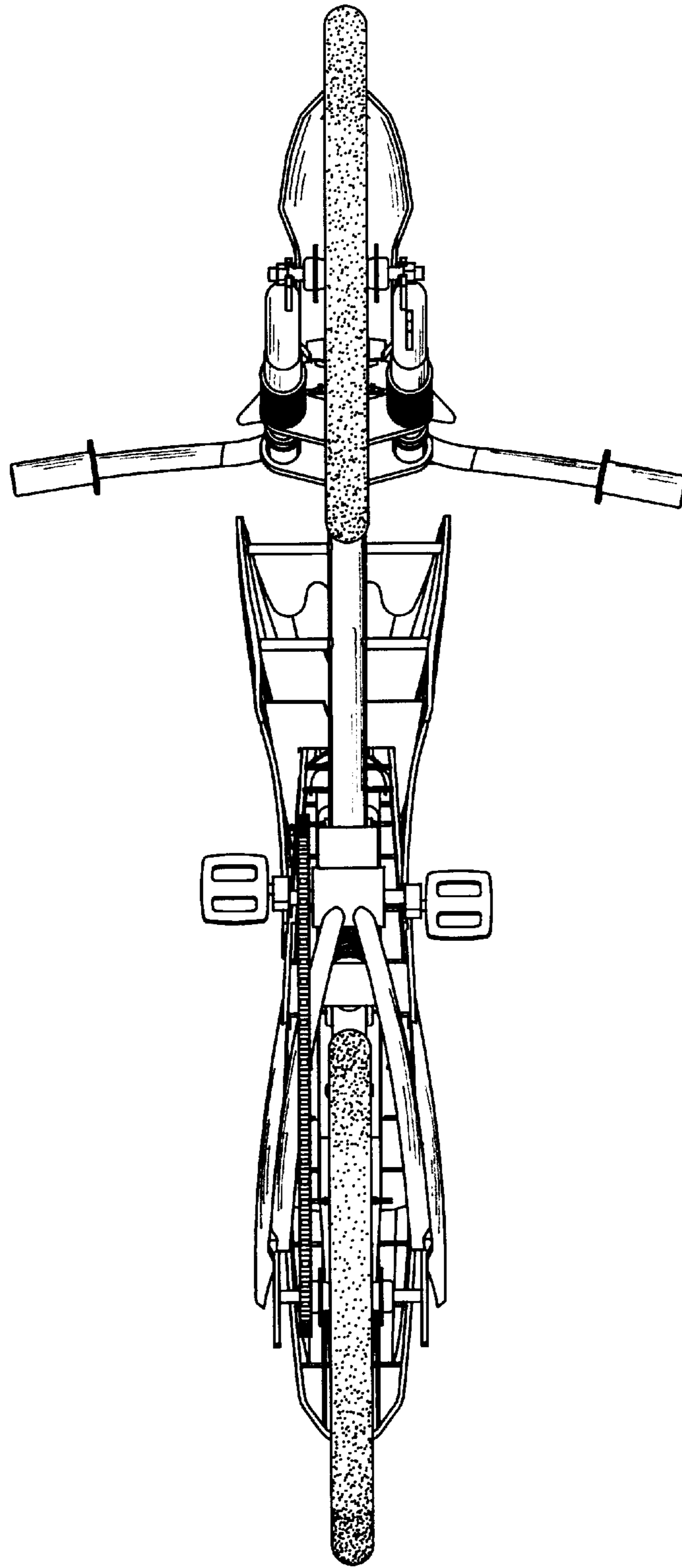


FIG. 7