



US00D529841S

(12) **United States Design Patent**  
**Vey**

(10) **Patent No.:** **US D529,841 S**

(45) **Date of Patent:** **\*\* Oct. 10, 2006**

(54) **TRIKE BODY**

4,423,795 A \* 1/1984 Winchell et al. .... 180/215  
D292,565 S \* 11/1987 Badsey ..... D12/85

(75) Inventor: **Jeffrey L. Vey**, Whitehouse, TX (US)

\* cited by examiner

(73) Assignee: **Thoroughbred Motorsports, Incorporated**, Troup, TX (US)

*Primary Examiner*—Alan P. Douglas

*Assistant Examiner*—Linda Brooks

(\*\*) Term: **14 Years**

(74) *Attorney, Agent, or Firm*—Jones, Walker, Waechter Poitevent, Carrere, & Denegre, L.L.P.

(21) Appl. No.: **29/241,558**

(57) **CLAIM**

(22) Filed: **Oct. 29, 2005**

The ornamental design for a trike body, as shown and described.

(51) **LOC (8) Cl.** ..... **12-11**

(52) **U.S. Cl.** ..... **D12/110**

(58) **Field of Classification Search** ..... D12/110,  
D12/112, 85, 107; 180/219, 220, 210-217,  
180/16; 296/78.1, 181.1, 181.4; 280/202,  
280/282, 288.2

See application file for complete search history.

**DESCRIPTION**

FIG. 1 is a left side view of the trike body.

FIG. 2 is a left front view of the trike body.

FIG. 3 is a rear-view of the trike body; and,

FIG. 4 is a front-view of the trike body.

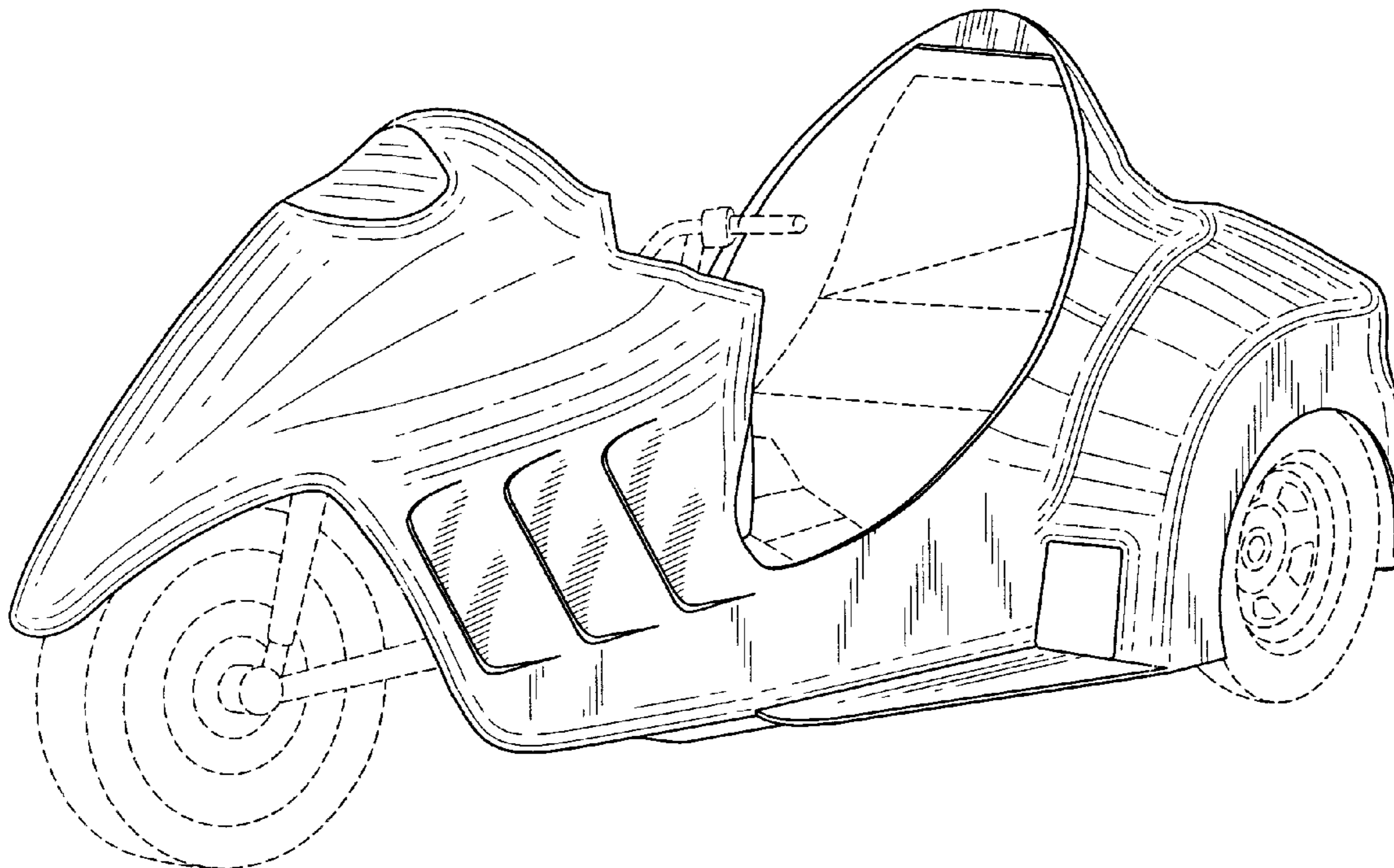
The broken lines shown are for illustrative purposes only and form no part of the claimed design.

(56) **References Cited**

**U.S. PATENT DOCUMENTS**

D175,558 S \* 9/1955 Laub ..... D12/110

**1 Claim, 4 Drawing Sheets**



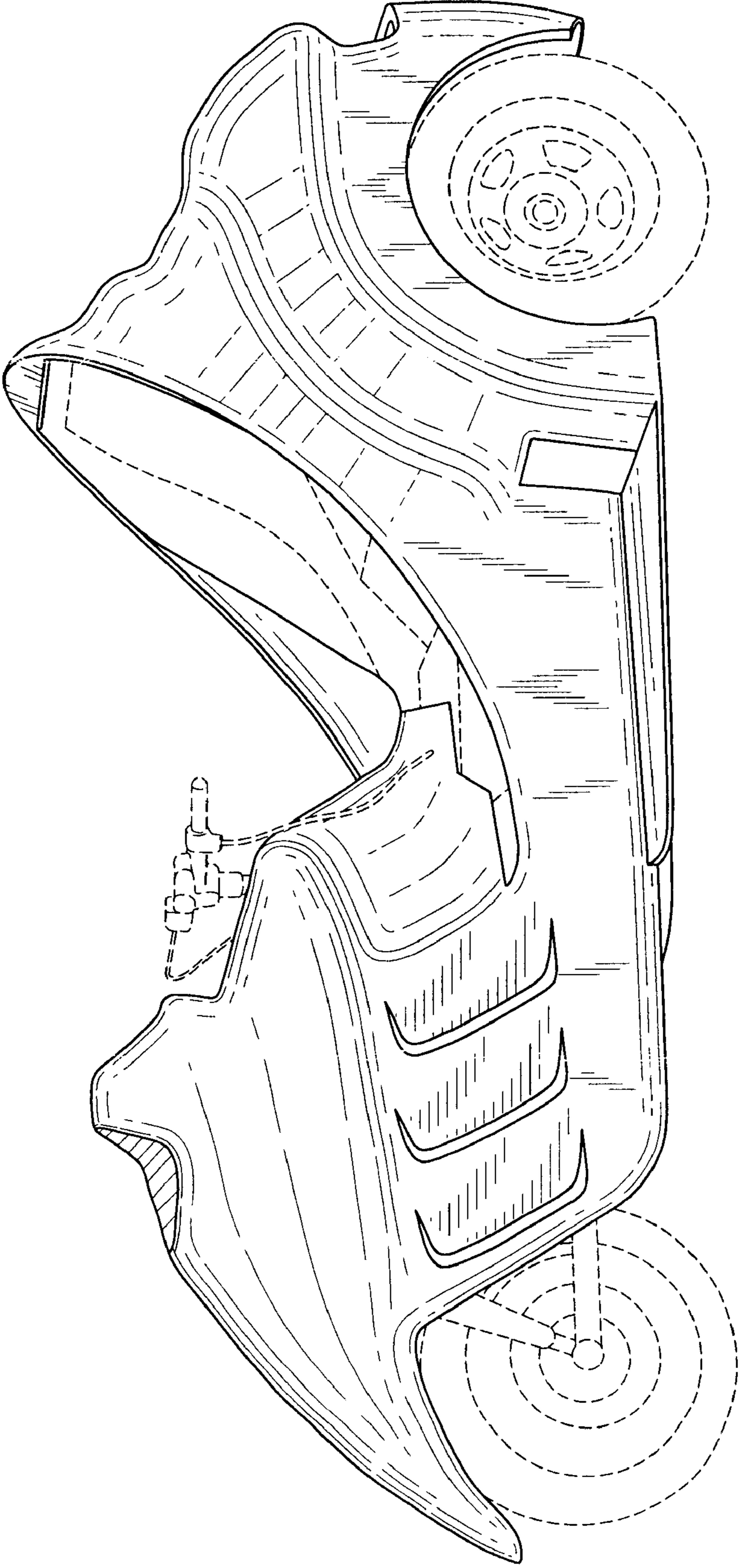


FIG. 1

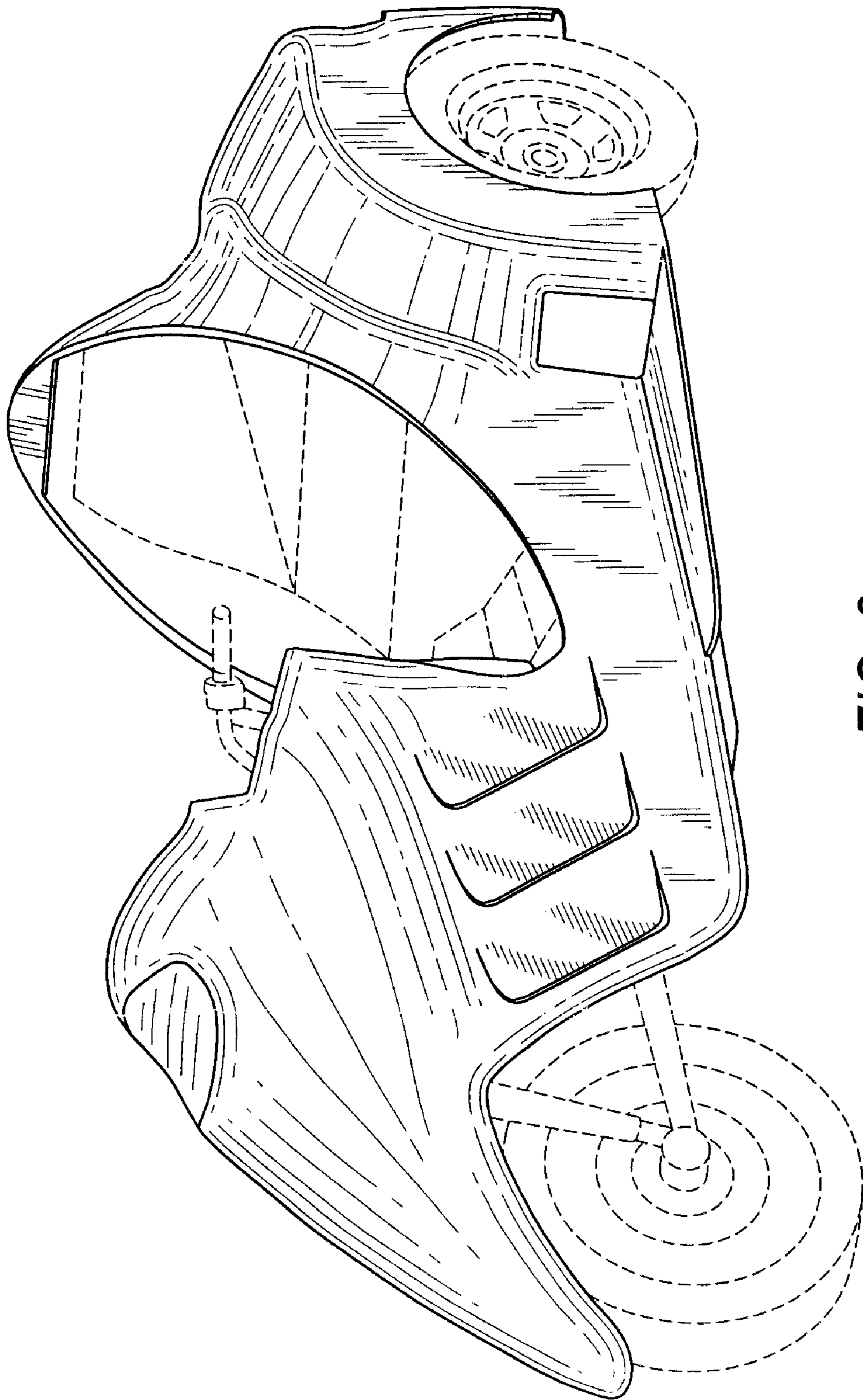


FIG. 2

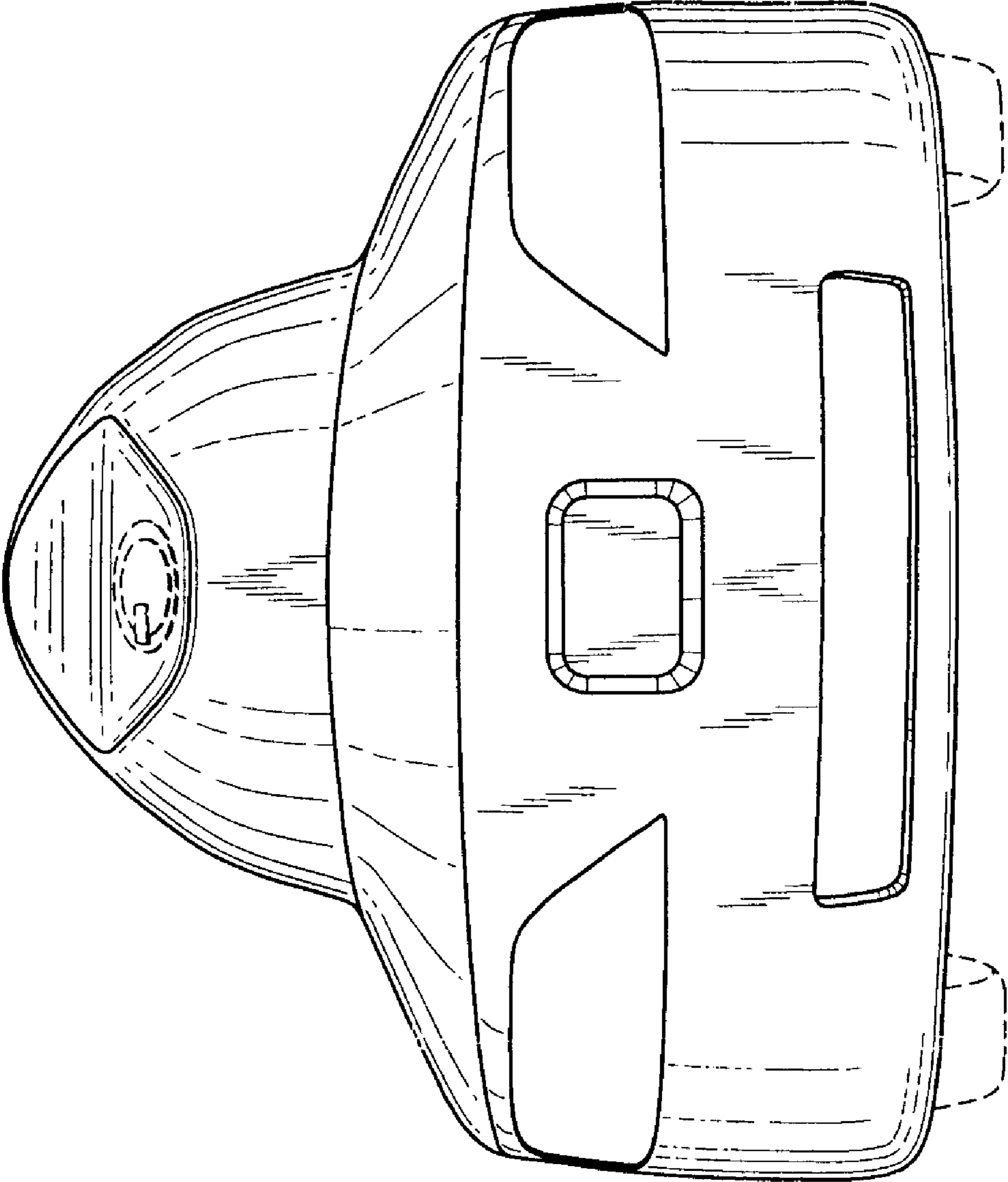


FIG. 3

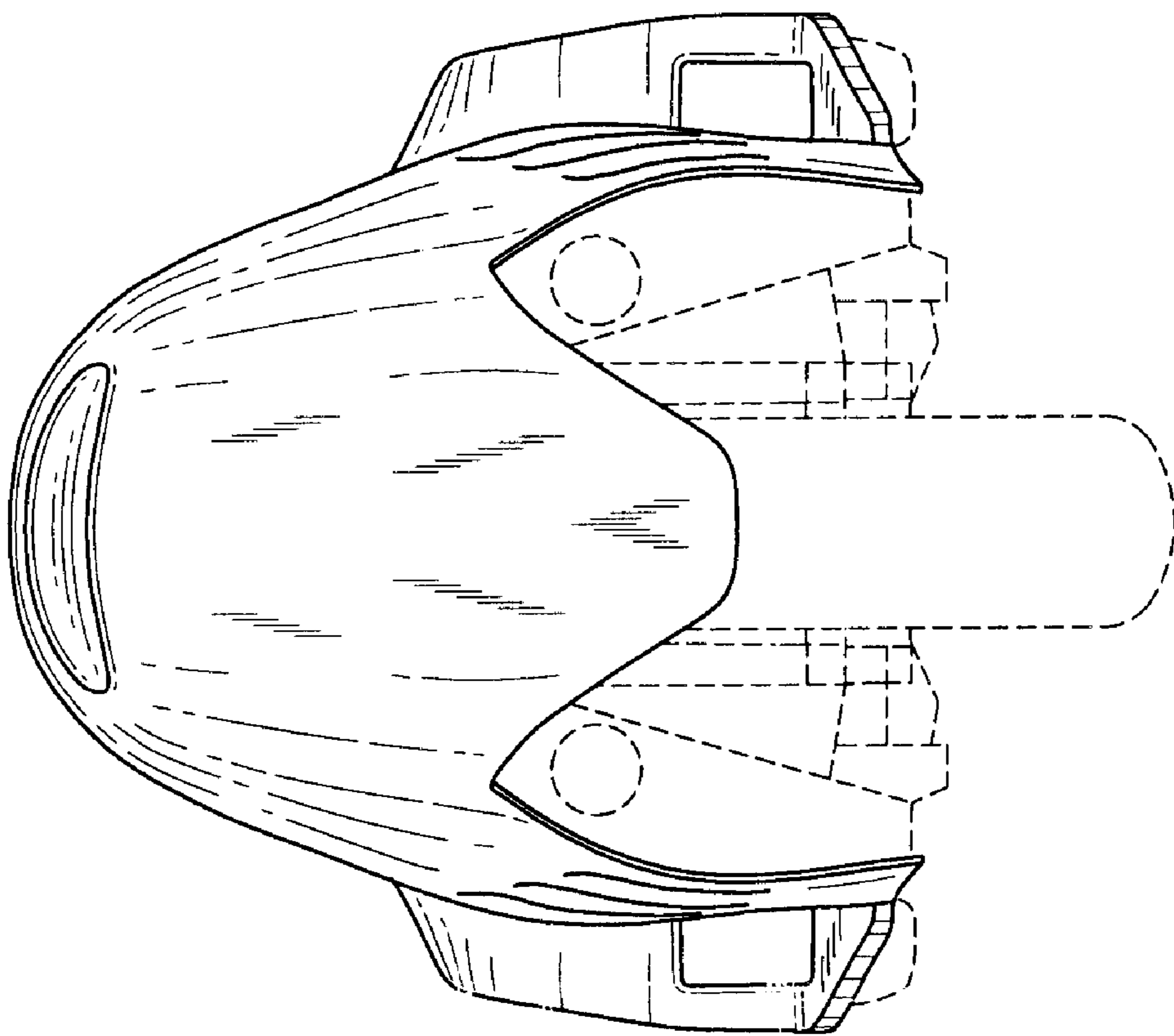


FIG. 4