



US00D529838S

(12) **United States Design Patent**
Boling

(10) **Patent No.:** **US D529,838 S**
(45) **Date of Patent:** **** Oct. 10, 2006**

(54) **PLANT POT SAUCER**

(76) Inventor: **John Boling**, 231 Waller St., San Francisco, CA (US) 94102

(**) Term: **14 Years**

(21) Appl. No.: **29/223,063**

(22) Filed: **Feb. 8, 2005**

(51) **LOC (8) Cl.** **11-02**

(52) **U.S. Cl.** **D11/164**

(58) **Field of Classification Search** D6/403-405, D6/411-415, 491, 495, 497, 498, 556-558; D7/388, 389; D8/1; D11/130, 130.1, 143, D11/149, 151, 152, 164; 47/39, 41.01, 41.1, 47/44-47, 67, 71; 211/71.01, 85.23, 196
See application file for complete search history.

(56) **References Cited**

U.S. PATENT DOCUMENTS

1,600,055	A	*	9/1926	Meyer	47/71
D193,942	S	*	10/1962	Wagnitz	D6/403
D283,496	S	*	4/1986	Pisarkiewicz	D11/164
D339,550	S	*	9/1993	Wilder	D11/164
D346,568	S	*	5/1994	Bates	D11/164
D346,764	S	*	5/1994	Sellers	D11/164
5,341,596	A	*	8/1994	Kao	47/71
D361,308	S	*	8/1995	Loran	D11/164
D363,255	S	*	10/1995	Helms et al.	D11/164
D366,855	S	*	2/1996	Deelen	D11/152

D383,377	S	*	9/1997	Sellers	D8/374
D399,787	S	*	10/1998	Wagner	D11/164
D405,290	S	*	2/1999	Hollinger	D6/403
D455,675	S	*	4/2002	Rose	D11/164
D463,215	S	*	9/2002	Huang et al.	D7/388
D466,335	S	*	12/2002	Dowding et al.	D6/403
D479,783	S	*	9/2003	Ancona	D7/388
D488,089	S	*	4/2004	Sellers	D11/164
6,766,615	B1	*	7/2004	Smead	47/71
D504,249	S	*	4/2005	Wagner	D6/403
D510,295	S	*	10/2005	Lehman et al.	D11/164
6,955,008	B1	*	10/2005	Rose	47/80

* cited by examiner

Primary Examiner—Caron Veynar
Assistant Examiner—Garth Rademaker
(74) *Attorney, Agent, or Firm*—Jack Lo

(57) **CLAIM**

The ornamental design for a plant pot saucer, as shown.

DESCRIPTION

FIG. 1 is a front perspective view of a plant pot saucer showing my new design.

FIG. 2 is a front elevational view thereof.

FIG. 3 is a rear elevational view thereof.

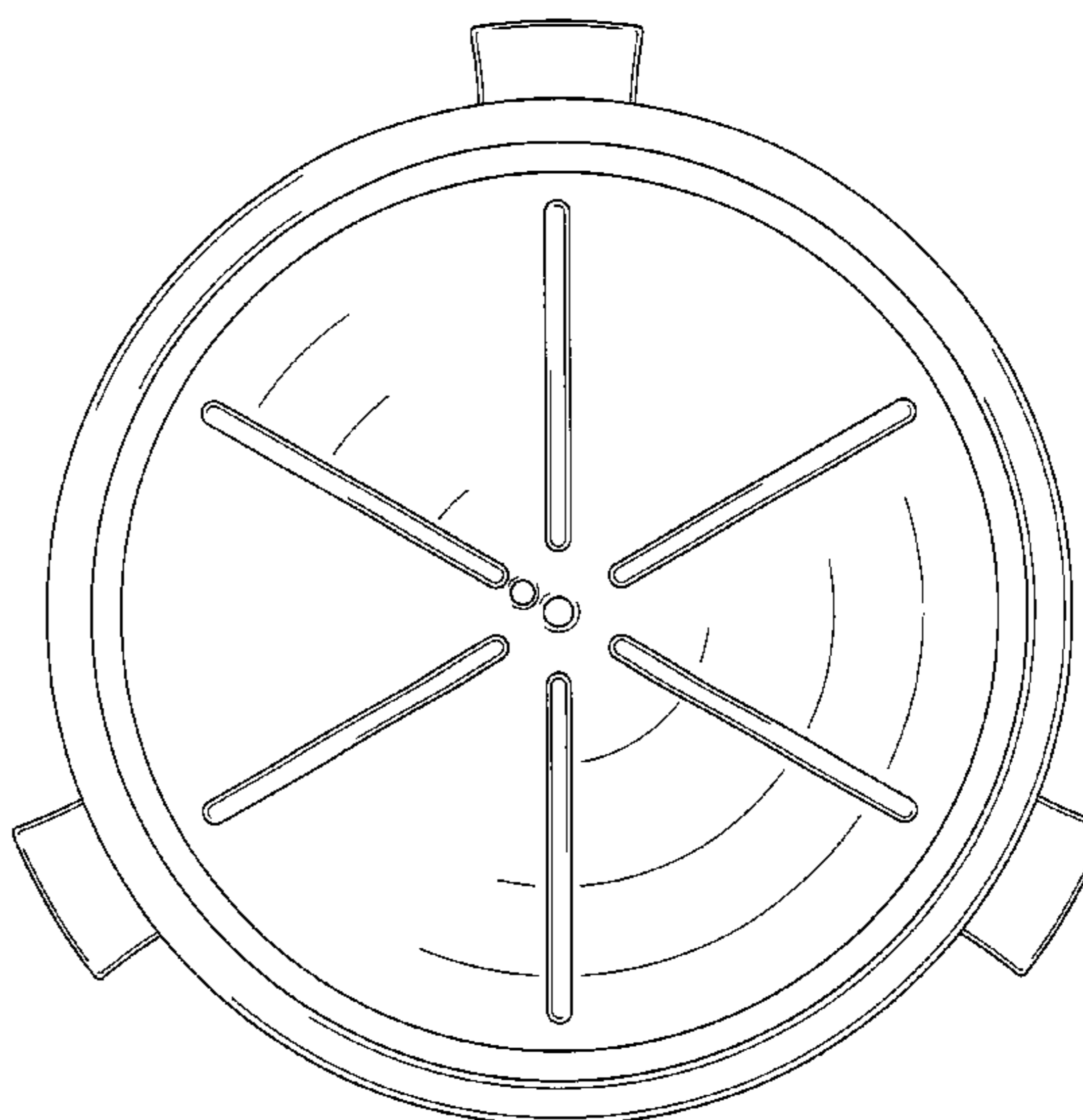
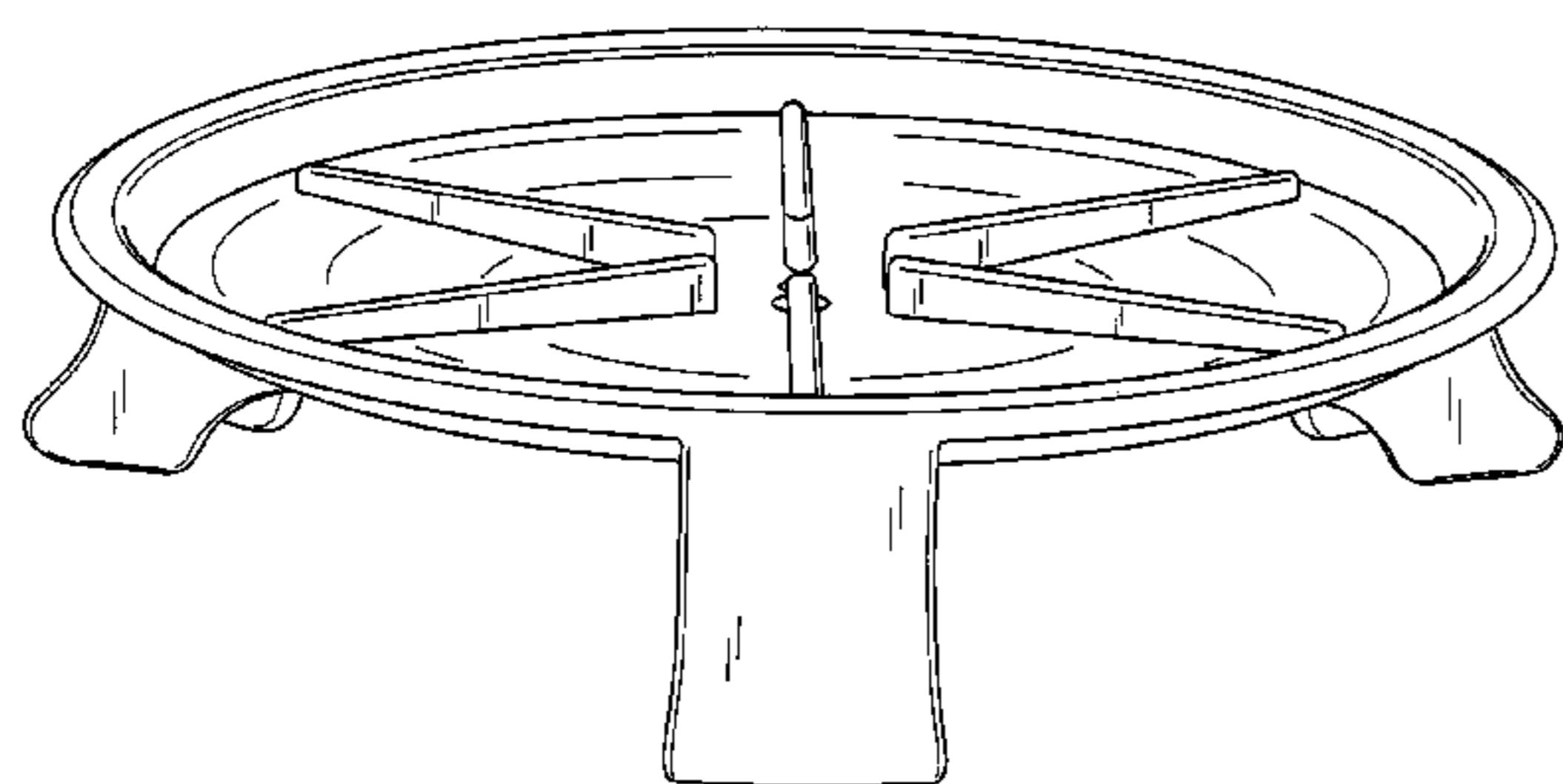
FIG. 4 is a right side elevational view thereof.

FIG. 5 is a left side elevational view thereof.

FIG. 6 is a top plan view thereof; and,

FIG. 7 is a bottom plan view thereof.

1 Claim, 5 Drawing Sheets



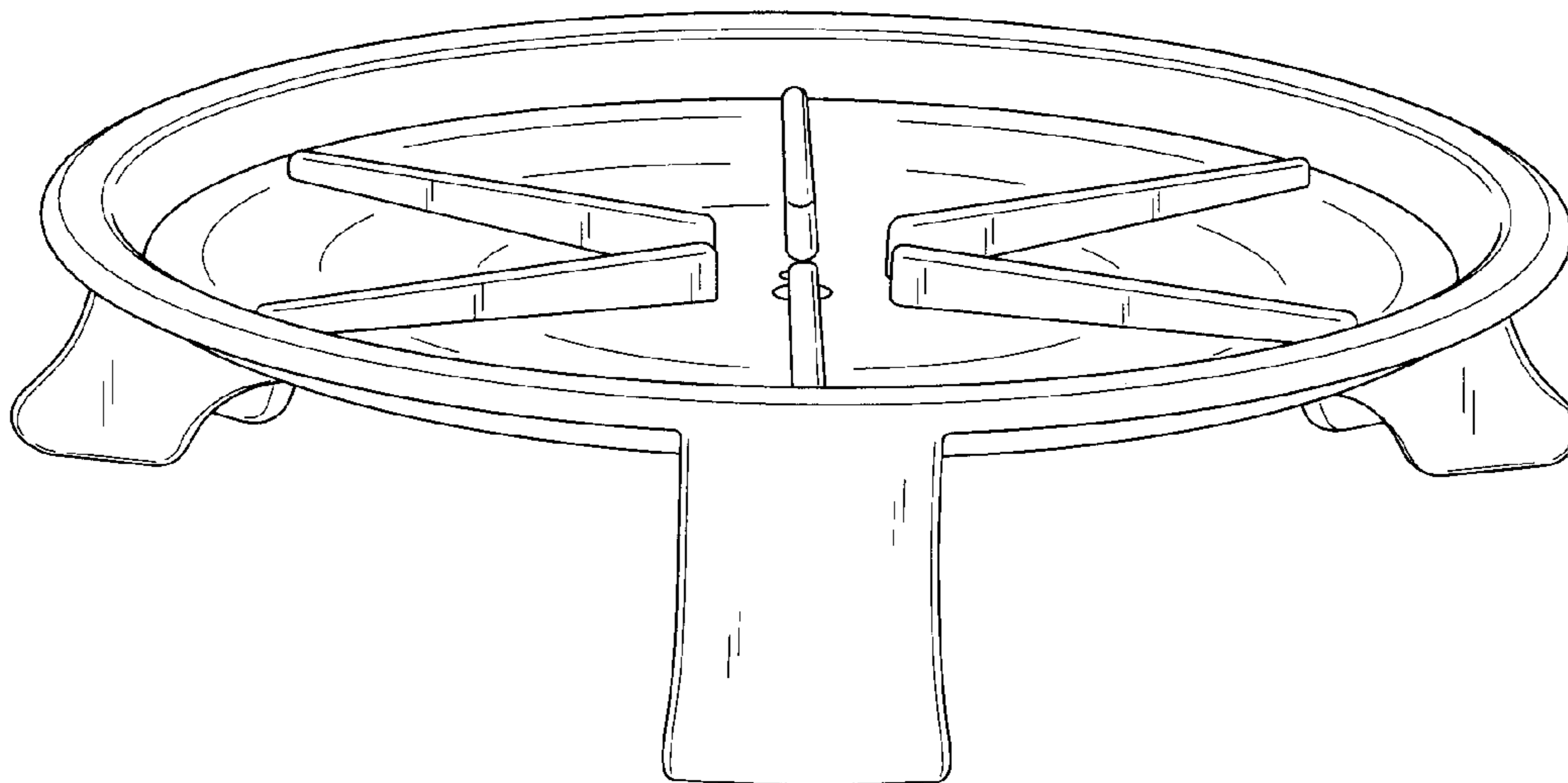


Fig. 1

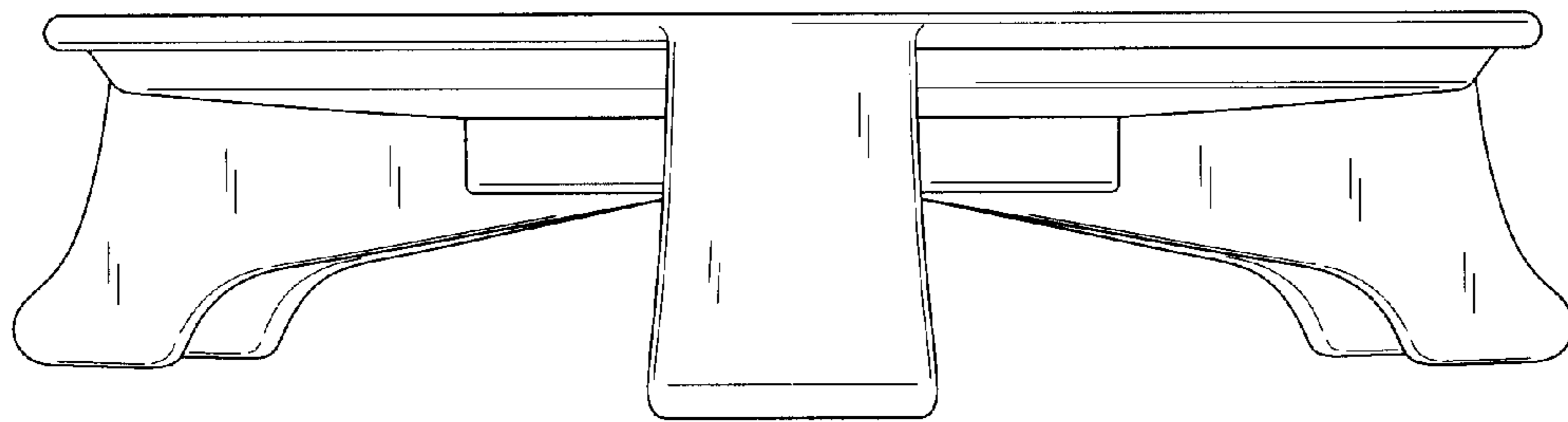


Fig. 2

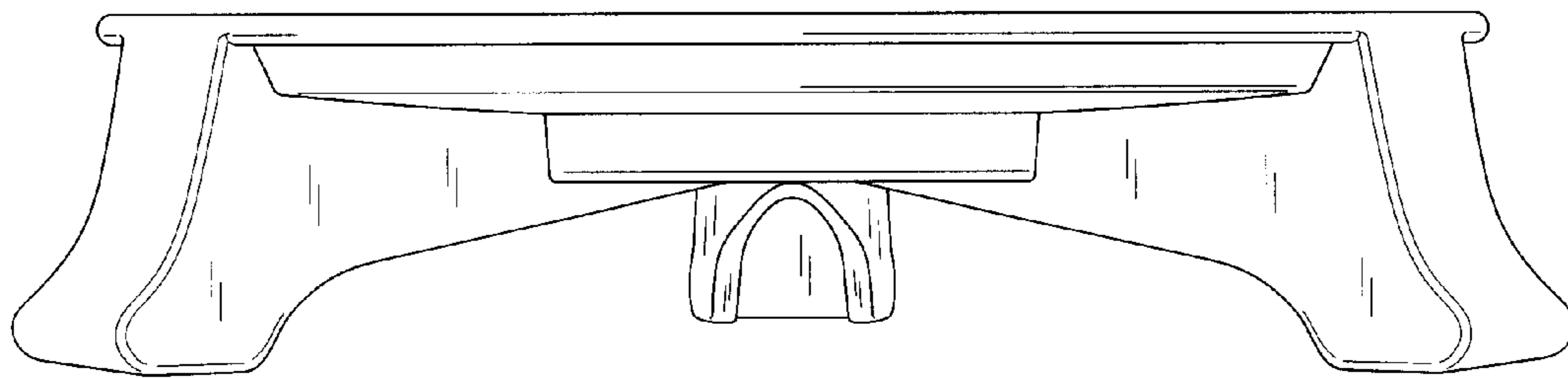


Fig. 3

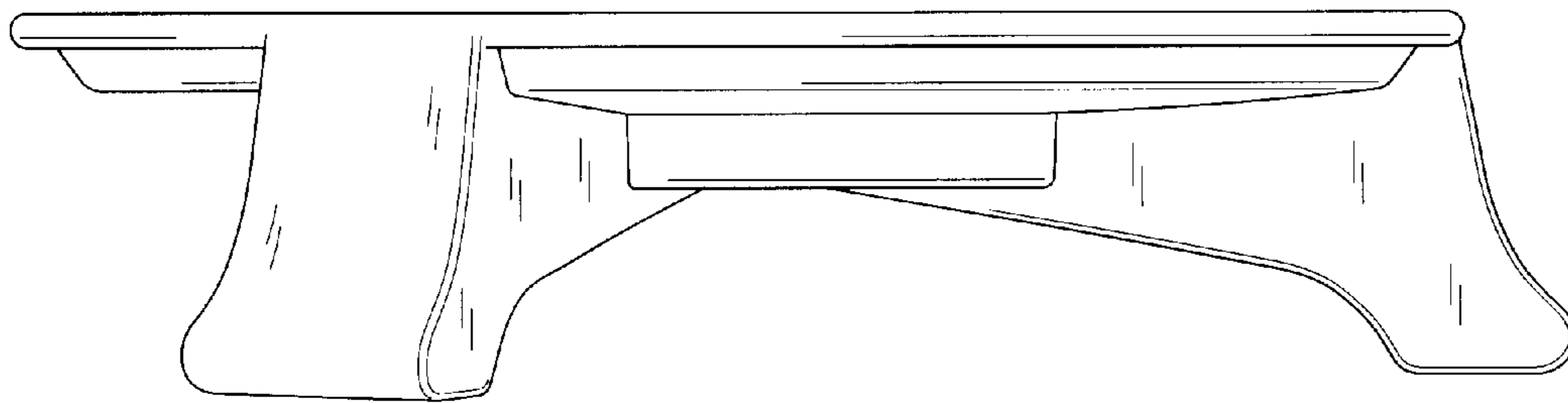


Fig. 4

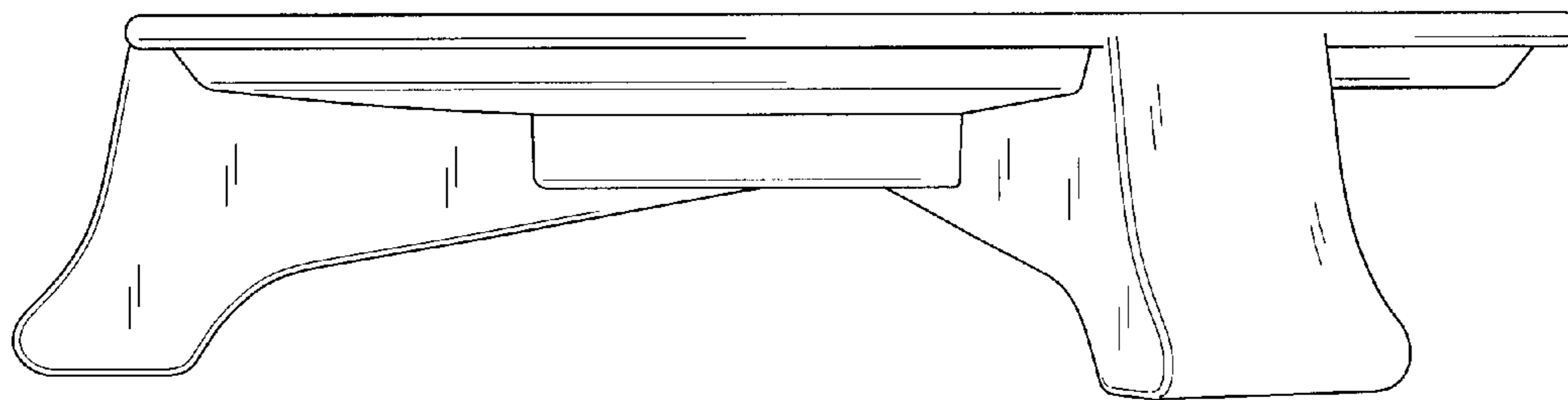


Fig. 5

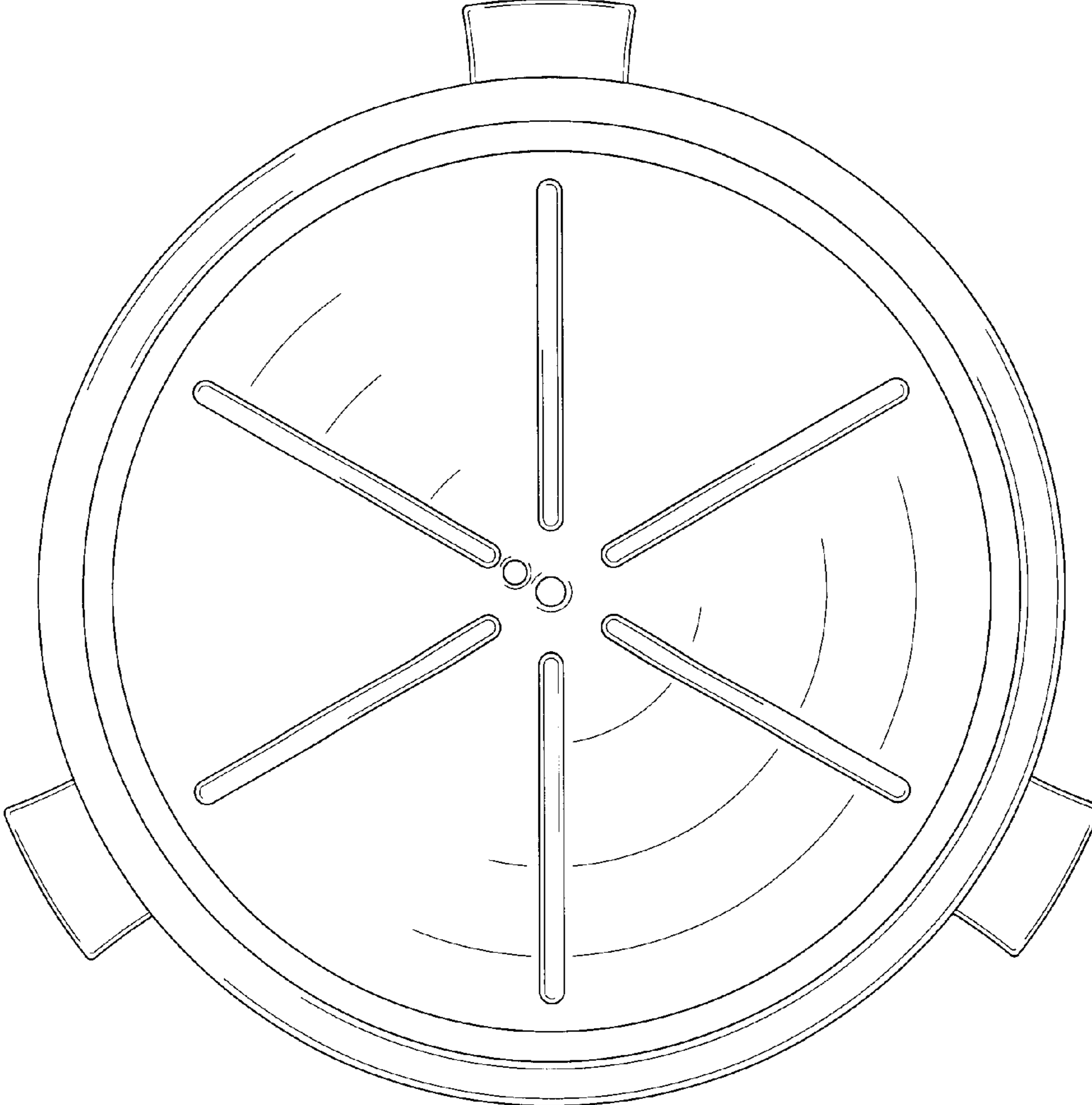


Fig. 6

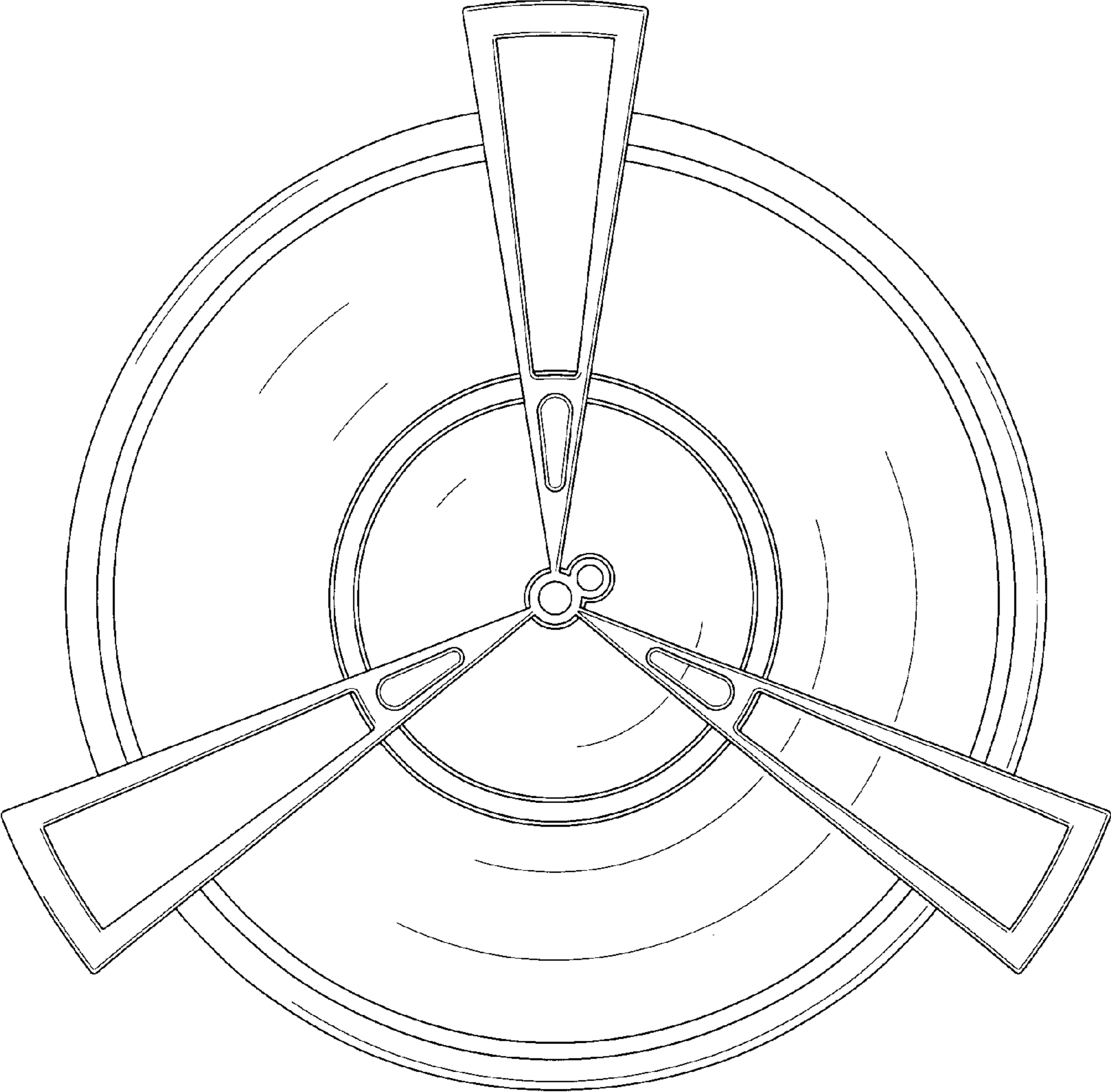


Fig. 7