



US00D529832S

(12) **United States Design Patent**  
**Ichihara et al.**

(10) **Patent No.:** **US D529,832 S**  
(45) **Date of Patent:** **\*\* Oct. 10, 2006**

(54) **METER FOR A VEHICLE**

D376,987 S \* 12/1996 Geschwender ..... D10/102  
D482,292 S \* 11/2003 Minshall et al. .... D10/102

(75) Inventors: **Fumio Ichihara**, Hyogo (JP); **Keishi Fukumoto**, Akashi (JP)

\* cited by examiner

(73) Assignee: **Kawasaki Jukogyo Kabushiki Kaisha**, Hyogo (JP)

*Primary Examiner*—Antoine D. Davis

(\*\*) Term: **14 Years**

(57) **CLAIM**

(21) Appl. No.: **29/227,457**

The ornamental design for a meter for a vehicle, as shown and described.

(22) Filed: **Apr. 11, 2005**

**DESCRIPTION**

(30) **Foreign Application Priority Data**

Oct. 14, 2004 (JP) ..... 2004-031096

(51) **LOC (8) Cl.** ..... **10-04**

(52) **U.S. Cl.** ..... **D10/102; D10/98**

(58) **Field of Classification Search** ..... D10/96-98,  
D10/102, 123-126; 73/489, 866.3; 116/286,  
116/304, 305, 35 R-54; 340/461, 438, 441,  
340/449, 450-451; 362/23-30, 489, 800,  
362/362-375

See application file for complete search history.

FIG. 1 is a front elevational view of a meter for a vehicle showing our new design;  
FIG. 2 is a rear elevational view thereof;  
FIG. 3 is a right side elevational view thereof;  
FIG. 4 is a left side elevational view thereof;  
FIG. 5 is a top plan view thereof;  
FIG. 6 is a bottom plan view thereof; and,  
FIG. 7 is a perspective view of a meter for a vehicle in operation.

The broken line in FIG. 7 showing of digital figures is for illustrative purposes only and forms no part of the claimed design.

(56) **References Cited**

**U.S. PATENT DOCUMENTS**

D318,631 S \* 7/1991 Asano ..... D10/102

**1 Claim, 3 Drawing Sheets**

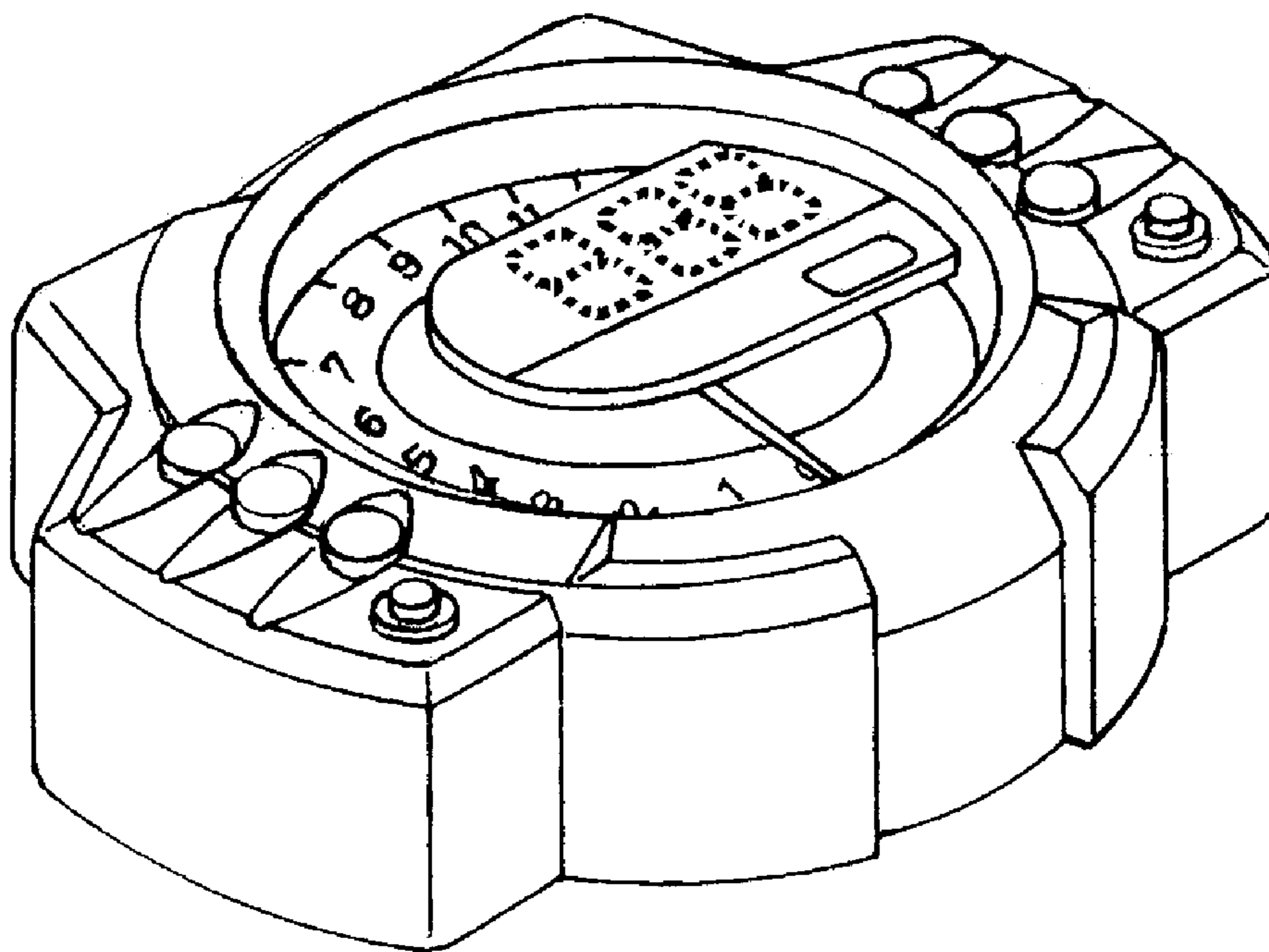


Fig. 1

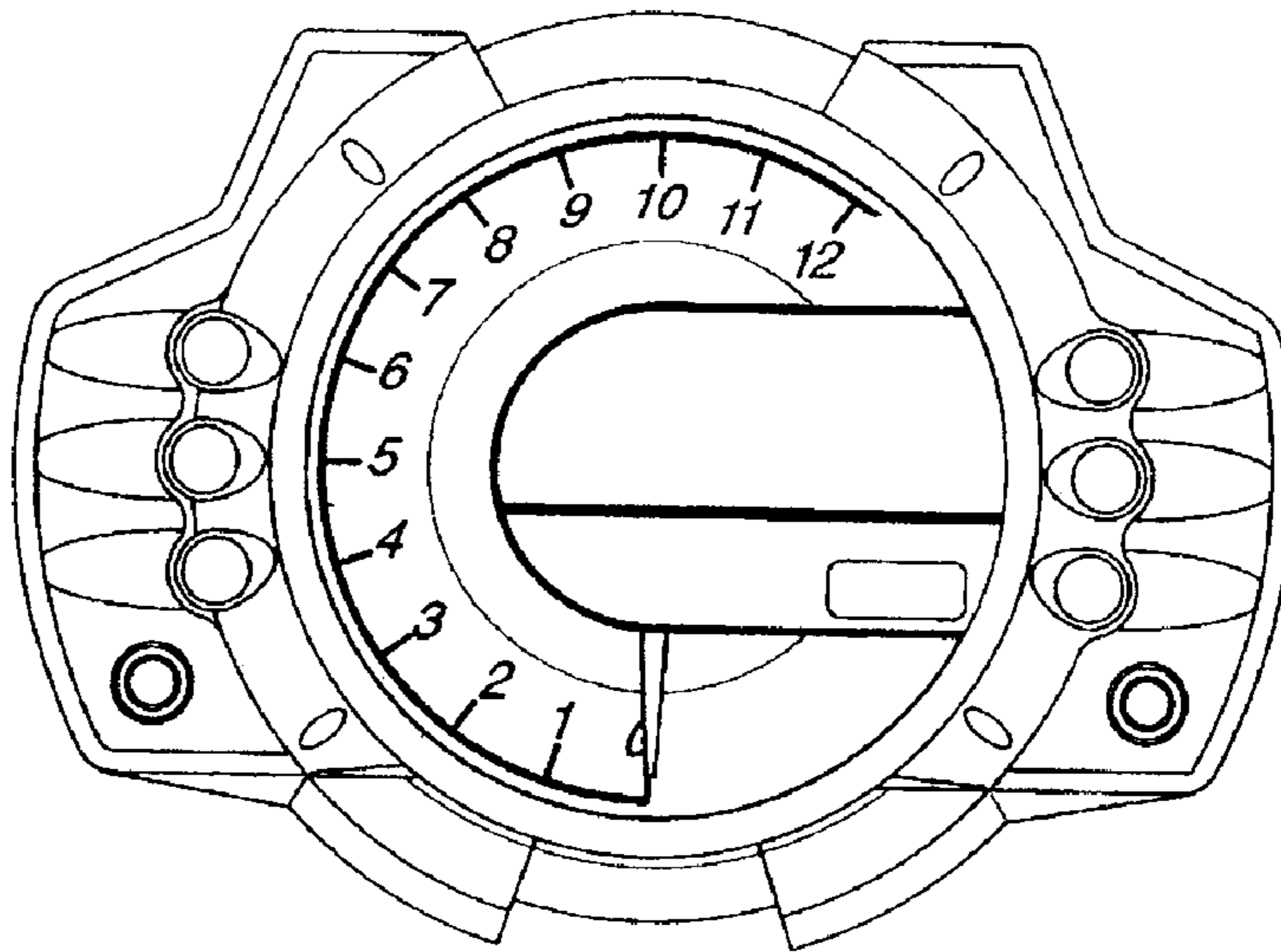


Fig. 2

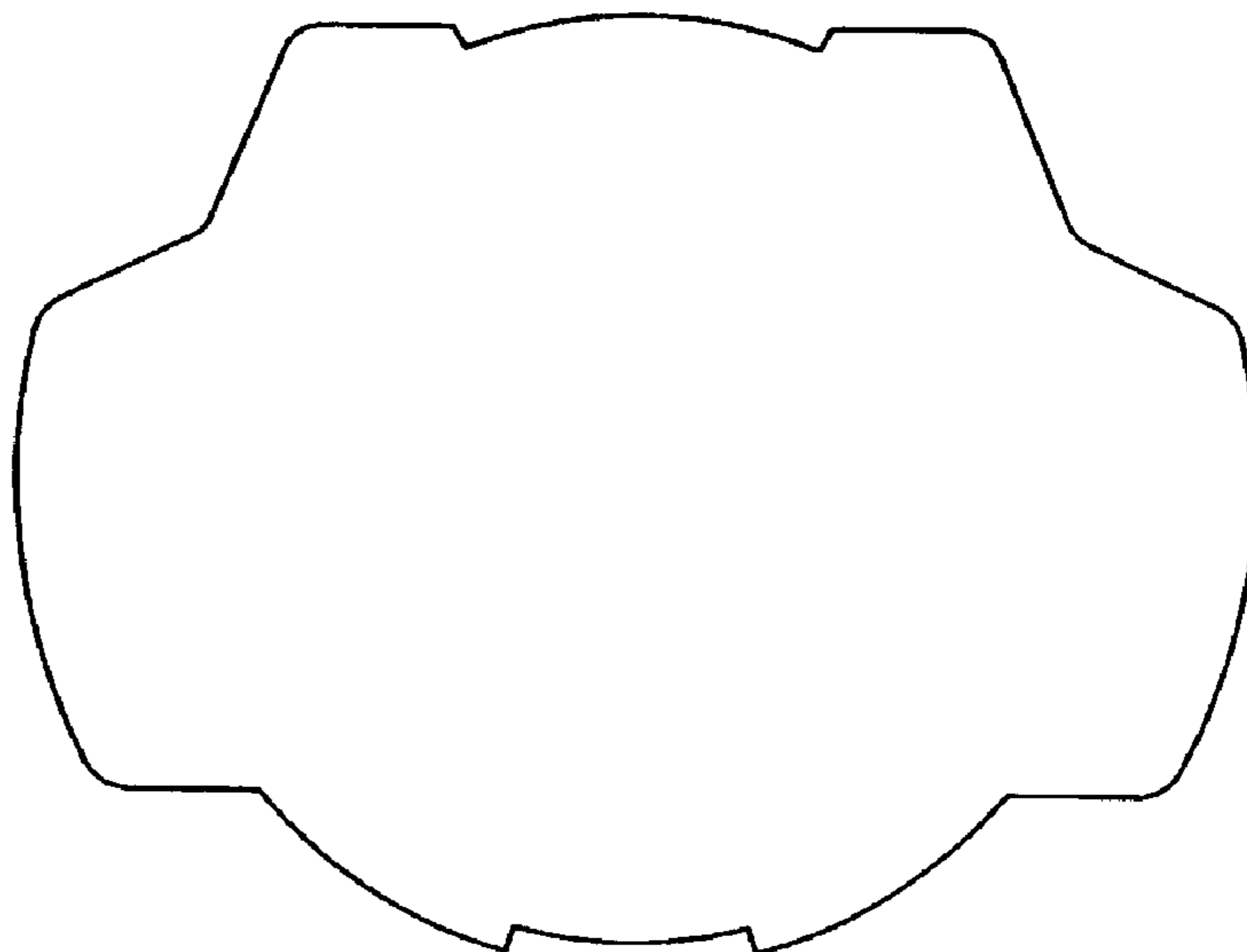


Fig. 3

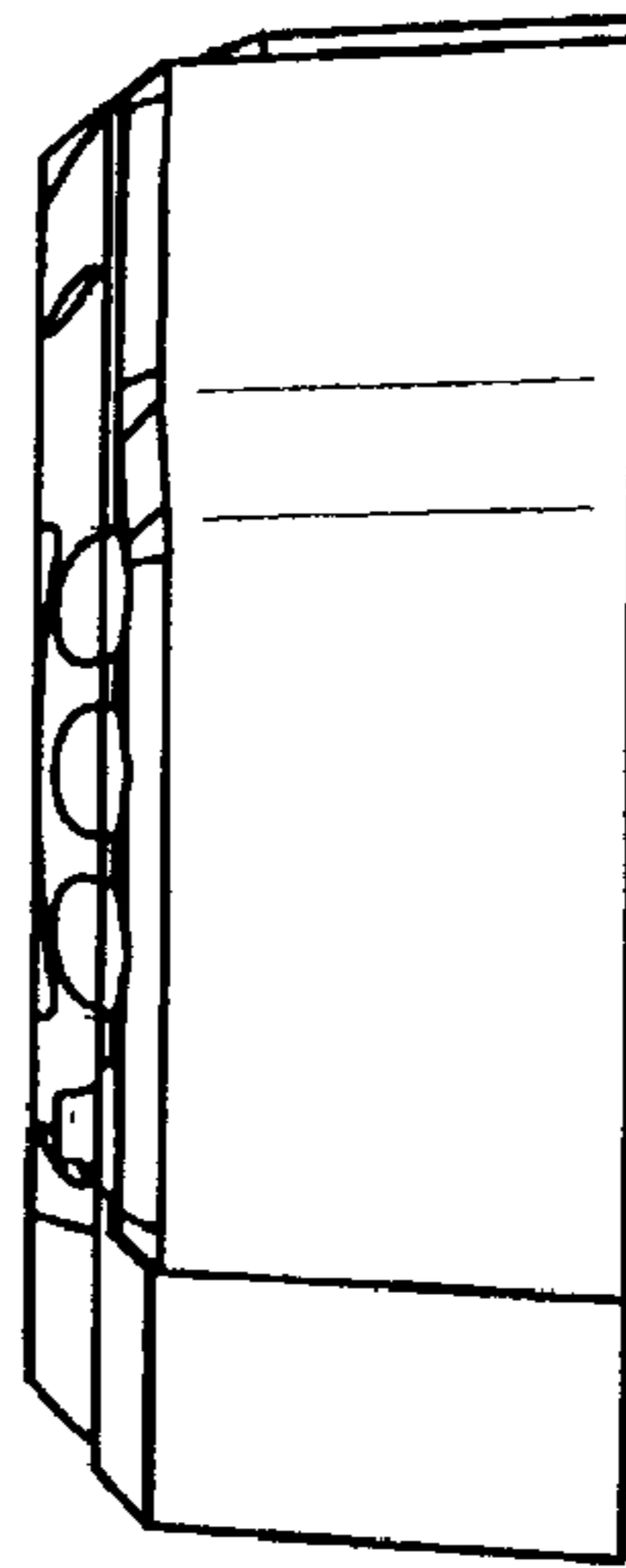


Fig. 4

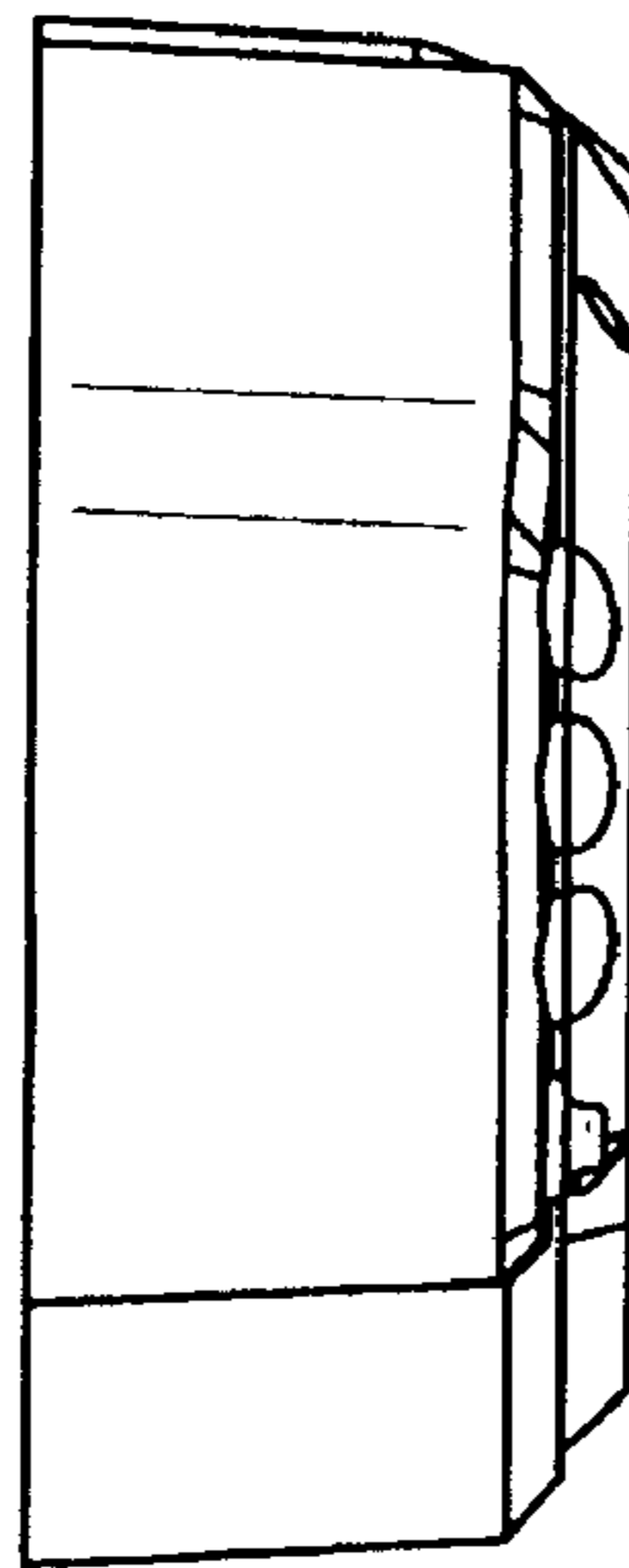


Fig. 5

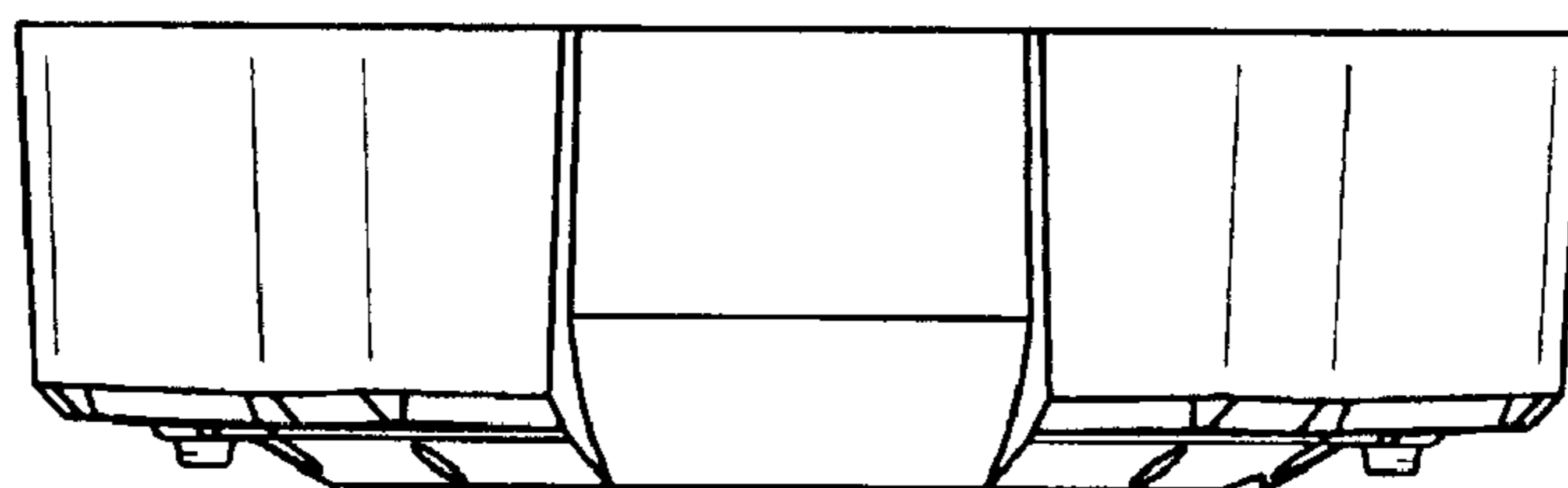


Fig. 6

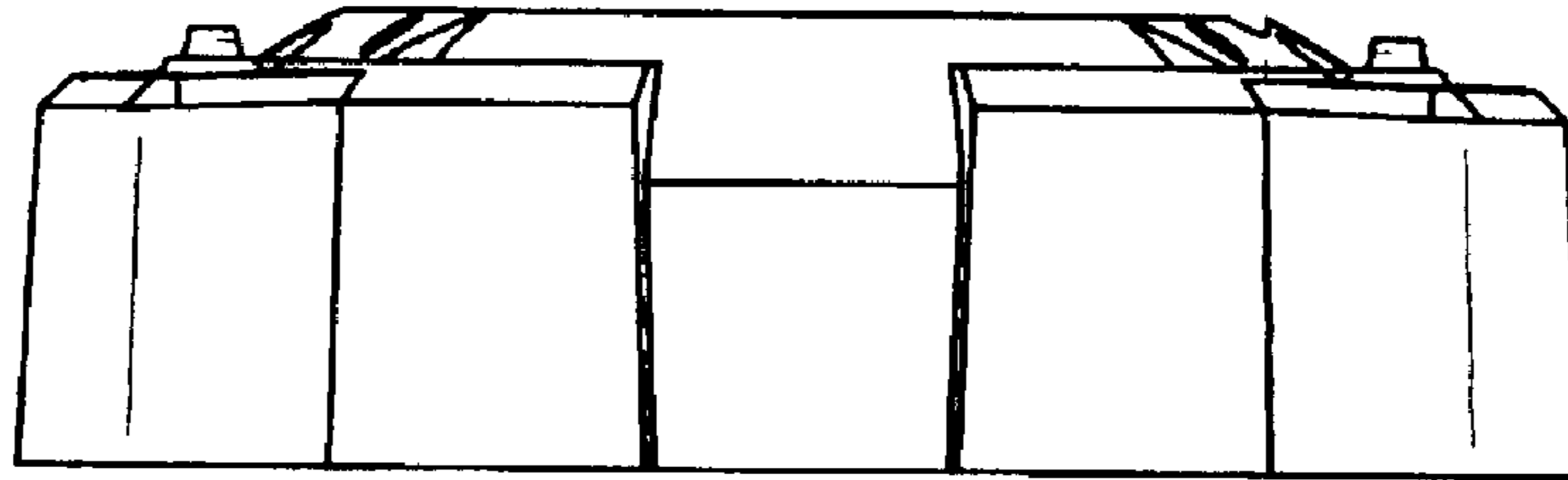


Fig. 7

