



US00D529831S

(12) **United States Design Patent**  
**Malhi**

(10) **Patent No.:** **US D529,831 S**

(45) **Date of Patent:** **\*\* Oct. 10, 2006**

(54) **SMALL FOLDING SCALE**

(76) **Inventor:** **Anil K. Malhi**, 470 E. 3rd St., Los Angeles, CA (US) 90013

(\*\*) **Term:** **14 Years**

(21) **Appl. No.:** **29/255,024**

(22) **Filed:** **Mar. 2, 2006**

(51) **LOC (8) Cl.** ..... **10-04**

(52) **U.S. Cl.** ..... **D10/91; D10/92**

(58) **Field of Classification Search** ..... D10/91-92;  
177/210 C, 210 R, 238-245, DIG. 3, DIG. 25,  
177/DIG. 30, 229

See application file for complete search history.

(56) **References Cited**

**U.S. PATENT DOCUMENTS**

- D455,092 S \* 4/2002 Kesselman ..... D10/91
- D498,156 S \* 11/2004 Lee ..... D10/92
- D518,398 S \* 4/2006 Kesselman ..... D10/91

\* cited by examiner

*Primary Examiner*—Antoine D. Davis

(74) *Attorney, Agent, or Firm*—Robert J. Lauson, Esq.;  
Lauson & Associates

(57) **CLAIM**

The ornamental design for a small folding scale, as shown and described.

**DESCRIPTION**

FIG. 1 is a perspective view of the preferred embodiment showing my new design;

FIG. 2 is a top view thereof;

FIG. 3 is a front view thereof;

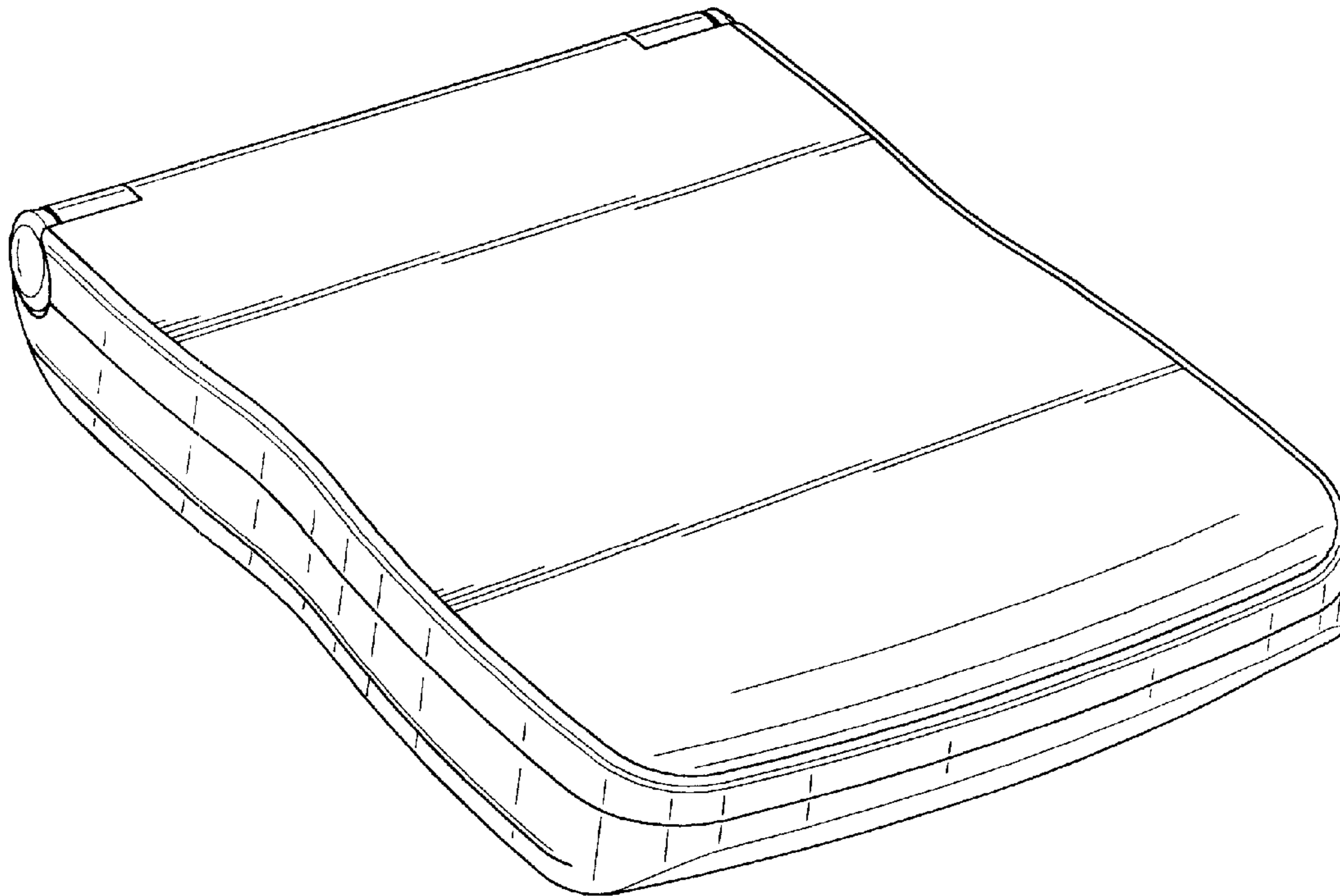
FIG. 4 is a side view thereof;

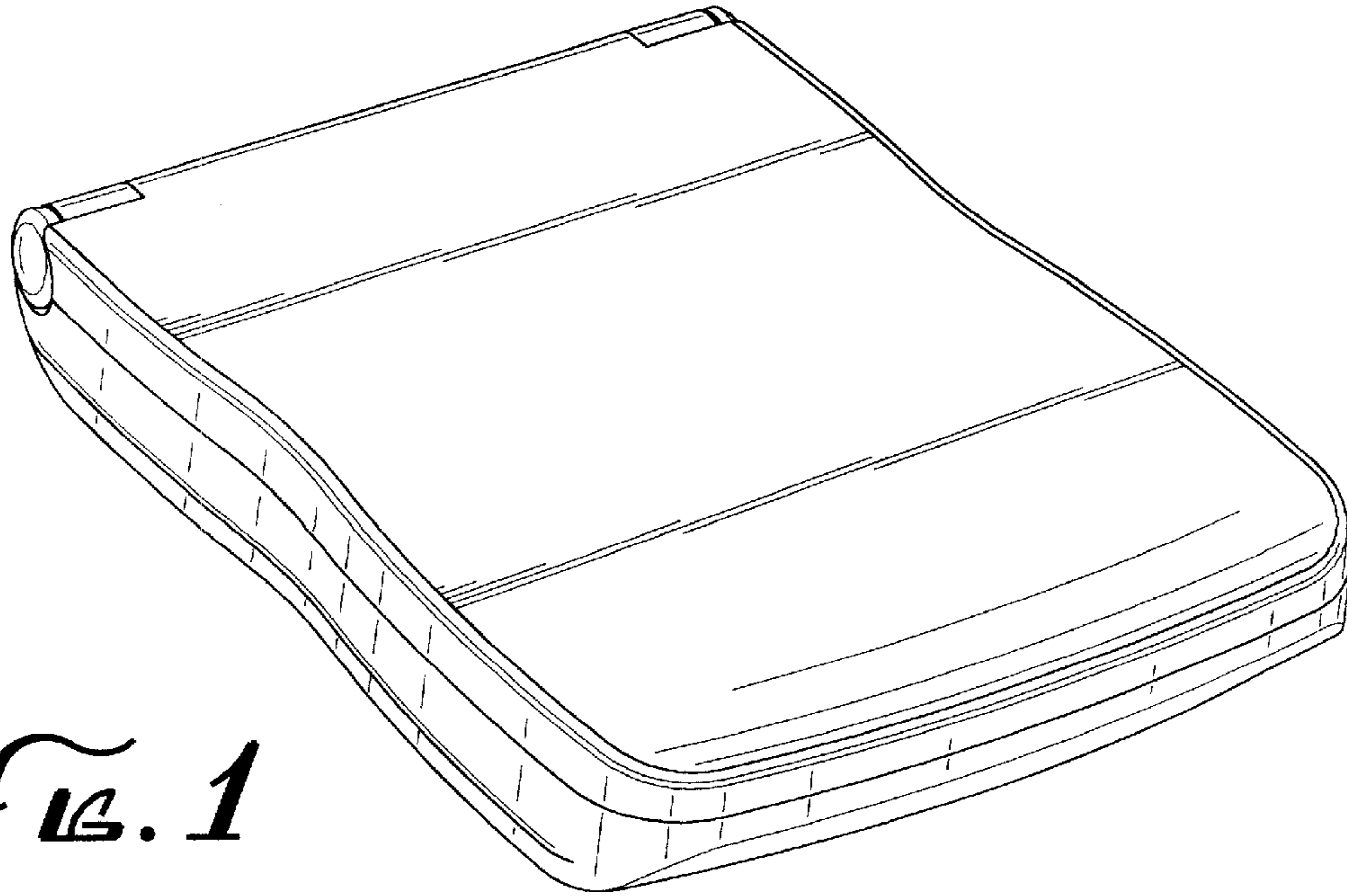
FIG. 5 is rear view thereof;

FIG. 6 is a bottom view thereof; and,

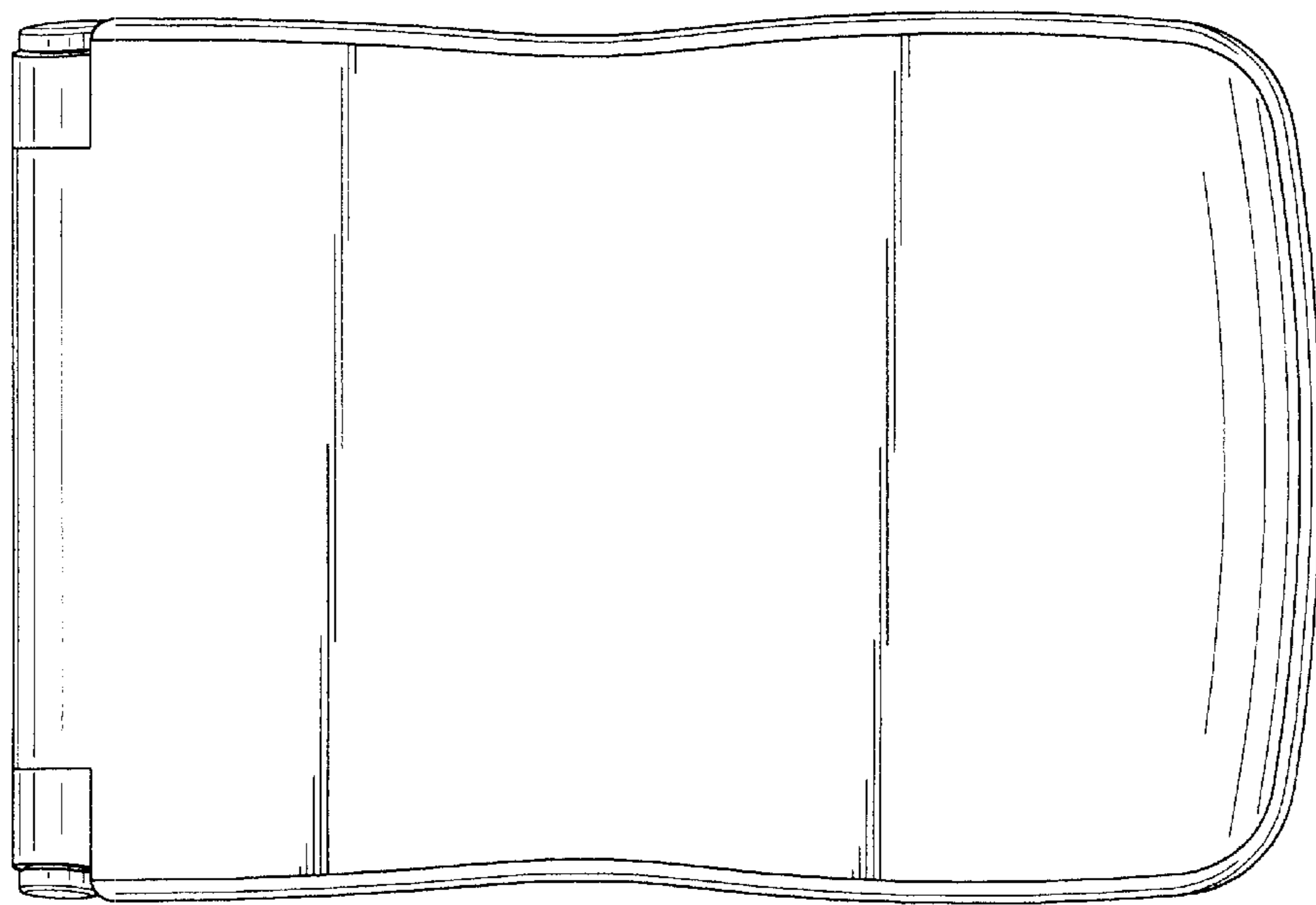
FIG. 7 is a perspective view thereof; with the cover open showing the inside.

**1 Claim, 4 Drawing Sheets**

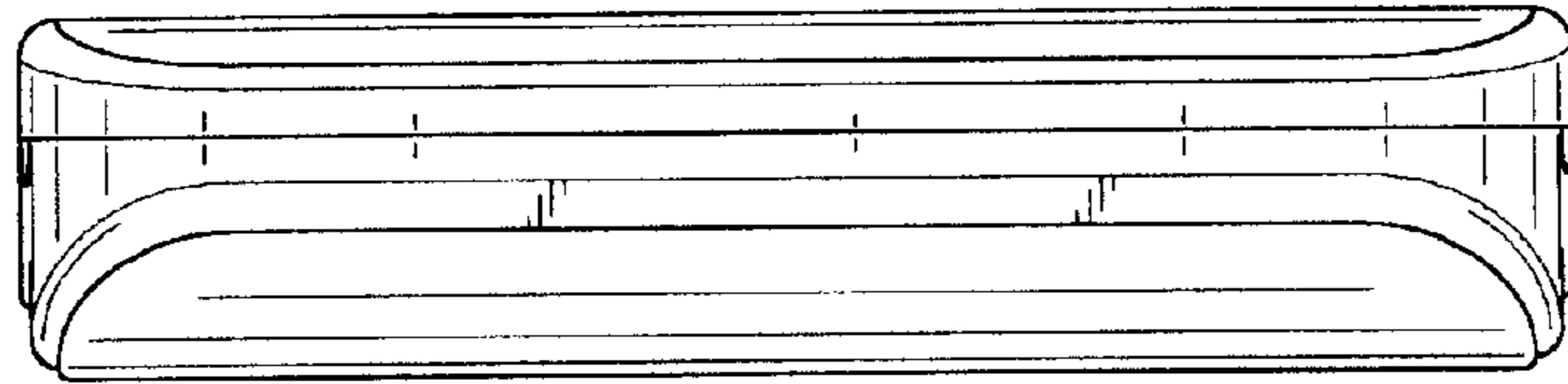




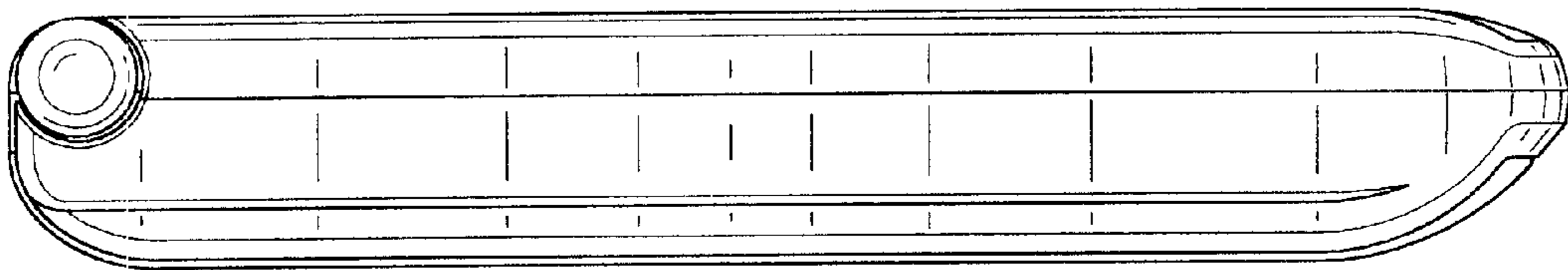
*FIG. 1*



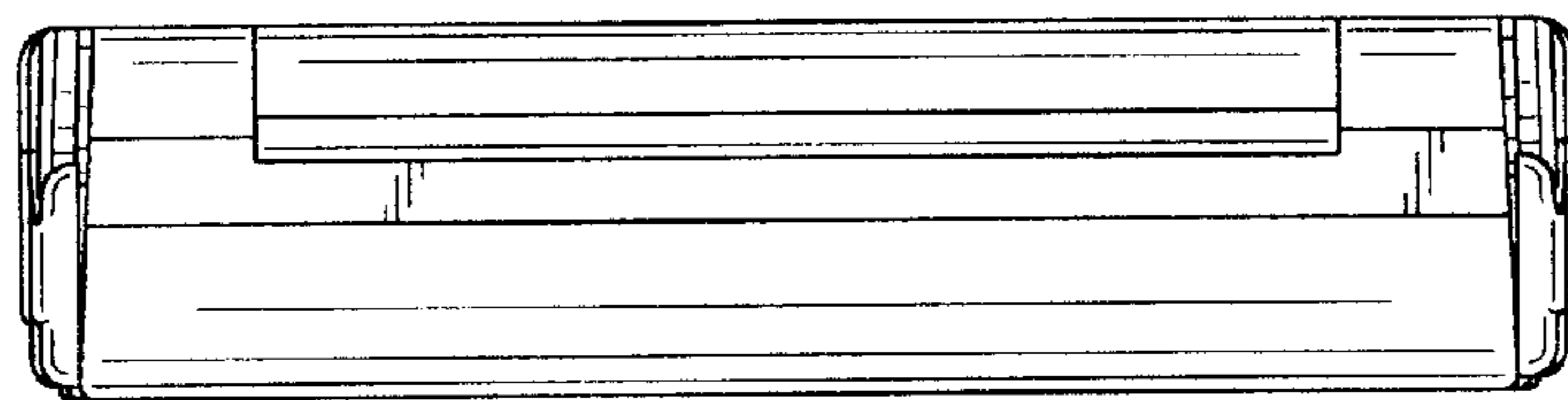
*FIG. 2*



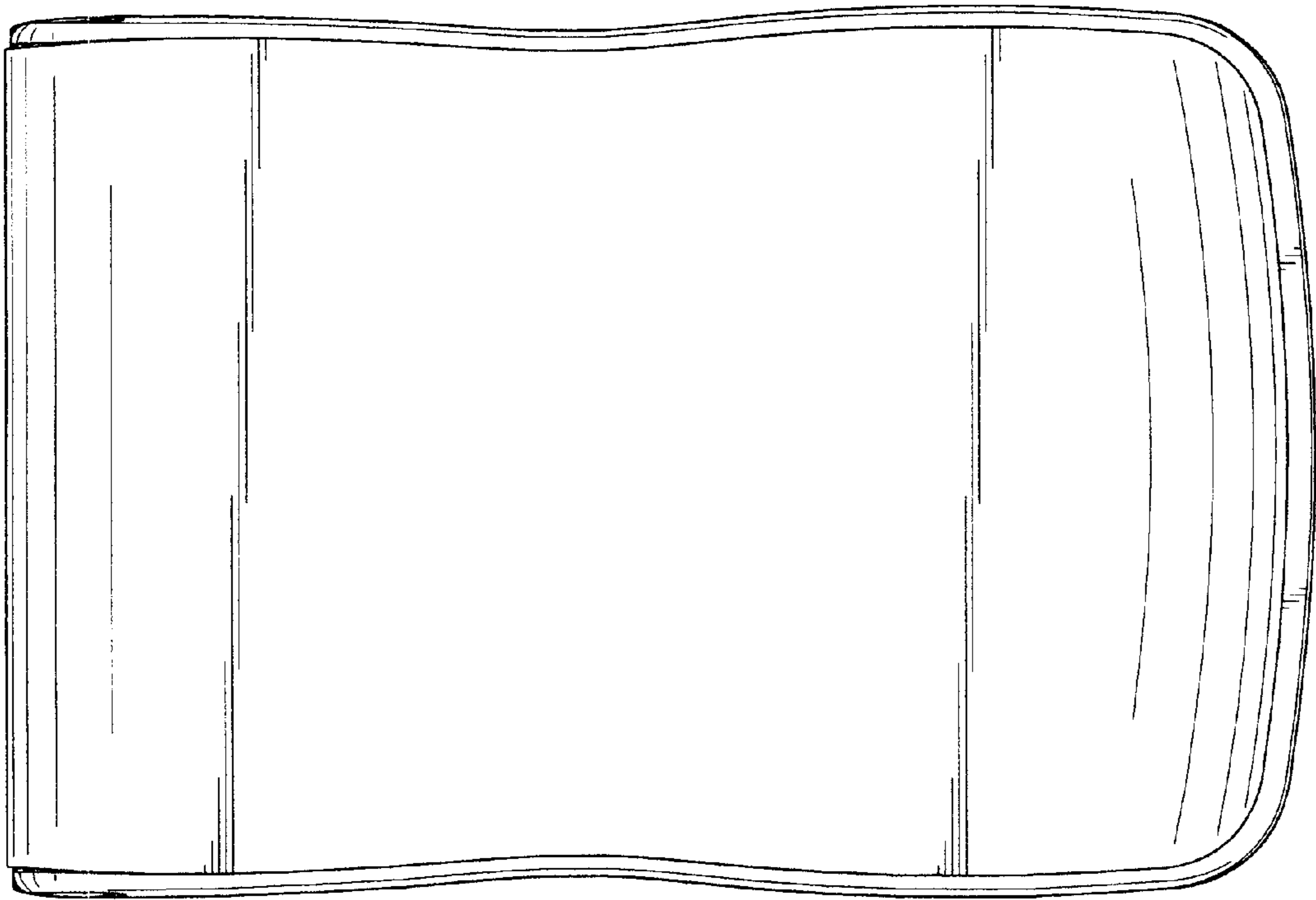
*FIG. 3*



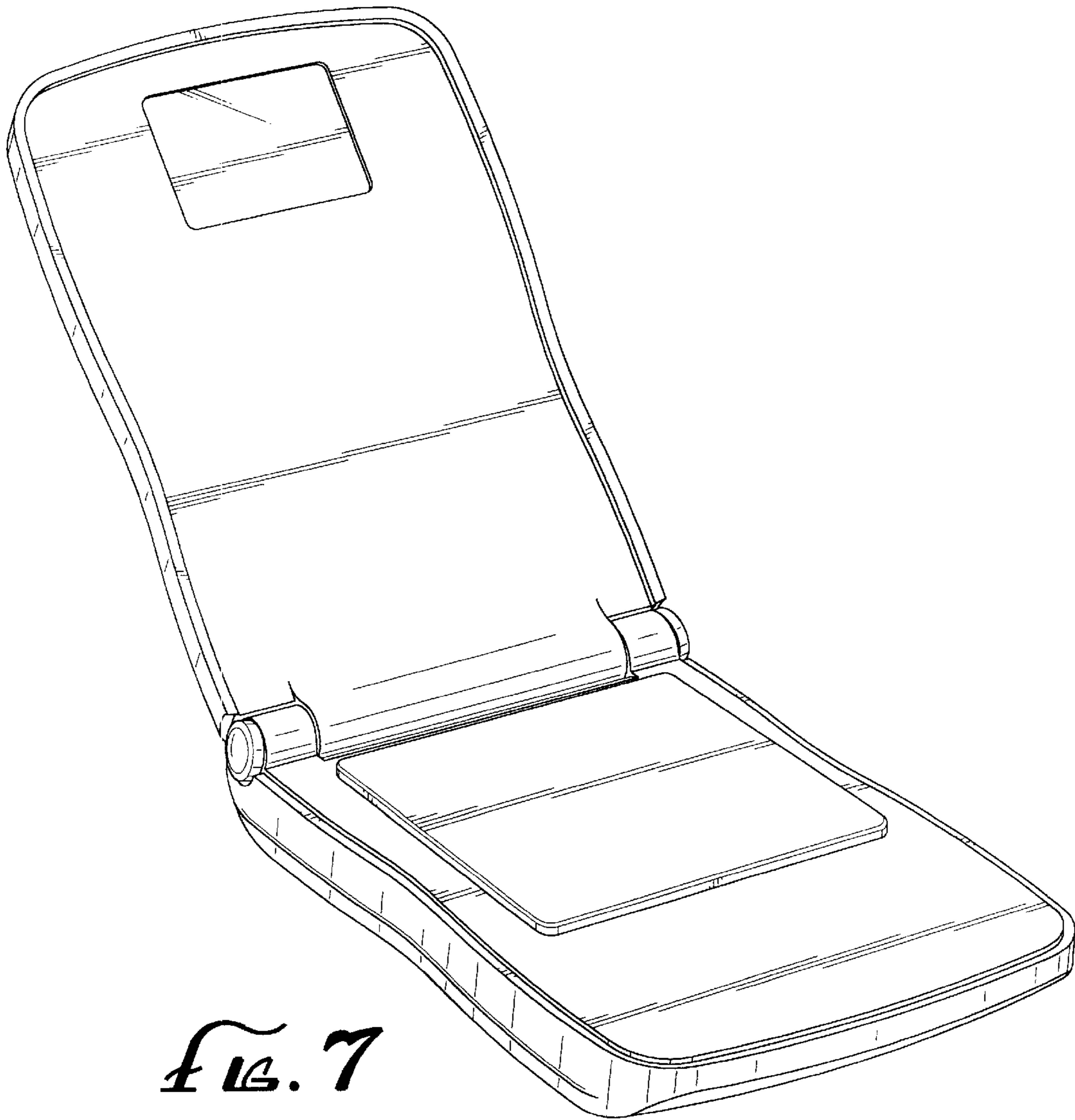
*FIG. 4*



*FIG. 5*



*FIG. 6*



*FIG. 7*