

US00D529823S

(12) **United States Design Patent**
Tien

(10) **Patent No.:** **US D529,823 S**

(45) **Date of Patent:** **** Oct. 10, 2006**

(54) **PHOTO TRAVEL ALARM**

(75) Inventor: **Kuang-Hsia Tien**, Pasadena, CA (US)

(73) Assignee: **Sweda Co., LLC**, Monrovia, CA (US)

(**) Term: **14 Years**

(21) Appl. No.: **29/236,416**

(22) Filed: **Aug. 16, 2005**

(51) **LOC (8) Cl.** **10-01**

(52) **U.S. Cl.** **D10/2; D10/15; D10/18**

(58) **Field of Classification Search** D10/1-29,
D10/122-132, 53, 57; 368/276-278, 280,
368/285, 223, 10, 316, 317, 28-30, 239-242,
368/244, 262, 82-84; D6/300-302, 308,
D6/311, 310
See application file for complete search history.

(56) **References Cited**

U.S. PATENT DOCUMENTS

D264,823 S	*	6/1982	Satoh	D10/15
D309,986 S	*	8/1990	Sakai	D6/308
D333,271 S	*	2/1993	Erlichman	D10/2
D337,529 S	*	7/1993	Shimamura	D10/18
D363,881 S	*	11/1995	Yung	D10/18
D382,820 S	*	8/1997	Chan	D10/40
D387,996 S	*	12/1997	Chan	D10/18
D390,787 S	*	2/1998	Chan	D10/18
D434,070 S	*	11/2000	Lin et al.	D19/21
D457,070 S	*	5/2002	Fong	D10/10
D458,850 S	*	6/2002	Fong	D10/18
D500,252 S	*	12/2004	Hsu	D10/18

OTHER PUBLICATIONS

The Sharper Image, Holiday, 2004. p. 79, Alarm Clock With talking Picture frame. Retrieved from internet using Google Advanced catalog search: URL:www.sharperimage.com>.*

* cited by examiner

Primary Examiner—Lucy Lieberman

(74) *Attorney, Agent, or Firm*—Clement Cheng

(57) **CLAIM**

The ornamental design for a photo travel alarm, as shown and described.

DESCRIPTION

FIG. 1 is a front perspective view of the photo travel alarm in the open position.

FIG. 2 is a perspective of the photo travel alarm in closed position.

FIG. 3 is a front view of the photo travel alarm in closed position.

FIG. 4 is a rear view of the photo travel alarm in closed position.

FIG. 5 is a top view of the photo travel alarm in closed position.

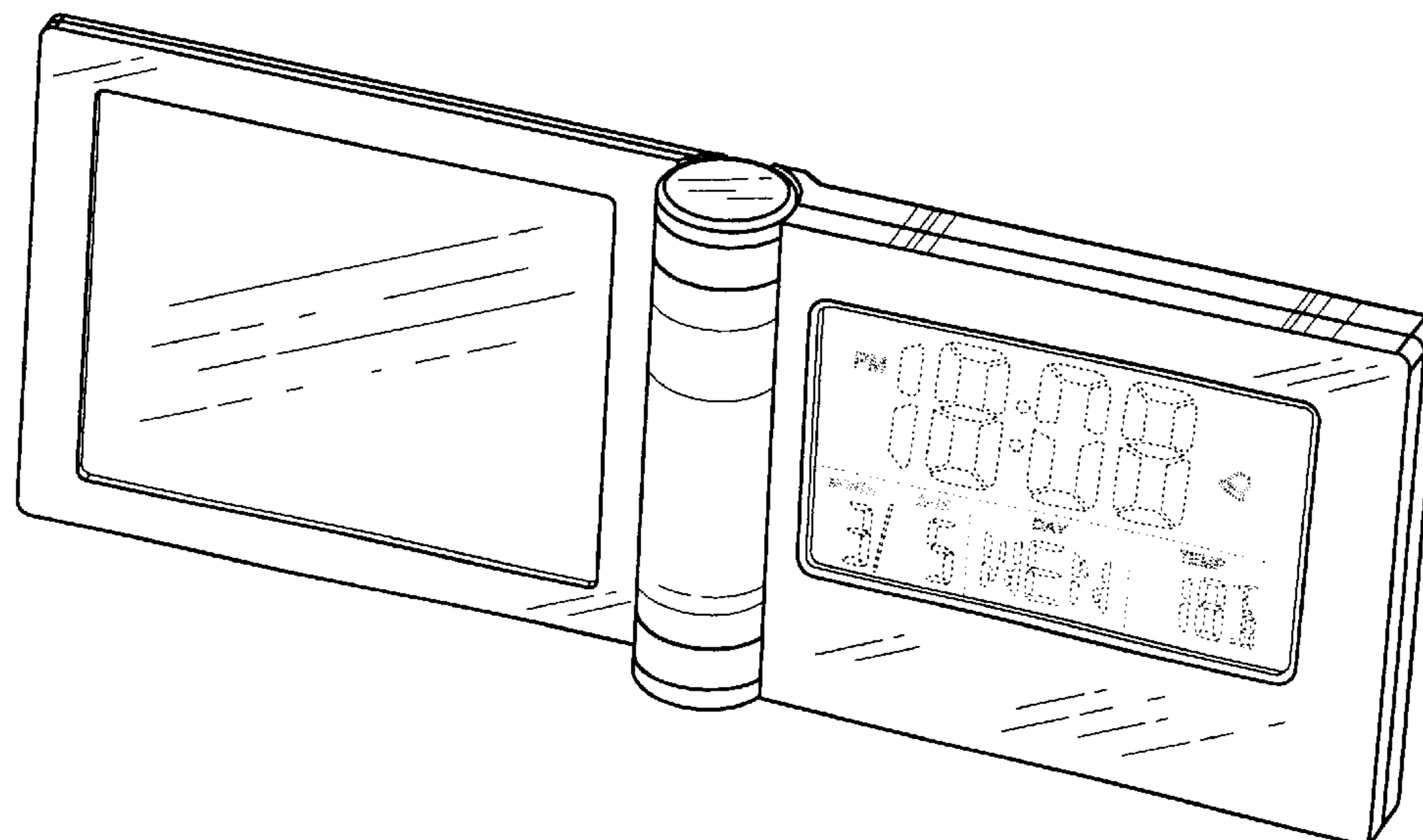
FIG. 6 is a bottom view of the photo travel alarm in closed position.

FIG. 7 is a left side view of the photo travel alarm in closed position; and,

FIG. 8 is a right side view of the photo travel alarm in closed position.

The broken lines in the drawings are for illustrative purposes only and form no part of the claimed design. The views in the drawings are shown on different scales.

1 Claim, 5 Drawing Sheets



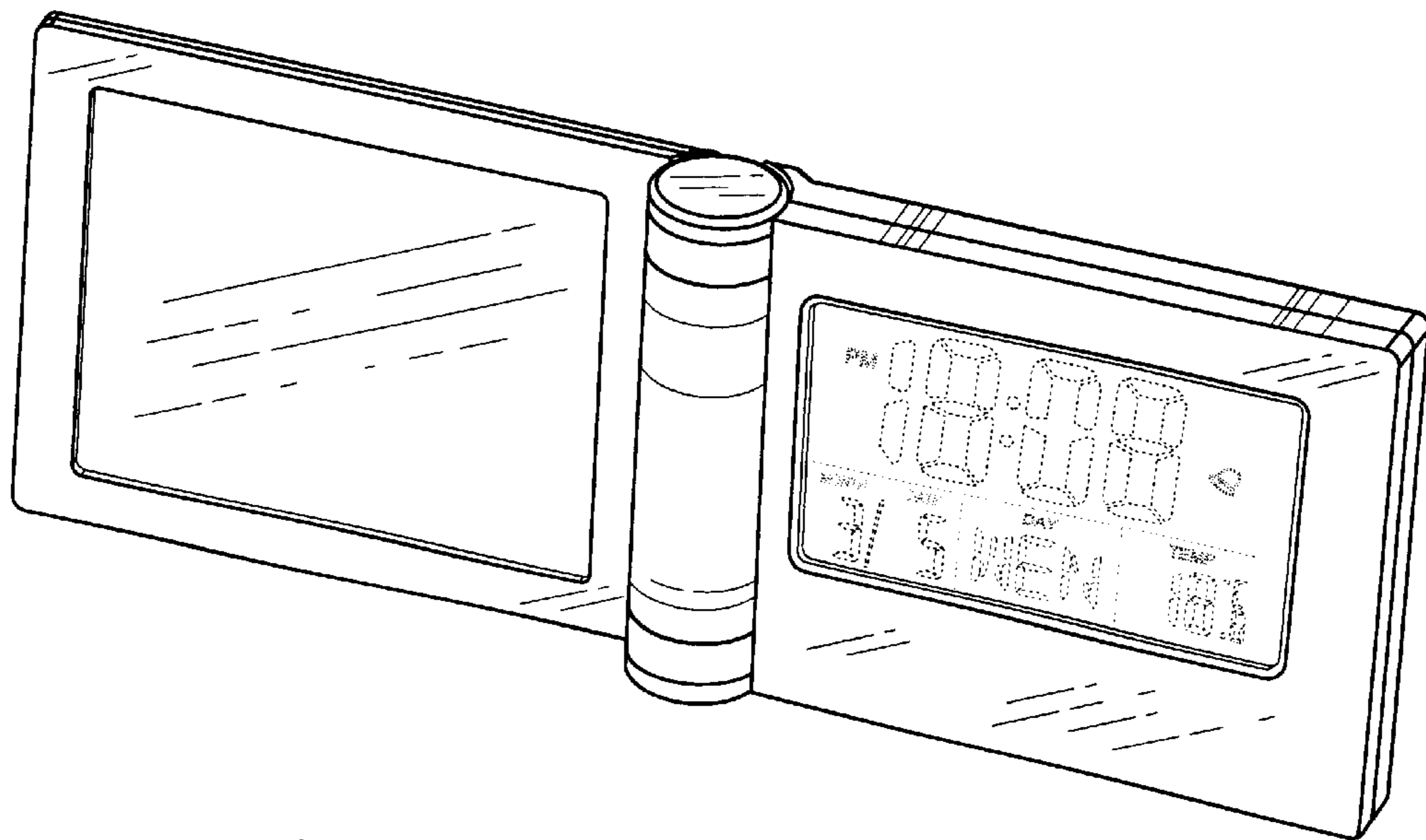


Fig. 1

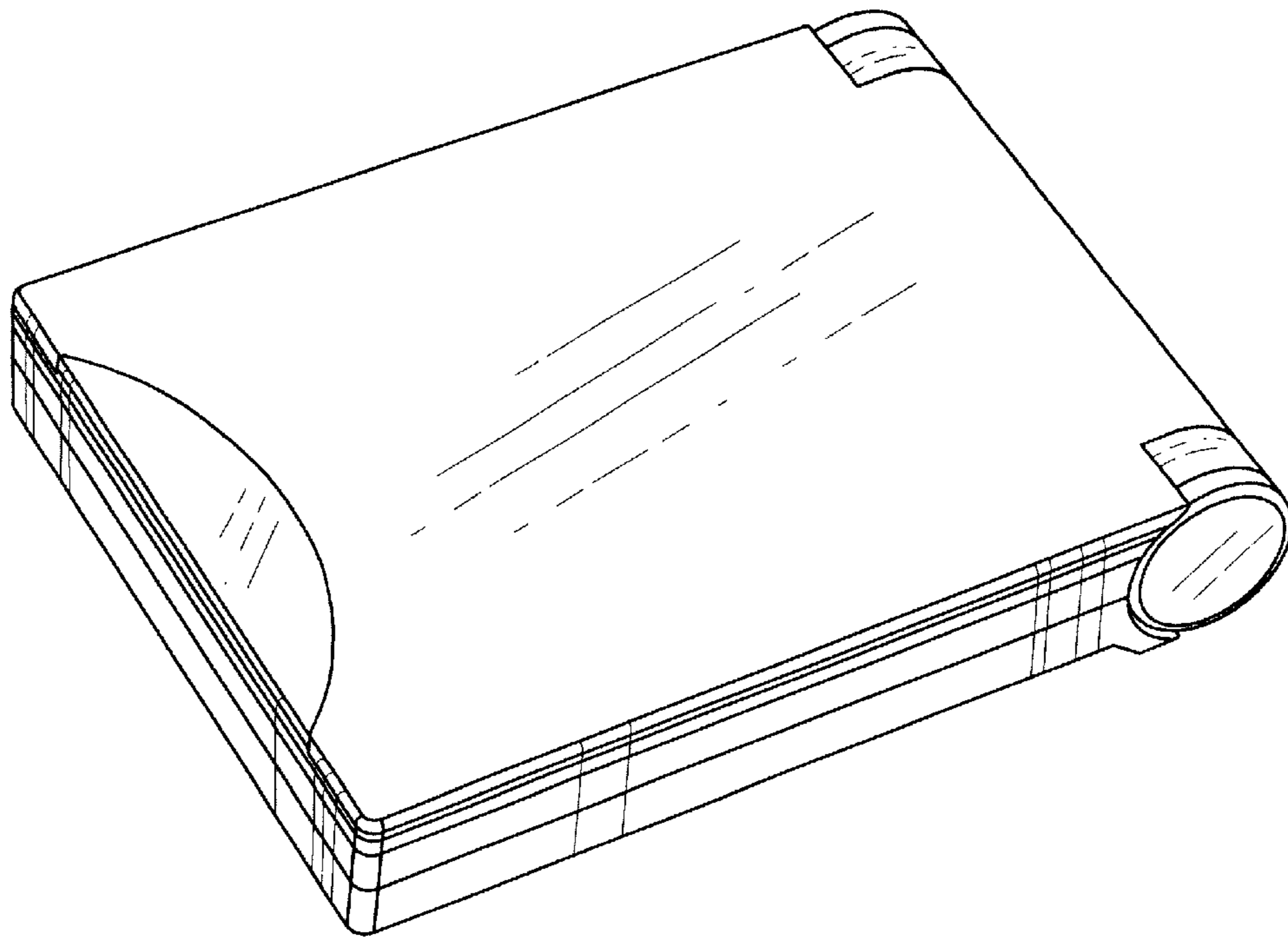


Fig. 2

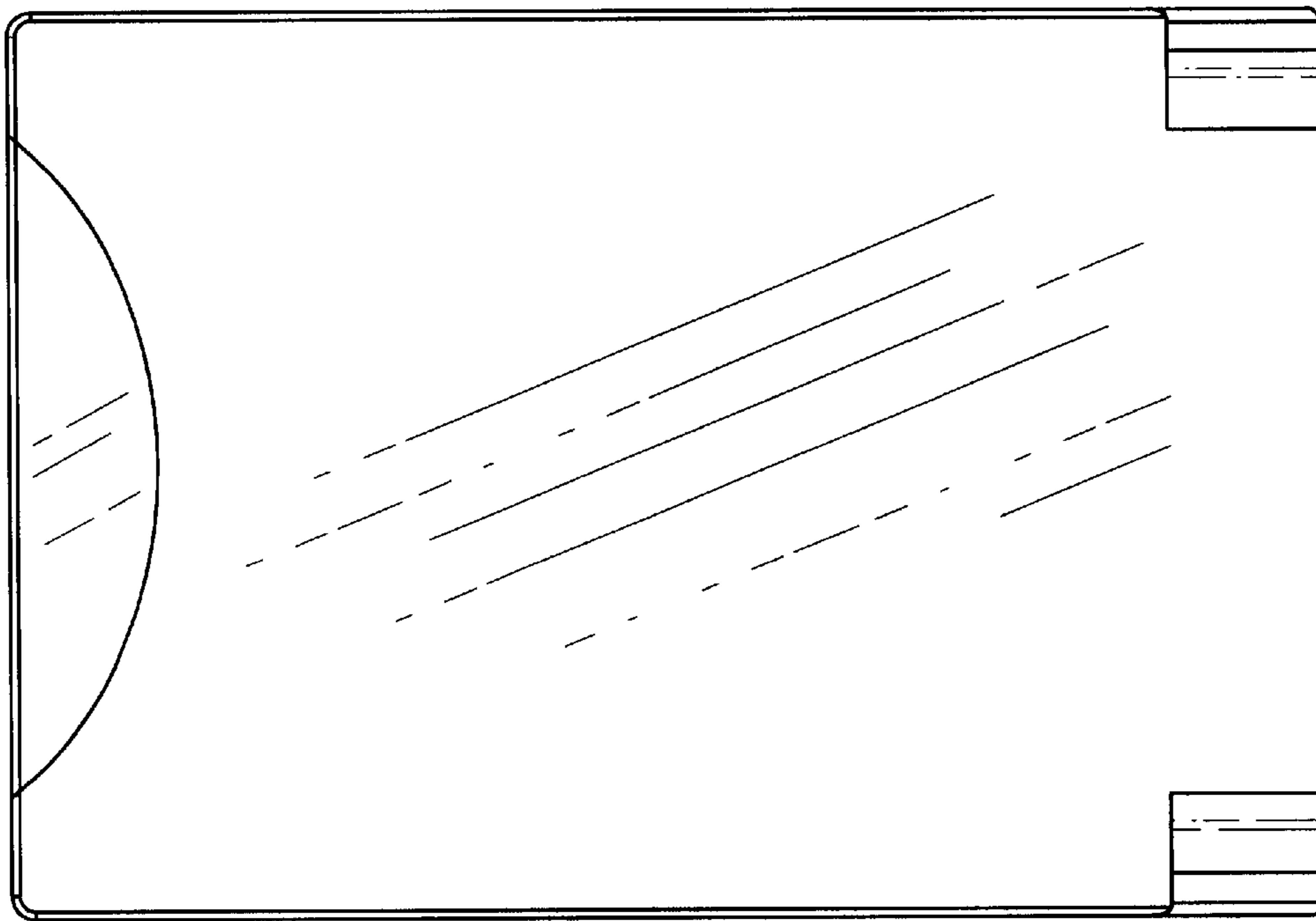


Fig. 3

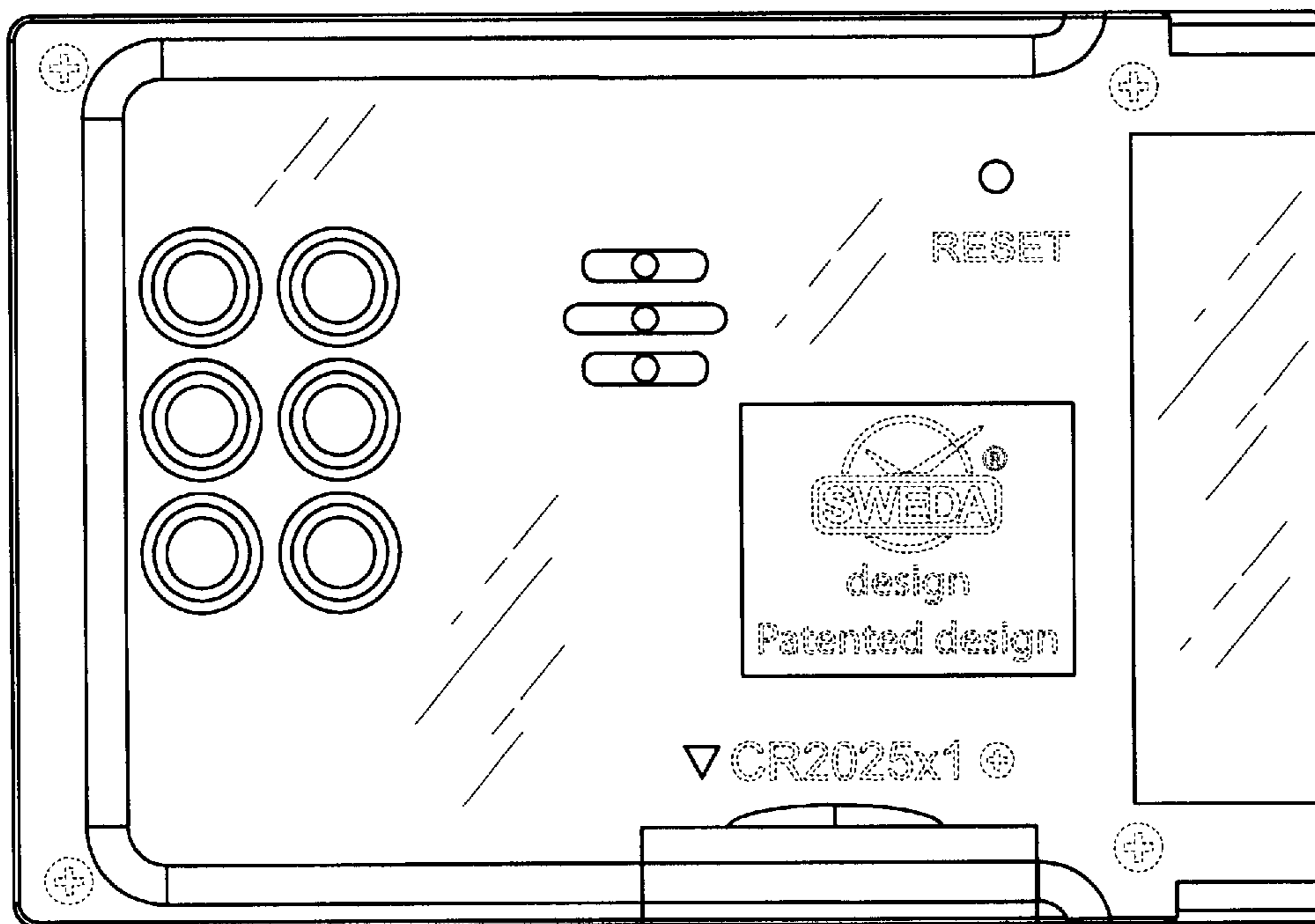


Fig. 4

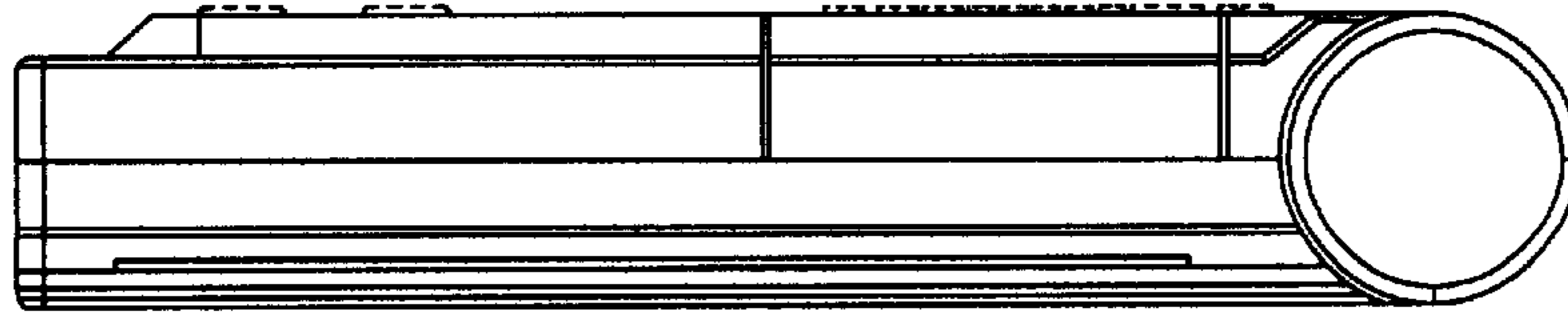


Fig. 5

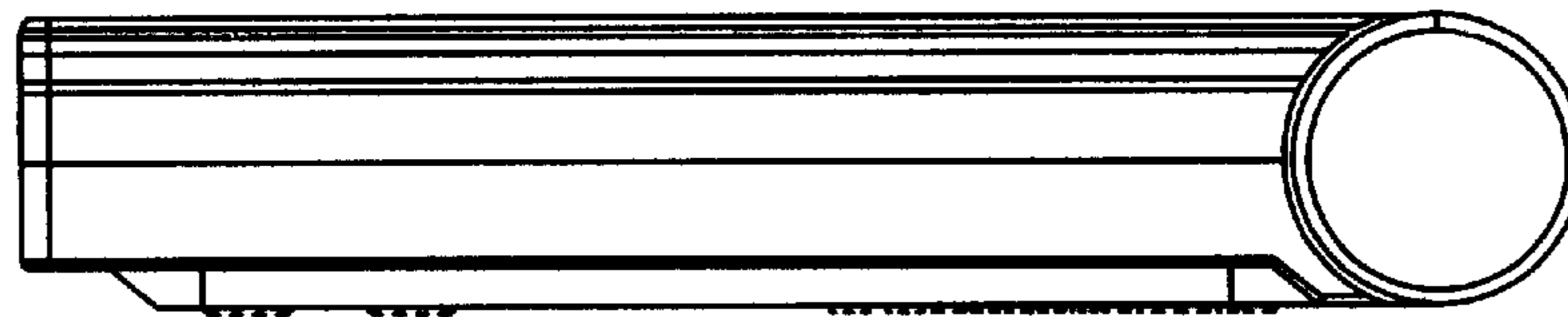


Fig. 6

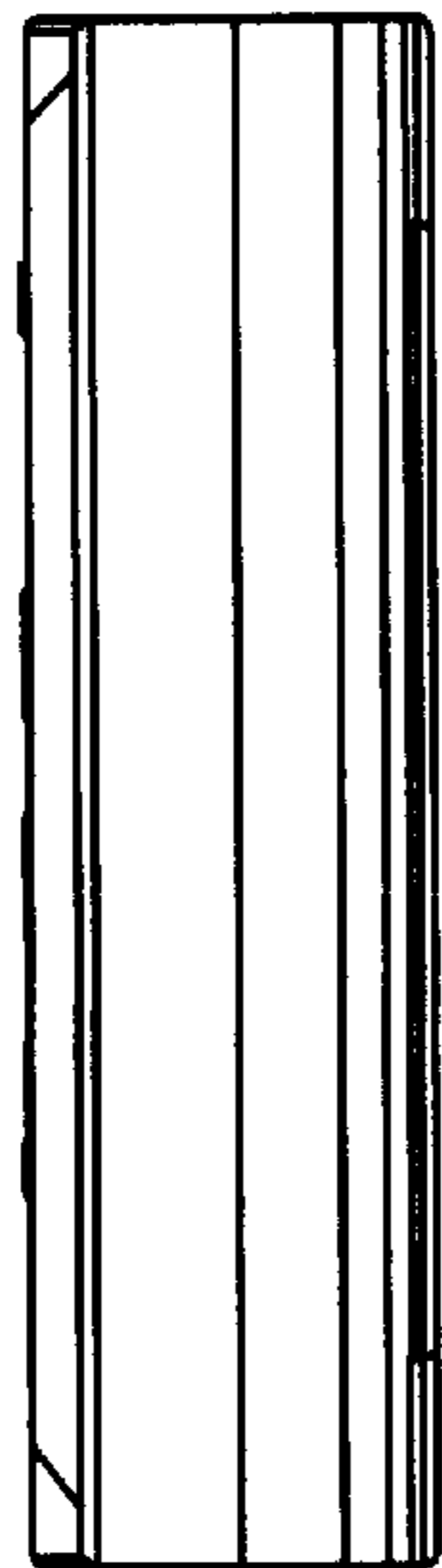


Fig. 7

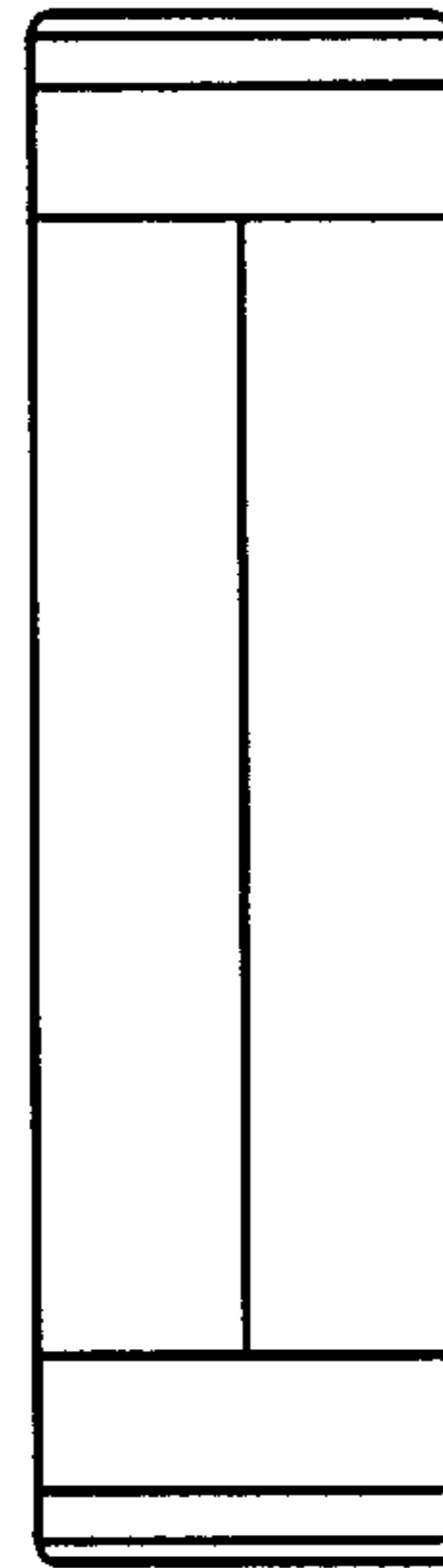


Fig. 8