



US00D529819S

(12) **United States Design Patent**
Jackson

(10) **Patent No.:** **US D529,819 S**

(45) **Date of Patent:** **** Oct. 10, 2006**

(54) **PRODUCT DISPENSER**

(75) Inventor: **Matthew Robert James Jackson,**
Chicago, IL (US)

(73) Assignee: **Wm. Wrigley Jr. Company,** Chicago,
IL (US)

(**) Term: **14 Years**

(21) Appl. No.: **29/244,626**

(22) Filed: **Dec. 12, 2005**

(51) **LOC (8) Cl.** **09-03**

(52) **U.S. Cl.** **D9/733**

(58) **Field of Classification Search** D9/730,
D9/733, 757, 414, 420, 422, 424, 426, 428;
D3/203.2; D6/512, 515; D28/4, 7, 9, 73-77,
D28/85; 206/373, 376, 385; 221/17, 22, 92-98,
221/112, 289; 222/92-97, 129; 225/25
See application file for complete search history.

(56) **References Cited**

U.S. PATENT DOCUMENTS

D115,047 S	*	5/1939	Matthay	D9/422
D204,505 S	*	4/1966	Bostrom	D9/757
4,043,448 A		8/1977	Tanaka		
4,262,835 A	*	4/1981	Wrobel	225/25
D273,403 S	*	4/1984	DeLuca	D9/426
D276,590 S	*	12/1984	Lobel	D9/730
D301,643 S	*	6/1989	Bakic	D28/85
D322,394 S	*	12/1991	Grandesso	D9/422
D337,725 S	*	7/1993	Bunin	D3/203.3
5,620,109 A		4/1997	Madden		

5,680,949 A	*	10/1997	Roesler	220/8
D391,681 S	*	3/1998	Huang	D28/85
5,829,591 A	*	11/1998	Lyons	206/373
D426,153 S		6/2000	Sagel		
D456,952 S	*	5/2002	Sakurai et al.	D28/76
D491,805 S		6/2004	Loth		
D495,250 S	*	8/2004	Learey	D9/428

* cited by examiner

Primary Examiner—Stella Reid

Assistant Examiner—Shanda C. Hill

(74) *Attorney, Agent, or Firm*—Rebecca A. Aumann

(57) **CLAIM**

The ornamental design for a product dispenser, as shown and described.

DESCRIPTION

FIG. 1 is a perspective view of a product dispenser showing my new design, shown in a preferred environment for ease of illustration;

FIG. 2 is a perspective view of the product dispenser;

FIG. 3 is an enlarged front view thereof;

FIG. 4 is an enlarged rear view thereof;

FIG. 5 is an enlarged top bottom view thereof;

FIG. 6 is an enlarged bottom view thereof;

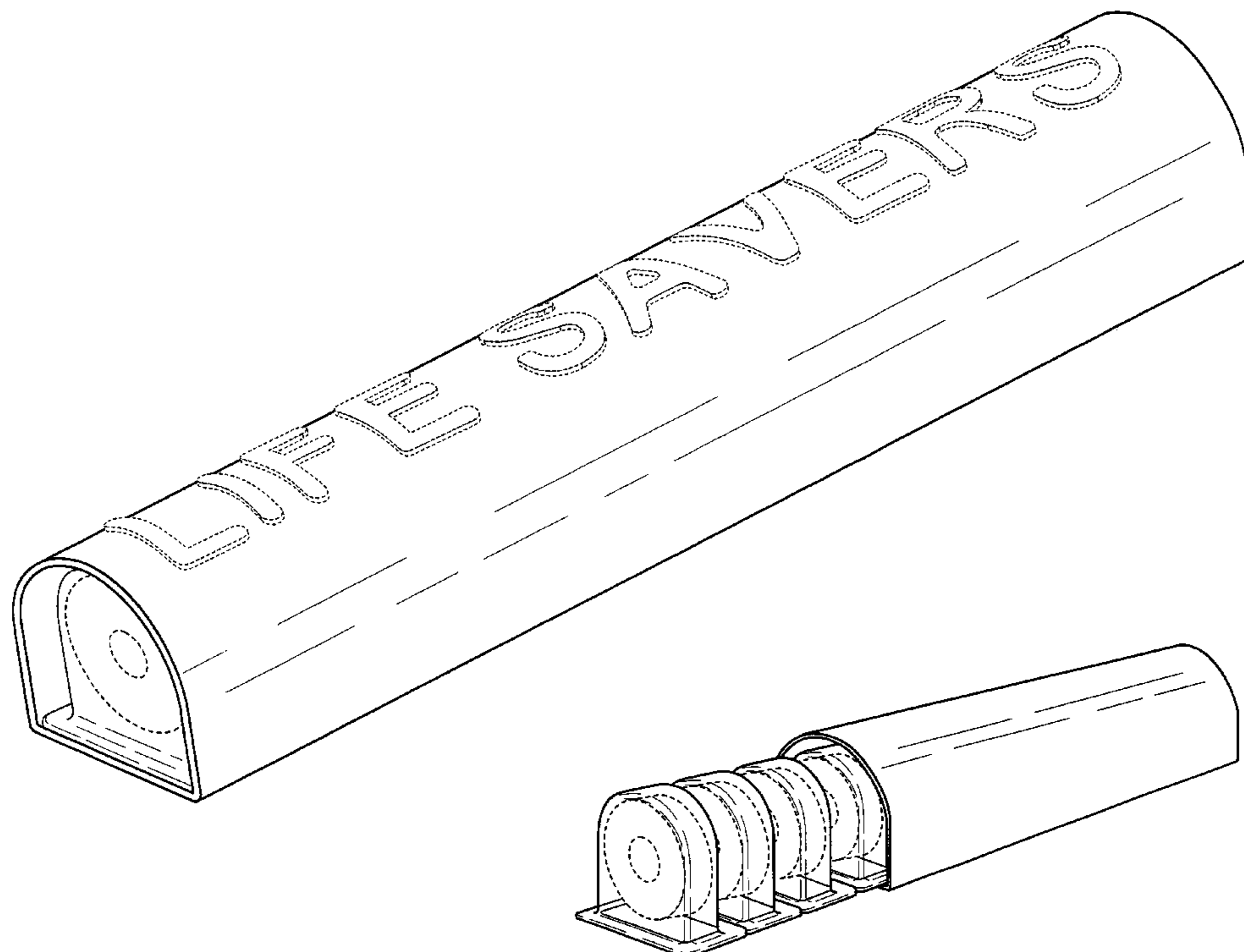
FIG. 7 is a left side view thereof;

FIG. 8 is a right side view thereof;

FIG. 9 is a partial bottom perspective view thereof, wherein a portion of the cover is in an open position; and,

FIG. 10 is a reduced top perspective view thereof, wherein a portion of the cover is in an open position.

1 Claim, 6 Drawing Sheets



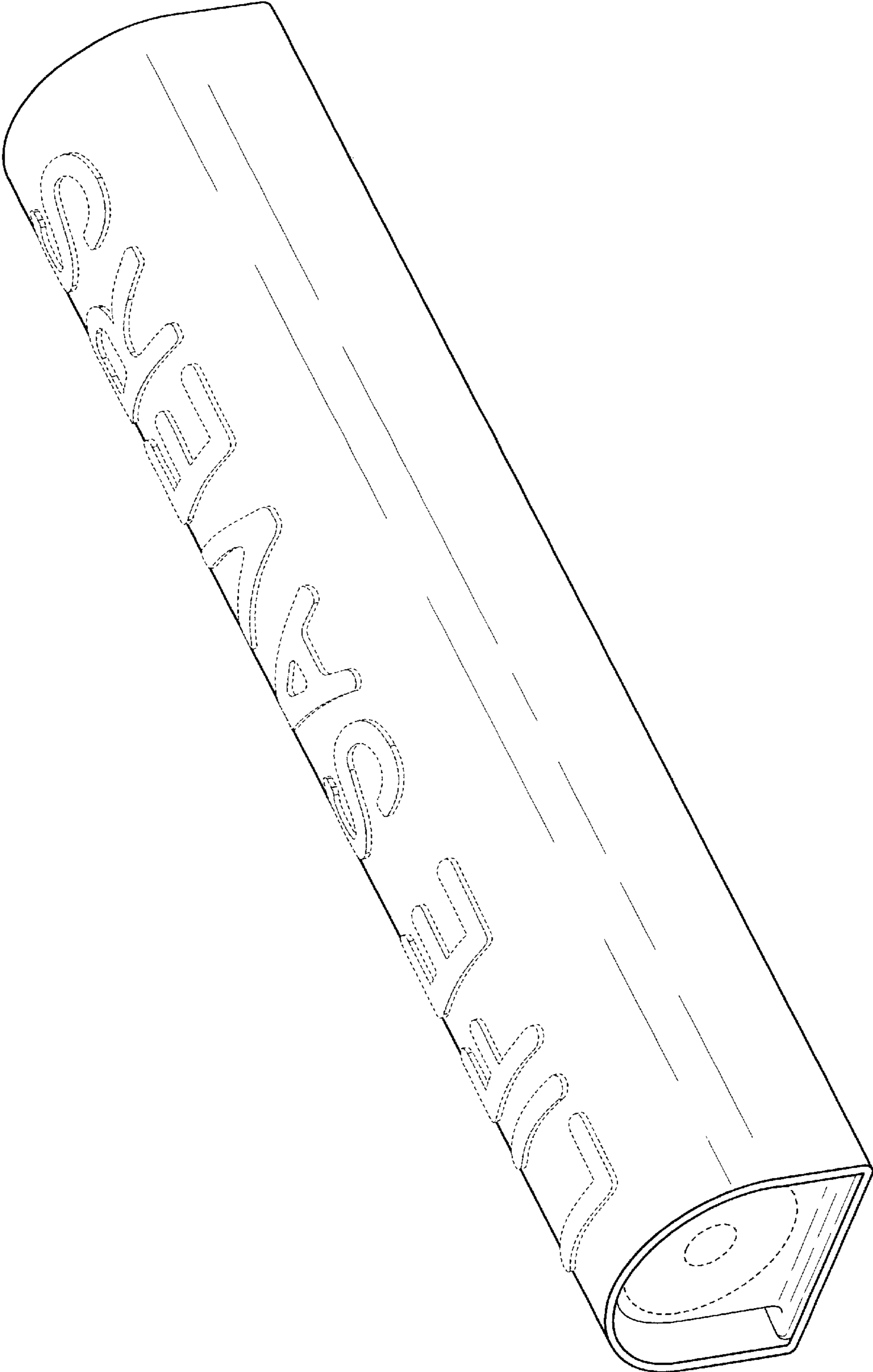


FIG. 1

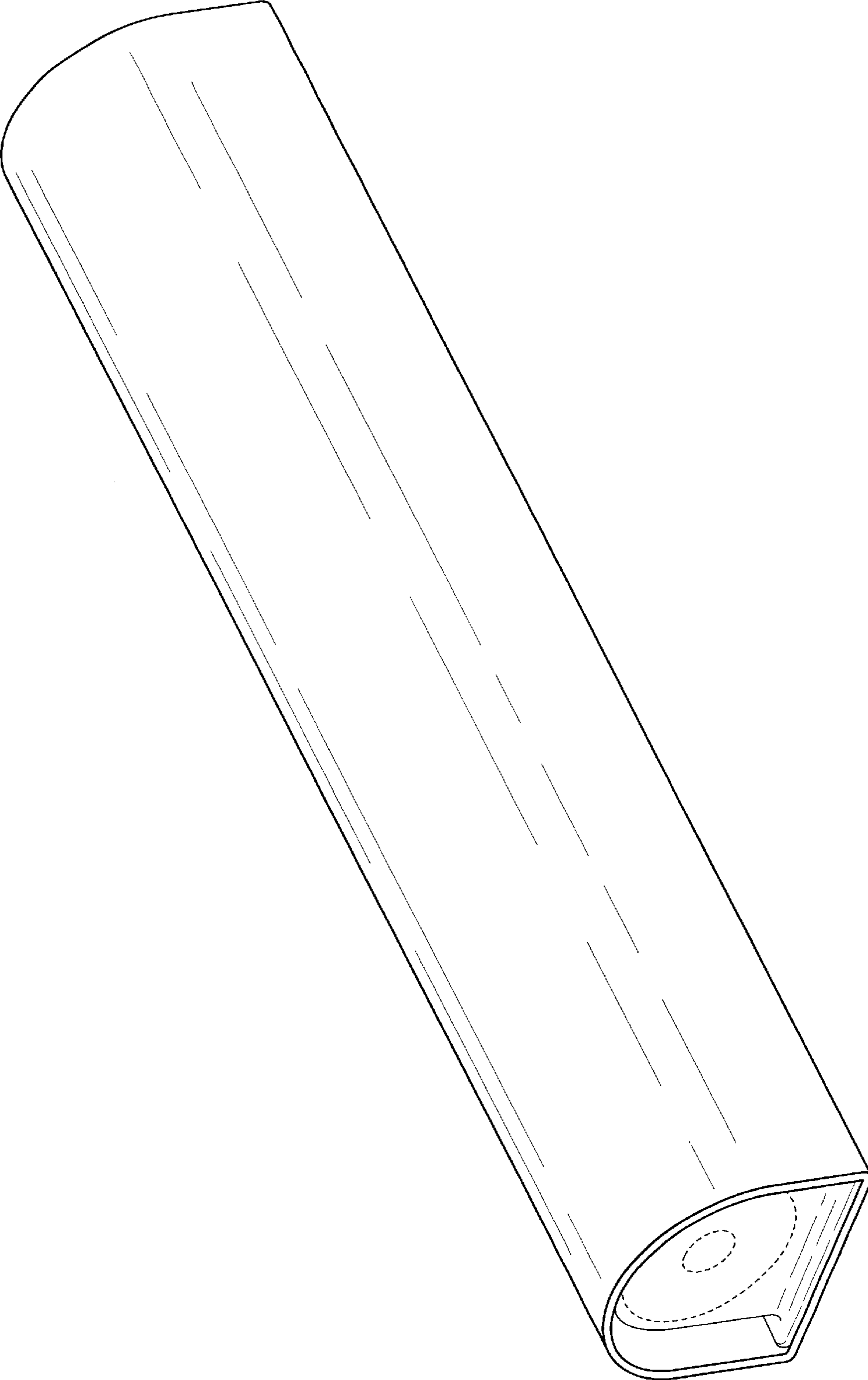


FIG. 2

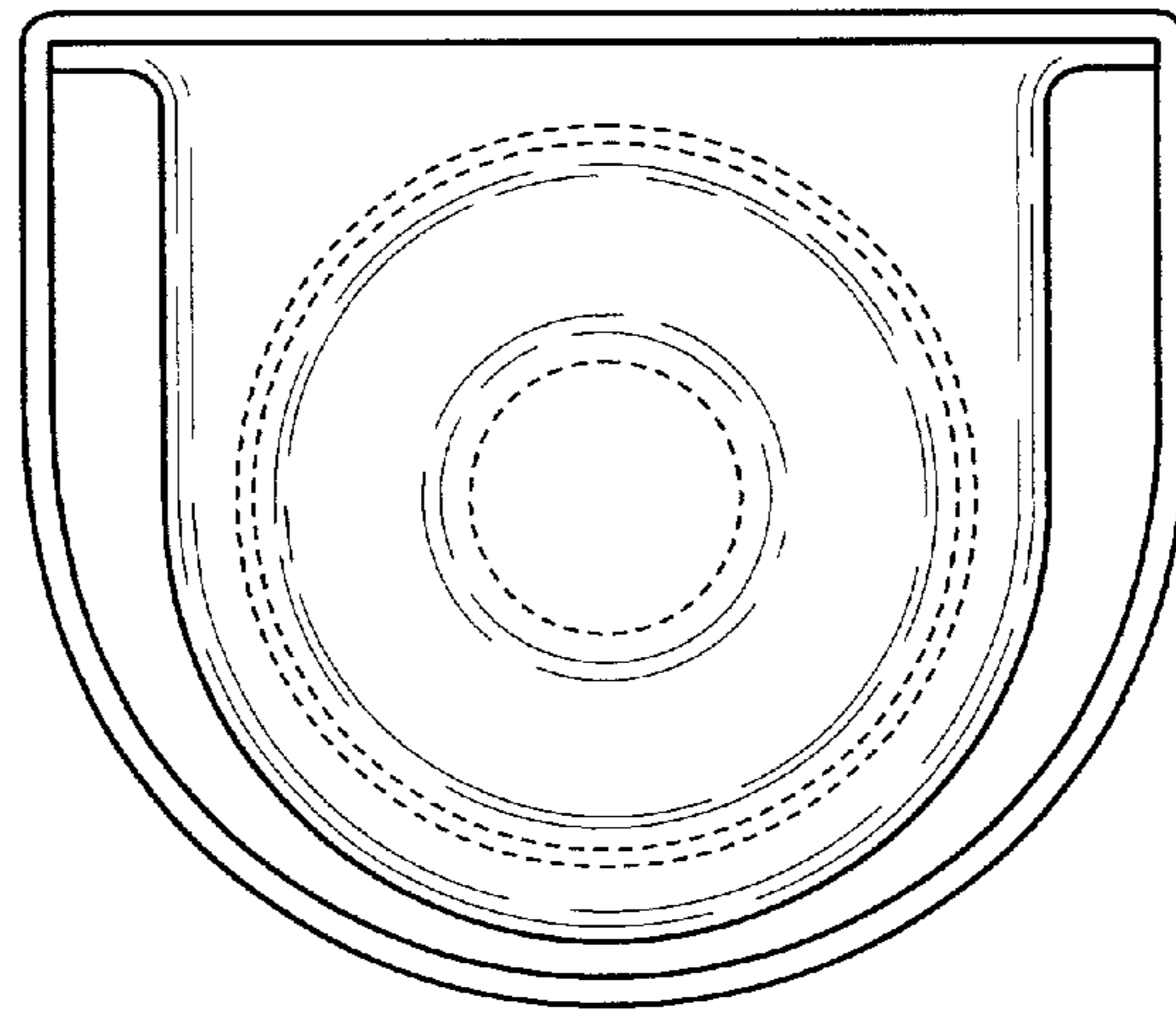


FIG. 3

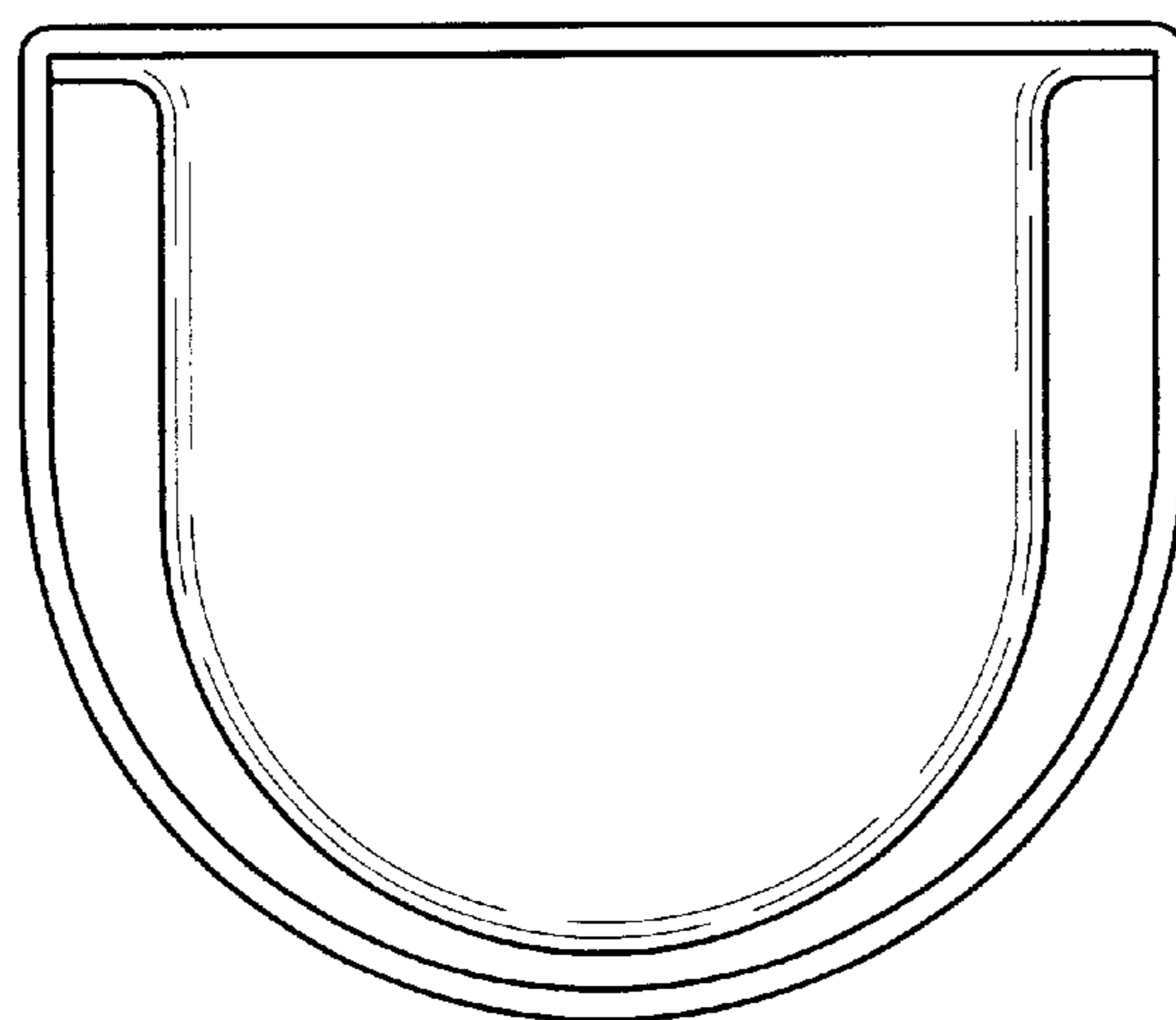


FIG. 4

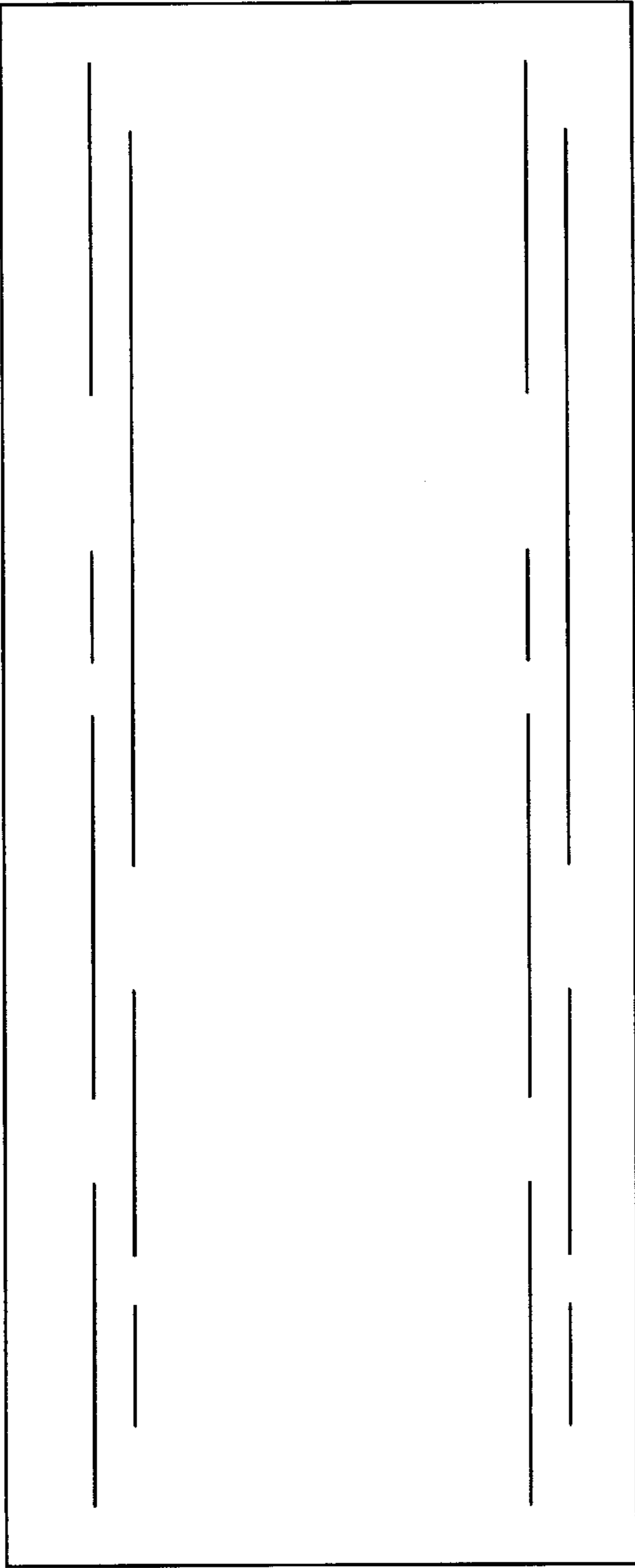


FIG. 5

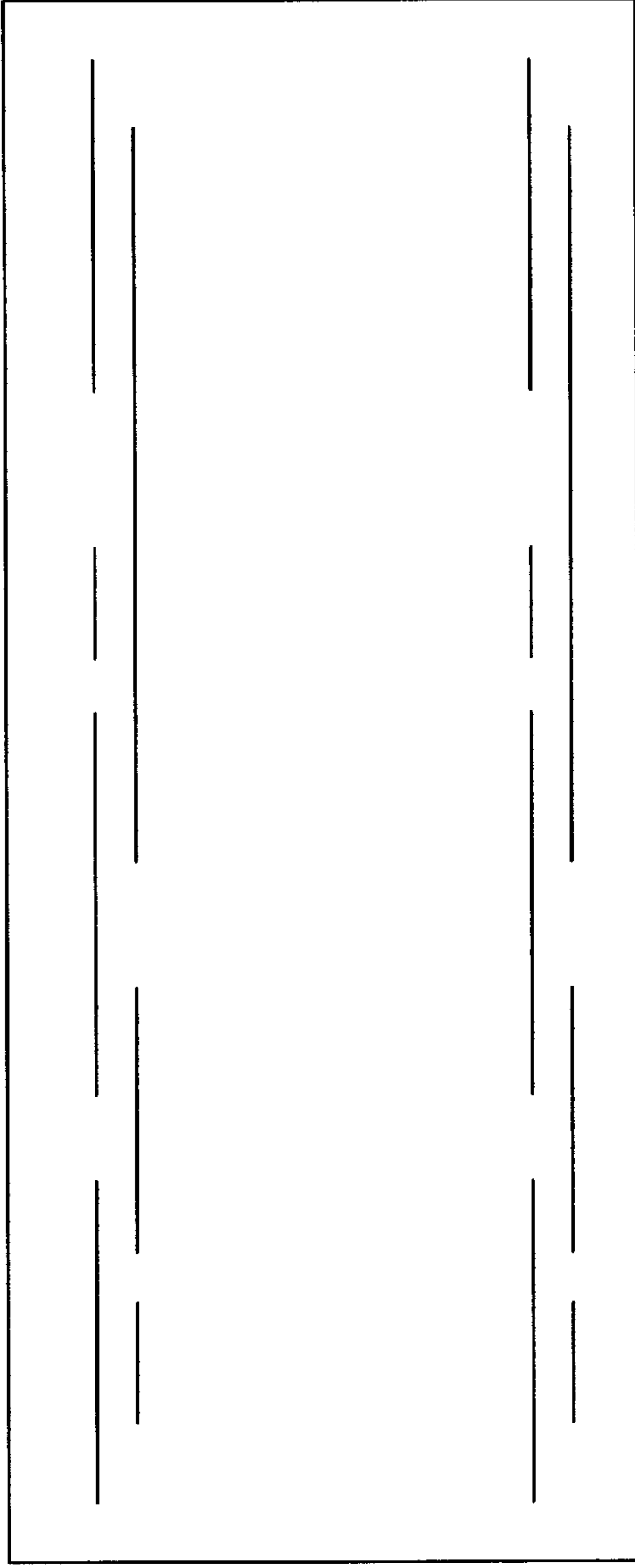


FIG. 6

FIG. 7

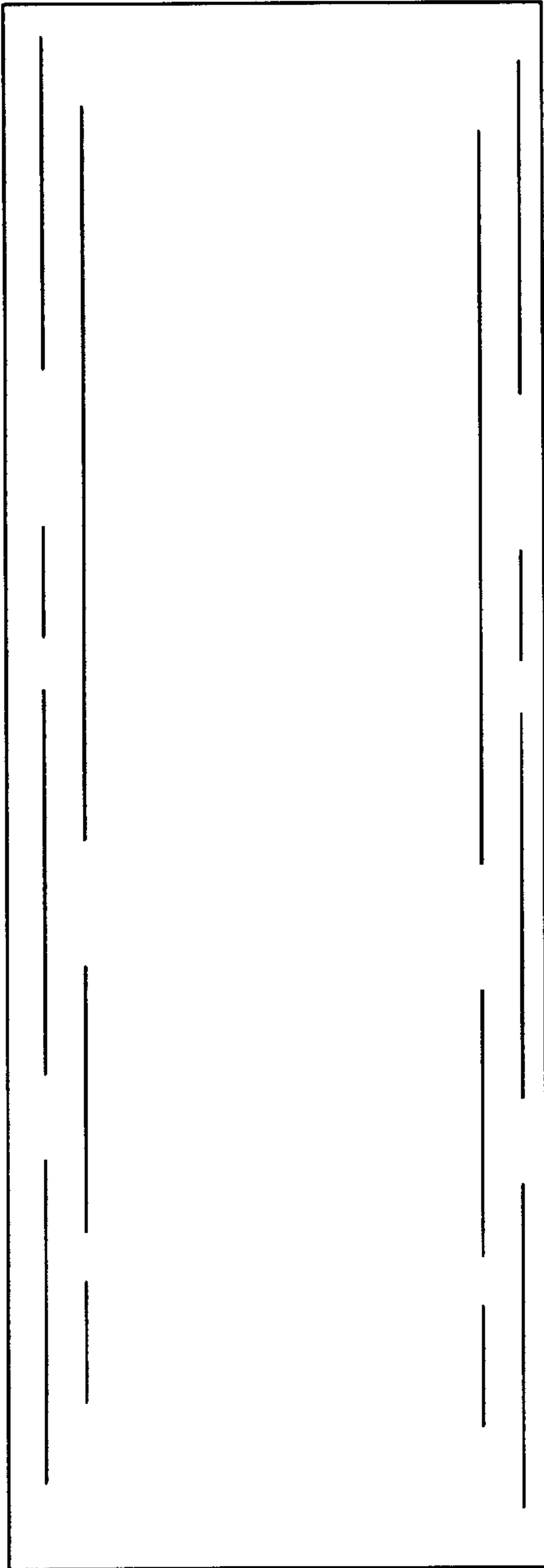
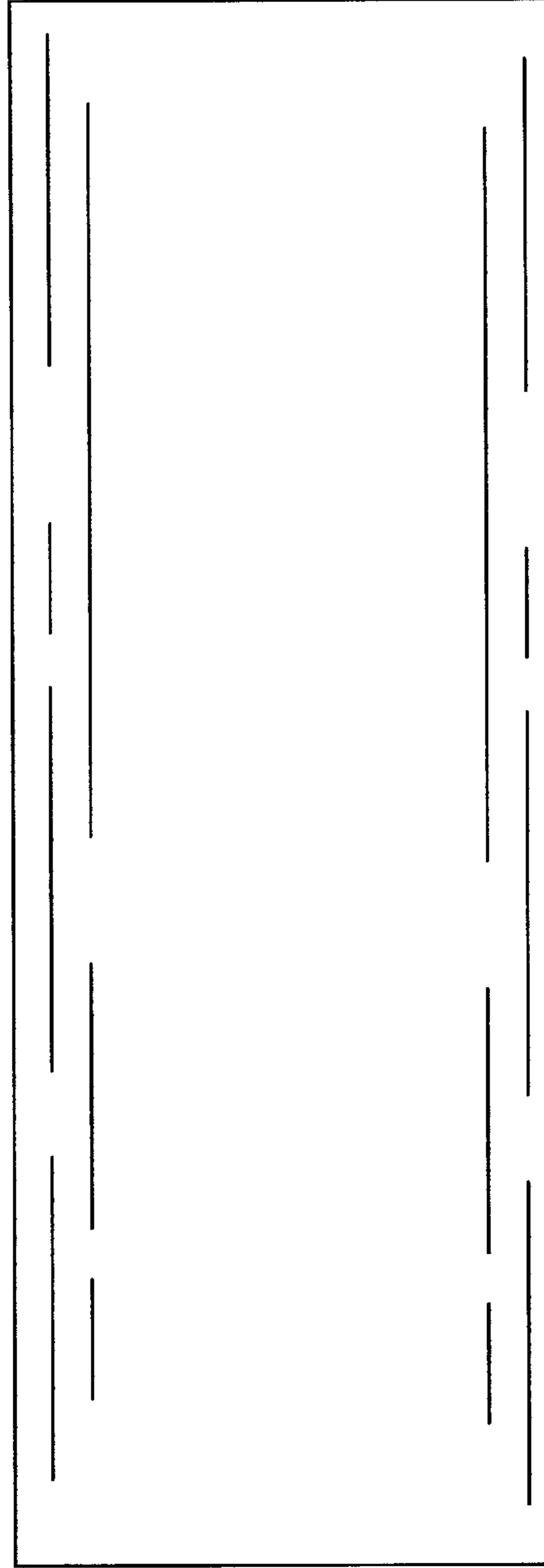


FIG. 8



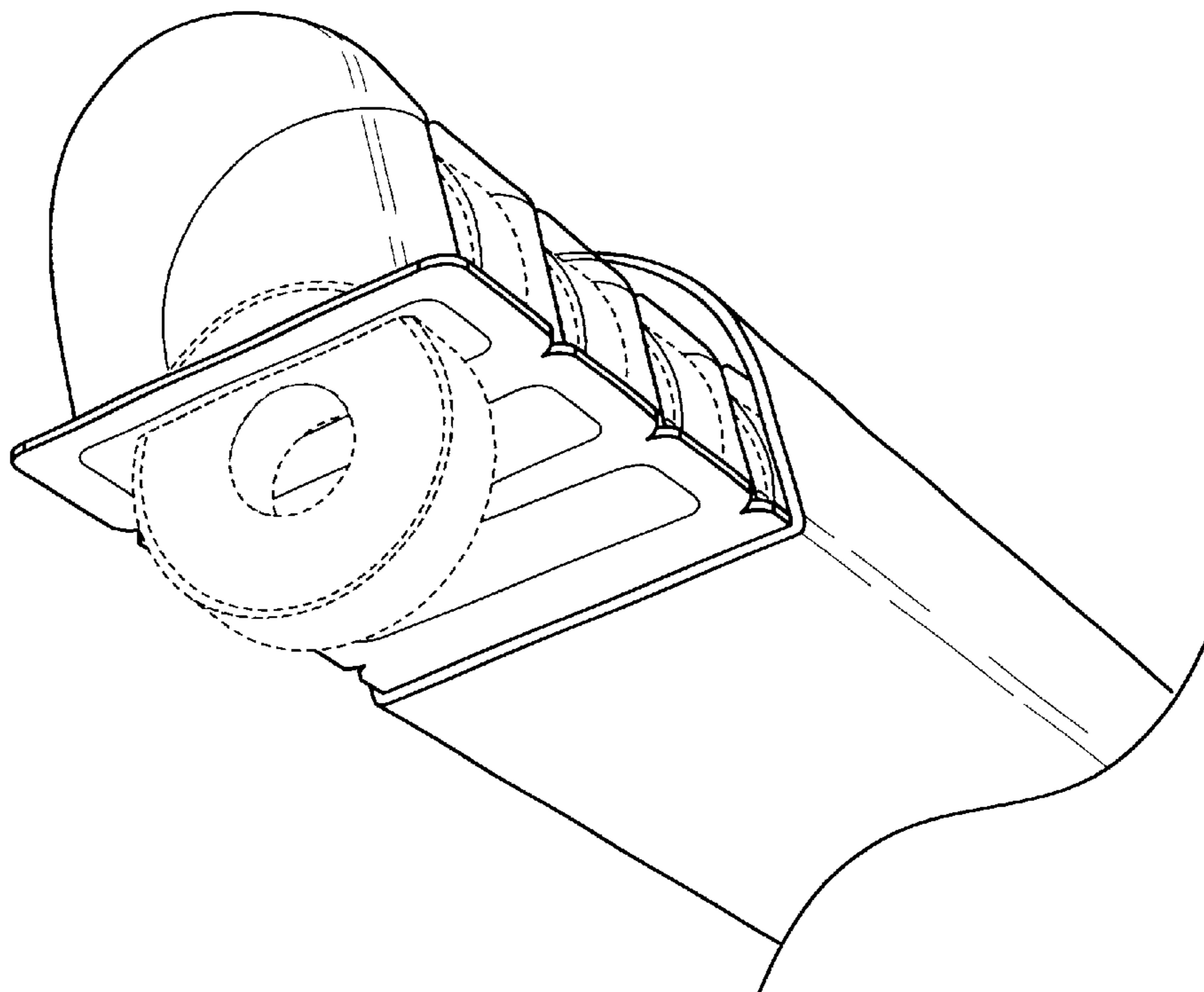


FIG. 9

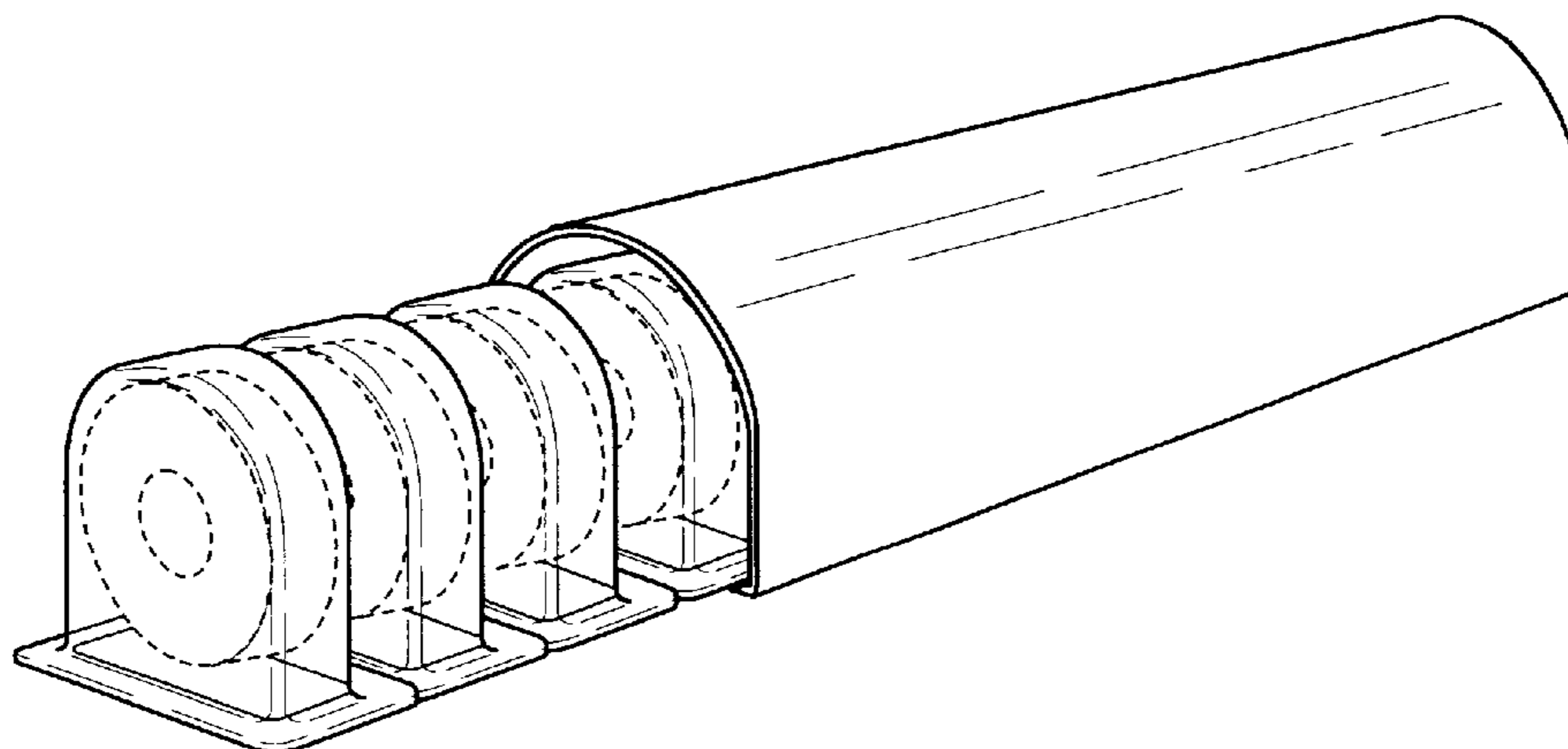


FIG. 10