

US00D529813S

(12) **United States Design Patent**
Modjeski

(10) **Patent No.:** **US D529,813 S**
(45) **Date of Patent:** **** Oct. 10, 2006**

(54) **BOTTLE**
(75) Inventor: **Lara Modjeski**, Warren, NJ (US)
(73) Assignee: **PRL USA Holdings, Inc.**, Wilmington, DE (US)
(**) Term: **14 Years**

D477,999 S * 8/2003 Lloyd D9/414
D481,957 S 11/2003 Modjeski
D484,791 S * 1/2004 Sgariboldi D9/694
D511,688 S * 11/2005 Baron D9/560
D515,194 S * 2/2006 Chen D23/366

FOREIGN PATENT DOCUMENTS

WO DM/053156 * 7/2000

* cited by examiner

Primary Examiner—Ian Simmons
Assistant Examiner—Dana Sipos
(74) *Attorney, Agent, or Firm*—Baker Botts L.L.P.

(21) Appl. No.: **29/215,162**
(22) Filed: **Oct. 14, 2004**
(51) **LOC (8) Cl.** **09-01**
(52) **U.S. Cl.** **D9/546; D9/566; D9/573; D9/574**
(58) **Field of Classification Search** D9/439, D9/516, 542, 544, 560, 566, 572–575, 686–687, D9/689, 694, 900; D28/91.1; D19/93; 215/355, 215/382–383; 220/660, 662, 669
See application file for complete search history.

(57) **CLAIM**

The ornamental design for a bottle, as shown and described.

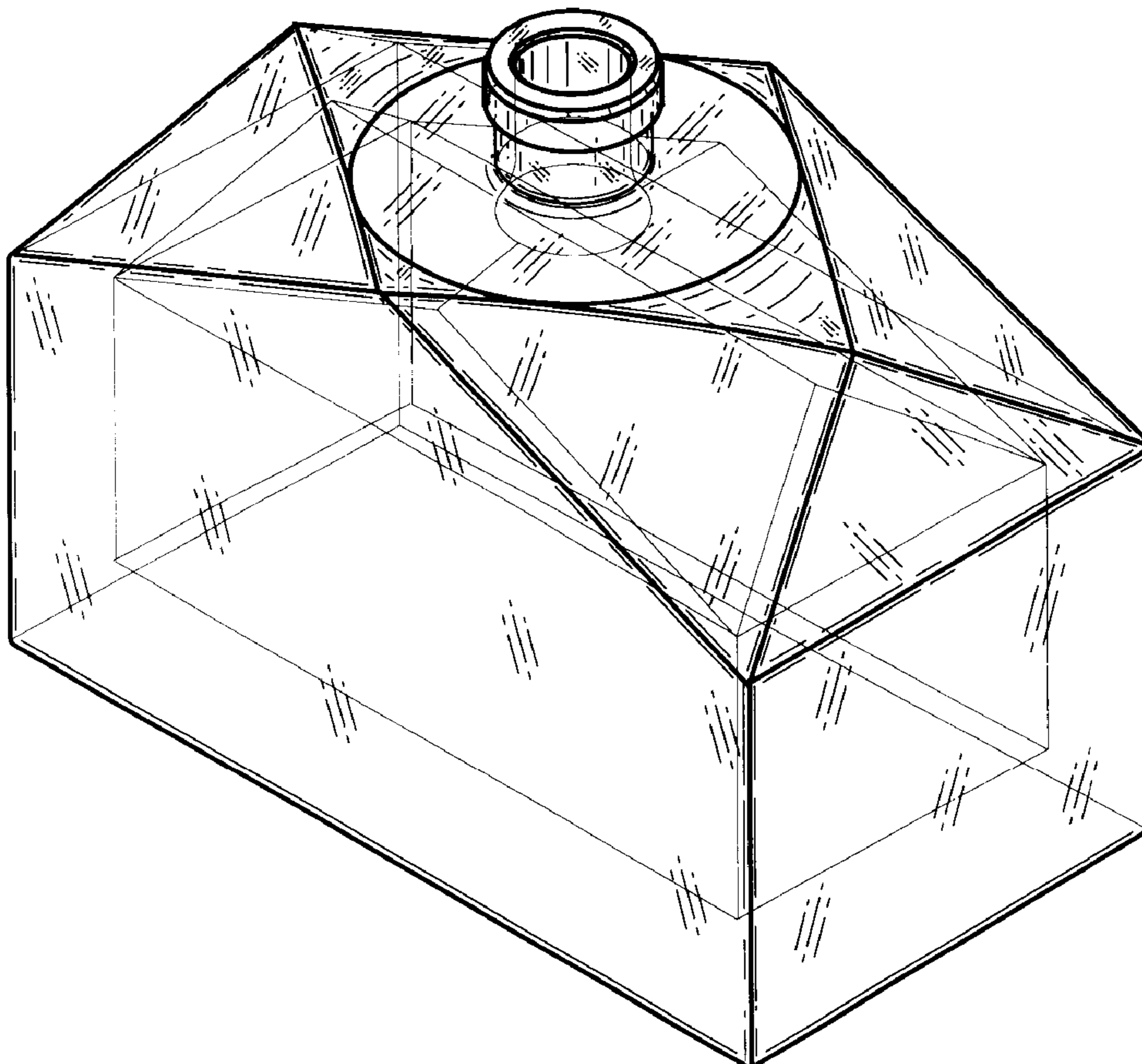
DESCRIPTION

FIG. 1 is a three-dimensional perspective view of the bottle; FIG. 2 is a front view of the bottle; FIG. 3 is a top view of the bottle; FIG. 4 is a side view of the bottle; and, FIG. 5 is a bottom view of the bottle.

(56) **References Cited**
U.S. PATENT DOCUMENTS

D459,660 S 7/2002 Burger
D471,467 S * 3/2003 Kokubo et al. D9/566

1 Claim, 3 Drawing Sheets



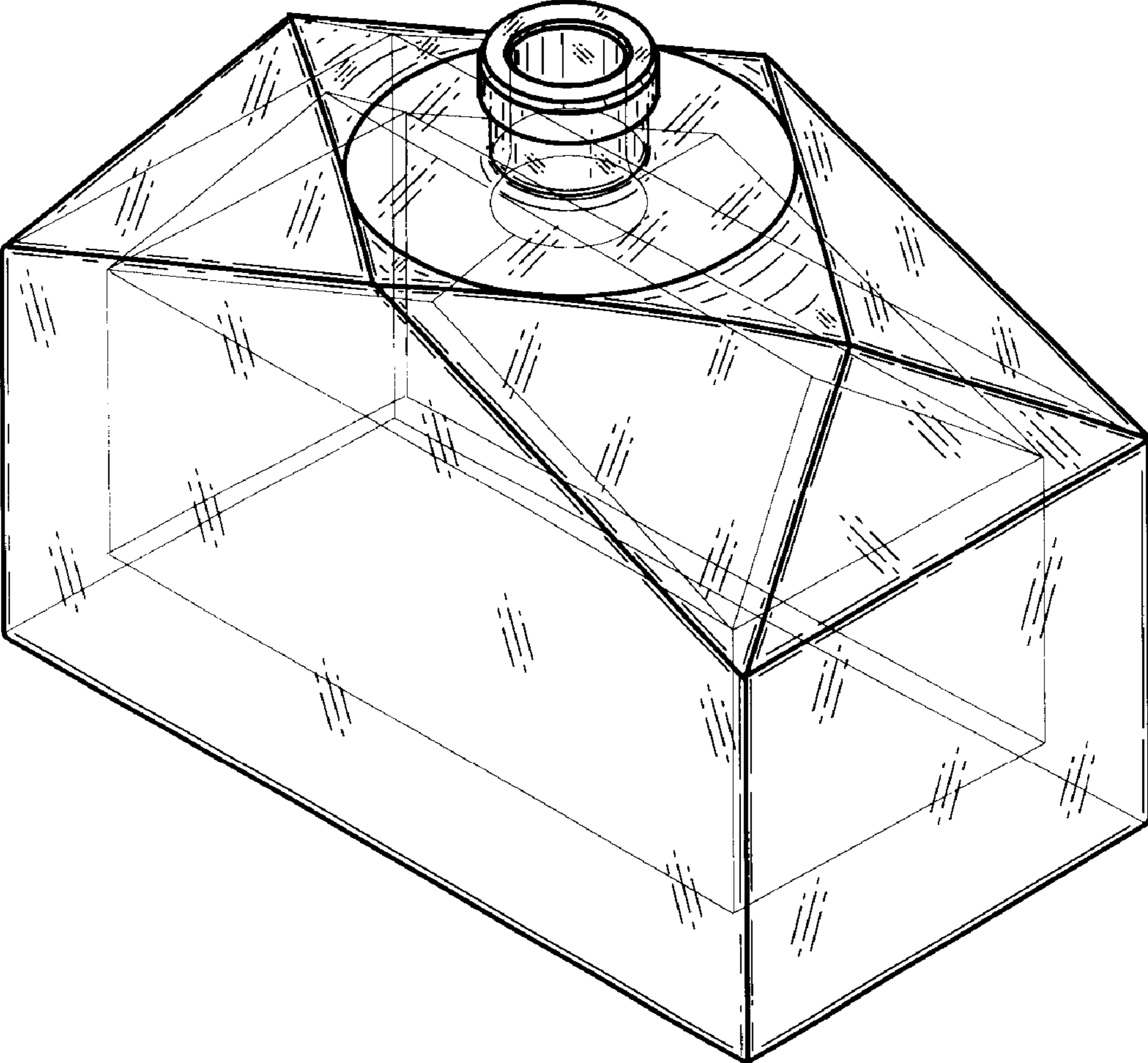


FIG. 1

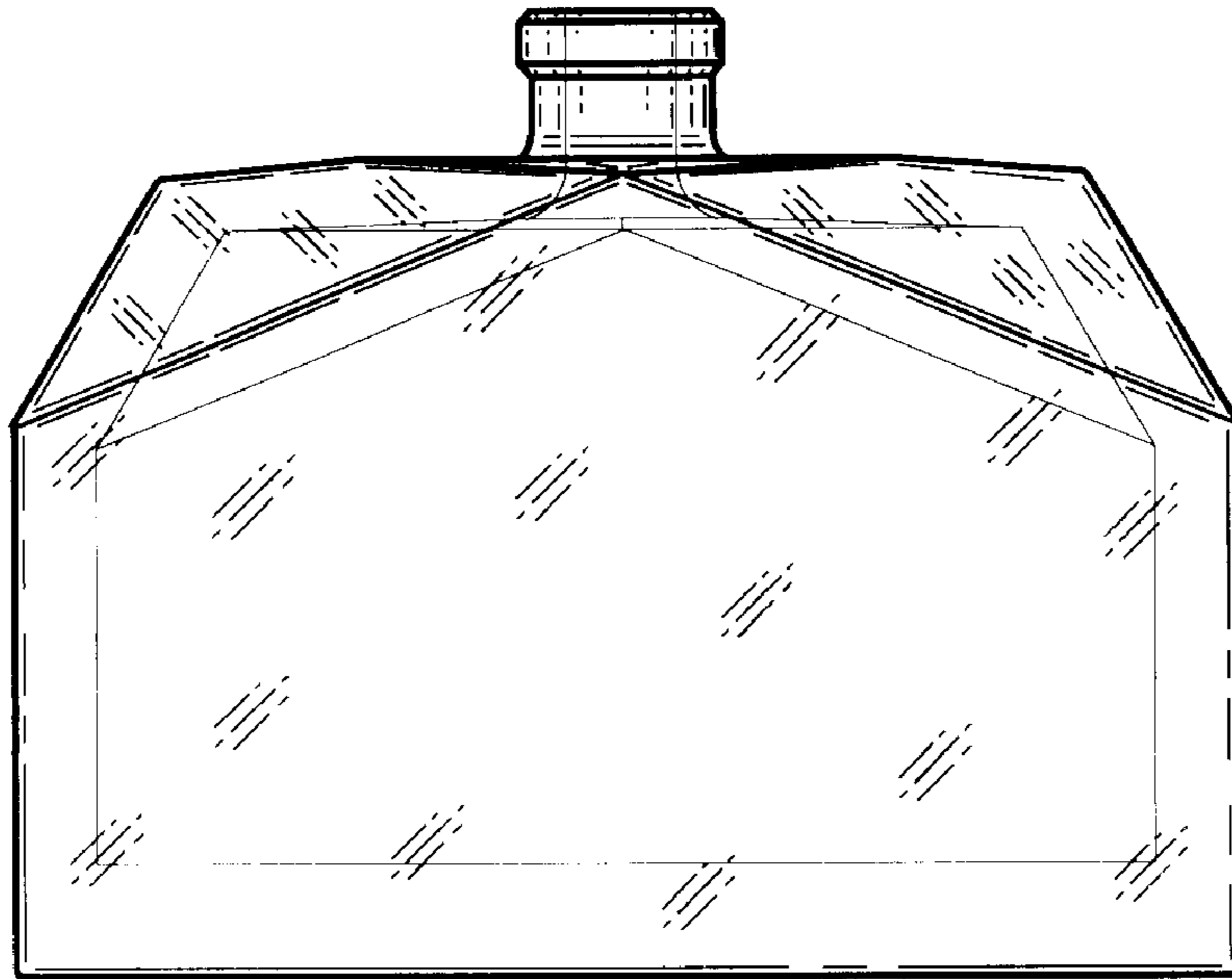


FIG. 2

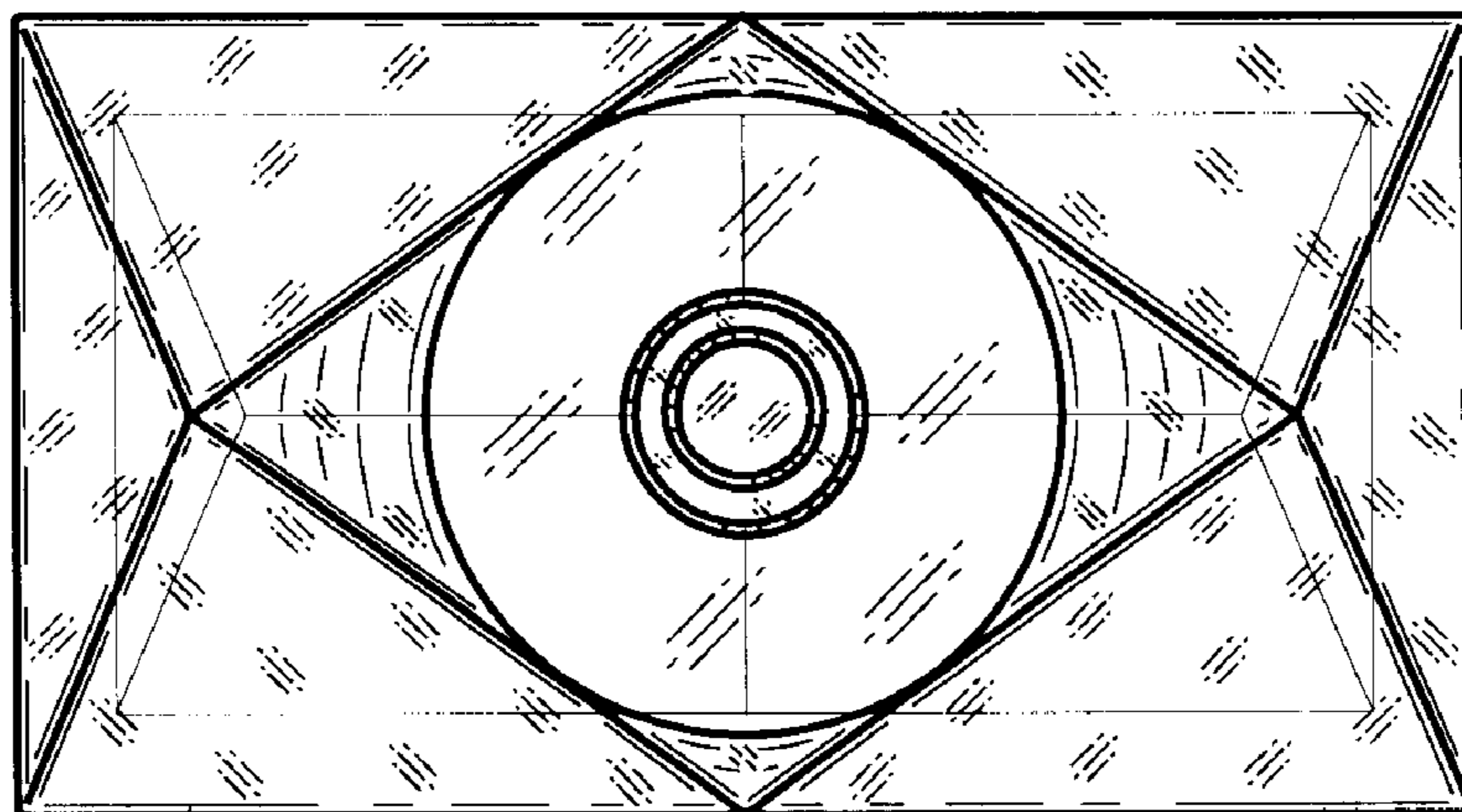


FIG. 3

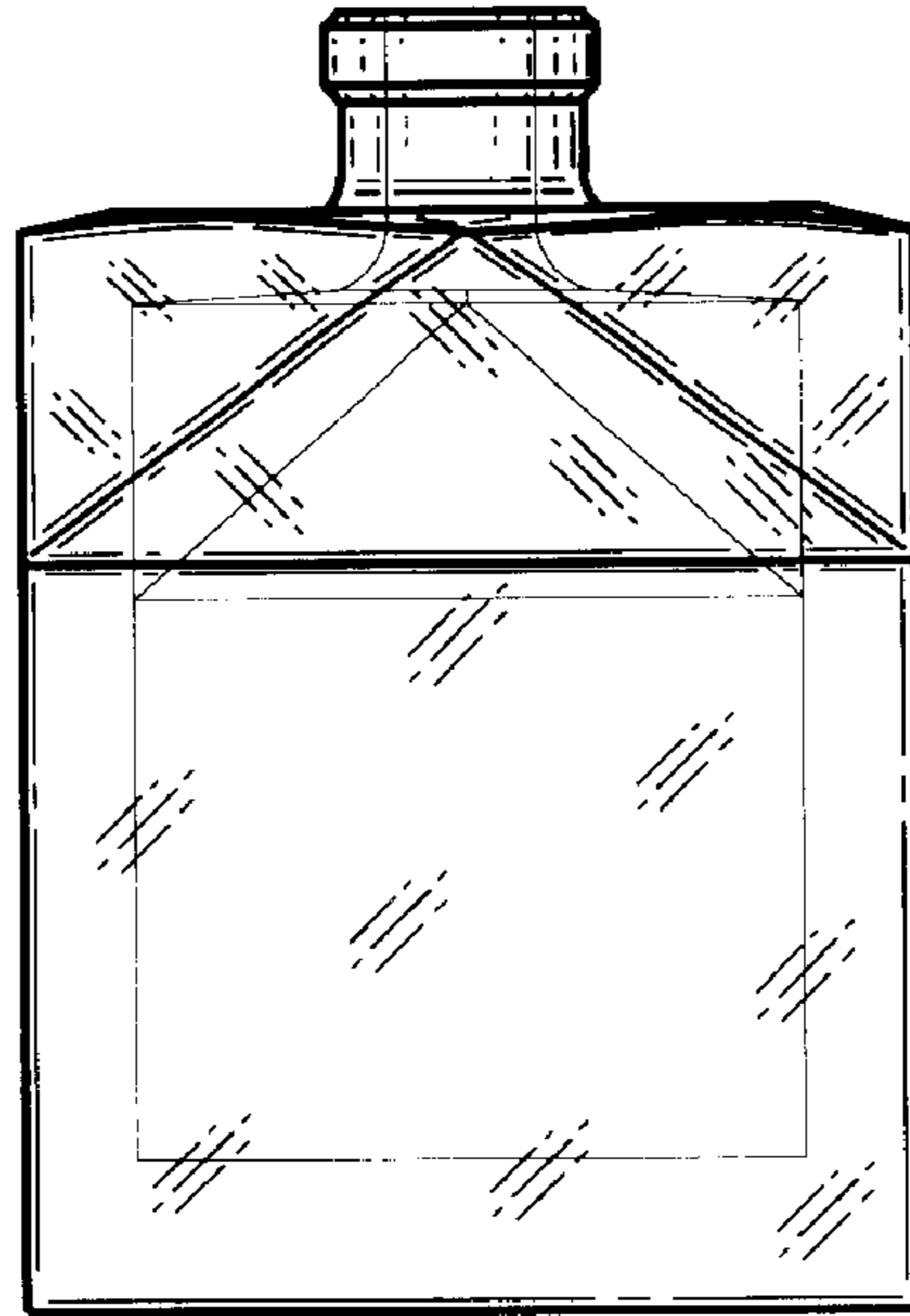


FIG. 4

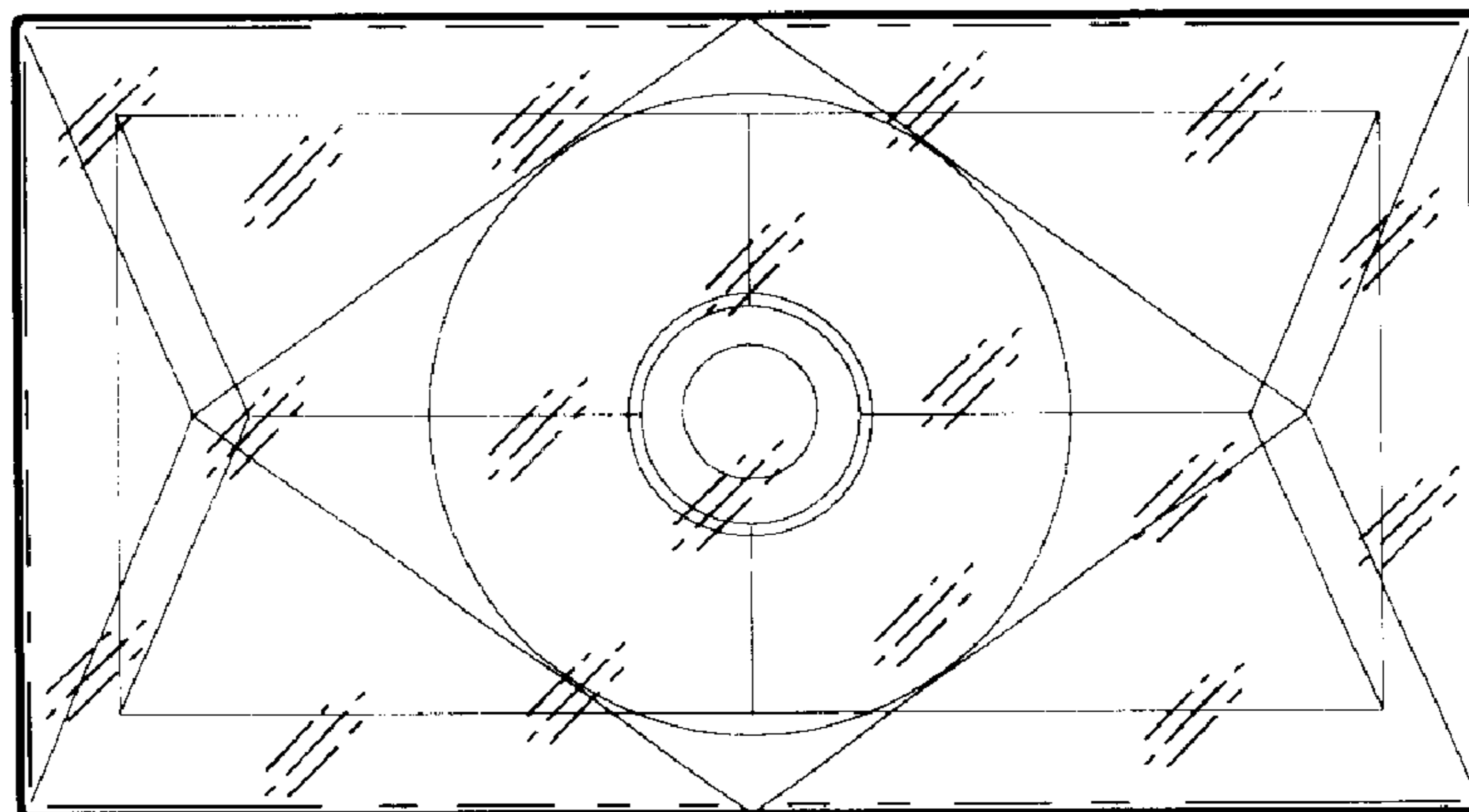


FIG. 5