



US00D529801S

(12) **United States Design Patent**
Grote et al.

(10) **Patent No.:** **US D529,801 S**

(45) **Date of Patent:** **** Oct. 10, 2006**

(54) **PUSH-PULL DISPENSING CAP**

(75) Inventors: **Jeff Grote**, Columbus, OH (US);
Christopher W. Lussier, Milford, NH
(US)

(73) Assignee: **Elmer's Investments, LLC**, Columbus,
OH (US)

(**) **Term:** **14 Years**

(21) **Appl. No.:** **29/213,915**

(22) **Filed:** **Sep. 24, 2004**

(51) **LOC (8) Cl.** **09-07**

(52) **U.S. Cl.** **D9/449; D9/443**

(58) **Field of Classification Search** D9/453,
D9/452, 449, 447, 443, 440, 439, 435; D7/415,
D7/398, 397, 312; 401/90; 251/353; 239/337;
222/557, 556, 548, 402, 402.21, 402.13
See application file for complete search history.

(56) **References Cited**

U.S. PATENT DOCUMENTS

1,327,190	A	*	1/1920	Bigoney	222/541.6
3,124,280	A	*	3/1964	Stull	222/541.5
3,157,323	A		11/1964	Kitterman		
3,266,680	A		8/1966	Newman		
3,285,479	A		11/1966	Porter et al.		
3,759,429	A		9/1973	Ardito et al.		
D236,434	S	*	8/1975	Shine	D9/443

5,044,530	A		9/1991	Stull		
5,328,058	A	*	7/1994	Leoncavallo et al.	222/556
D349,856	S	*	8/1994	Linner	D9/443
5,353,970	A		10/1994	Stull et al.		
D390,785	S		2/1998	Saunders et al.		
D419,070	S		1/2000	Schuermann		
D435,793	S	*	1/2001	Kreiseder	D9/449
6,170,720	B1	*	1/2001	Gnepper et al.	222/481.5
D470,052	S		2/2003	Klutts		

* cited by examiner

Primary Examiner—Robert M. Spear

Assistant Examiner—Susan Bennett Hattan

(74) *Attorney, Agent, or Firm*—McNees Wallace & Nurick
LLC

(57) **CLAIM**

The ornamental design for a push-pull dispensing cap,
substantially as shown and described.

DESCRIPTION

FIG. 1 is an isometric view of a push-pull dispensing cap
showing the new design;

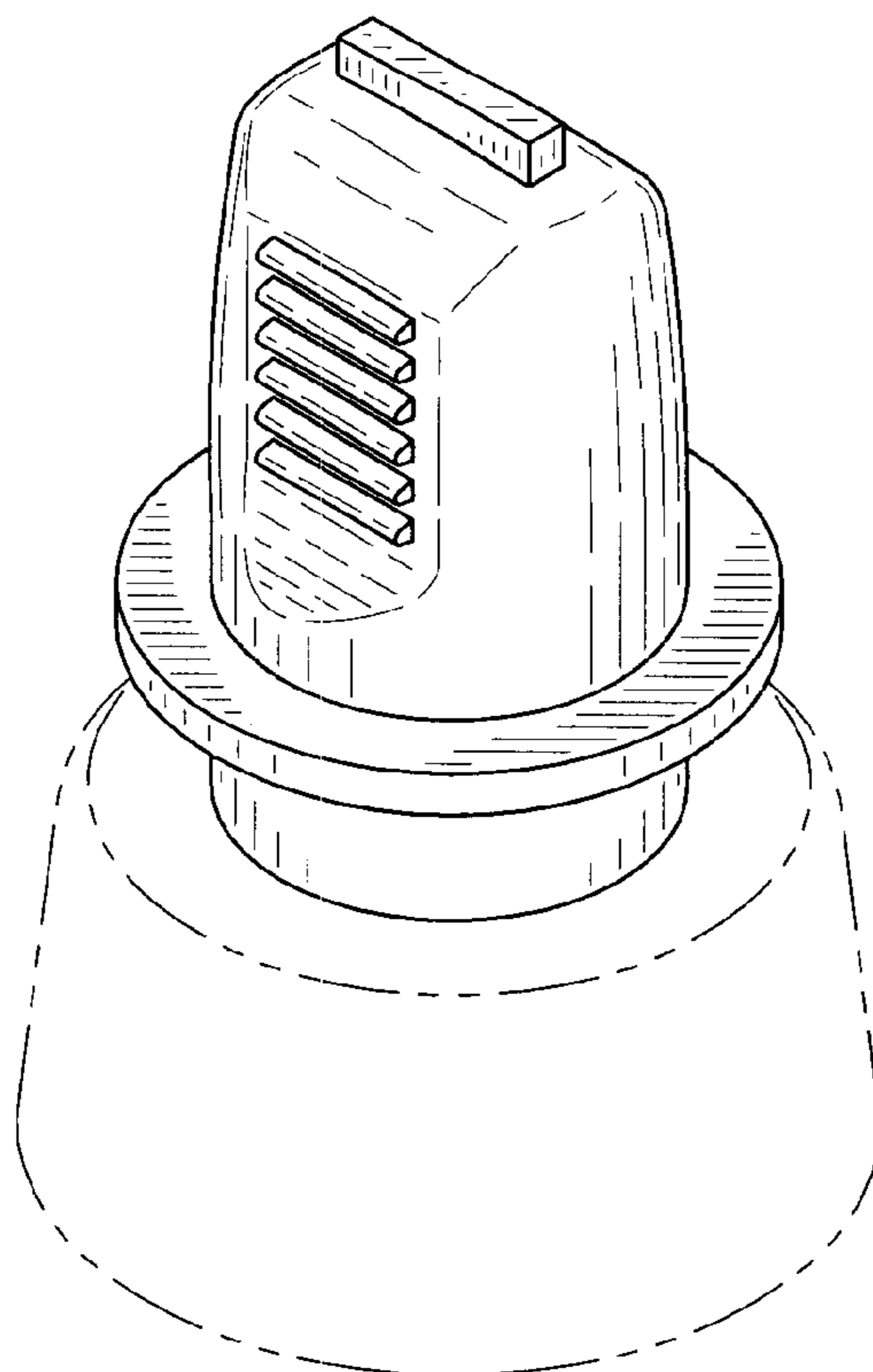
FIG. 2 is front elevational view thereof, the rear being a
mirror image;

FIG. 3 is left side elevational view thereof, the right side
being a mirror image; and,

FIG. 4 is a top plan view thereof.

The broken lines shown in the drawings are for illustrative
purposes only and form no part of the claimed design.

1 Claim, 1 Drawing Sheet



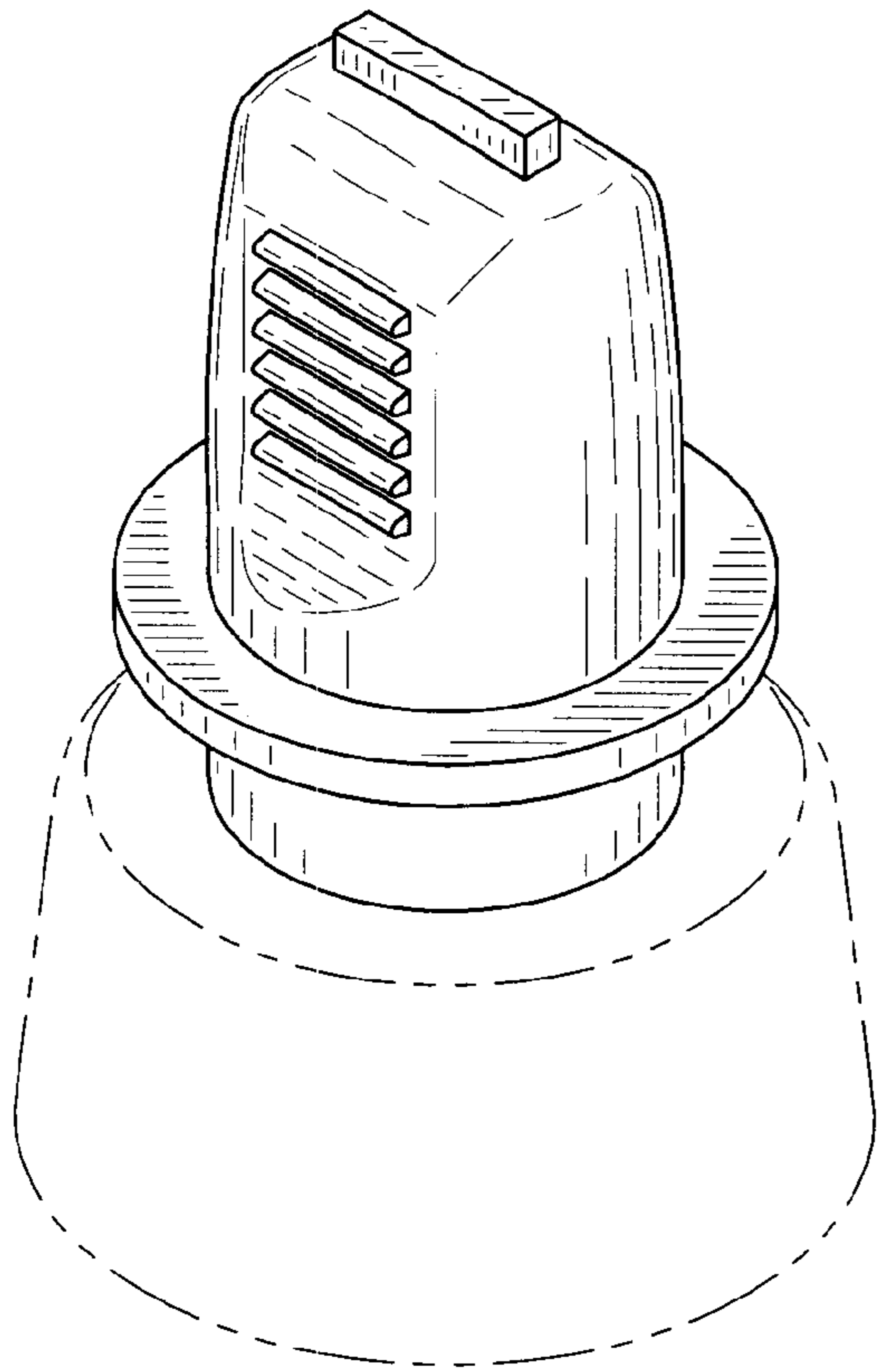


FIG-1

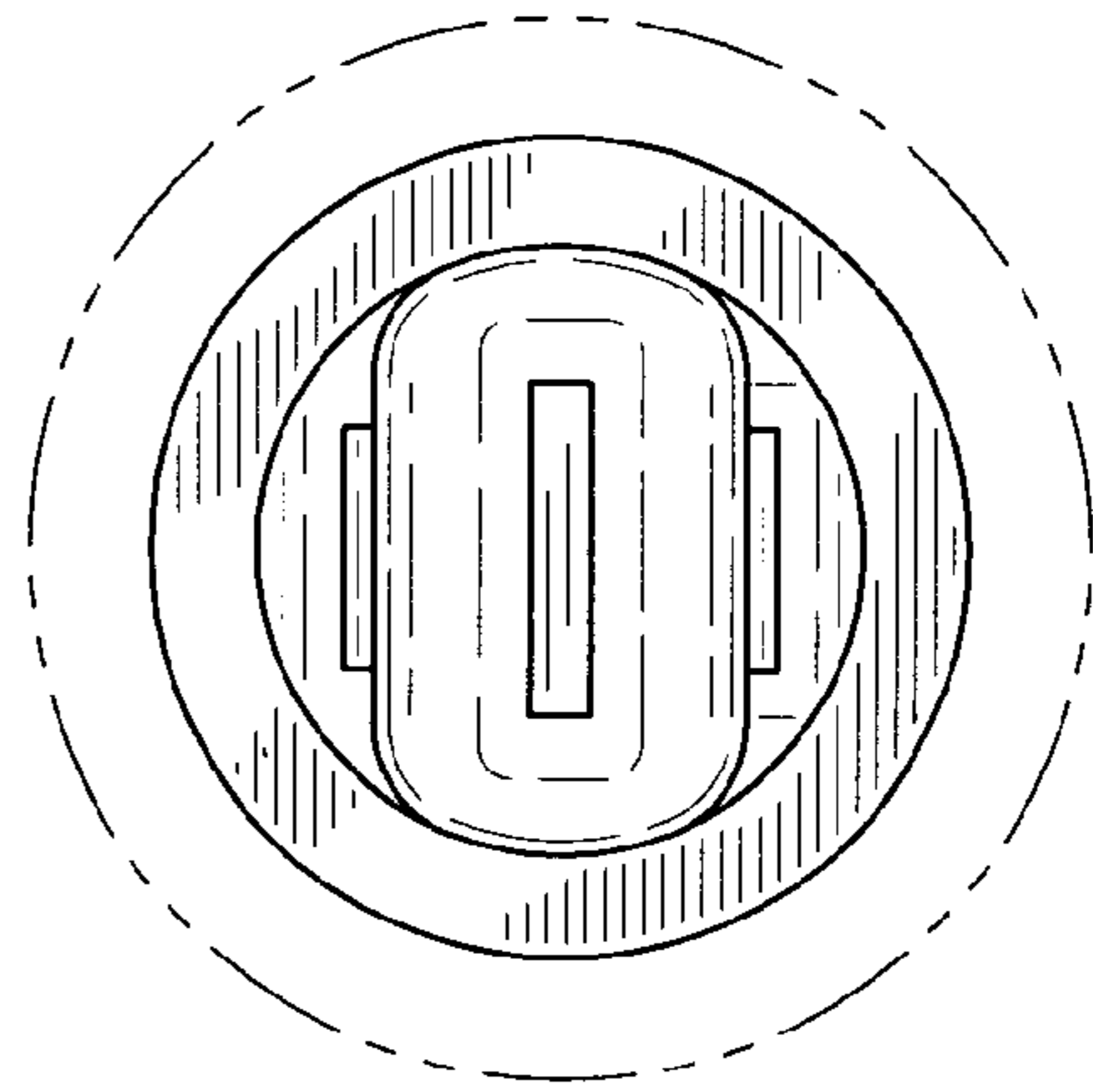


FIG-4

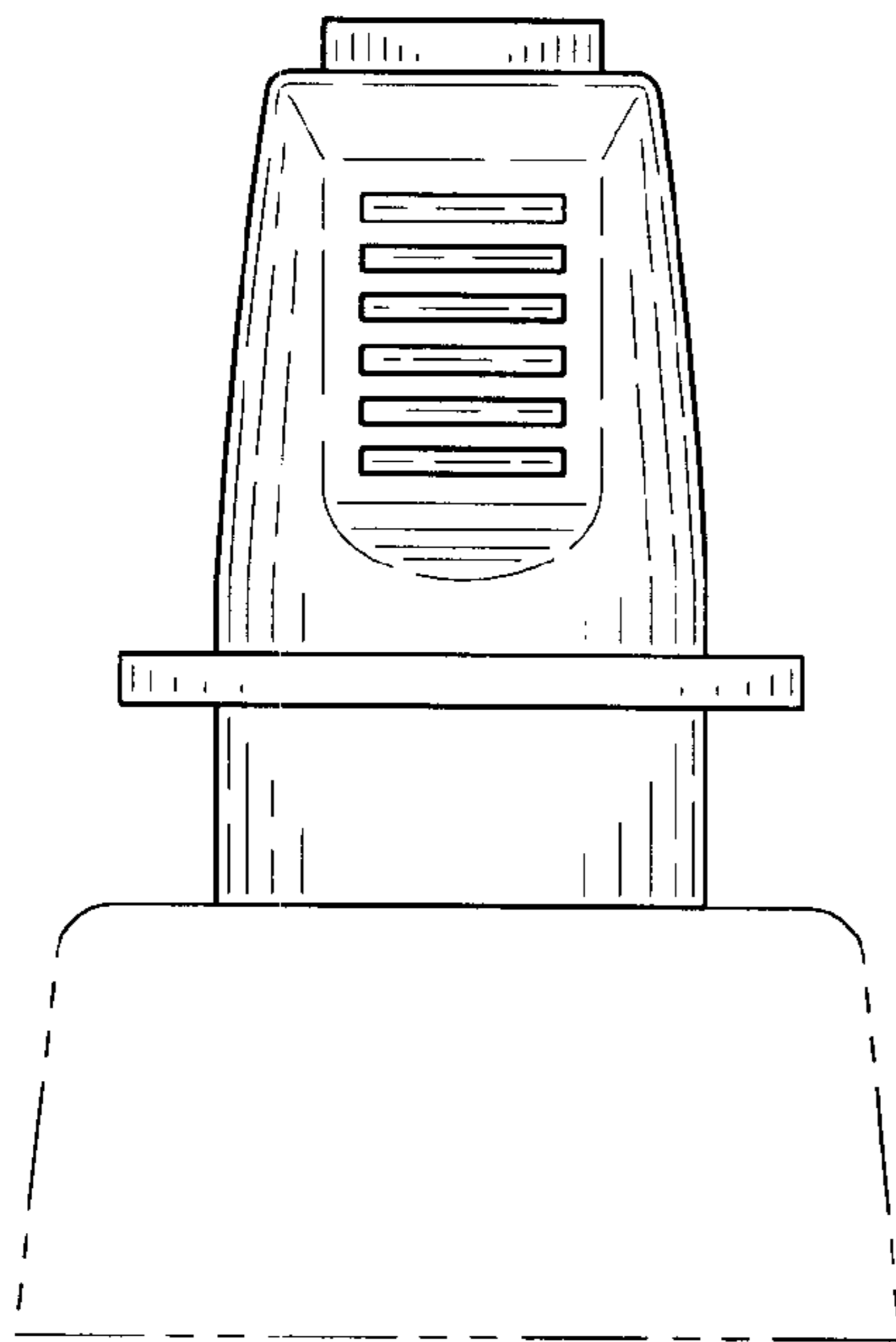


FIG-2

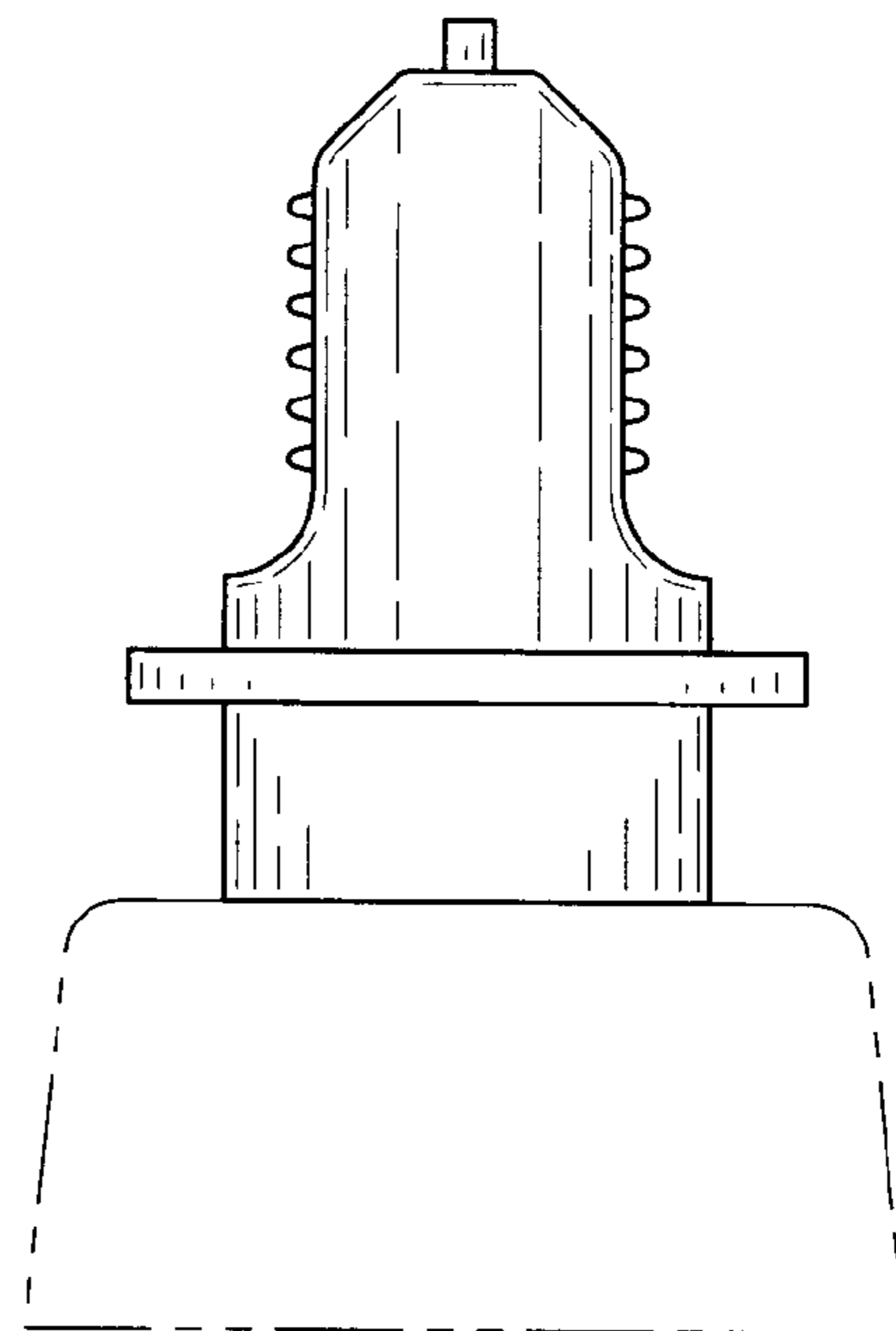


FIG-3