

US00D529796S

(12) **United States Design Patent**
Sholeen

(10) **Patent No.:** **US D529,796 S**
(45) **Date of Patent:** **** Oct. 10, 2006**

(54) **FOOD CONTAINER**

(75) Inventor: **Derek H. Sholeen**, Dallas, TX (US)

(73) Assignee: **Arlington Services, Inc.**, Wilmington, DE (US)

(**) Term: **14 Years**

(21) Appl. No.: **29/233,568**

(22) Filed: **Jul. 6, 2005**

(51) **LOC (8) Cl.** **09-03**

(52) **U.S. Cl.** **D9/418**

(58) **Field of Classification Search** D9/418,
D9/414, 419, 420, 422, 423, 432; 206/776,
206/777; 229/122.27

See application file for complete search history.

(56) **References Cited**

U.S. PATENT DOCUMENTS

3,658,237	A	*	4/1972	Engel	229/117.04
D265,886	S	*	8/1982	Caputo	D9/652
4,467,920	A	*	8/1984	Smith	206/457
5,246,161	A	*	9/1993	Kapp	229/103
D366,672	S	*	1/1996	Kitzmler	D19/53
D417,147	S	*	11/1999	Yoon	D9/643

* cited by examiner

Primary Examiner—Stella Reid

Assistant Examiner—Derrick Holland

(74) *Attorney, Agent, or Firm*—Gardere Wynne Sewell, LLP

(57) **CLAIM**

The ornamental design for a food container, as shown and described.

DESCRIPTION

FIG. 1 is a perspective view of a food container in accordance with my invention;

FIG. 2 is a front elevation view of the food container shown in FIG. 1;

FIG. 3 is a rear elevation view of the food container shown in FIG. 1;

FIG. 4 is a left side elevation view of the food container shown in FIG. 1;

FIG. 5 is a right side elevation view of the food container shown in FIG. 1;

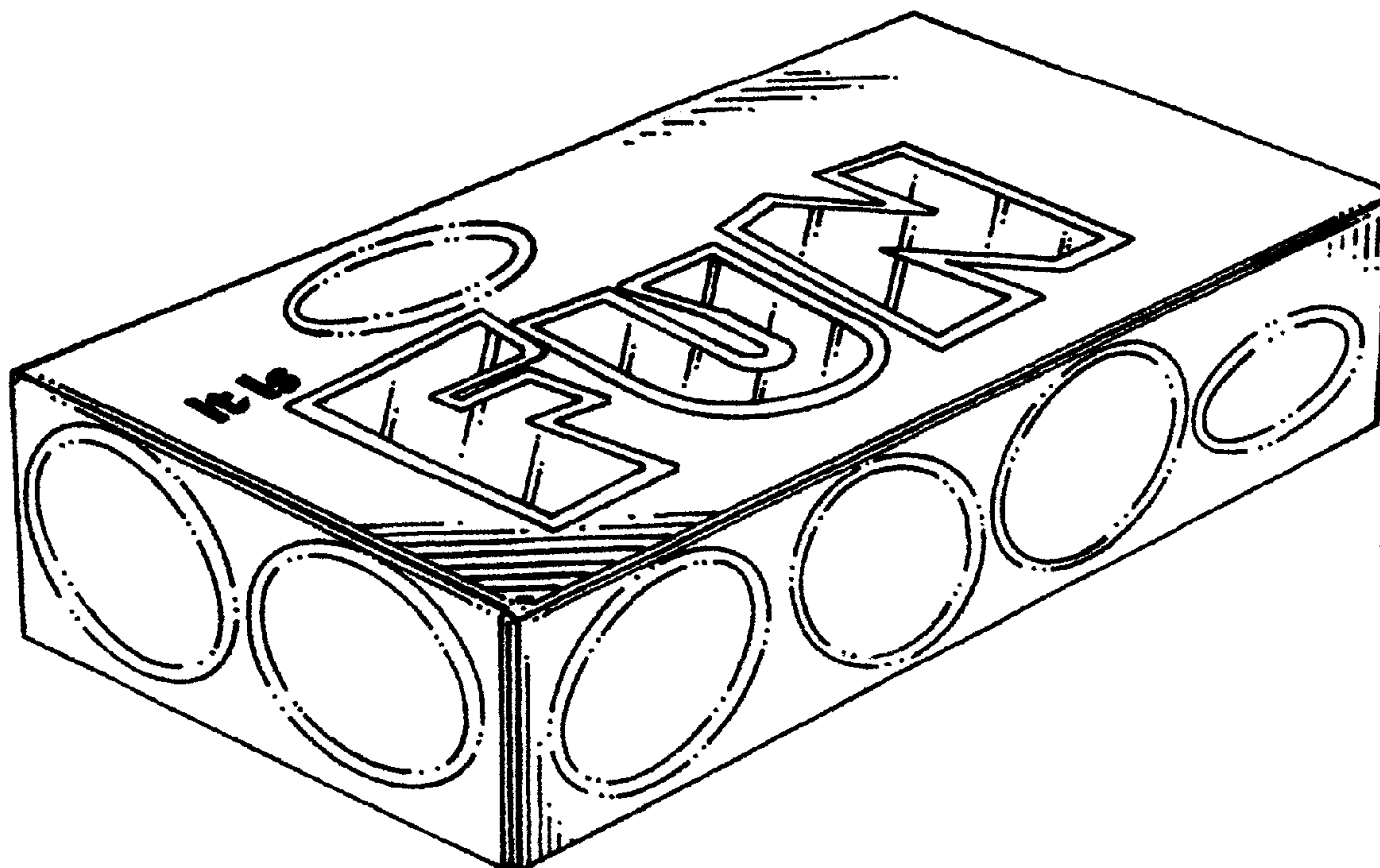
FIG. 6 is a top plan view of the food container shown in FIG. 1;

FIG. 7 is a bottom plan view of the food container shown in FIG. 1; and,

FIG. 8 is a perspective view of the food container shown in FIG. 1 in an open position.

The broken lines in the drawing figures are for illustrative purposes only and form no part of the claimed design.

1 Claim, 3 Drawing Sheets



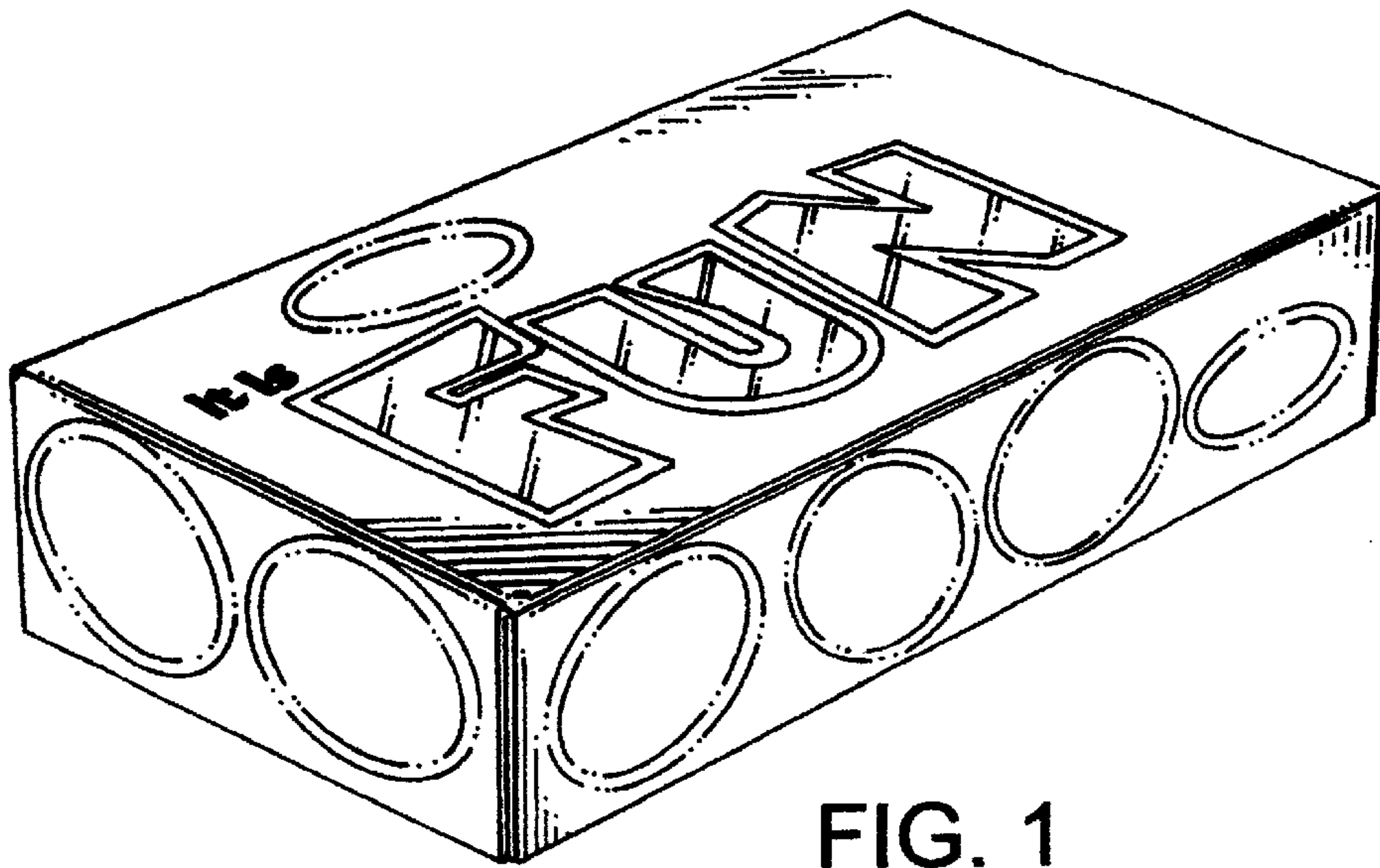


FIG. 1

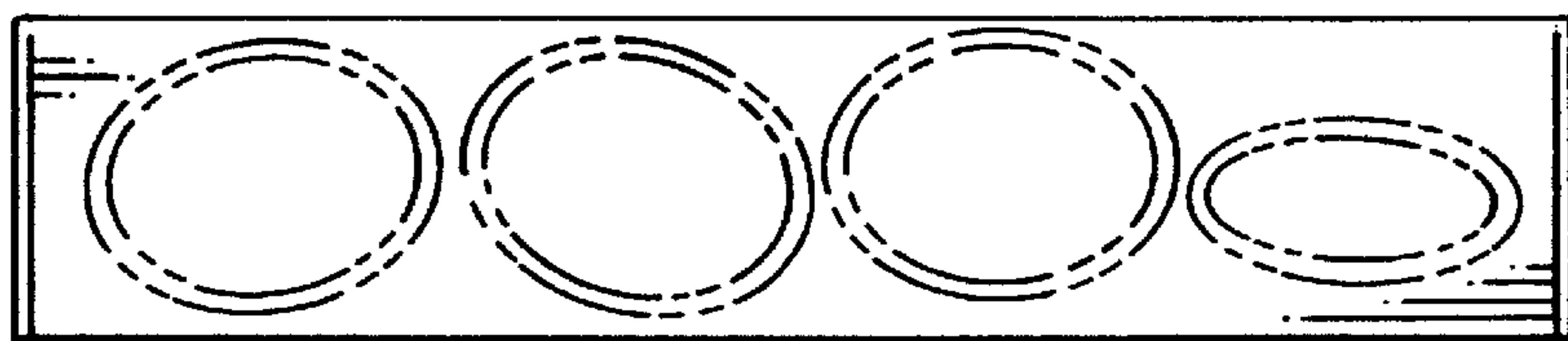


FIG. 2

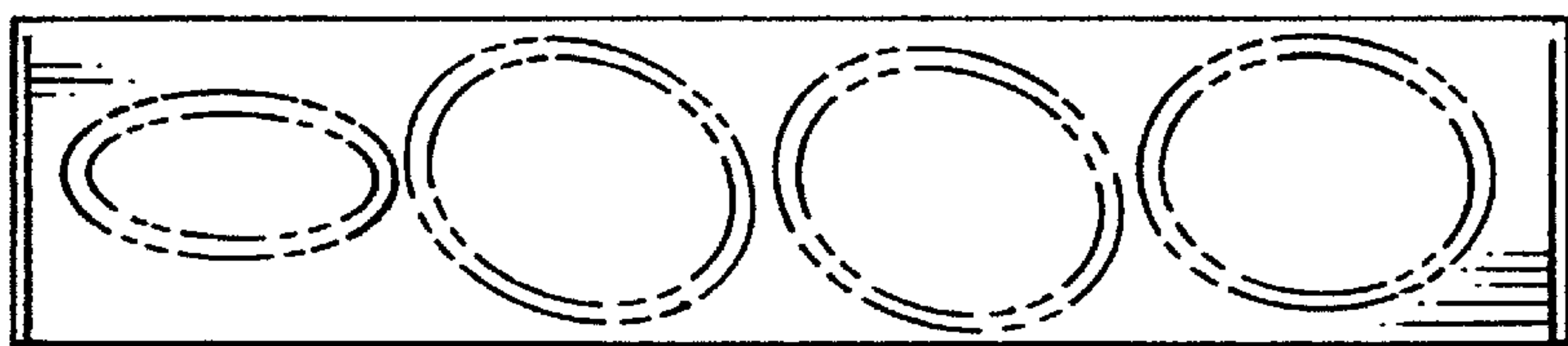


FIG. 3

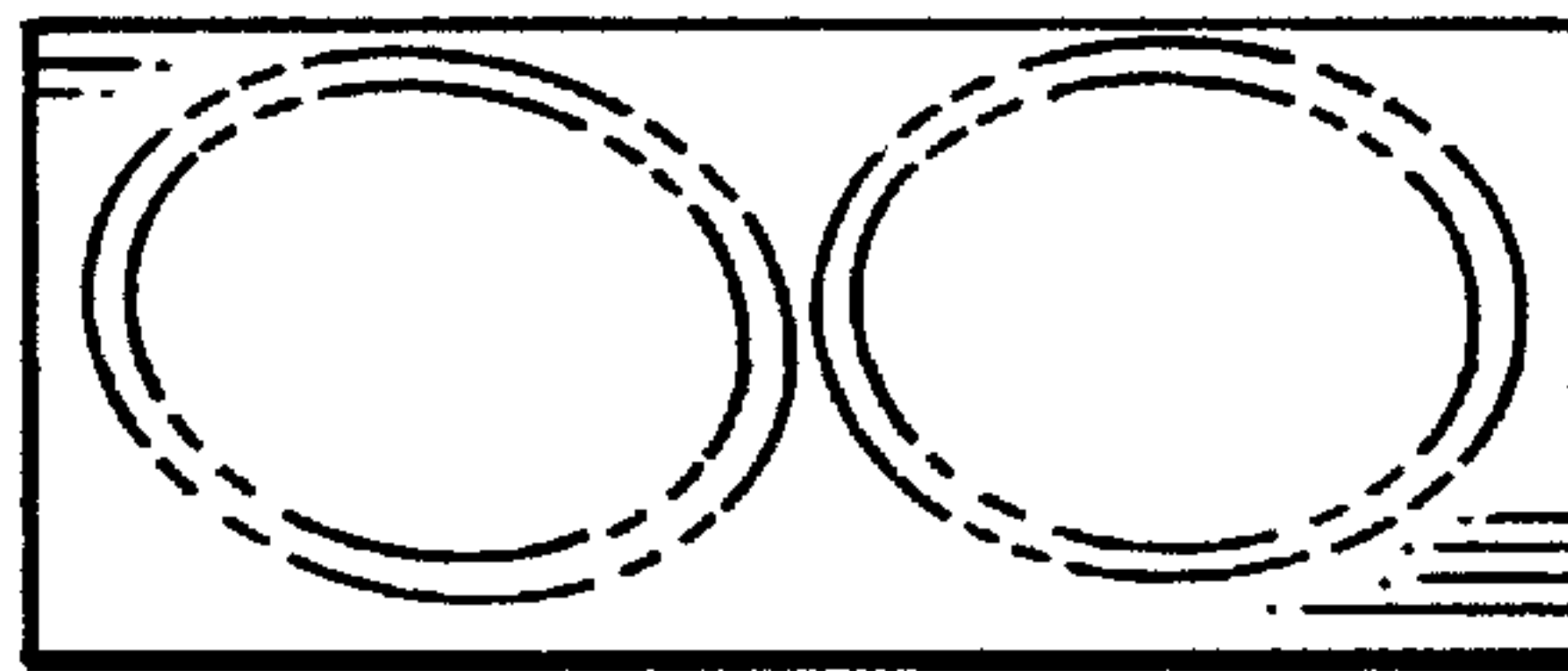


FIG. 4

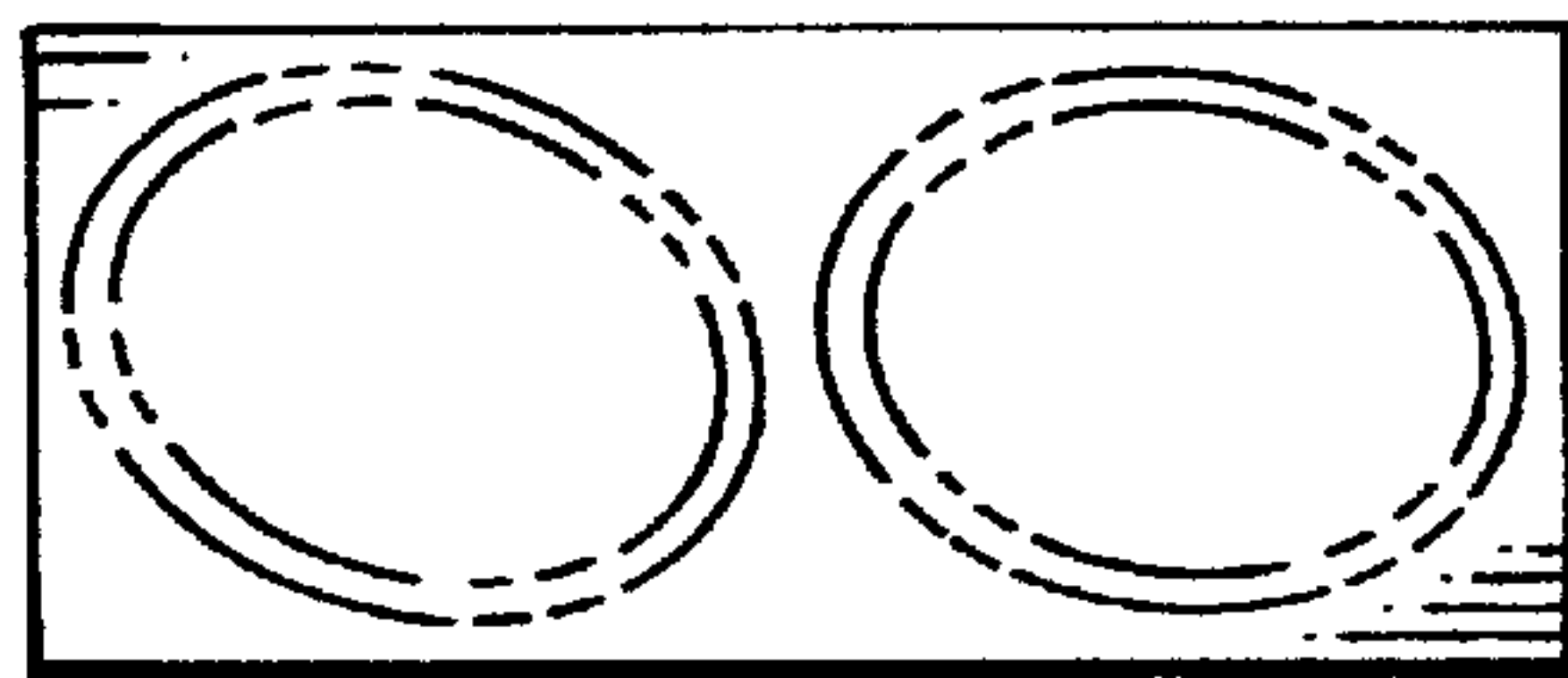


FIG. 5



FIG. 6

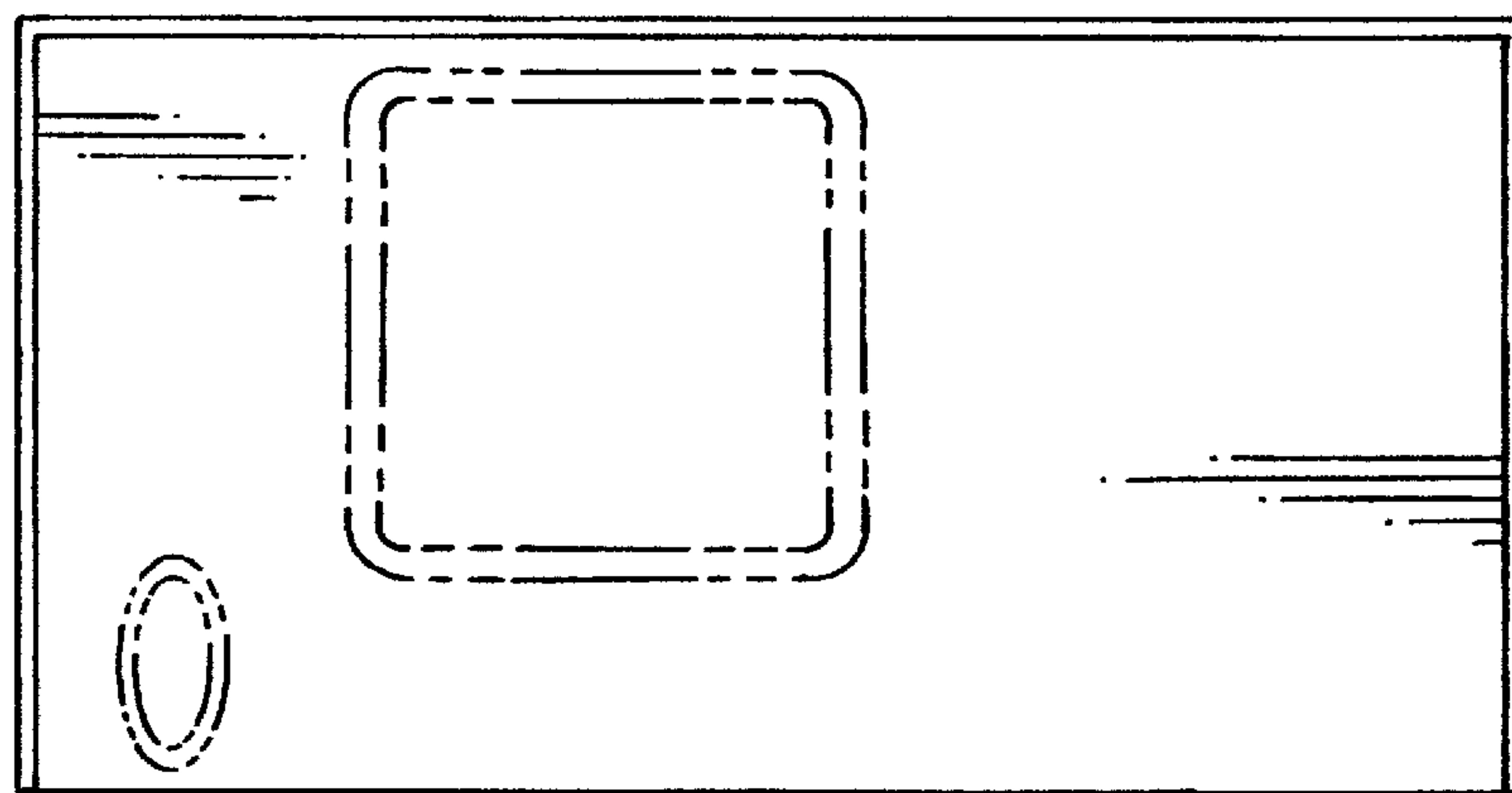


FIG. 7

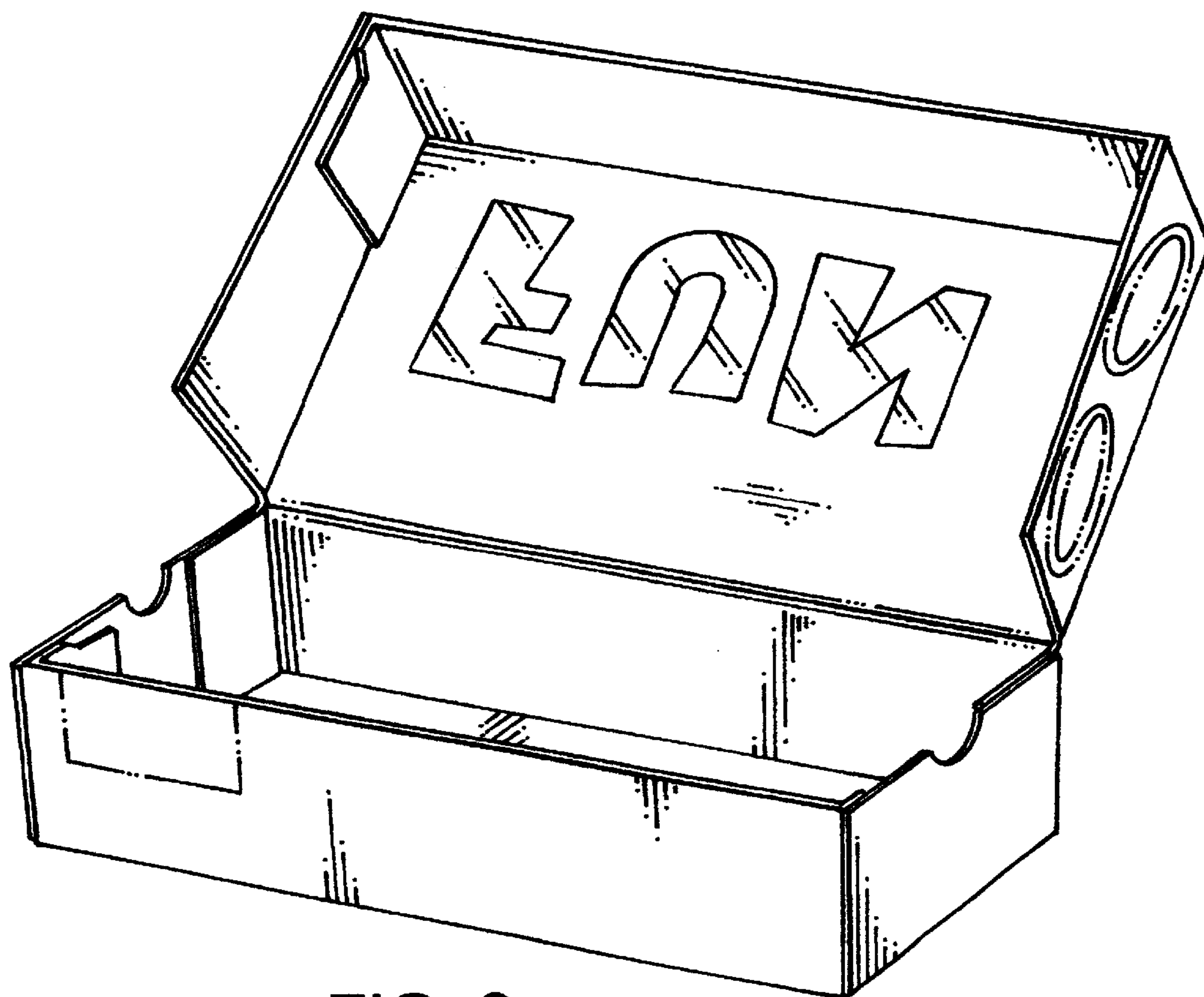


FIG. 8