

US00D529794S

(12) **United States Design Patent** (10) **Patent No.:** **US D529,794 S**  
**Murray** (45) **Date of Patent:** **\*\* Oct. 10, 2006**

(54) **RE-BAR CLAMP**  
(75) Inventor: **Brent W. Murray**, Longmont, CO (US)  
(73) Assignee: **Jack M. Minor**, Lafayette, CO (US)  
(\*\*) Term: **14 Years**

6,684,594 B1 2/2004 Sorkin  
6,684,595 B1 2/2004 Sorkin  
2003/0000170 A1 1/2003 Sorkin  
2003/0197108 A1 10/2003 Domizio  
2004/0031228 A1 2/2004 Hardy, Jr. et al.  
2004/0040247 A1 3/2004 Morse

FOREIGN PATENT DOCUMENTS

DE 823 648 12/1951  
FR 2.151.236 4/1973  
GB 1142886 2/1969  
GB 1250021 10/1971

(21) Appl. No.: **29/231,626**  
(22) Filed: **Jun. 8, 2005**  
(51) **LOC (8) Cl.** ..... **08-08**  
(52) **U.S. Cl.** ..... **D8/396; D8/354**  
(58) **Field of Classification Search** ..... D8/356,  
D8/371, 394-396, 499, 53, 354, 100, 365;  
D12/51; D19/65, 90; D28/39, 40, 42; 24/546,  
24/563, 910, 327, 334, DIG. 8, DIG. 9, DIG. 13,  
24/DIG. 28; 248/74.2, 300, 301, 316.7, 229.26  
See application file for complete search history.

OTHER PUBLICATIONS

U.S. Appl. No. 60/598,157, filed Aug. 2, 2004.  
U.S. Appl. No. 29/211,496, filed Aug. 17, 2004.  
U.S. Appl. No. 29/231,625, filed Jun. 8, 2005 Applicant:  
Jack M. Minor et al.  
U.S. Appl. No. 29/231,770, filed Jun. 9, 2005 Applicant:  
Jack M. Minor et al.

(56) **References Cited**

U.S. PATENT DOCUMENTS

D201,387 S 6/1965 Reeves  
3,673,753 A 7/1972 Anderson  
3,788,025 A 1/1974 Holmes  
D281,952 S 12/1985 Farmer et al.  
4,575,985 A 3/1986 Eckenrodt  
4,598,523 A 7/1986 Tolliver  
4,610,122 A 9/1986 De Clercq  
D301,333 S \* 5/1989 Bongard et al. .... D13/156  
4,835,933 A 6/1989 Yung  
5,323,582 A 6/1994 Watson  
5,371,991 A 12/1994 Bechtel et al.  
D355,582 S 2/1995 Sleight ..... D8/354  
D371,861 S \* 7/1996 Stamm ..... D26/140  
5,688,428 A 11/1997 Maguire  
5,730,432 A 3/1998 Gendreau et al.  
5,752,860 A 5/1998 Greaves  
5,878,546 A 3/1999 Westover  
5,893,252 A 4/1999 Hardy, Jr. et al.  
D414,680 S 10/1999 Mathews  
6,017,014 A 1/2000 Maguire  
6,112,494 A 9/2000 Hardy, Jr. et al.  
6,276,108 B1 \* 8/2001 Padrun ..... 52/684  
6,385,938 B1 5/2002 Gavin

\* cited by examiner

*Primary Examiner*—Louis S. Zarfes  
*Assistant Examiner*—John Windmuller  
(74) *Attorney, Agent, or Firm*—Sara A. Gossman; Patent  
Law Offices of Rick Martin, P.C.

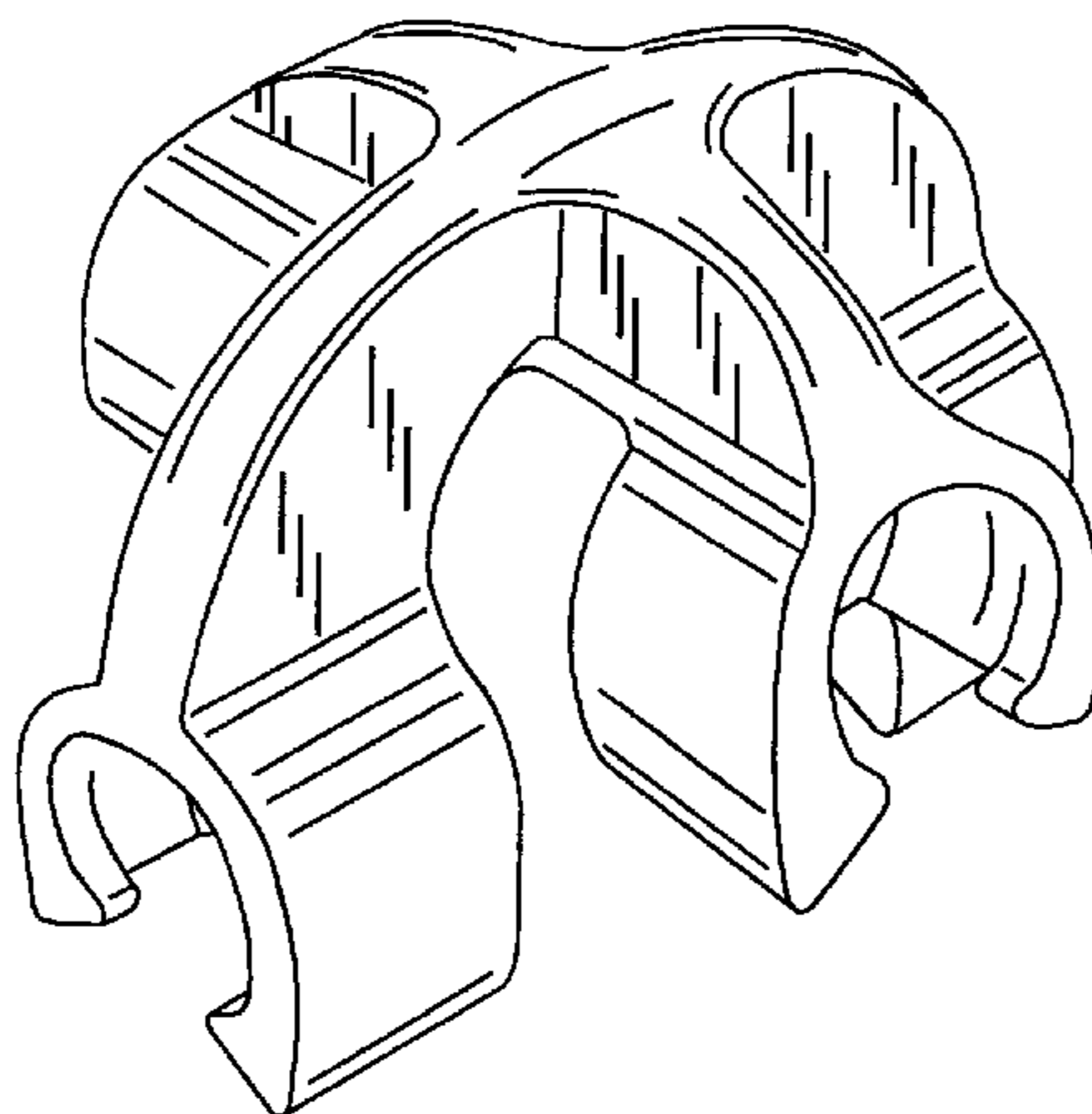
(57) **CLAIM**

The ornamental design for a re-bar clamp, as shown and described.

**DESCRIPTION**

FIG. 1 is a top perspective view of my new design for a re-bar clamp.  
FIG. 2 is a bottom perspective view of the FIG. 1 clamp illustrating the underside of the re-bar clamp.  
FIG. 3 is a side elevation view of the front and back sides, which are identical, of the FIG. 1 clamp.  
FIG. 4 is a side elevation view of the left and right sides, which are identical, of the FIG. 1 clamp.  
FIG. 5 is a top plan view of the FIG. 1 clamp; and,  
FIG. 6 is a bottom plan view of the FIG. 1 clamp.

**1 Claim, 2 Drawing Sheets**



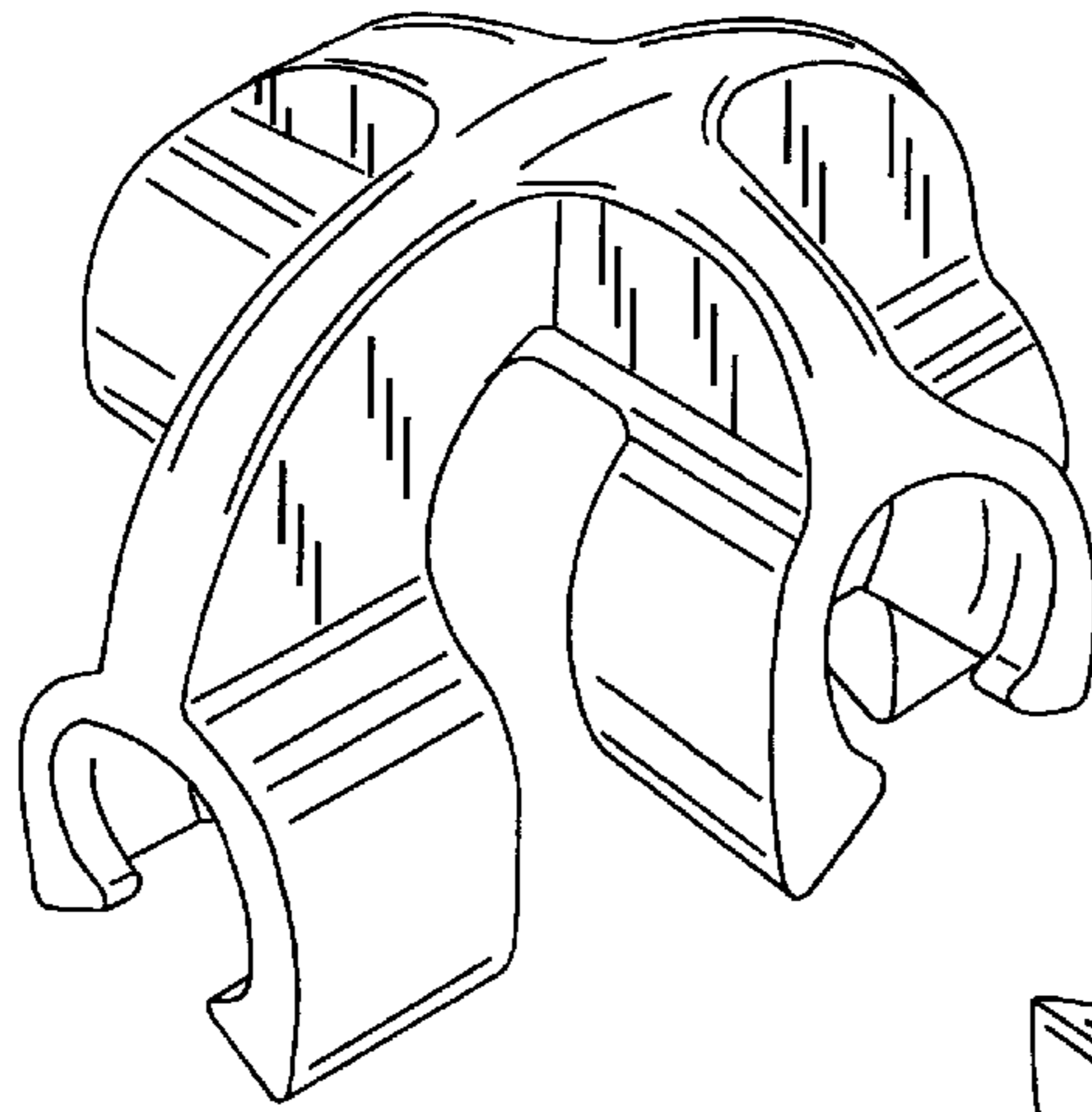


Fig. 1

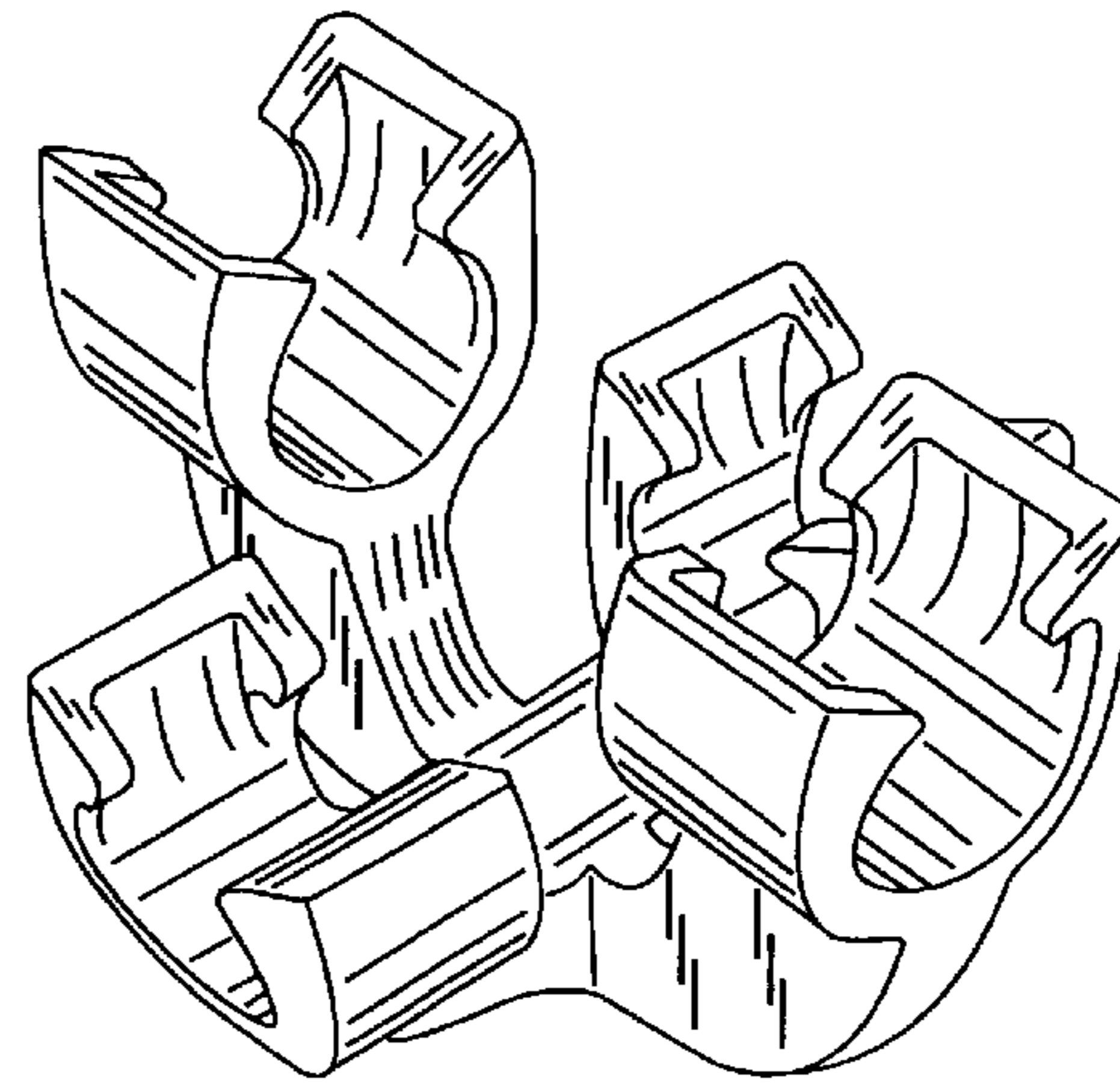


Fig. 2

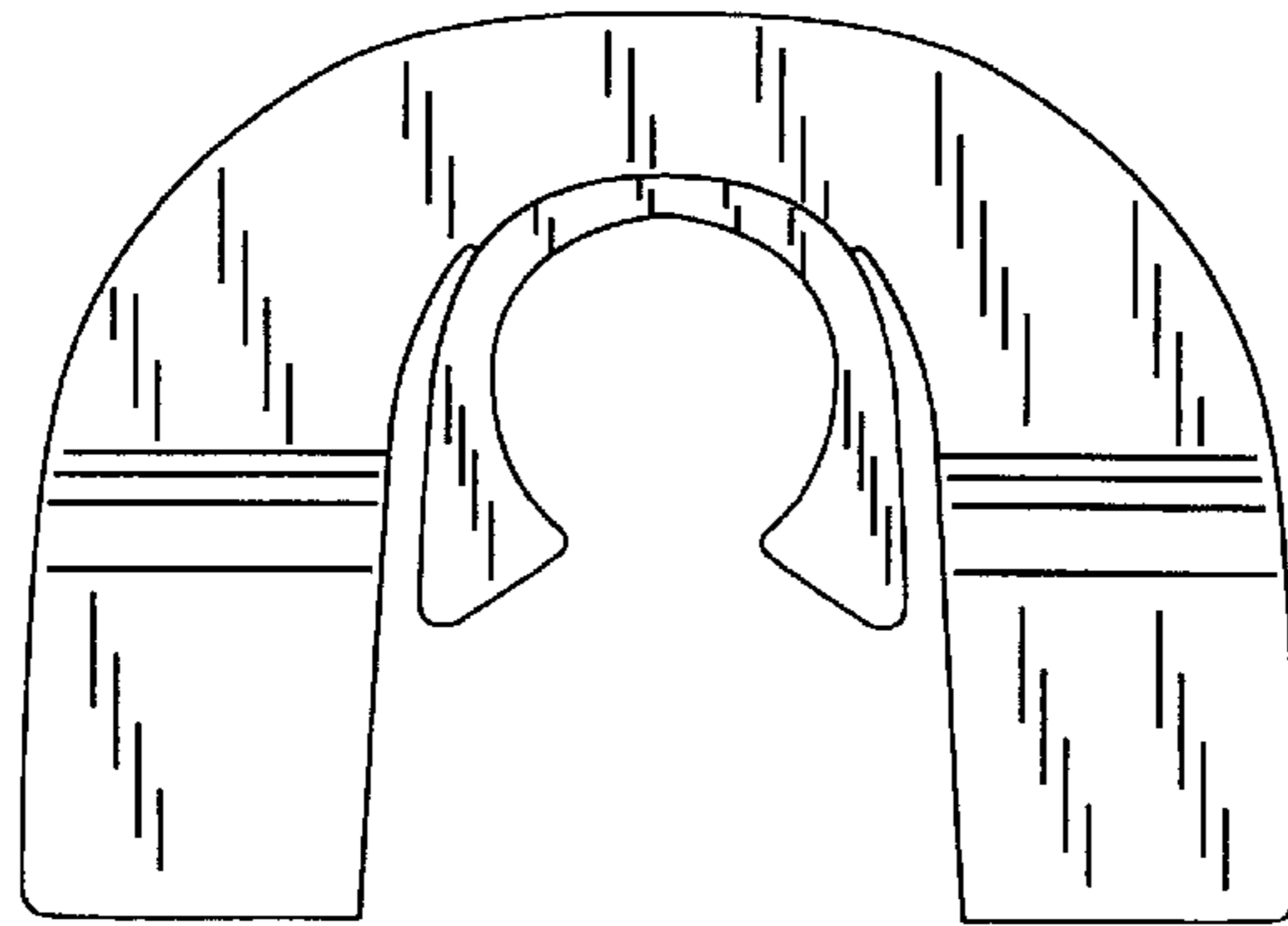


Fig. 3

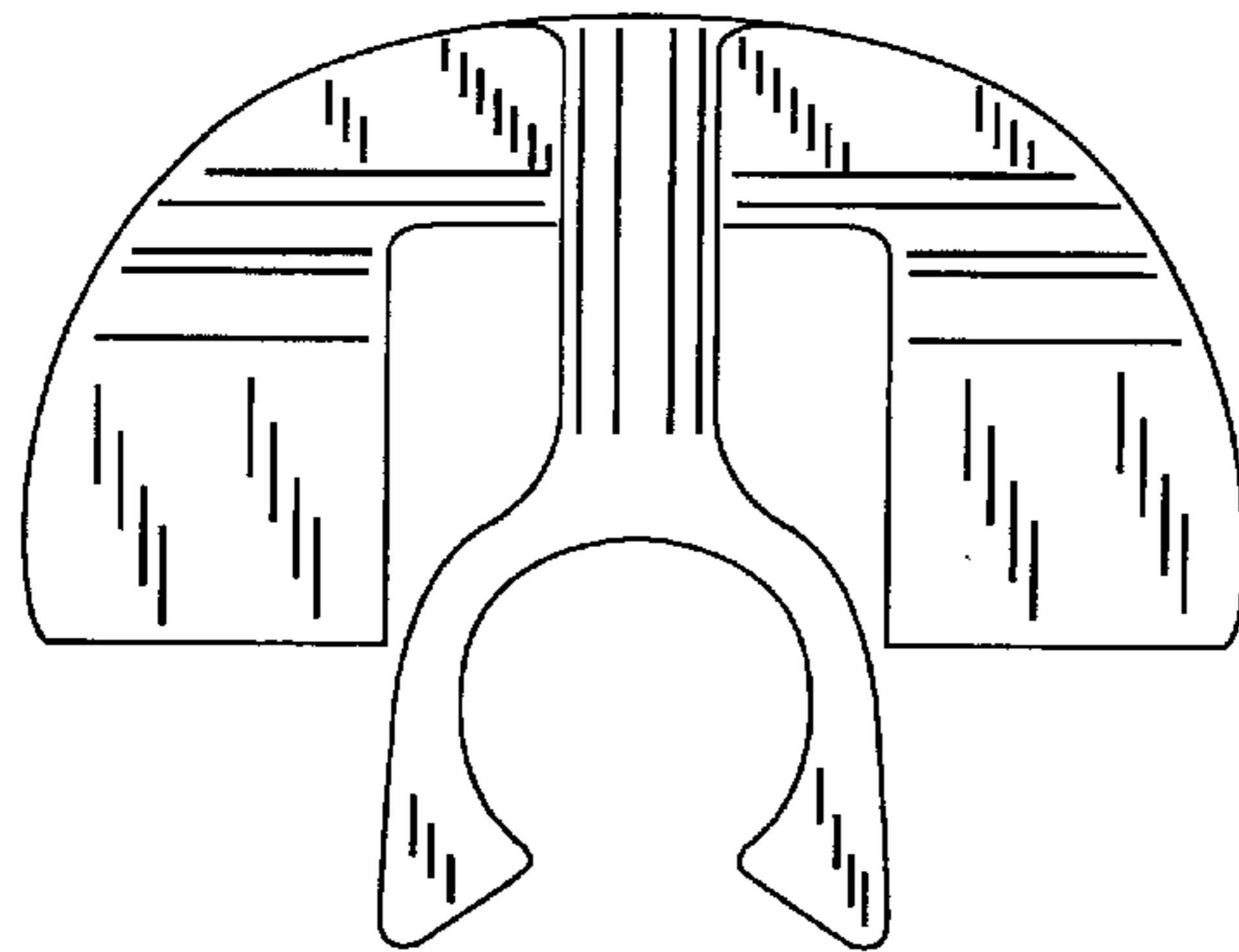


Fig. 4

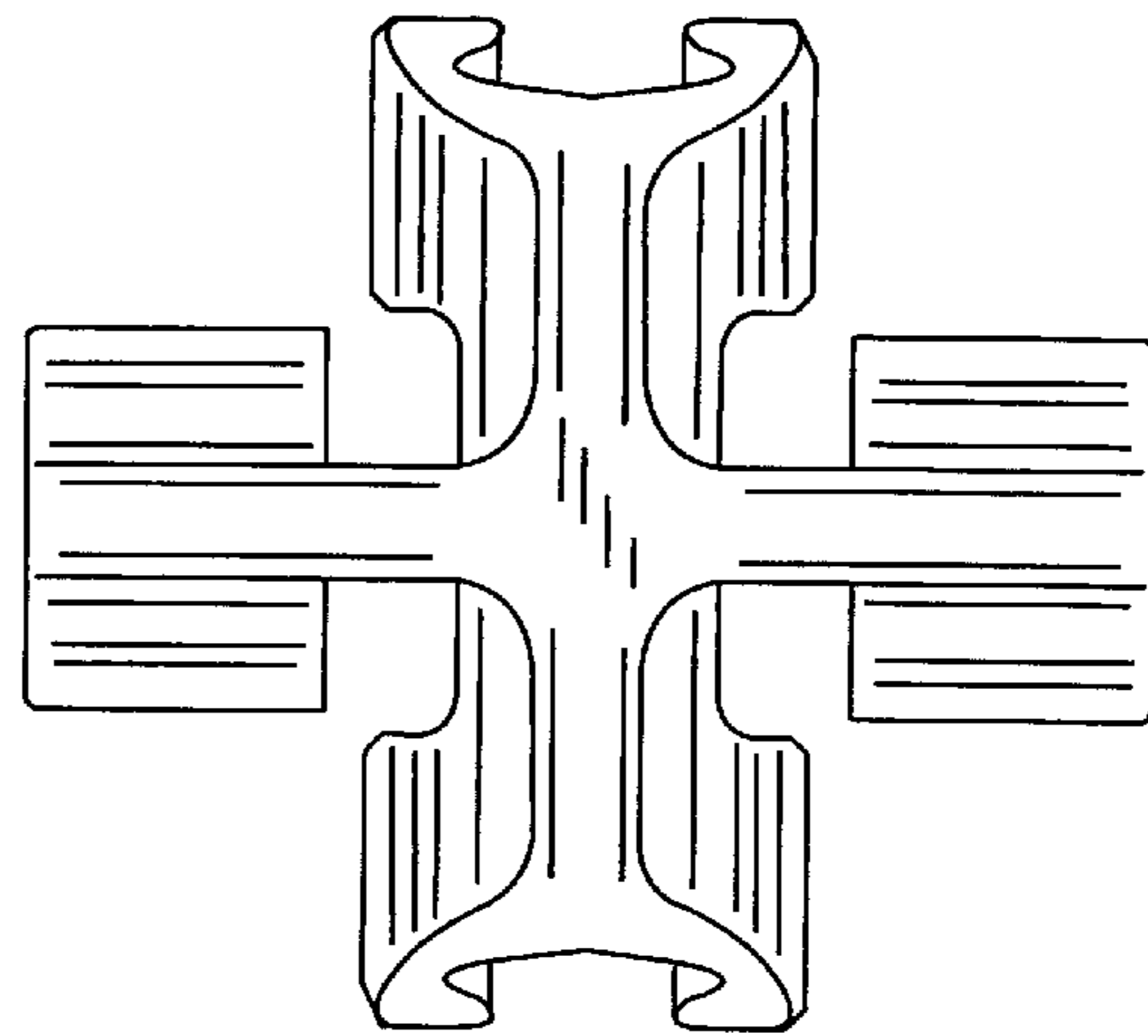


Fig. 5

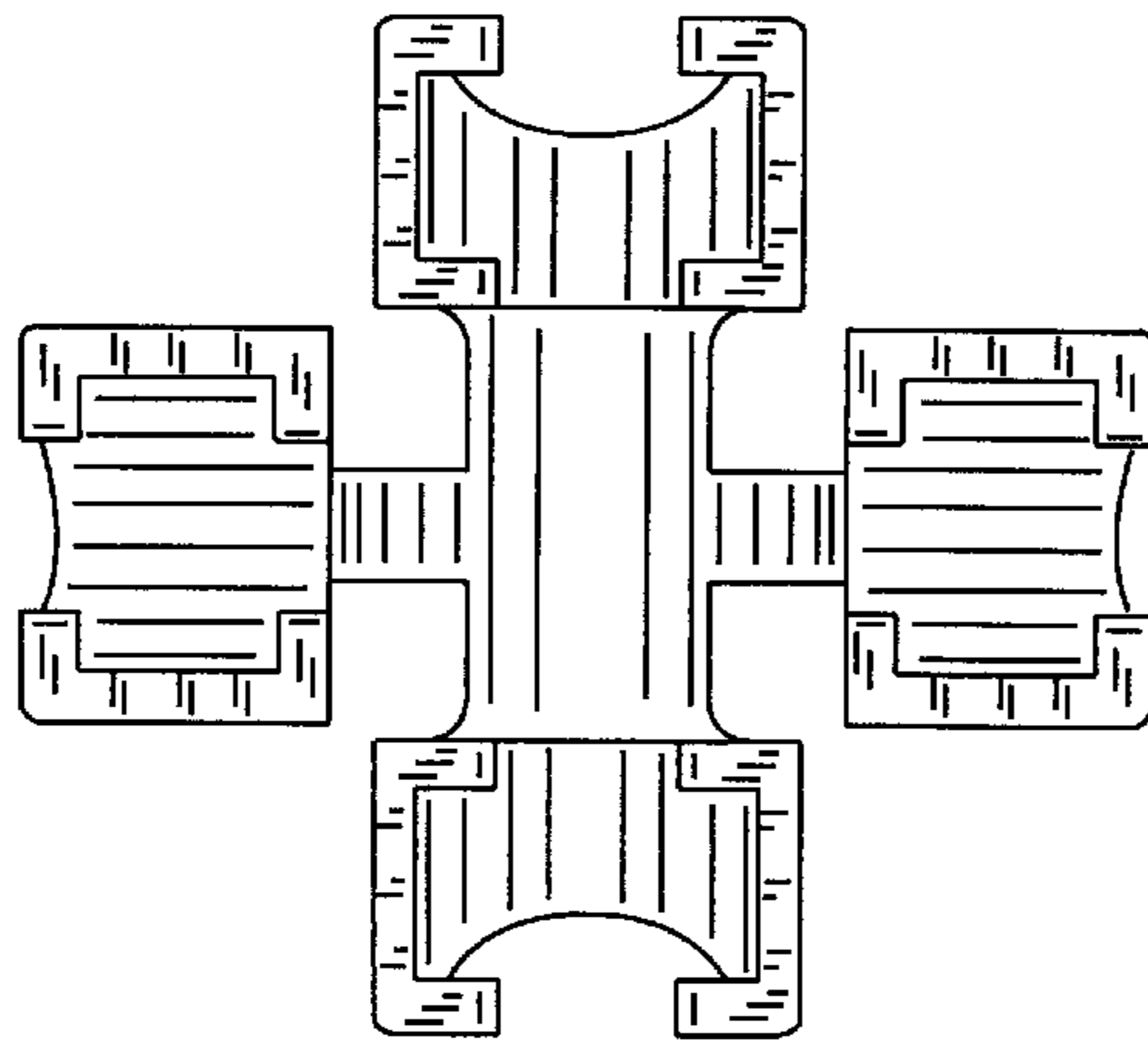


Fig. 6