



US00D529793S

(12) **United States Design Patent**  
**Kuroda**

(10) **Patent No.:** **US D529,793 S**  
(45) **Date of Patent:** **\*\* Oct. 10, 2006**

(54) **CONNECTOR FOR FIXING AUTOMOBILE PARTS**

(75) Inventor: **Takeshi Kuroda**, Kanagawa-ken (JP)

(73) Assignee: **Piolax, Inc.**, Yokohama (JP)

(\*\*) Term: **14 Years**

(21) Appl. No.: **29/206,457**

(22) Filed: **Jun. 1, 2004**

(51) **LOC (8) Cl.** ..... **08-08**

(52) **U.S. Cl.** ..... **D8/382**

(58) **Field of Classification Search** ..... D8/382,  
D8/383; 24/115 G, 115 H, 16 PB, 129 A,  
24/136 R

See application file for complete search history.

(56) **References Cited**

**U.S. PATENT DOCUMENTS**

D464,873 S	*	10/2002	Nemoto	.....	D8/382
D471,084 S	*	3/2003	Nemoto	.....	D8/382
D477,771 S	*	7/2003	Nemoto	.....	D8/382

**FOREIGN PATENT DOCUMENTS**

JP	821624	11/1991
JP	825511	12/1991
JP	825511	8/1992
JP	931930	8/1995
JP	994532	11/1997
JP	1052869	10/1999

JP	1052870	10/1999
JP	1052871	10/1999
JP	1067403	4/2000
JP	1052869	7/2000
JP	1052870	7/2000
JP	1052871	7/2000
JP	1100983	2/2001
JP	1100984	2/2001
JP	1101193	2/2001
JP	1101194	2/2001
JP	1101195	2/2001

\* cited by examiner

*Primary Examiner*—Holly H. Baynham

(74) *Attorney, Agent, or Firm*—McGinn IP Law Group, PLLC

(57) **CLAIM**

The ornamental design for a connector for fixing automobile parts, as shown and described.

**DESCRIPTION**

FIG. 1 is a perspective view of the front, top and left side of a connector for fixing automobile parts according to my new design;

FIG. 2 is a front view thereof;

FIG. 3 is a rear view thereof;

FIG. 4 is a top plan view thereof;

FIG. 5 is a bottom view thereof;

FIG. 6 is a right side view thereof; and,

FIG. 7 is a left side view thereof.

**1 Claim, 4 Drawing Sheets**

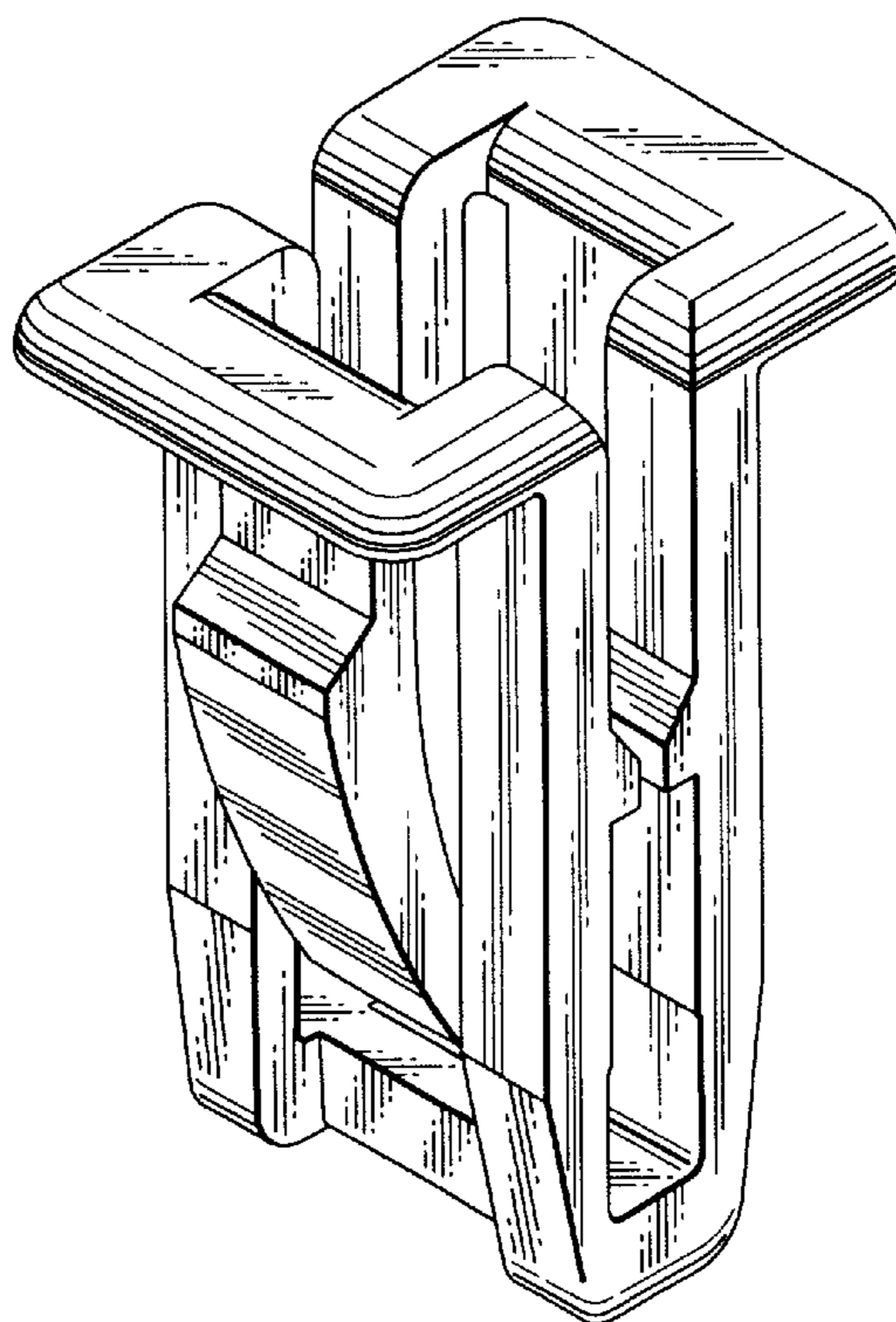


FIG. 1

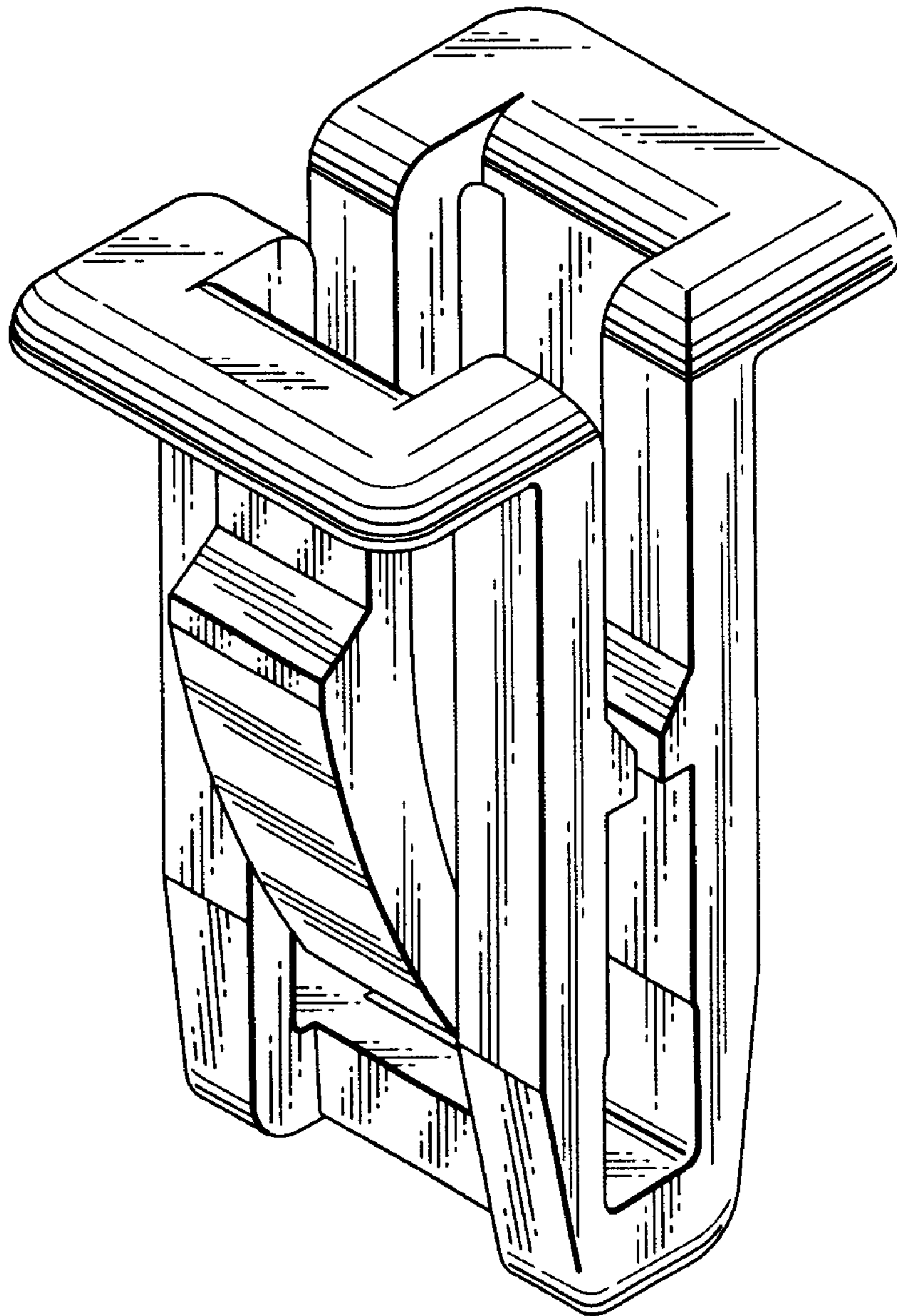


FIG.2

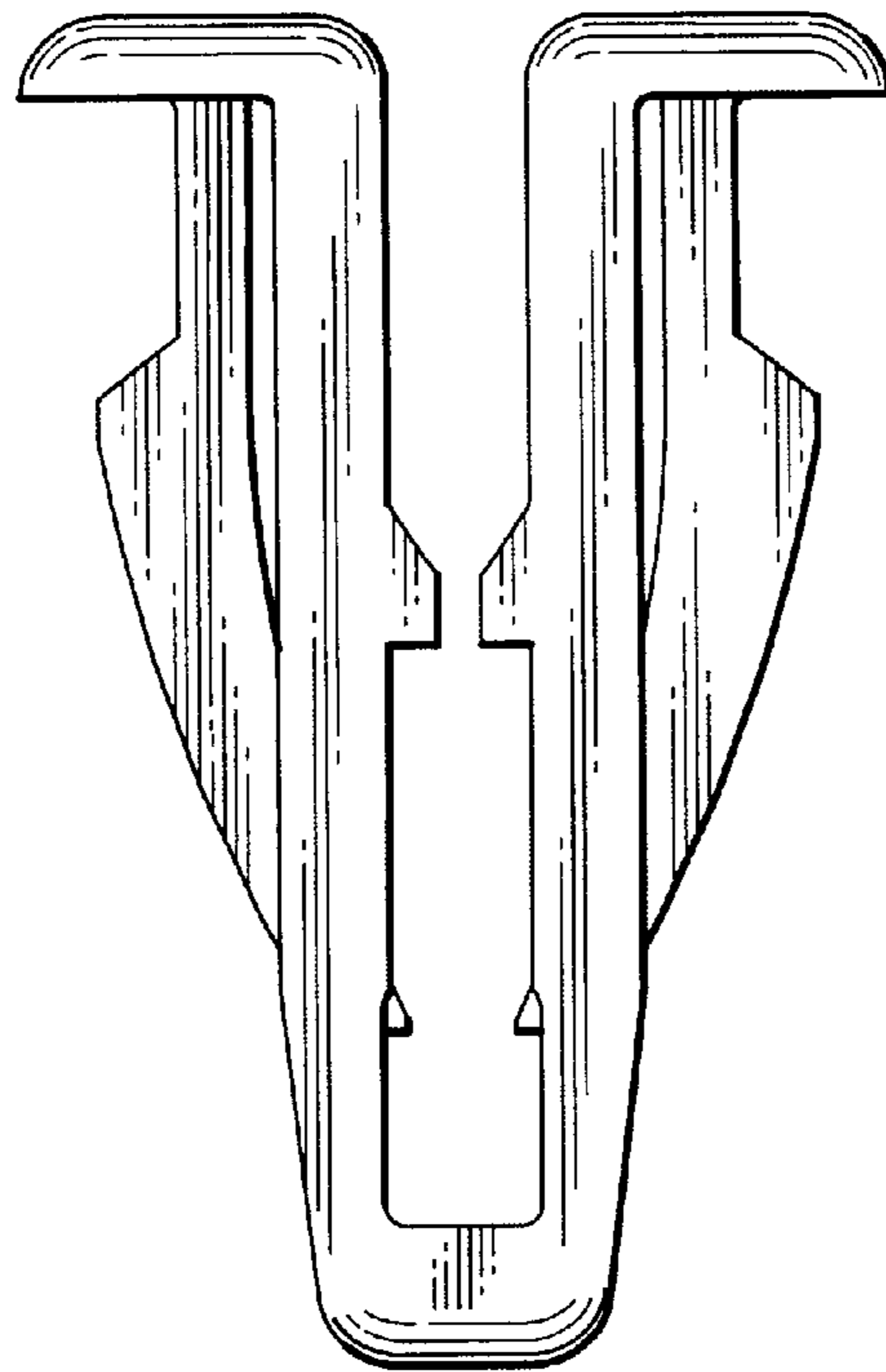


FIG.3

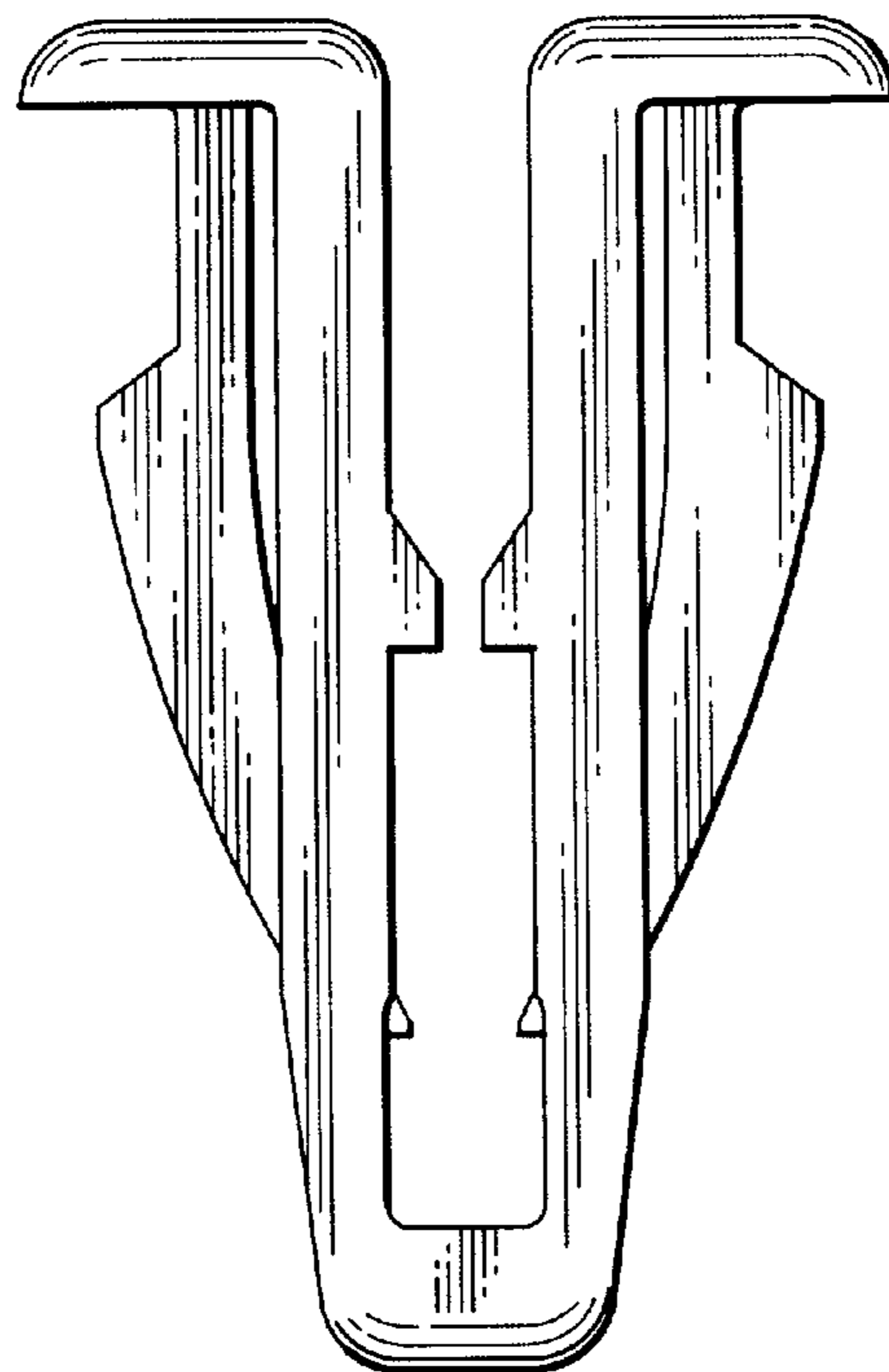


FIG.4

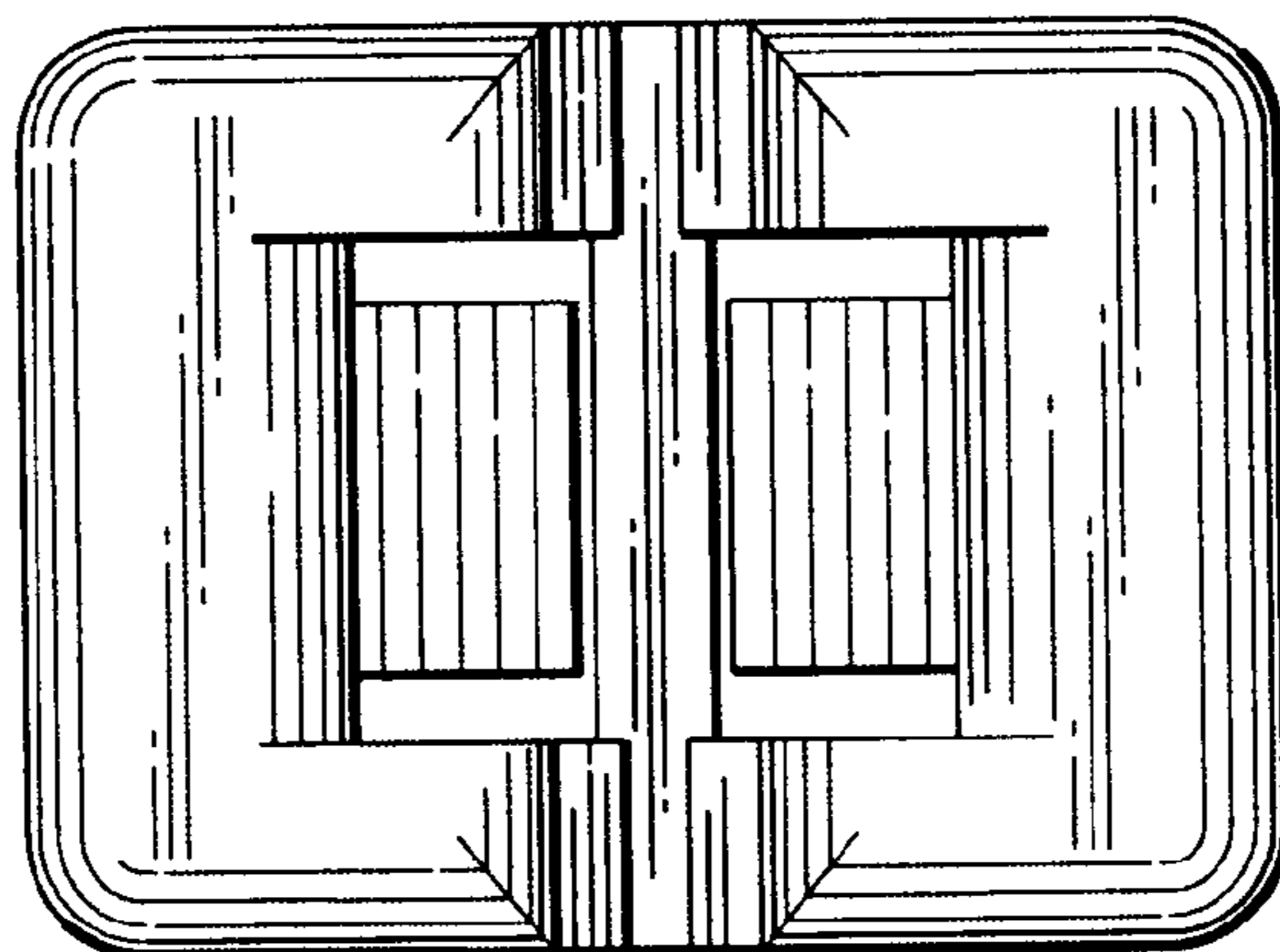


FIG.5

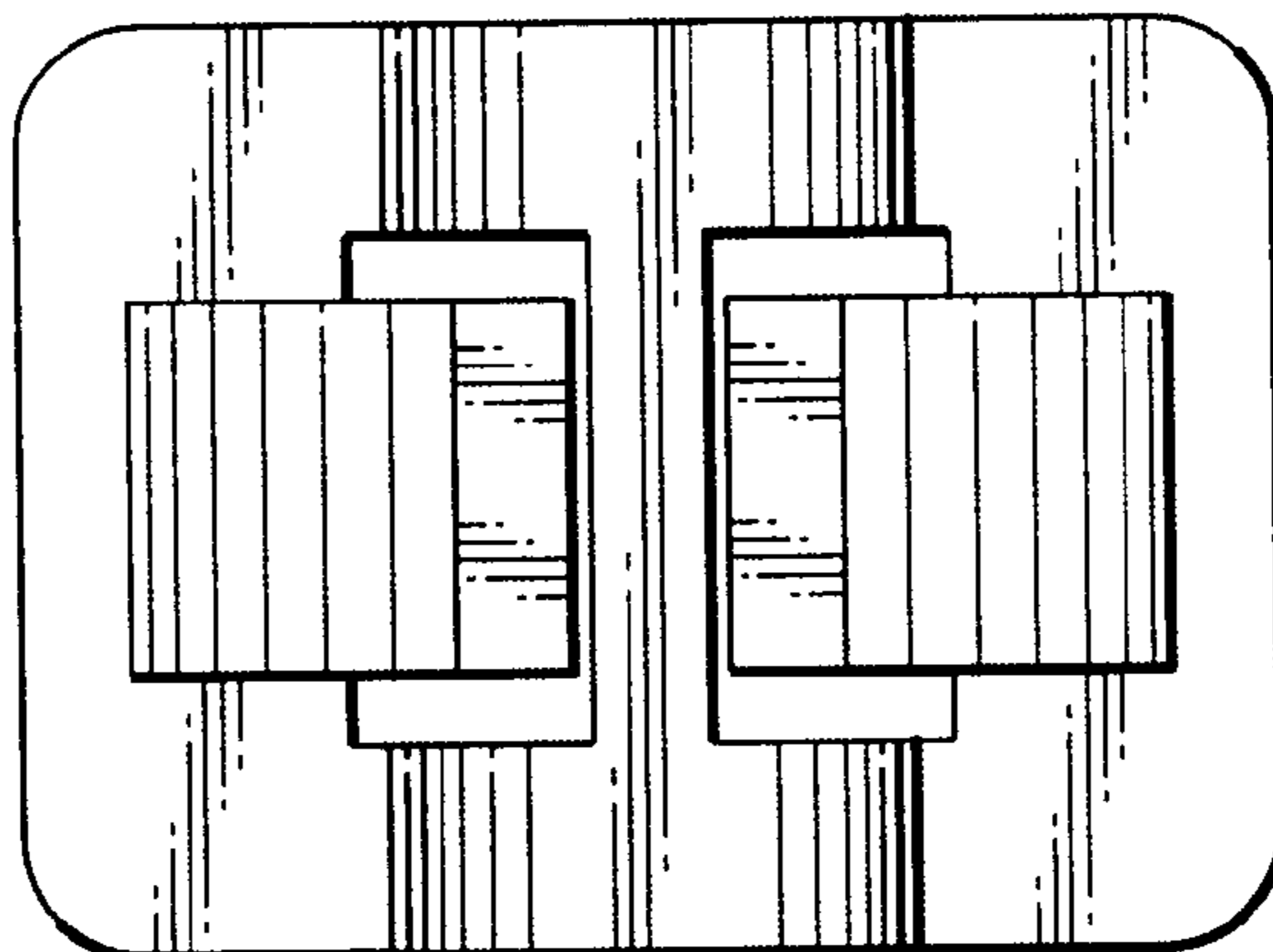


FIG. 6

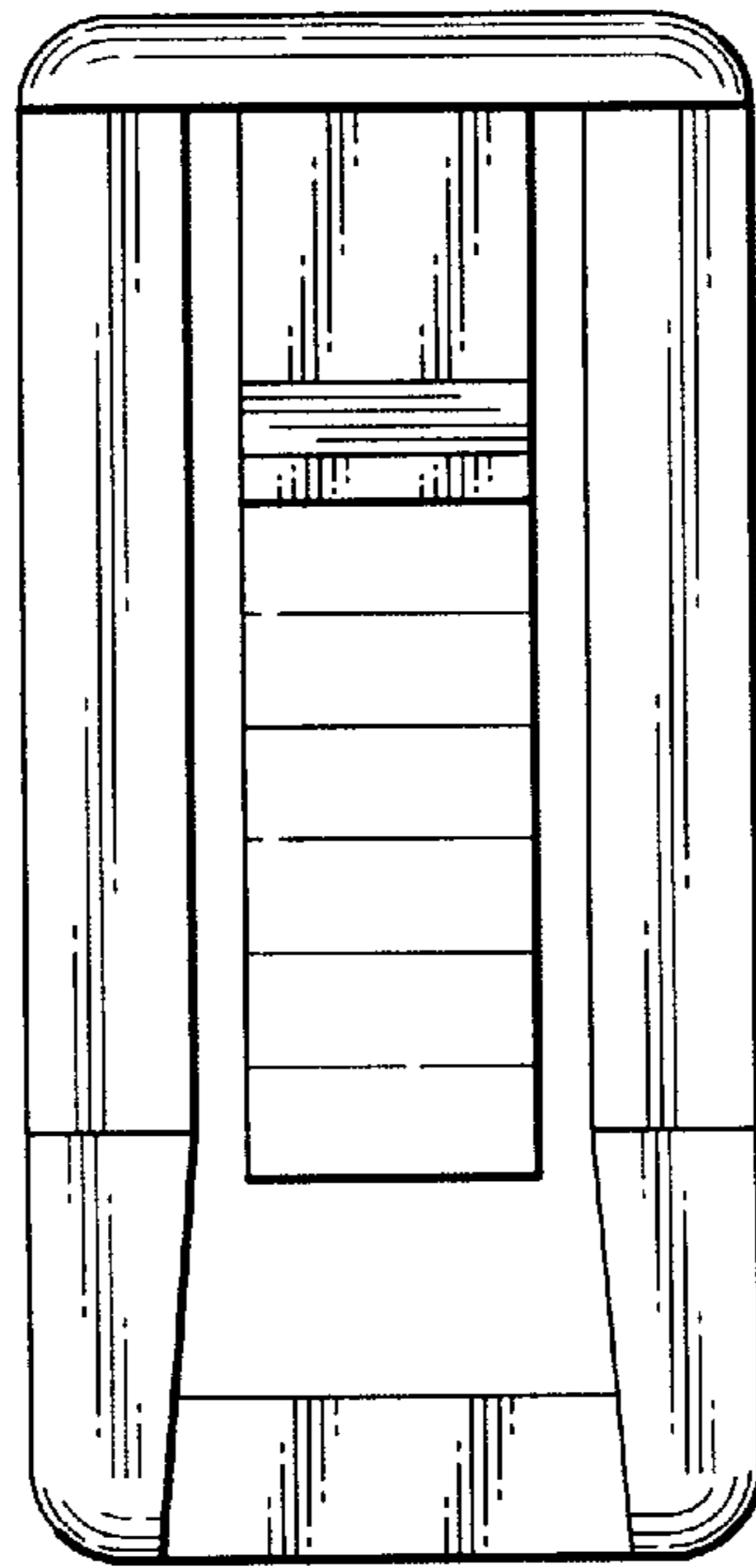


FIG. 7

