



US00D529791S

(12) **United States Design Patent**
Kunesh

(10) **Patent No.:** **US D529,791 S**

(45) **Date of Patent:** **** Oct. 10, 2006**

(54) **WALL MOUNTABLE CONTAINER HOLDER**

(75) Inventor: **Edward J. Kunesh**, Franksville, WI
(US)

(73) Assignee: **S.C. Johnson & Son, Inc.**, Racine, WI
(US)

(**) Term: **14 Years**

(21) Appl. No.: **29/210,237**

(22) Filed: **Jul. 29, 2004**

Related U.S. Application Data

(63) Continuation-in-part of application No. 10/868,151, filed on Jun. 15, 2004.

(51) **LOC (8) Cl.** **08-05**

(52) **U.S. Cl.** **D8/373**

(58) **Field of Classification Search** D8/373,
D8/363; 248/311.2, 310, 309.1; 211/13.1,
211/32, 75, 87.01, 88.03

See application file for complete search history.

(56) **References Cited**

U.S. PATENT DOCUMENTS

3,288,332 A	11/1966	Etter et al.	222/80
3,368,720 A	2/1968	Moll	222/181
3,490,725 A	* 1/1970	Speelman	248/311.2
3,653,554 A	4/1972	Turben	222/181
3,814,297 A	6/1974	Warren	222/402.13
4,223,812 A	9/1980	van Lit	222/180
4,678,106 A	7/1987	Newell et al.	222/162
4,792,064 A	12/1988	Loesel, Jr. et al.	222/181
4,905,873 A	3/1990	Loesel, Jr. et al.	222/181
5,014,880 A	5/1991	Loesel, Jr. et al.	222/181

5,228,601 A	7/1993	Podesta	222/181
5,431,304 A	7/1995	Gentile	222/103
5,443,236 A	8/1995	Bell et al.	248/311.3
5,445,288 A	8/1995	Banks	222/95
D372,189 S	* 7/1996	Andis et al.	D8/373
5,806,822 A	* 9/1998	Schulz	248/309.1
5,826,755 A	10/1998	Burd	222/309
5,992,708 A	11/1999	Gaichuk	222/402.15
D425,908 S	* 5/2000	Collins	D14/253
6,073,533 A	6/2000	Brandon	86/45
6,237,812 B1	5/2001	Fukada	222/181.2
6,318,600 B1	11/2001	Winnett et al.	222/173
6,409,050 B1	6/2002	Ophardt et al.	222/181.1
6,581,804 B1	6/2003	Ciavarella et al.	222/181.3
D477,956 S	8/2003	Grisdale et al.	D6/553
6,601,736 B1	8/2003	Ophardt et al.	222/181.1
2003/0136800 A1	7/2003	Brand et al.	222/183
2004/0188470 A1	9/2004	Hill	222/192

* cited by examiner

Primary Examiner—Holly Baynham

(57) **CLAIM**

The ornamental design for a wall mountable container holder, as shown and described.

DESCRIPTION

FIG. 1 is an isometric view of a wall mountable container holder according to the present invention; FIG. 2 is a front elevational view thereof; FIG. 3 is a first side elevational view thereof; FIG. 4 is a second side elevational view thereof; FIG. 5 is a plan view thereof; FIG. 6 is a bottom plan view thereof; and, FIG. 7 is a back elevational view thereof.

1 Claim, 6 Drawing Sheets

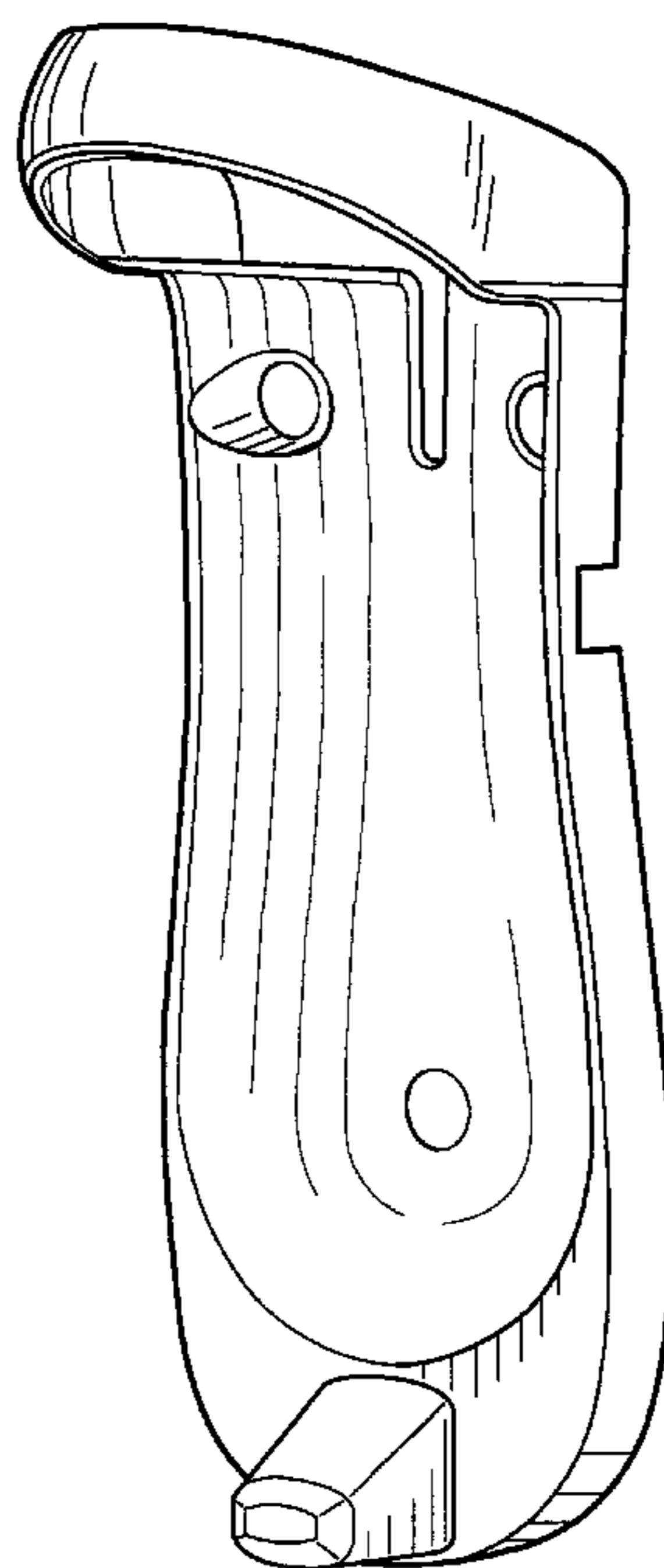


FIG. 1

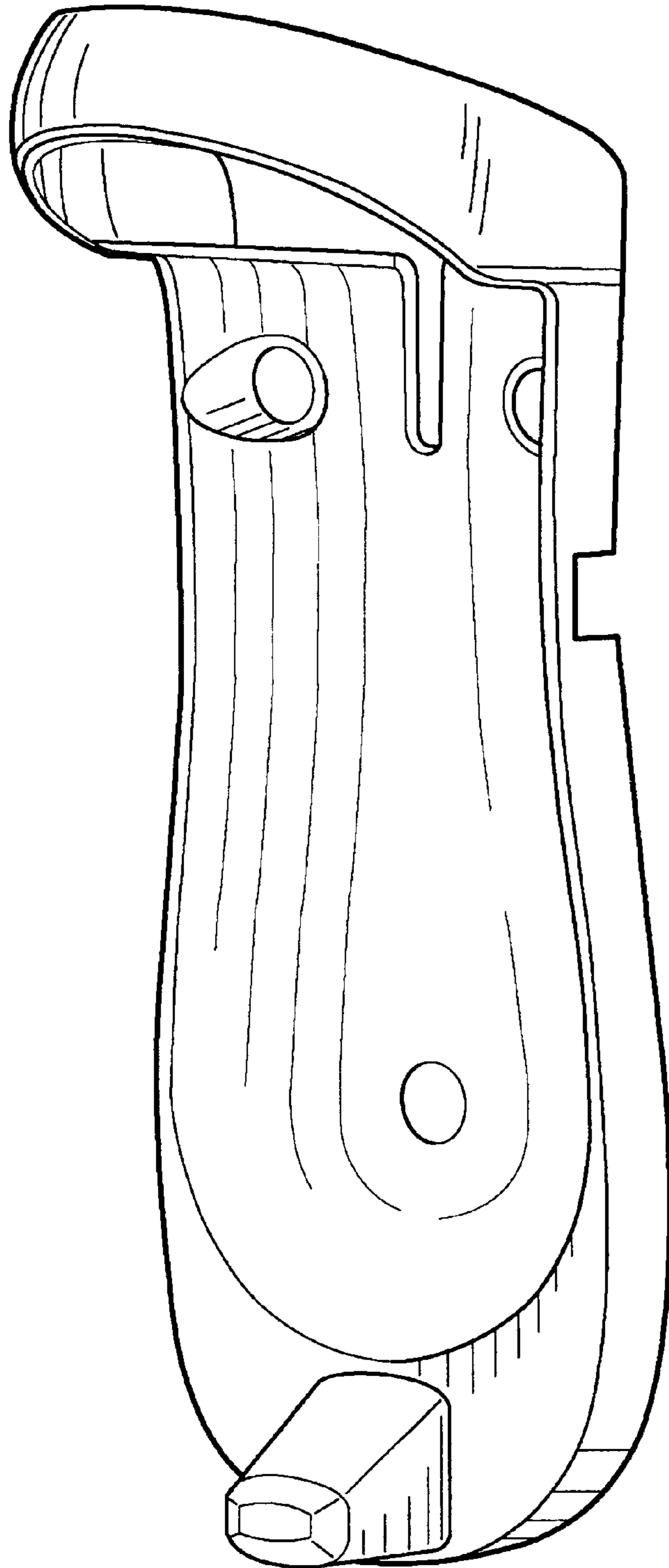


FIG. 2

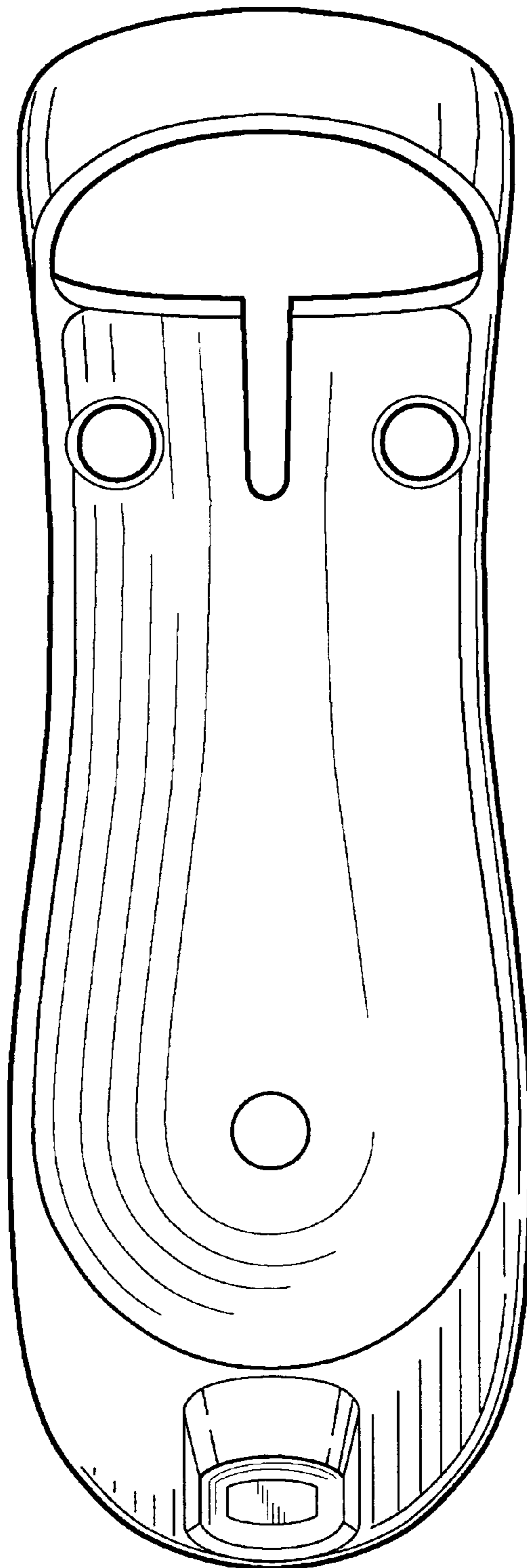


FIG. 3

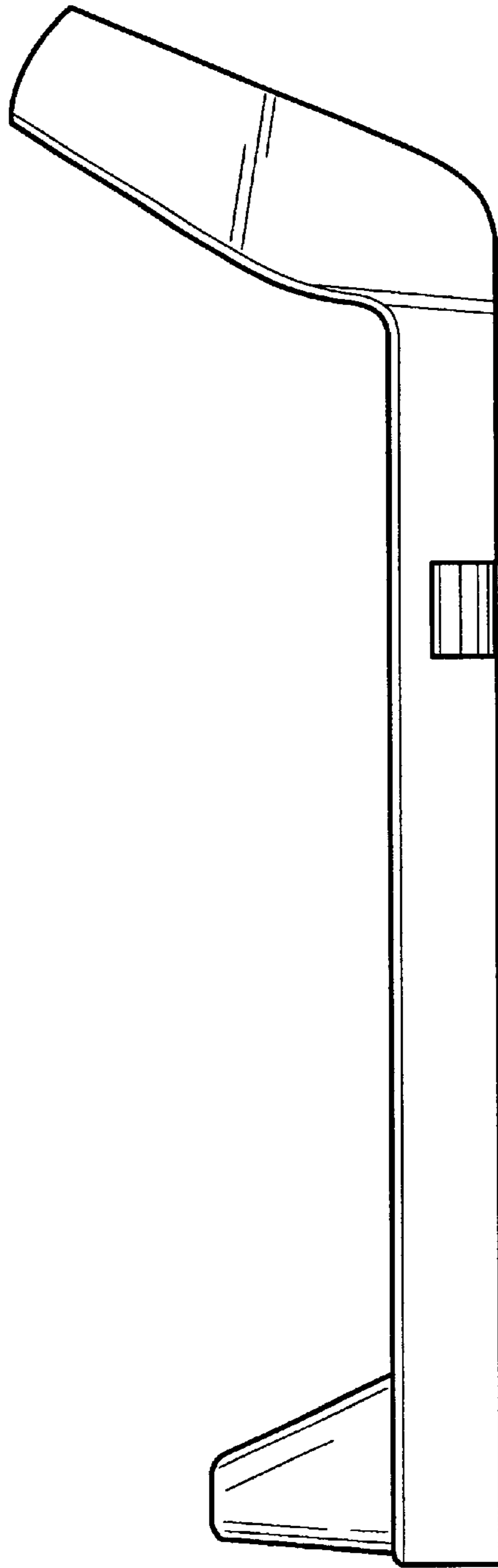


FIG. 4

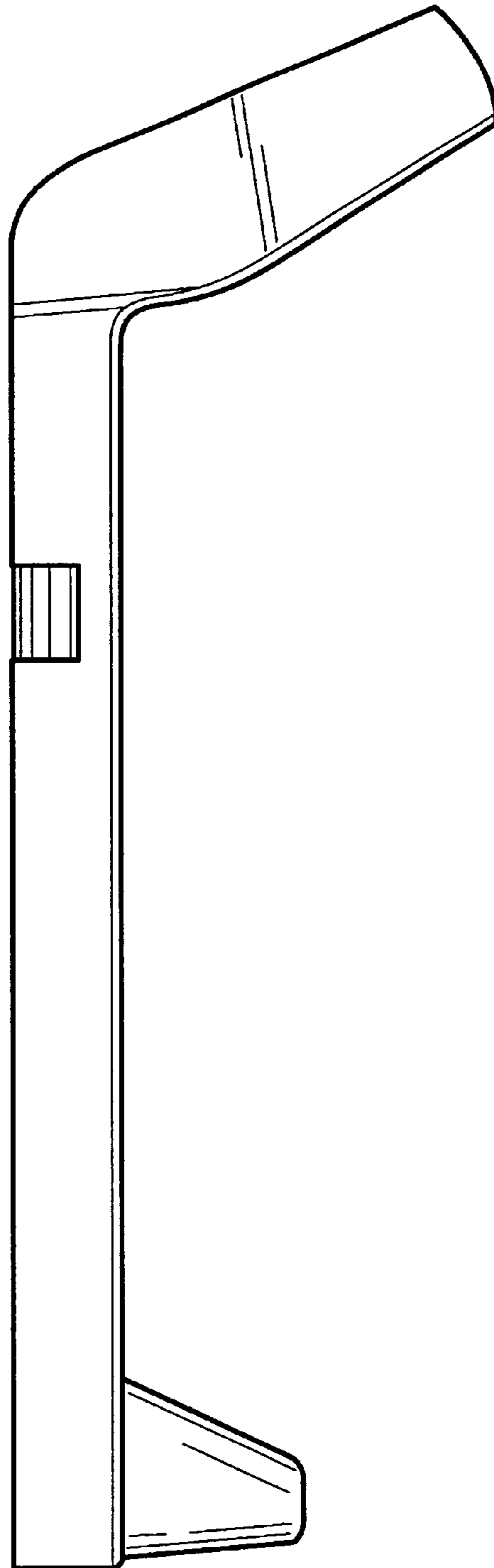


FIG. 5

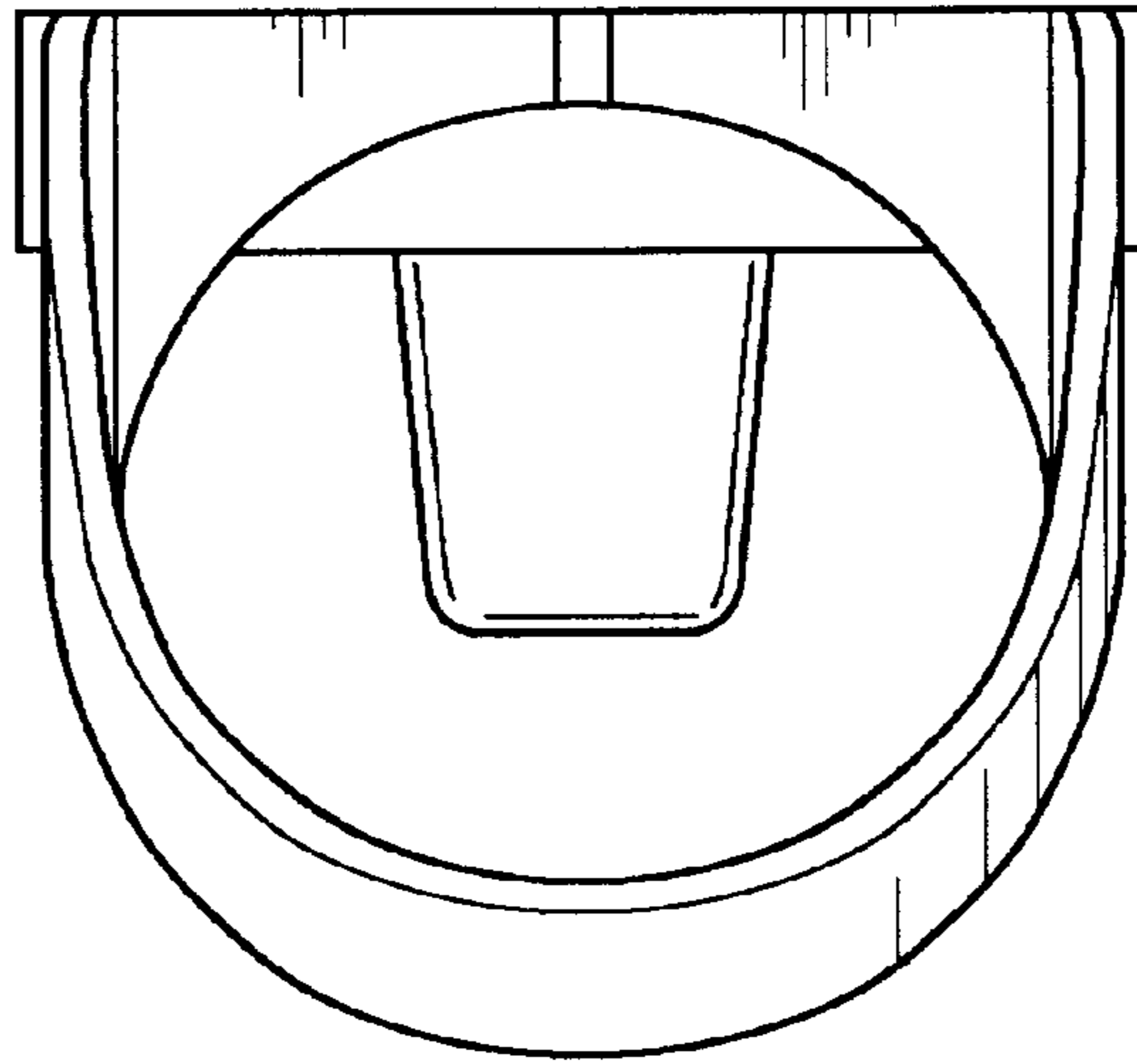


FIG. 6

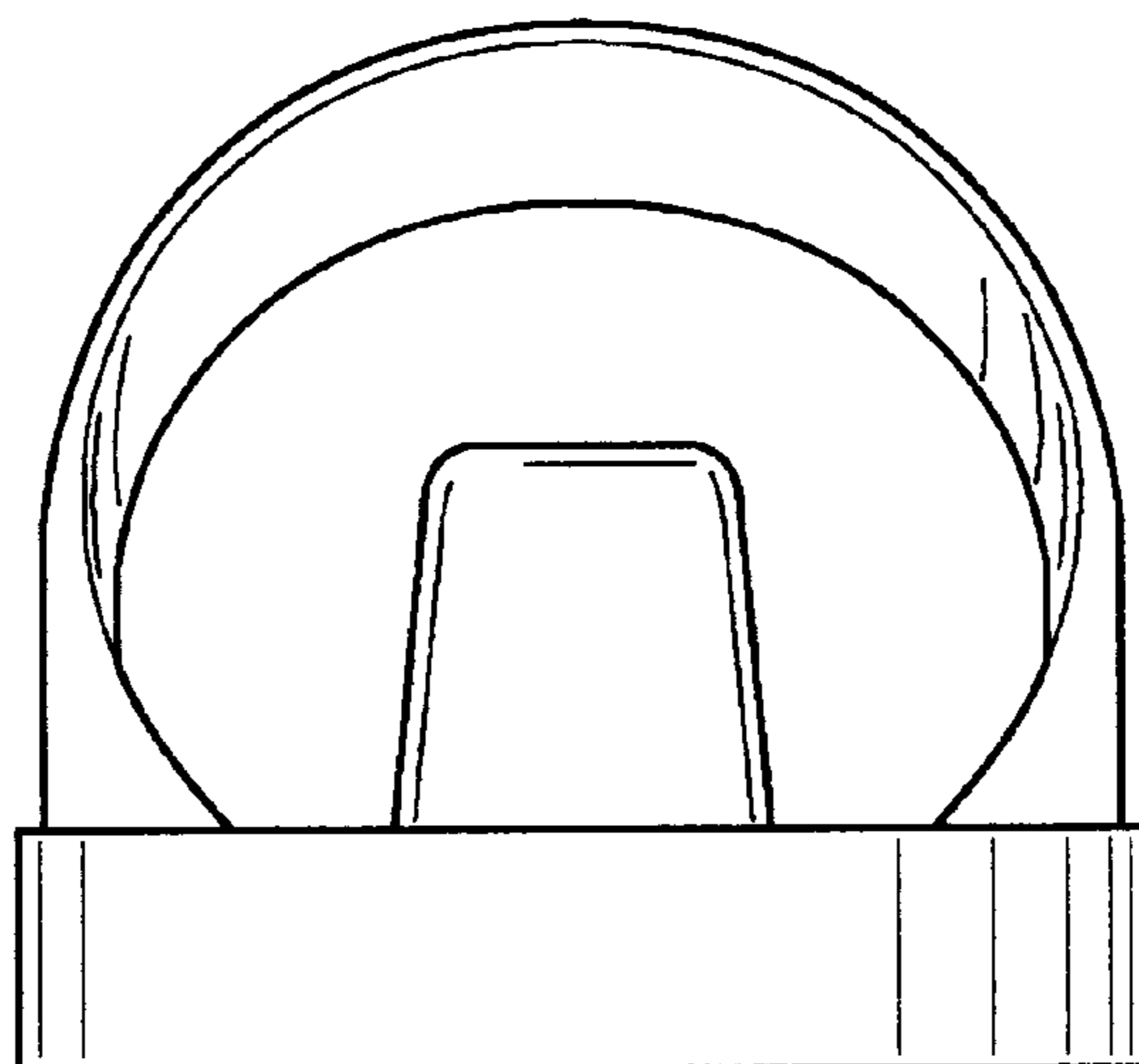


FIG. 7

