



US00D529789S

(12) **United States Design Patent** (10) **Patent No.:** **US D529,789 S**
Klecker (45) **Date of Patent:** **** Oct. 10, 2006**

(54) **CARABINER WITH PIVOTED GATE**
(75) Inventor: **Glenn A. Klecker**, Silverton, OR (US)
(73) Assignee: **Leatherman Tool Group, Inc.**,
Portland, OR (US)

4,837,932 A 6/1989 Elsener
D304,154 S 10/1989 Ousterhout
4,888,869 A 12/1989 Leatherman
4,896,424 A 1/1990 Walker

(Continued)

(**) Term: **14 Years**

FOREIGN PATENT DOCUMENTS

(21) Appl. No.: **29/232,125**

CH 277412 11/1951
EP 0100377 2/1984
EP 0714736 6/1996
GB 2190321 11/1987

(22) Filed: **Jun. 14, 2005**

OTHER PUBLICATIONS

(51) **LOC (8) Cl.** **08-05**

(52) **U.S. Cl.** **D8/356**

(58) **Field of Classification Search** D8/356,
D8/99, 105; 7/116, 118; 30/161, 122
See application file for complete search history.

Camillus Knives, Aftermath CU 2562 Folding Knife with Assisted Opening, photocopy of photos taken of product, on sale at least as early as Jun. 2004.

(Continued)

(56) **References Cited**

Primary Examiner—Holly Baynham
(74) *Attorney, Agent, or Firm*—Chernoff, Vilhauer, McClung & Stenzel, LLP

U.S. PATENT DOCUMENTS

226,910 A 4/1880 Friebertshauser
362,718 A 5/1887 Brueckner
551,052 A 12/1895 Shonnard et al.
749,230 A 1/1904 Severance
959,909 A 9/1910 Schrade
1,454,665 A 5/1923 Bobek
1,743,022 A 1/1930 Carman
1,828,121 A 10/1931 Adam et al.
2,250,290 A 7/1941 Berg
2,263,415 A 11/1941 Berg et al.
D167,920 S 10/1952 Zuras
4,124,939 A 11/1978 Onoue
4,342,410 A 8/1982 Sloan
4,347,665 A 9/1982 Glesser
4,404,748 A 9/1983 Wiehoff
4,451,982 A 6/1984 Collins
4,502,221 A 3/1985 Pittman
D280,179 S 8/1985 Miceli
4,563,813 A 1/1986 Fortenberry
4,570,341 A 2/1986 Konneker
4,719,700 A 1/1988 Taylor, Jr.
4,741,106 A 5/1988 Yamagishi
4,776,094 A 10/1988 Glesser
4,805,303 A 2/1989 Gibbs
4,811,486 A 3/1989 Cunningham

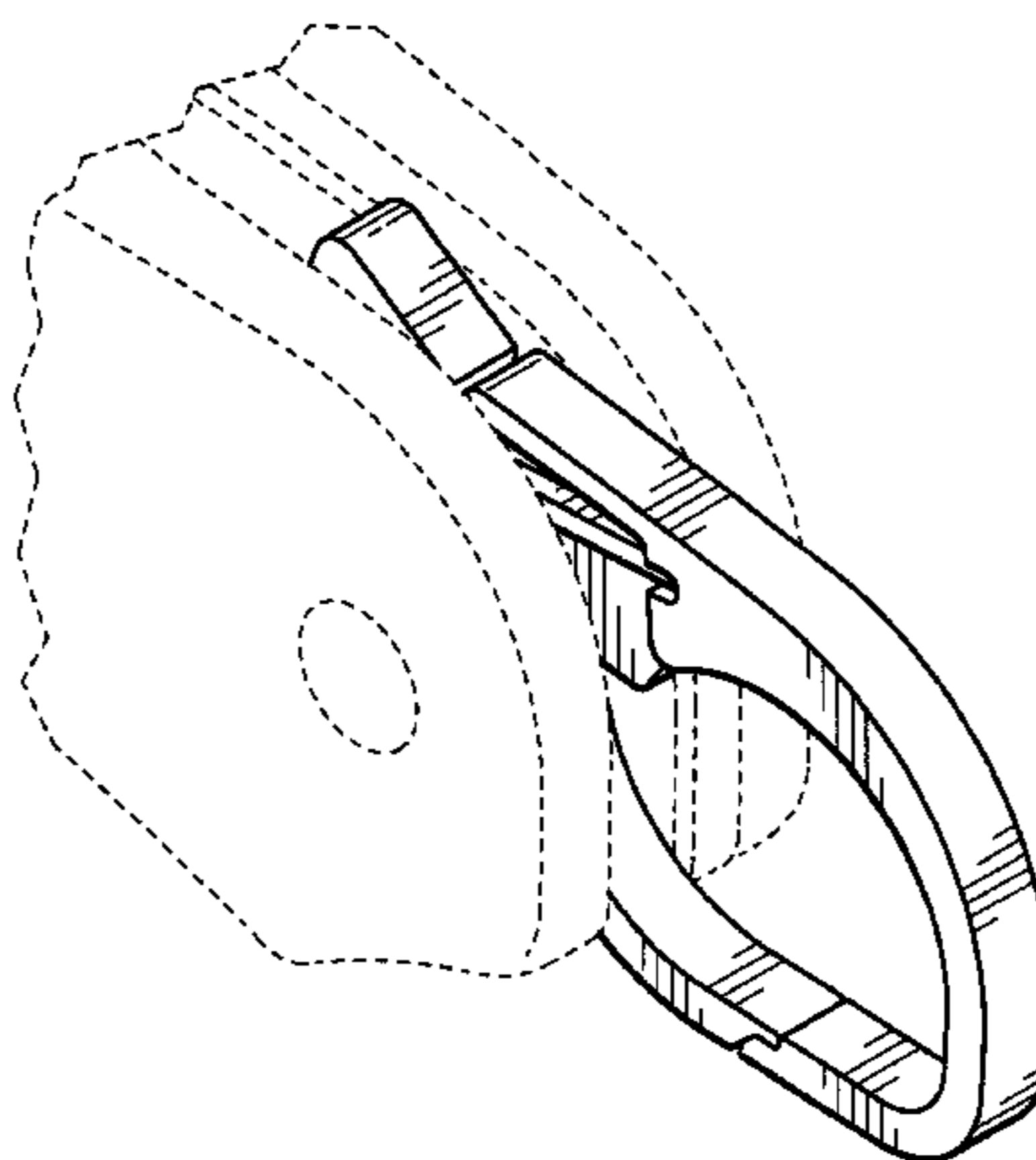
(57) **CLAIM**

The ornamental design for a carabiner with pivoted gate, as shown and described.

DESCRIPTION

FIG. 1 is an isometric view from the upper right front of a carabiner with pivoted gate, including my new design; FIG. 2 is a right side elevational view thereof; FIG. 3 is a top plan view thereof; FIG. 4 is a bottom plan view thereof; FIG. 5 is a front end elevational view thereof; and, FIG. 6 is a left side elevational view thereof. The broken lines in FIGS. 1–6 bounding the shaded areas represent the bounds of the claimed design, while all other broken lines showing portions of a tool handle in which the carabiner is mounted are included merely to show the environment for illustrative purposes and form no part of the claimed design.

1 Claim, 2 Drawing Sheets



US D529,789 S

Page 2

U.S. PATENT DOCUMENTS							
D309,409	S	7/1990	Kiernan	D422,478	S	4/2000	Elishewitz
4,947,552	A	8/1990	Barnes	D422,479	S	4/2000	Pardue
4,974,323	A	12/1990	Cassady	D422,480	S	4/2000	McHenry et al.
4,979,301	A	12/1990	Walker	D422,669	S	4/2000	Elishewitz
D319,767	S	9/1991	Sargent	D422,873	S	4/2000	McHenry
5,044,079	A	9/1991	Gibbs	D422,877	S	4/2000	Elishewitz
5,060,379	A	10/1991	Neely	6,079,106	A	6/2000	Vallotton
5,095,624	A	3/1992	Ennis	D427,501	S	7/2000	Berg et al.
5,111,581	A	5/1992	Collins	D428,789	S	8/2000	McHenry et al.
5,245,721	A	9/1993	Lowe et al.	D428,791	S	8/2000	Anderson et al.
5,251,353	A	10/1993	Lin	D429,616	S	8/2000	Rivera
5,270,909	A	12/1993	Weiss et al.	D429,621	S	8/2000	Rivera
5,280,659	A	1/1994	Park	D429,989	S	8/2000	Rivera
D344,006	S	2/1994	Glesser	6,101,724	A	8/2000	Halligan
5,293,690	A	3/1994	Cassady	6,105,255	A	8/2000	Cheng
5,331,741	A	7/1994	Taylor, Jr.	6,112,352	A	9/2000	Legg
5,349,753	A	9/1994	Gaffney	D431,991	S	10/2000	Elishewitz
D356,019	S	3/1995	Sakai	D432,386	S	10/2000	Elishewitz
5,400,509	A	3/1995	Collins	6,128,805	A	10/2000	Rivera
D357,166	S	4/1995	Concari	D433,913	S	11/2000	Pardue
5,437,101	A	8/1995	Collins	6,145,202	A	11/2000	Onion
5,450,670	A	9/1995	Sakai	6,145,851	A	11/2000	Heber
5,463,798	A	11/1995	Wurzer	D435,400	S	12/2000	Veltz et al.
D365,266	S	12/1995	Hasegawa	D435,776	S	1/2001	Veltz et al.
5,495,673	A	3/1996	Gardiner et al.	D436,514	S	1/2001	Rivera
5,502,895	A	4/1996	Lemaire	6,170,104	B1	1/2001	Seber et al.
5,515,610	A	5/1996	Levin et al.	6,223,372	B1	5/2001	Barber
5,537,750	A	7/1996	Seber et al.	6,233,769	B1	5/2001	Seber et al.
D373,521	S	9/1996	Applegate et al.	6,256,887	B1	7/2001	Osborne
D376,743	S	12/1996	Seber et al.	D446,709	S	8/2001	Rivera
D377,443	S	1/1997	Seber et al.	D447,041	S	8/2001	Rivera
5,628,117	A	5/1997	Glesser	6,282,997	B1	9/2001	Frazer
D382,190	S	8/1997	Blackston et al.	6,286,397	B1	9/2001	Taggart et al.
D385,471	S	10/1997	Seber et al.	6,308,420	B1	10/2001	Moser
5,689,885	A	11/1997	Walston	D454,611	S	3/2002	Veltz et al.
5,692,304	A	12/1997	Campbell	6,360,443	B1	3/2002	Remus
D392,538	S	3/1998	Buck et al.	6,389,625	B1	5/2002	Rivera
D393,405	S	4/1998	Seber et al.	6,397,476	B1	6/2002	Onion
5,737,841	A	4/1998	McHenry et al.	6,397,477	B1	6/2002	Collins
5,755,035	A	5/1998	Weatherly	6,438,848	B1	8/2002	McHenry et al.
5,765,247	A	6/1998	Seber et al.	6,438,849	B1	8/2002	Wonderly
5,781,950	A	7/1998	Swinden et al.	6,442,843	B1	9/2002	Jue et al.
5,802,722	A	9/1998	Maxey et al.	6,490,797	B1	12/2002	Lake et al.
5,809,600	A	9/1998	Cachot	D470,032	S	2/2003	Rivera
5,815,927	A	10/1998	Collins	D474,095	S	5/2003	Luquire
5,822,866	A	10/1998	Pardue	D474,670	S	5/2003	Rivera
5,822,867	A	10/1998	Sakai	6,560,873	B1	5/2003	Ortner et al.
5,826,340	A	10/1998	Hull	6,574,869	B1	6/2003	McHenry et al.
D403,944	S	1/1999	Rivera	6,591,504	B1	7/2003	Onion
D405,675	S	2/1999	Rivera	6,594,906	B1	7/2003	Sakai et al.
D405,676	S	2/1999	Rivera	6,618,946	B1	9/2003	Seraphin
D406,508	S	3/1999	Rivera	6,618,947	B1	9/2003	Gardiner et al.
D406,509	S	3/1999	Rivera	D480,492	S	10/2003	Wu
D407,002	S	3/1999	Morton	6,651,344	B1	11/2003	Cheng
D407,003	S	3/1999	Mocowski	D484,770	S	1/2004	Greent
D407,004	S	3/1999	Hull	6,675,484	B1	1/2004	McHenry et al.
5,887,347	A	3/1999	Gibbs	6,684,510	B1	2/2004	Collins
D407,622	S	4/1999	Rivera	6,711,820	B1	3/2004	Chen
D408,257	S	4/1999	Elishewitz	D496,846	S	10/2004	Rivera et al.
D408,705	S	4/1999	Elishewitz	D496,847	S	10/2004	Rivera et al.
D408,706	S	4/1999	Elishewitz	D497,094	S	10/2004	Rivera et al.
5,896,665	A	4/1999	Harris	D497,095	S	10/2004	Rivera et al.
D410,828	S	6/1999	Rivera	D497,096	S	10/2004	Rivera et al.
D414,097	S	9/1999	Berg et al.	D497,791	S	11/2004	Rivera et al.
D414,393	S	9/1999	Berg et al.	D501,127	S	1/2005	Rivera et al.
5,964,036	A	10/1999	Centofante	2001/0016987	A1	8/2001	Chen
5,978,993	A	11/1999	Rivera	2002/0029426	A1	3/2002	Seber et al.
5,979,059	A	11/1999	Leatherman et al.	2004/0020057	A1	2/2004	Hughes
5,983,686	A	11/1999	Lee	2004/0020058	A1	2/2004	Vallotoon
D422,477	S	4/2000	Elishewitz	2004/0064953	A1	4/2004	Cheng

2004/0078981 A1 4/2004 Cheng
2004/0088865 A1 5/2004 Onion

OTHER PUBLICATIONS

CRKT, M16 Folding Knife, photocopy of photos taken of product, on sale at least as early as Jun. 2004.

Buck Knives, "Rush" Assisted Opening Folding Knife, photocopy of photos taken of product, on sale at least as early as Jun. 2004.

Colt, "Cobra" CT-49 Folding Knife, photocopy of photos taken of product, on sale at least as early as Jun. 2004.

Buck Knives, 437GRX Knife and Carrying Loop with Spring Gate, photocopy of photos posted on website on sale at least as early as Aug. 20, 2004.

Buck Knives, 760BKX Knife with Carrying Loop with Spring Gate, photocopy of photos posted on website, on sale at least as early as Aug. 20, 2004.

Bucks Knives, "Metro" Folding Knife, photocopies of photos taken of product, on sale at least as early as Aug. 2004.

Buck Knives, "Approach" Folding Knife, photocopies of photos taken of product, on sale at least as early as Aug. 2004.

Schrade, SS1, Small Folding Knife with Hook and Flat Spring Gate Hook Closure, photocopies of photos taken of product, on sale at least as early as Aug. 2004.

Kershaw, "National Geographic" Combination Carabiner and Multipurpose Tool, photocopies of photos taken of product, on sale at least as early as Aug. 2004.

SPYDERCO, Lock Back Folding Knife with Wire Spring Gate-Hook, photocopies of photos taken of product, on sale at least as early as Aug. 2004.

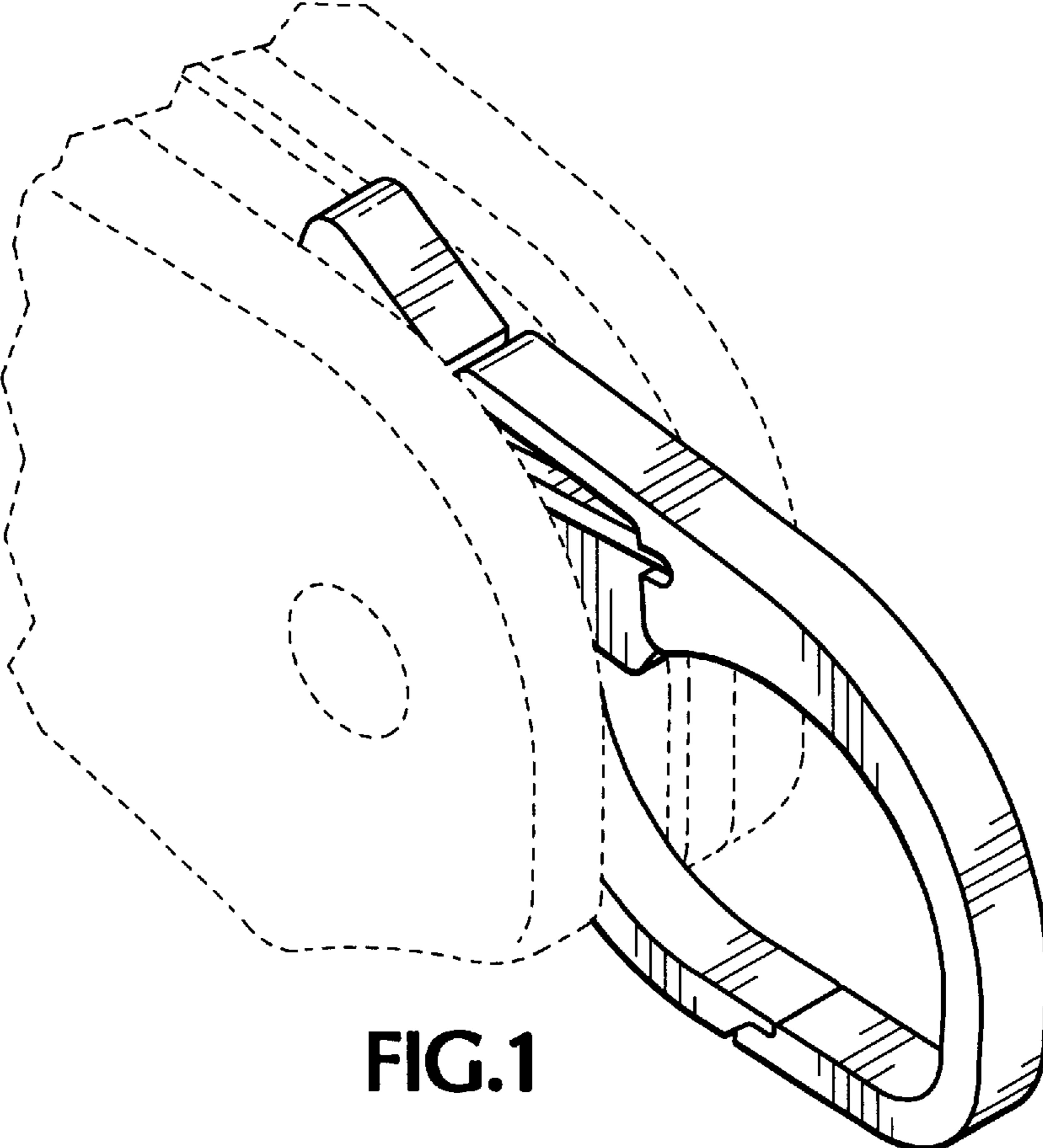


FIG. 1

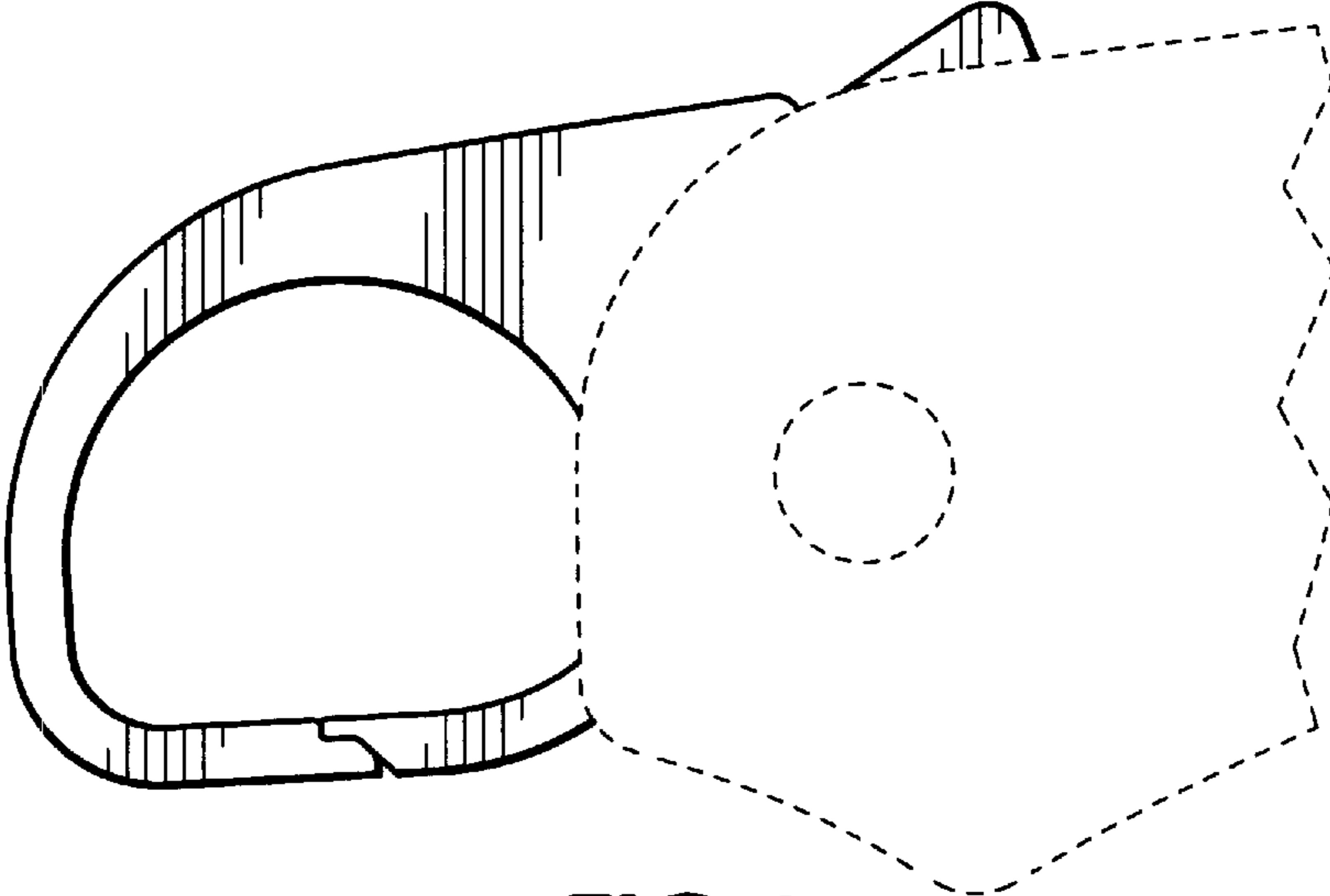


FIG. 6

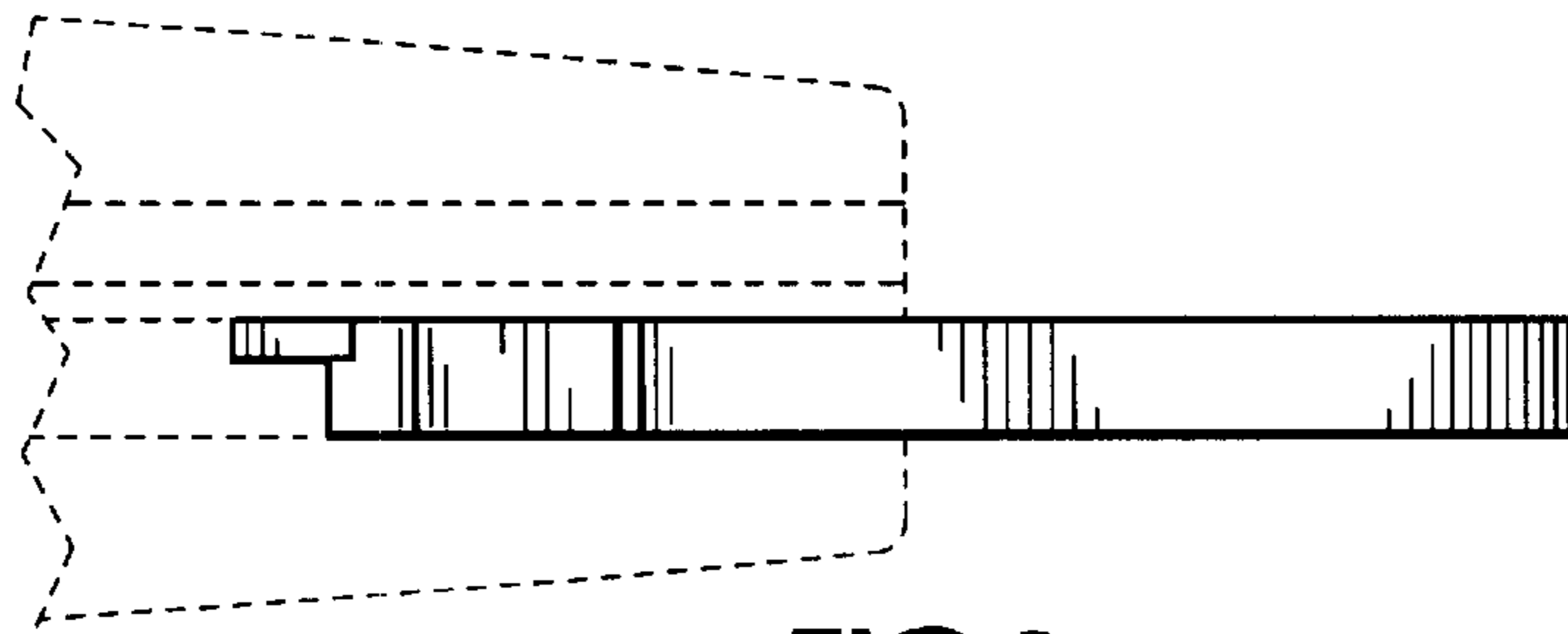


FIG. 3

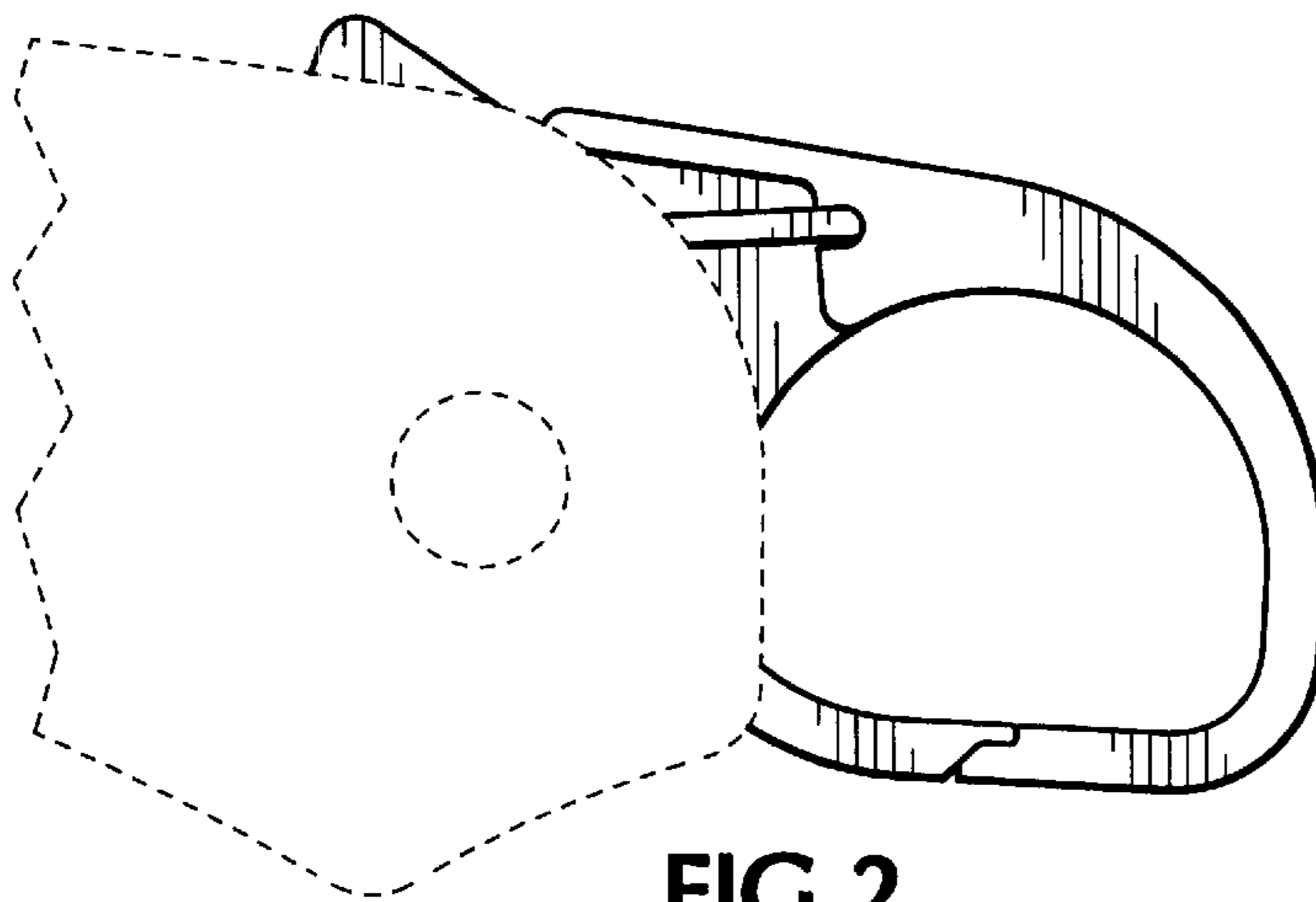


FIG. 2

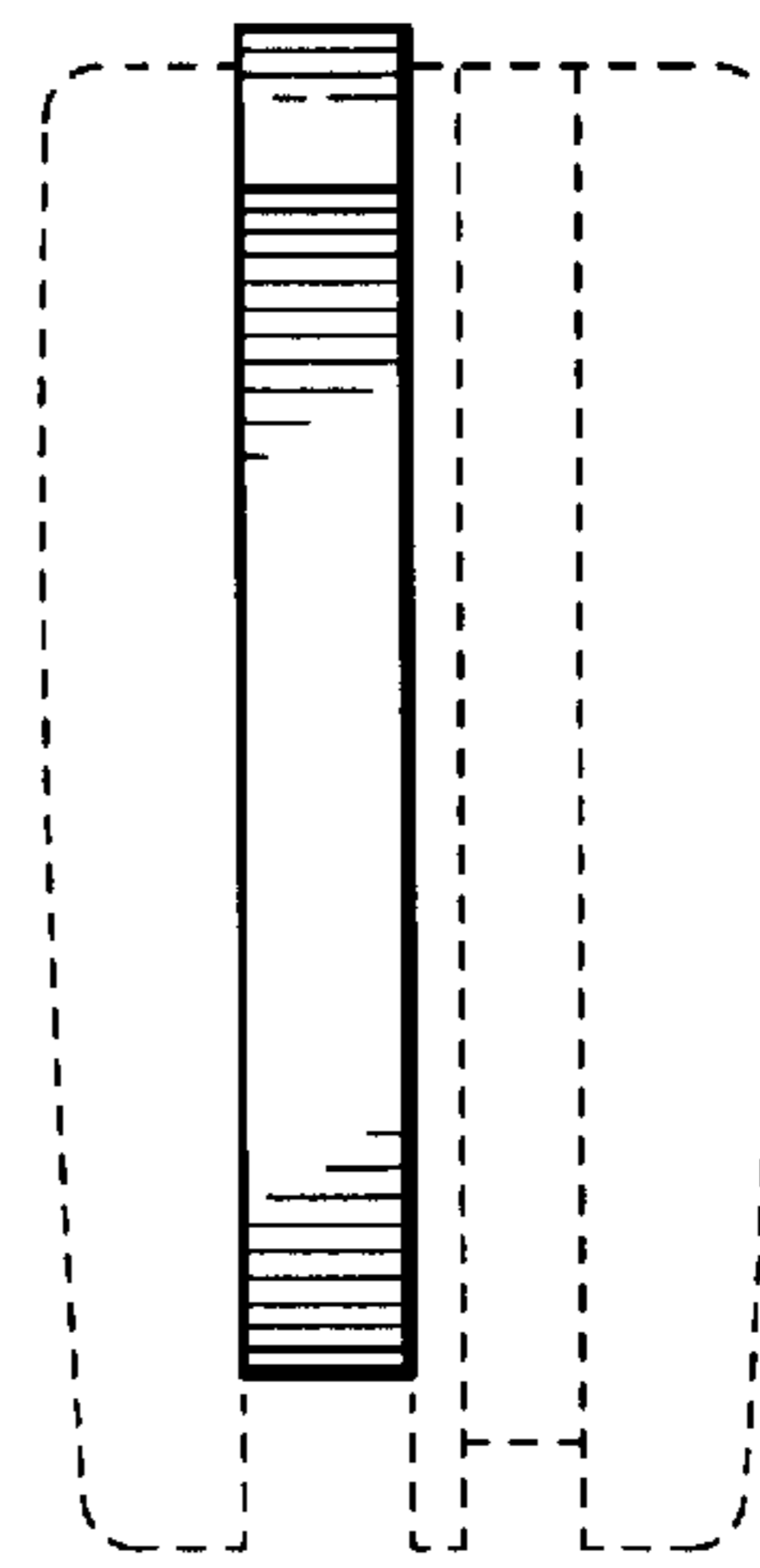


FIG. 5

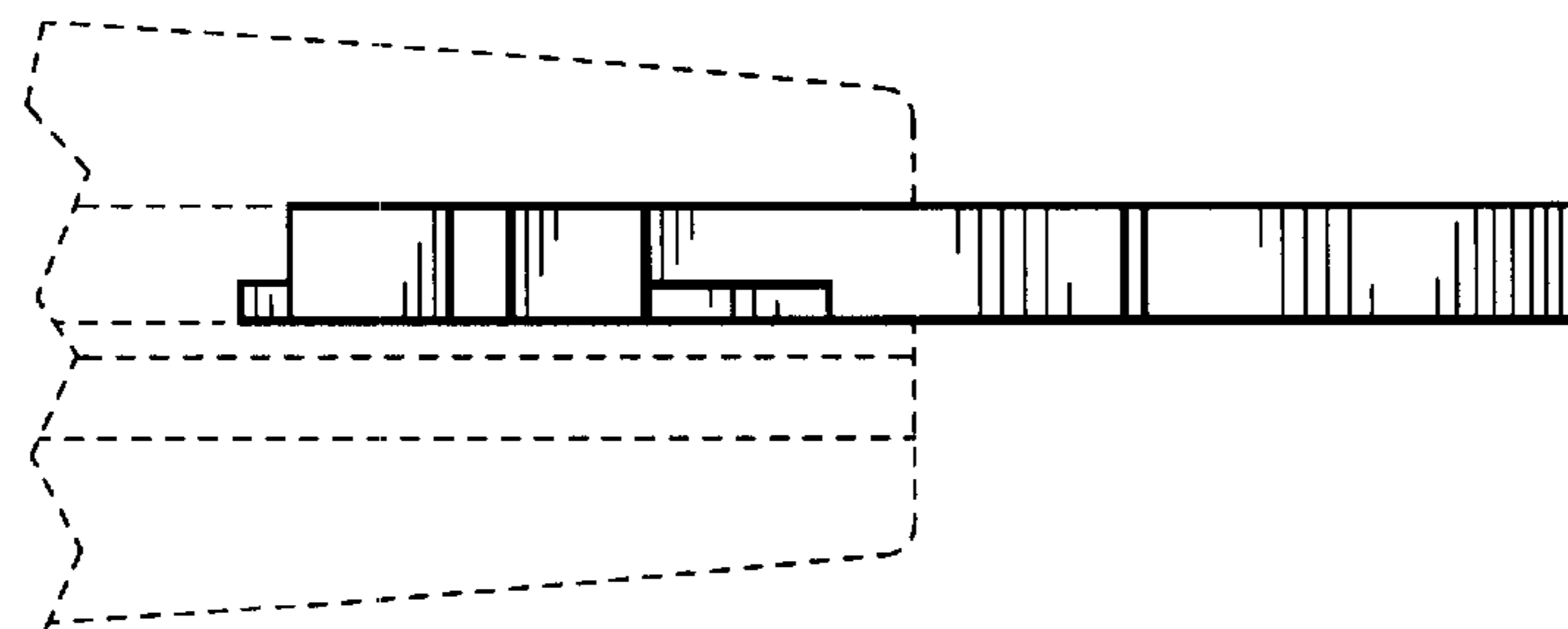


FIG. 4